

Official Journal

of the European Union

ISSN 1725-2423

C 92 E

Volume 47

16 April 2004

English edition

Information and Notices

Notice No

Contents

Page

I (Information)

EUROPEAN PARLIAMENT

2003 — 2004 SESSION

Sittings of 12 to 15 January 2004

Monday 12 January 2004

(2004/C 92 E/01)

MINUTES

PROCEEDINGS OF THE SITTING	1
1. Resumption of session	1
2. Announcements by the President	1
3. Approval of Minutes of previous sitting	1
4. Withdrawal of a Member's parliamentary rights	2
5. Documents received	2
6. Petitions	6
7. Texts of agreements forwarded by the Council	7
8. Order of business	7
9. Decision on urgent procedure (Rule 112) (vote)	8
10. One-minute speeches on matters of political importance	8
11. Air safety and the EU-US agreement on the transmission of personal data relative to transatlantic flights (statement followed by debate)	9
12. Introduction of sanctions for pollution offences ***I — Transfer of cargo and passenger ships between registers ***I — Combating ship-source pollution * (debate)	9

EN

(Continued)

Contents (<i>continued</i>)	Page
13. Management of nuclear waste * — Safety of nuclear installations * (debate)	10
14. Euratom loans for nuclear power stations * (debate)	11
15. Agenda for next sitting	11
16. Closure of sitting	11
ATTENDANCE REGISTER	12

Tuesday 13 January 2004

(2004/C 92 E/02)

MINUTES

PROCEEDINGS OF THE SITTING	14
1. Opening of sitting	14
2. Documents received	14
3. Debate on cases of breaches of human rights, democracy and the rule of law (announcement of motions for resolutions tabled)	14
4. Decision on urgent procedure	15
5. Services of general interest (debate)	15
6. The operating framework for the European Regulatory Agencies (debate)	16
7. Prospects for the Doha Development Round after the WTO General Council meeting of 15 December 2003 (statement followed by debate)	16
8. Agenda	17
9. Voting time	17
9.1. Community plant variety rights * (Rule 110a)(vote)	17
9.2. Controls on fishing for certain highly migratory fish * (Rule 110a) (vote)	17
9.3. Technical conservation measures for certain highly migratory species * (Rule 110a)(vote)	18
9.4. New narcotic and synthetic drugs * (Rule 110a)(vote)	18
9.5. UN convention and protocols against transnational organised crime, smuggling of migrants and trafficking in persons * (Rule 110a)(vote)	18
9.6. Combating ship-source pollution * (Rule 110a) (vote)	19
9.7. Introduction of sanctions for pollution offences ***I (vote)	19
9.8. Transfer of cargo and passenger ships between registers ***I (vote)	19
9.9. Management of nuclear waste * (vote)	20
9.10. Safety of nuclear installations * (vote)	20
9.11. Euratom loans for nuclear power stations * (vote)	21
9.12. Arctic agriculture (vote)	21
9.13. The operating framework for the European Regulatory Agencies (vote)	21
10. Explanations of vote	22
11. Corrections to votes	22
12. Approval of Minutes of previous sitting	23
13. Written declarations (Rule 51)	23



Contents (<i>continued</i>)	Page
14. Prospects for the Doha Development Round after the WTO General Council meeting of 15 December 2003 (continuation of debate)	24
15. Illegal trade in bushmeat (debate)	24
16. EU aid to Iran following the earthquake (statement followed by debate)	24
17. Tuna (debate)	25
18. Agenda	25
19. Question Time (Commission)	26
20. Services in the internal market (Commission communication)	27
21. Detergents ***II (debate)	27
22. Health issues and poverty reduction (debate)	28
23. NEPAD (debate)	28
24. Cultural diversity (debate)	29
25. Agenda for next sitting	29
26. Closure of sitting	29
 ATTENDANCE REGISTER	 30
 ANNEX I	
RESULTS OF VOTES	32
1. Community plant variety rights *	32
2. Controls on fishing for certain highly migratory fish *	32
3. Technical conservation measures for certain highly migratory species *	33
4. New narcotic and synthetic drugs *	33
5. UN convention and protocols against transnational organised crime, smuggling of migrants and trafficking in persons	33
6. Combating ship-source pollution *	33
7. Introduction of sanctions for pollution offences ***	33
8. Transfer of cargo and passenger ships between registers ***	35
9. Management of nuclear waste *	35
10. Safety of nuclear installations *	36
11. Euratom loans for nuclear power stations *	38
12. Arctic agriculture	38
13. The operating framework for the European Regulatory Agencies	39
 ANNEX II	
RESULT OF ROLL-CALL VOTES	40
Daul report A5-0482/2003 — Resolution	40
Pex report A5-0388/2003 — Amendment 6, 1st part	41
Pex report A5-0388/2003 — Amendment 6, 2nd part	42
Pex report A5-0388/2003 — Amendment 22	43
Pex report A5-0388/2003 — Amendment 27	45
Pex report A5-0388/2003 — Amendment 28	46
Poignant report A5-0413/2003 — Amendment 1	47
Poignant report A5-0413/2003 — Amendment 2	49

(Continued)

Contents (<i>continued</i>)	Page
Vidal-Quadras Roca report A5-0442/2003 — Amendment 16	50
Vidal-Quadras Roca report A5-0442/2003 — Amendment 19	52
Vidal-Quadras Roca report A5-0442/2003 — Amendment 20	53
Vidal-Quadras Roca report A5-0442/2003 — Amendment 26	54
Vidal-Quadras Roca report A5-0442/2003 — Amendment 13	56
Seppänen report A5-0441/2003 — Amendment 11	57
Seppänen report A5-0441/2003 — Amendment 28	59
Seppänen report A5-0441/2003 — Amendment 29	60
Seppänen report A5-0441/2003 — Amendment 30	62
Breyer report A5-0443/2003 — Amendment 19	63
Pesälä report A5-0463/2003 — Resolution	64

TEXTS ADOPTED

P5_TA(2004)0001

Plant variety rights *

European Parliament legislative resolution on the proposal for a Council regulation amending Regulation (EC) No 2100/94 on Community plant variety rights (COM(2003) 456 — C5-0573/2003 — 2003/0161(CNS)) 66

P5_TA(2004)0002

Controls on fishing for certain highly migratory fish *

European Parliament legislative resolution on the amended proposal for a Council Regulation amending Regulation (EC) No 1936/2001 of 27 September 2001 laying down control measures applicable to fishing for certain stocks of highly migratory fish (COM(2002) 421 — C5-0406/2002 — COM(2003) 417 — C5-0479/2003 — 2002/0186(CNS)) 66

P5_TA(2004)0003

Technical conservation measures for certain highly migratory species *

European Parliament legislative resolution on the amended proposal for a Council Regulation amending Regulation (EC) No 973/2001 laying down certain technical measures for the conservation of certain stocks of highly migratory species (COM(2002) 420 — C5-0407/2002 — COM(2003) 421 — C5—0429/2003 — 2002/0189(CNS)) 67

P5_TA(2004)0004

New narcotic and synthetic drugs *

European Parliament legislative resolution on the Commission proposal for a Council decision on the information exchange, risk-assessment and the control on new narcotic drugs and new synthetic drugs (COM(2003) 560 — C5-0516/2003 — 2003/0215(CNS)) 68

P5_TA(2004)0005

Convention against transnational organised crime *

European Parliament legislative resolution on the proposal for a Council decision on the conclusion, on behalf of the European Community, of the United Nations Convention Against Transnational Organised Crime (COM(2003) 512 — C5-0487/2003 — 2003/0195(CNS)) 74

Contents (<i>continued</i>)	Page
P5_TA(2004)0006	
Convention against transnational organised crime (Protocol on migrants)*	
European Parliament legislative resolution on the proposal for a Council decision on the conclusion, on behalf of the European Community, of the Protocol Against the Smuggling of Migrants by Land, Sea and Air, supplementing the United Nations Convention Against Transnational Organised Crime (COM(2003) 512 — C5-0488/2003 — 2003/0196(CNS))	75
 P5_TA(2004)0007	
Convention against transnational organised crime (Protocol on trafficking in persons) *	
European Parliament legislative resolution on the proposal for a Council decision on the conclusion, on behalf of the European Community, of the Protocol to Prevent, Suppress and Punish Trafficking in Persons, Especially Women And Children, supplementing the United Nations Convention Against Transnational Organised Crime (COM(2003) 512 — C5-0489/2003 — 2003/0197(CNS))	75
 P5_TA(2004)0008	
Enforcement of law against ship-source pollution *	
European Parliament legislative resolution on the proposal for a Council framework decision to strengthen the criminal law framework for the enforcement of the law against ship-source pollution (COM(2003) 227 — C5-0244/2003 — 2003/0088(CNS))	76
 P5_TA(2004)0009	
Sanctions for pollution offences ***I	
European Parliament legislative resolution on the proposal for a European Parliament and Council directive on ship-source pollution and on the introduction of sanctions, including criminal sanctions, for pollution offences (COM(2003) 92 — C5-0076/2003 — 2003/0037(COD))	77
 P5_TC1-COD(2003)0037	
Position of the European Parliament adopted at first reading on 13 January 2004 with a view to the adoption of Directive 2004/.../EC of the European Parliament and of the Council on ship-source pollution and on the introduction of sanctions, including criminal sanctions, for pollution offences	77
 ANNEX I	
SUMMARY, FOR REFERENCE PURPOSES, OF THE MARPOL 73/78 DISCHARGE REGULATIONS RELATING TO DISCHARGES OF OIL AND NOXIOUS LIQUID SUBSTANCES, AS REFERRED TO IN ARTICLE 2(2)	84
Part I: Oil (Marpol 73/78, Annex I)	84
Part II: Noxious liquid substances (Marpol 73/78 Annex II)	86
 ANNEX II	
NON-EXHAUSTIVE LIST OF IRREGULARITIES OR INFORMATION, AS REFERRED TO IN ARTICLE 4(1)	90
 P5_TA(2004)0010	
Transfer of cargo and passenger ships between registers ***I	
European Parliament legislative resolution on the proposal for a European Parliament and Council regulation on the transfer of cargo and passenger ships between registers within the Community (COM(2003) 478 — C5-0366/2003 — 2003/0180(COD))	91

Contents (<i>continued</i>)	Page
P5_TC1-COD(2003)0180	
Position of the European Parliament adopted at first reading on 13 January 2004 with a view to the adoption of European Parliament and Council Regulation (EC) No .../2004 on the transfer of cargo and passenger ships between registers within the Community	91
 P5_TA(2004)0011	
Management of nuclear waste *	
European Parliament legislative resolution on the proposal for a Council Directive (Euratom) on the management of spent nuclear fuel and radioactive waste (COM(2003) 32 — C5-0229/2003 — 2003/0022(CNS))	97
 P5_TA(2004)0012	
Nuclear safety *	
European Parliament legislative resolution on the proposal for a Council (Euratom) directive setting out basic obligations and general principles on the safety of nuclear installations (COM(2003) 32 — C5-0228/2003 — 2003/0021(CNS))	104
 P5_TA(2004)0013	
Euratom loans for nuclear power stations *	
European Parliament legislative resolution on the proposal for a Council decision amending Decision 77/270/Euratom empowering the Commission to issue Euratom loans for the purpose of contributing to the financing of nuclear power stations (COM(2002) 456 — C5-0570/2002 — 2002/0246(CNS))	112
 P5_TA(2004)0014	
Arctic agriculture	
European Parliament resolution on Arctic agriculture (2003/2051(INI))	115
 P5_TA(2004)0015	
The operating framework for the European Regulatory Agencies	
European Parliament resolution on the communication from the Commission: 'The operating framework for the European regulatory agencies' (COM(2002) 718 — 2003/2089(INI))	119

Wednesday 14 January 2004

(2004/C 92 E/03)

MINUTES	
PROCEEDINGS OF THE SITTING	125
1. Opening of sitting	125
2. Texts of agreements forwarded by the Council	125
3. Programme of the Irish presidency (statement followed by debate)	125
4. Voting time	126
4.1. Tuna (Rule 110a) (vote)	126
4.2. Detergents ***II (vote)	126
4.3. Services of general interest (vote)	126
4.4. Illegal trade in bushmeat (vote)	127
4.5. Health issues and poverty reduction (vote)	127
4.6. NEPAD (vote)	128
4.7. Cultural diversity (vote)	128
4.8. Equal opportunities for women and men in the European Union (vote)	128

Contents (<i>continued</i>)	Page
5. Explanations of vote	129
6. Corrections to votes	129
7. Approval of Minutes of previous sitting	132
8. Preparations for the 60 th session of the UN Commission on Human Rights (statements followed by debate)	132
9. Immigration, integration and employment (debate)	132
10. Question Time (Council)	133
11. Illegal immigration, smuggling and trafficking of human beings (debate)	134
12. Job creation by the service sector (debate)	134
13. Implementation of Directive 96/71/EC (debate)	134
14. Harassment at the workplace (Oral question with debate)	135
15. Agenda for next sitting	135
16. Closure of sitting	135
 ATTENDANCE REGISTER	 136
 ANNEX I	
RESULTS OF VOTES	138
1. Tuna	138
2. Detergents ***II	138
3. Services of general interest	139
4. Illegal trade in bushmeat	144
5. Health issues and poverty reduction	144
6. NEPAD	144
7. Cultural diversity	145
8. Equal opportunities for women and men in the European Union	146
 ANNEX II	
RESULT OF ROLL-CALL VOTES	147
Nobilia report A5-0455/2003 — Block 3	147
Nobilia report A5-0455/2003 — Amendment 35/rev.	148
Herzog report A5-0484/2003 — Amendment 38	149
Herzog report A5-0484/2003 — Amendment 12/rev.	151
Herzog report A5-0484/2003 — Amendment 57	152
Herzog report A5-0484/2003 — Amendment 18, 1st part	154
Herzog report A5-0484/2003 — Amendment 18, 2nd part	155
Herzog report A5-0484/2003 — Amendment 19	157
Herzog report A5-0484/2003 — Amendment 20	158
Herzog report A5-0484/2003 — Amendment 40	160
Herzog report A5-0484/2003 — Amendment 21	161
Herzog report A5-0484/2003 — Amendment 13	162
Herzog report A5-0484/2003 — Amendment 22	164
Herzog report A5-0484/2003 — Amendment 41	165
Herzog report A5-0484/2003 — Amendment 23	167
Herzog report A5-0484/2003 — Amendment 14, 1st part	168
Herzog report A5-0484/2003 — Amendment 14, 2nd part	169
Herzog report A5-0484/2003 — Amendment 14, 3rd part	171

Contents (<i>continued</i>)	Page
Herzog report A5-0484/2003 — Paragraph 13	172
Herzog report A5-0484/2003 — Paragraph 14	174
Herzog report A5-0484/2003 — Amendment 42	175
Herzog report A5-0484/2003 — Paragraph 18	177
Herzog report A5-0484/2003 — Amendment 43	178
Herzog report A5-0484/2003 — Amendment 25	179
Herzog report A5-0484/2003 — Amendment 44	181
Herzog report A5-0484/2003 — Amendment 26	182
Herzog report A5-0484/2003 — Amendment 78	184
Herzog report A5-0484/2003 — Amendment 45, 1st part	185
Herzog report A5-0484/2003 — Amendment 45, 2nd part	187
Herzog report A5-0484/2003 — Amendment 45, 3rd part	188
Herzog report A5-0484/2003 — Amendment 46	189
Herzog report A5-0484/2003 — Amendment 27	191
Herzog report A5-0484/2003 — Paragraph 24	192
Herzog report A5-0484/2003 — Amendment 28	194
Herzog report A5-0484/2003 — Amendment 87	195
Herzog report A5-0484/2003 — Amendment 29	197
Herzog report A5-0484/2003 — Amendment 47	198
Herzog report A5-0484/2003 — Paragraph 32	200
Herzog report A5-0484/2003 — Amendment 92	201
Herzog report A5-0484/2003 — Amendment 31, 1st part	203
Herzog report A5-0484/2003 — Amendment 31, 2nd part	204
Herzog report A5-0484/2003 — Amendment 32	205
Herzog report A5-0484/2003 — Amendment 33	207
Herzog report A5-0484/2003 — Amendment 34	208
Herzog report A5-0484/2003 — Amendment 35	210
Herzog report A5-0484/2003 — Amendment 49	211
Herzog report A5-0484/2003 — Paragraph 45	213
Herzog report A5-0484/2003 — Amendment 103	214
Herzog report A5-0484/2003 — Amendment 51	216
Herzog report A5-0484/2003 — Paragraph 51	217
Herzog report A5-0484/2003 — Amendment 36	219
Herzog report A5-0484/2003 — Amendment 50	220
Herzog report A5-0484/2003 — Amendment 109	222
Herzog report A5-0484/2003 — Paragraph 52, 1st part	223
Herzog report A5-0484/2003 — Paragraph 52, 2nd part	224
Herzog report A5-0484/2003 — Amendment 16	226
Herzog report A5-0484/2003 — Amendment 4	227
Herzog report A5-0484/2003 — Recital U, 1st part	229
Herzog report A5-0484/2003 — Recital U, 2nd part	230
Herzog report A5-0484/2003 — Amendment 17	231
Herzog report A5-0484/2003 — Amendment 37	233
Herzog report A5-0484/2003 — Resolution	234
Sandbæk report A5-0474/2003 — Resolution	236

(Continued)



Contents (<i>continued</i>)	Page
Bébéar report A5-0329/2003 — Amendment 2	237
Bébéar report A5-0329/2003 — Amendment 4	238
Prets report A5-0477/2003 — Amendment 4	239
Prets report A5-0477/2003 — Amendment 3	241
Prets report A5-0477/2003 — Amendment 5	242
Prets report A5-0477/2003 — Resolution	243
Swiebel report A5-0481/2003 — Paragraph 11, 2nd part	245
TEXTS ADOPTED	
P5_TA(2004)0016	
Tuna	
European Parliament resolution on the tuna fleet and industry: situation and future prospects in the EU and worldwide (2003/2017(INI))	247
P5_TA(2004)0017	
Detergents ***II	
European Parliament legislative resolution on the Council common position with a view to adopting a European Parliament and Council regulation on detergents (10595/3/2003 — C5-0521/2003 — 2002/0216(COD))	252
P5_TC2-COD(2002)0216	
Position of the European Parliament adopted at second reading on 14 January 2004 with a view to adopting European Parliament and Council Regulation (EC) No .../2004 on detergents	253
ANNEX I	
Standards of accreditation, good laboratory practice and animal protection concerning the laboratories that are competent and authorised to provide the necessary service for checking compliance of detergents with the requirements of this Regulation and its Annexes	265
ANNEX II	
Primary biodegradability test methods for surfactants in detergents	266
TEST METHODS	266
ANNEX III	
Ultimate biodegradability (mineralisation) test methods for surfactants in detergents	267
ANNEX IV	
Complementary risk assessment for surfactants in detergents	268
ANNEX V	
List of surfactants that have obtained a derogation	271
ANNEX VI	
List of banned or restricted detergent surfactants	271
ANNEX VII	
Labelling and ingredient datasheet	271

(Continued)

Contents (<i>continued</i>)	Page
ANNEX VIII	
Test methods and analytical methods	274
Activated sludge plant: overviews	289
Activated sludge plant: detail	290
Calculation of biodegradability — Confirmatory test	291
Heated exchange column	292
Gas stripping apparatus	293
P5_TA(2004)0018	
Services of general interest	
European Parliament resolution on the Green Paper on services of general interest (COM(2003) 270 — 2003/2152(INI))	294
P5_TA(2004)0019	
Illegal trade in bushmeat	
European Parliament resolution on Petition 461/2000 concerning the protection and conservation of Great Apes and other species endangered by the illegal trade in bushmeat (2003/2078(INI))	302
P5_TA(2004)0020	
Health issues and poverty reduction	
European Parliament resolution on the Commission communication on the update of the EC Programme for Action: accelerated action on HIV/AIDS, malaria and tuberculosis in the context of poverty reduction; outstanding policy issues and future challenges (COM(2003) 93 — 2003/2146(INI))	307
P5_TA(2004)0021	
NEPAD	
European Parliament resolution on the New Partnership for Africa's Development (NEPAD) (2003/2106(INI))	315
P5_TA(2004)0022	
Cultural diversity	
European Parliament resolution on preserving and promoting cultural diversity: the role of the European regions and international organisations such as UNESCO and the Council of Europe (2002/2269(INI))	322
P5_TA(2004)0023	
Annual Report on equal opportunities (2002)	
European Parliament resolution on Equal Opportunities for Women and Men in the European Union (2003/2011(INI))	329

Thursday 15 January 2004

(2004/C 92 E/04)

MINUTES

PROCEEDINGS OF THE SITTING	334
1. Opening of sitting	334
2. Documents received	334
3. Recognition of professional qualifications ***I (debate)	336



(Continued)

Contents (<i>continued</i>)	Page
4. Mutual assistance in direct and indirect taxation ***I — Hedge funds and derivatives (debate) . .	337
5. Voting time	337
5.1. Dock dues in the French overseas departments * (Rule 110a) (vote)	338
5.2. VAT on certain highly labour-intensive services * (Rule 110a) (vote)	338
5.3. Mutual assistance in direct and indirect taxation ***I (Rule 110a) (vote)	338
5.4. Job creation by the service sector (Rule 110a) (vote)	338
5.5. Immigration, integration and employment (vote)	339
5.6. Illegal immigration, smuggling and trafficking of human beings (vote)	339
5.7. Implementation of Directive 96/71/EC (vote)	339
5.8. Hedge funds and derivatives (vote)	340
5.9. EU aid to Iran following the earthquake (vote)	340
6. Explanations of vote	340
7. Corrections to votes	341
8. Approval of Minutes of previous sitting	342
9. Copyright (debate)	342
10. Zimbabwe (debate)	342
11. Burundi (debate)	343
12. Haïti (debate)	343
13. Voting time	343
13.1. Zimbabwe (vote)	343
13.2. Burundi (vote)	344
13.3. Haïti (vote)	344
13.4. Copyright (vote)	345
14. Communication of common positions of the Council	345
15. Deadline for the tabling of amendments	347
16. Cooperation between committees — amendment of title of report	348
17. Written declarations included in the register (Rule 51)	348
18. Forwarding of texts adopted during the sitting	349
19. Dates for next sittings	349
20. Adjournment of session	349
 ATTENDANCE REGISTER	 350
 ANNEX I	
RESULTS OF VOTES	352
1. Dock dues in the French overseas department *	352
2. VAT on certain highly labour-intensive services *	352
3. Mutual assistance in direct and indirect taxation ***I	353
4. Job creation by the service sector	353
5. Immigration, integration and employment	353
6. Illegal immigration, smuggling and trafficking of human beings	355
7. Implementation of Directive 96/71/EC	356
8. Hedge funds and derivatives	356
9. EU aid to Iran following the earthquake	357

Contents (<i>continued</i>)	Page
10. Zimbabwe	358
11. Burundi	359
12. Haiti	359
13. Copyright	360
 ANNEX II	
RESULT OF ROLL-CALL VOTES	361
Moraes report A5-0445/2003 — Amendment 11	361
Moraes report A5-0445/2003 — Amendment 4	362
Moraes report A5-0445/2003 — Paragraph 32, 1st part	363
Moraes report A5-0445/2003 — Paragraph 32, 2nd part	364
Moraes report A5-0445/2003 — Resolution	366
Pirker report A5-0419/2003 — Paragraph 4	367
Pirker report A5-0419/2003 — Amendment 3	368
Pirker report A5-0419/2003 — Amendment 4	369
Pirker report A5-0419/2003 — Paragraph 17	371
Pirker report A5-0419/2003 — Amendment 5, 1st part	372
Pirker report A5-0419/2003 — Amendment 5, 2nd part	373
Pirker report A5-0419/2003 — Recital G	375
Glase report A5-0448/2003 — Amendment 2	376
Glase report A5-0448/2003 — Amendment 3	377
Purvis report A5-0476/2003 — Resolution	378
B5-0016/2004 — RC — Zimbabwe	380
B5-0014/2004 — RC — Burundi	380
B5-0015/2004 — RC — Haiti	381

TEXTS ADOPTED

P5_TA(2004)0024

Dock dues in the French overseas departments *

Proposal for a Council decision on the system of dock dues in the French overseas departments and extending Decision 89/688/EEC (COM(2003) 792 — C5-0656/2003 — 2003/0308(CNS)) 382

P5_TA(2004)0025

VAT on certain highly labour-intensive services *

European Parliament legislative resolution on the proposal for a Council directive amending Directive 77/388/EEC to extend the facility allowing Member States to apply reduced rates of VAT to certain labour-intensive services (COM(2003) 825 — C5-0653/2003 — 2003/0317(CNS)) 382

P5_TA(2004)0026

Mutual assistance in direct and indirect taxation ***I

European Parliament legislative resolution on the proposal for a European Parliament and Council directive amending Directive 77/799/EEC concerning mutual assistance by the competent authorities of the Member States in the field of direct and indirect taxation (COM(2003) 446 — C5-0370/2003 — 2003/0170(COD)) 383

Contents (<i>continued</i>)	Page
P5_TA(2004)0027	
Job creation by the service sector	
European Parliament resolution on the development of the services sector for job creation (2003/2132(INI))	383
 P5_TA(2004)0028	
Immigration, integration and employment	
European Parliament resolution on the Communication from the Commission on immigration, integration and employment (COM(2003) 336 — 2003/2147(INI))	390
 P5_TA(2004)0029	
Illegal immigration, smuggling and trafficking of human beings	
European Parliament resolution on the communication from the Commission to the European Parliament and the Council in view of the European Council of Thessaloniki on the development of a common policy on illegal immigration, smuggling and trafficking of human beings, external borders and the return of illegal residents (COM(2003) 323 — 2003/2156(INI))	400
 P5_TA(2004)0030	
Implementation of Directive 96/71/EC	
European Parliament resolution on the implementation of Directive 96/71/EC in the Member States (COM(2003) 458 — 2003/2168(INI))	404
 P5_TA(2004)0031	
Hedge funds and derivatives	
European Parliament resolution on the future of hedge funds and derivatives (2003/2082 (INI)) . . .	407
 P5_TA(2004)0032	
EU aid to Iran following the earthquake	
European Parliament resolution on EU aid to Iran following the earthquake	414
 P5_TA(2004)0033	
Zimbabwe	
European Parliament resolution on Zimbabwe	417
 P5_TA(2004)0034	
Burundi	
European Parliament resolution on the situation in Burundi	421
 P5_TA(2004)0035	
Haiti	
European Parliament resolution on Haiti	423
 P5_TA(2004)0036	
Copyright	
European Parliament resolution on a Community framework for collective management societies in the field of copyright and neighbouring rights (2002/2274(INI))	425

Key to symbols used

*	Consultation procedure
**I	Cooperation procedure: first reading
**II	Cooperation procedure: second reading
***	Assent procedure
***I	Codecision procedure: first reading
***II	Codecision procedure: second reading
***III	Codecision procedure: third reading

(The type of procedure is determined by the legal basis proposed by the Commission)

Information relating to voting time

Unless stated otherwise, the rapporteurs informed the Chair in writing, before the vote, of their position on the amendments.

Abbreviations used for Parliamentary Committees

AFET	Committee on Foreign Affairs, Human Rights, Common Security and Defence Policy
BUDG	Committee on Budgets
CONT	Committee on Budgetary Control
LIBE	Committee on Citizens' Freedoms and Rights, Justice and Home Affairs
ECON	Committee on Economic and Monetary Affairs
JURI	Committee on Legal Affairs and the Internal Market
ITRE	Committee on Industry, External Trade, Research and Energy
EMPL	Committee on Employment and Social Affairs
ENVI	Committee on the Environment, Public Health and Consumer Policy
AGRI	Committee on Agriculture and Rural Development
PECH	Committee on Fisheries
RETT	Committee on Regional Policy, Transport and Tourism
CULT	Committee on Culture, Youth, Education, the Media and Sport
DEVE	Committee on Development and Cooperation
AFCO	Committee on Constitutional Affairs
FEMM	Committee on Women's Rights and Equal Opportunities
PETI	Committee on Petitions

Abbreviations used for Political Groups

PPE-DE	Group of the European People's Party (Christian Democrats) and European Democrats
PSE	Group of the Party of European Socialists
ELDR	Group of the European Liberal, Democrat and Reform Party
Verts/ALE	Group of the Greens/European Free Alliance
GUE/NGL	Confederal Group of the European United Left/Nordic Green Left
UEN	Union for a Europe of Nations Group
EDD	Group for a Europe of Democracies and Diversities
NI	Non-attached Members

Monday 12 January 2004

I*(Information)***EUROPEAN PARLIAMENT**

2003 — 2004 SESSION

Sittings of 12 to 15 January 2004

STRASBOURG

(2004/C 92 E/01)

MINUTES**PROCEEDINGS OF THE SITTING**

IN THE CHAIR: Pat COX

*President***1. Resumption of session**

The sitting opened at 17.05.

2. Announcements by the President

The President referred to the earthquake on 26 December 2003 in the Iranian town of Bam, which had claimed the lives of over 30 000 people. On behalf of Parliament, he expressed his condolences to the families of the victims and his solidarity with the Iranian people.

He also referred to the air disaster which had occurred on 3 January 2004 in the Red Sea. He announced that he had conveyed Parliament's condolences to the families of the victims and to the French authorities.

Parliament observed a minute's silence in memory of the victims.

The President then informed the House that a burst pipe had caused water seepage into the Chamber the previous night, but that the problem had now been resolved.

3. Approval of Minutes of previous sitting

The Minutes of the previous sitting were approved.

Monday 12 January 2004

4. Withdrawal of a Member's parliamentary rights

The President announced that he had received from the French Foreign Minister a letter dated 11 December 2003 including an annex containing a file concerning the withdrawal of the parliamentary rights of Michel Raymond.

Pursuant to the second subparagraph of Rule 7(4), the matter had been referred to the Committee responsible, the JURI Committee.

5. Documents received

The following documents had been received:

1) *from the Council and Commission:*

- Report from the Commission to the European Parliament and the Council on the follow-up to 2001 Discharges (COM(2003) 651 — C5-0536/2003 — 2003/2200(DEC))
referred to responsible: CONT
opinion: All Committees concerned
- Proposal for a Council Directive implementing the principle of equal treatment between women and men in the access to and supply of goods and services (COM(2003) 657 — C5-0654/2003 — 2003/0265(CNS))
referred to responsible: FEMM
opinion: LIBE, ECON, JURI, ITRE
legal basis: Article 13(1) EC
- Proposal for transfer of appropriations 51/2003 between Chapters in Section III — Commission — Part B — of the General Budget for the European Union for the financial year 2003 (SEC(2003) 470 — C5-0655/2003 — 2004/2260(GBD))
referred to responsible: BUDG
legal basis: Article 274 EC
- Proposal for a Council decision concerning the dock dues in the French overseas departments and extending the period of validity of Decision 89/688/EEC (COM(2003) 792 — C5-0656/2003 — 2003/0308(CNS))
referred to responsible: RETT
opinion: ECON
legal basis: Article 299(2) EC
- Proposal for a Council Decision on the conclusion of a Political Dialogue and Cooperation Agreement between the European Community and its Member States, of the one part, and the Andean Community and its member countries, the Republics of Bolivia, Colombia, Ecuador, Peru and the Bolivarian Republic of Venezuela, of the other part (COM(2003) 695 — C5-0657/2003 — 2003/0268(CNS))
referred to responsible: AFET
opinion: ITRE, DEVE
legal basis: Article 181 EC, Article 300(2), 1st subparagraph and (3), 1st subparagraph EC
- Proposal for a Council Decision on the conclusion of a Political Dialogue and Cooperation Agreement between the European Community and its Member States, of the one part, and the Republics of Costa Rica, El Salvador, Guatemala, Honduras, Nicaragua and Panama (COM(2003) 677 — C5-0658/2003 — 2003/0266(CNS))
referred to responsible: AFET
opinion: ITRE, DEVE
legal basis: Article 181 EC, Article 300(2), 1st subparagraph and (3), 1st subparagraph EC

Monday 12 January 2004

- Amended proposal for a Regulation of the European Parliament and of the Council amending Council Regulation (EEC) No 1408/71 on the application of social security schemes to employed persons and their families moving within the Community, and Council Regulation (EEC) No 574/72 fixing the procedure for implementing Regulation (EEC) No 1408/71, in respect of the alignment of rights and the simplification of procedures (COM(2003) 831 — C5-0659/2003 — 2003/0138(COD))

referred to responsible: EMPL
 opinion: JURI, PETI

legal basis: Article 42 EC, Article 308 EC

- Proposal for a Regulation of the European Parliament and of the Council on administrative cooperation in the field of excise duties (COM(2003) 797 — C5-0660/2003 — 2003/0309(COD))

referred to responsible: ECON
 opinion: JURI

legal basis: Article 95 EC

- Proposal for a Directive of the European Parliament and of the Council amending Council Directive 77/799/EEC concerning mutual assistance by the competent authorities of the Member States in the field of direct taxation, certain excise duties and taxation of insurance premiums and Council Directive 92/12/EEC on the general arrangements for products subject to excise duty and on the holding, movement and monitoring of such products (COM(2003) 797 — C5-0661/2003 — 2003/0310(COD))

referred to responsible: ECON
 opinion: JURI

legal basis: Article 95 EC

- Council of the European Union: Initiative of Ireland with a view to adopting a Council Decision amending Decision 2000/820/JHA establishing a European Police College (CEPOL) (15400/2003 — C5-0001/2004 — 2004/0801(CNS))

referred to responsible: LIBE

legal basis: Article 30(1) EU, Article 34(2) EU

- Proposal for a Council Decision authorizing the Member States to sign, ratify or accede to, in the interest of the European Community, the Protocol of 2003 to the International Convention on the Establishment of an International Fund for Compensation for Oil Pollution Damage, 1992, and authorising Austria and Luxembourg, in the interest of the European Community, to accede to the underlying instruments (14389/2003 — C5-0002/2004 — 2003/0209(AVC))

referred to responsible: JURI
 opinion: ENVI, RETT

legal basis: Article 61 EC, Article 67(5) EC, Article 300(2), 1st subparagraph and (3), 2nd subparagraph EC

- Proposal for a Directive of the European Parliament and of the Council on pollution caused by certain dangerous substances discharged into the aquatic environment of the Community (Codified version) (COM(2003) 847 — C5-0003/2004 — 2003/0333(COD))

referred to responsible: JURI
 opinion: ENVI

legal basis: Article 175(1) EC

Monday 12 January 20042) *from the Court of Auditors*

- Report on the financial statements of the European Environment Agency for the financial year 2002, together with the Agency's replies (I5-0031/2003 — C5-0662/2003 — 2003/2256(DEC))

referred to responsible: CONT
opinion: LIBE

3) *from committees, reports:*3.1) *reports:*

- Report on the Commission communication on the update of the EC Programme for Action: accelerated action on HIV/AIDS, malaria and tuberculosis in the context of poverty reduction; outstanding policy issues and future challenges (COM(2003) 93 — C5-0384/2003 — 2003/2146(INI)) — Committee on Development and Cooperation.
Rapporteur: Mrs Sandbæk
(A5-0474/2003).
- Report on the future of Hedge Funds and Derivatives (2003/2082(INI)) — Committee on Economic and Monetary Affairs.
Rapporteur: Mr John Purvis
(A5-0476/2003).
- Report on preserving and promoting cultural diversity: the role of the European regions and international organisations such as UNESCO and the Council of Europe (2002/2269(INI)) — Committee on Culture, Youth, Education, the Media and Sport.
Rapporteur: Mrs Prets
(A5-0477/2003).
- Report on a Community framework for collecting societies for authors' rights (2002/2274(INI)) — Committee on Legal Affairs and the Internal Market.
Rapporteur: Mrs Echerer
(A5-0478/2003).
- Report on the development of the services sector for job creation (2003/2132(INI)) — Committee on Employment and Social Affairs.
Rapporteur: Mrs Kratsa-Tsagaropoulou
(A5-0479/2003).
- Report on the relations between the European Union and the United Nations (2003/2049(INI)) — Committee on Foreign Affairs, Human Rights, Common Security and Defence Policy.
Rapporteur: Mr Laschet
(A5-0480/2003).
- Report on Equal Opportunities for Women and Men in the European Union (COM(2003) 98 — 2003/2011(INI)) — Committee on Women's Rights and Equal Opportunities.
Rapporteur: Mrs Swiebel
(A5-0481/2003).
- * Report on the proposal for a Council regulation amending Regulation (EC) No 2100/94 on Community plant variety rights (COM(2003) 456 — C5-0573/2003 — 2003/0161(CNS)) — (Simplified procedure — Rule 158(1)) — Committee on Agriculture and Rural Development.
Rapporteur: Mr Daul
(A5-0482/2003).

Monday 12 January 2004

- * Report on the Commission proposal for a Council decision on the information exchange, risk-assessment and the control on new narcotic drugs and new synthetic drugs (COM(2003) 560 — C5-0516/2003 — 2003/0215(CNS)) — Committee on Citizens' Freedoms and Rights, Justice and Home Affairs.
Rapporteur: Mr Pirker
(A5-0483/2003).
- Report on the Green Paper on services of general interest (Enhanced cooperation between committees — Rule 162a) (COM(2003) 270 — C5-0376/2003 — 2003/2152(INI)) — Committee on Economic and Monetary Affairs.
Rapporteur: Mr Herzog
(A5-0484/2003).
- * Report 1. on the proposal for a Council decision on the conclusion, on behalf of the European Community, of the United Nations Convention Against Transnational Organised Crime (COM(2003) 512 — C5-0487/2003 — 2003/0195(CNS)); 2. on the proposal for a Council decision on the conclusion, on behalf of the European Community, of the Protocol Against the Smuggling of Migrants by Land, Sea and Air, supplementing the United Nations Convention Against Transnational Organised Crime (COM(2003) 512 — C5-0488/2003 — 2003/0196(CNS)); 3. on the proposal for a Council decision on the conclusion, on behalf of the European Community, of the Protocol to Prevent, Suppress and Punish Trafficking in Persons, Especially Women And Children, supplementing the United Nations Convention Against Transnational Organised Crime (COM(2003) 512 — C5-0489/2003 — 2003/0197(CNS)) — Committee on Citizens' Freedoms and Rights, Justice and Home Affairs.
Rapporteur: Mrs Roure
(A5-0485/2003).
- Report concerning discharge in respect of the implementation of the general budget of the European Union for the 2001 financial year Section VII — Committee of the Regions (SEC(2002) 405 — C5-0247/2002 — 2002/2107(DEC)) — Committee on Budgetary Control.
Rapporteur: Mrs Avilés Perea
(A5-0486/2003).

4) *from Members*

4.1) *oral questions (Rule 42)*

- Stephen Hughes, Proinsias De Rossa and Jan Andersson, on behalf of the PSE Group, to the Commission, on harassment at the workplace (B5-0417/2003).

4.2) *oral questions for Question Time (Rule 43) (B5-0002/2004)*

- McKenna Patricia, Ahern Nuala, Ortuondo Larrea Josu, Casaca Paulo, Schörling Inger, Kinnock Glenys, Kratsa-Tsagaropoulou Rodi, Newton Dunn Bill, Howitt Richard, De Rossa Proinsias, Alavanos Alexandros- Flemming Marialiese, Paasilinna Reino, Doyle Avril, Moraes Claude, Alavanos Alexandros, McKenna Patricia, Bushill-Matthews Philip, Bowis John, García-Margallo y Marfil José Manuel, Corbey Dorette, Wiersma Jan Marinus, Goodwill Robert, Schörling Inger, Kinnock Glenys, Kratsa-Tsagaropoulou Rodi, Thors Astrid, Newton Dunn Bill, Howitt Richard, Zorba Myrsini, Staes Bart, de Roo Alexander, Izquierdo Collado Juan de Dios, Ahern Nuala, Gutiérrez-Cortines Cristina, Jackson Caroline F., Casaca Paulo, Andrews Niall, Bergaz Conesa María Luisa, Ebner Michl, Hatzidakis Konstantinos, Ayuso González María del Pilar, Stihler Catherine, Langenhagen Brigitte, Folias Christos, De Rossa Proinsias, Trakatellis Antonios

4.3) *motions for resolution (Rule 48)*

- Roberta Angelilli on immigration and European citizenship (B5-0001/2004)
referred to responsible: AFCO
opinion: LIBE

Monday 12 January 20044.4) *written declarations for entry in the Register (Rule 51)*

- Richard Howitt, Mario Mantovani, Elizabeth Lynne, Patricia McKenna and Ilda Figueiredo, on the rights of deafblind people (1/2004);
- Marie Anne Isler Béguin, on the environmental insecurity in the EU and the world (2/2004);
- Philip Claeys and Koenraad Dillen, on the lack of a response from the Government of South Africa to the attacks on and murders of white farmers (3/2004).

6. Petitions

The following petitions, which had been entered in the register on the dates shown below, had been forwarded to the committee responsible, pursuant to Rule 174(5):

18 December 2003

- by Mrs Sofia Diamantopoulou (No 1288/2003);
- by Mrs Ekaterini Minogianni (No 1289/2003);
- by Mr Manuel Navarro Lara (Federación Española de profesionales en Naturopatía (FENACO)) (No 1290/2003);
- by Mr Antonio Rubio Viedma (Federación de Asociaciones de Padres de Alumnos de Conservatorios de la Comunidad Valenciana (FAPAC CV)) (No 1291/2003);
- by Mr Angel Ripoll i Farré (No 1292/2003);
- by Mr Adolfo Barrera Salces (Izquierda Unida de Aragón) (No 1293/2003);
- by Mr Juan Antonio Bordeje García (No 1294/2003);
- by Mr Juan José Suárez Crespo (No 1295/2003);
- by Mrs Simone Dessagne (UFC Que Choisir) (No 1296/2003);
- by Mr Robert Chapon (Céramiques du Fayet) (No 1297/2003);
- by Mr Christian Lapeyre (Judo 81) (No 1298/2003);
- by Mr Italo Vito Ugo Di Marco (No 1299/2003);
- by Mrs Alessia Margheritini (No 1300/2003);
- by Mr Massimo De Maria (No 1301/2003);
- by Mr Sanviti Paolo (Centro Prevenzione Crisi Socioculturali) (No 1302/2003);
- by Mr Giovanni Provenzano (No 1303/2003);
- by Mrs Livia Macioce (No 1304/2003);
- by Mr Massimo Segà (No 1305/2003);
- by Mr Antonino Di Trapani (No 1306/2003);
- by Mr Josef Friedrich (No 1307/2003);
- by Mr Friedrich Arnst (No 1308/2003);
- by Mrs Sibylle Abstoss (No 1309/2003);
- by Mr Thomas Stange (No 1310/2003);
- by Mr Norbert Blech (No 1311/2003);
- by Mr Frank Markmann (No 1312/2003);
- by Mr Peter-Andreas Kamphausen (No 1313/2003);
- by Mr Andrea Geat (No 1314/2003);
- by Mr Zahed Iqbal Khan (Jammu Kashmir Liberation Front) (No 1315/2003);

9 January 2004

- by Mr Georg Rom (No 1/2004);
- by Mr Siegfried Großmann (No 2/2004);
- by Mr Friedrich Hinze (No 3/2004);

Monday 12 January 2004

- by Mr Berthold Thuir (VIMAS — Gesellschaft für Energiekostensenkung Bau- und Wirtschaftsplanung) (No 4/2004);
- by Mr Jürgen Schulte-Kump (No 5/2004);
- by Mr Karl Schneider (No 6/2004);
- by Mrs Armgard Walldorf (No 7/2004);
- by Mr Hans-Peter Doepner (No 8/2004);
- by Mr Charles Winfield (No 9/2004);
- by Mrs Gilberte Lenaerts Öberg (No 10/2004);
- by Mr Jonathan Marshall (No 11/2004);
- by Mr Michael Jolly (No 12/2004);
- by Mr Andrew Herman (No 13/2004);
- by Mr Anthony Mullane (No 14/2004);
- by Mr J.C.L. Bakker (Amsterdams Patienten Consumenten Platvorm) (No 15/2004);
- by Mr Patrick Robert O'Brien (No 16/2004);

7. Texts of agreements forwarded by the Council

The Council had forwarded certified true copies of the following documents:

- Agreement concerning the participation of the Czech Republic, the Republic of Estonia, the Republic of Cyprus, the Republic of Latvia, the Republic of Lithuania, the Republic of Hungary, the Republic of Malta, the Republic of Poland, the Republic of Slovenia and the Slovak Republic in the European Economic Area, and final act;
- Framework agreement between the European Community and the European Space Agency;
- Agreement between the European Community and the government of the Republic of Hungary laying down a procedure for the provision of information in the field of technical regulations and of rules on information society services;
- Additional protocol to the agreement between the European Economic Community and the Republic of Iceland consequent on the accession of the Czech Republic, the Republic of Estonia, the Republic of Cyprus, the Republic of Latvia, the Republic of Lithuania, the Republic of Hungary, the Republic of Malta, the Republic of Poland, the Republic of Slovenia and the Slovak Republic to the European Union.

8. Order of business

The next item was the order of business.

Hans-Gert Poettering, on behalf of the PPE-DE Group, who announced that Peter Pex, who had been delayed following an air incident, had asked for the debate on his report (A5-0388/2003) to be held that afternoon as scheduled, and that Cees Bremmer should deputise for him (the President established that there were no objections to this request).

The following spoke: Johannes (Hannes) Swoboda and Evelyne Gebhardt, on behalf of the PSE Group, who asked that the debate on the report by Stefano Zappalà (A5-0470/2003) be held as scheduled on Thursday morning, but that the vote on the report be held over until the next part-session in Brussels.

Monday 12 January 2004

Klaus-Heiner Lehne, deputising for the rapporteur, opposed the request to postpone the vote.

The President took note of that request and pointed out that Parliament would be consulted on the requested change to the agenda at the beginning of voting time the following day, to enable the necessary consultations to take place.

Council request for the application of urgent procedure (Rule 112) for:

- Proposal for a Council decision concerning the dock dues in the French overseas departments and extending the period of validity of Decision 89/688/EEC (COM(2003) 792 — C5-0656/2003 — 2003/0308(CNS)).

Reason for request:

There was risk of a legal vacuum occurring as from 1 January until the adoption of the decision.

Parliament would take a decision on the request for urgent procedure at the beginning of the following day's sitting.

*
* * *

The order of business was thus established.

9. Decision on urgent procedure (Rule 112) (vote)

Request for urgent procedure:

- proposal for a Council Directive amending Directive 77/388/EEC to extend the facility allowing Member States to apply reduced rates of VAT to certain labour-intensive services (COM(2003) 825 — C5-0653/2003 — 2003/0317(CNS) *

Philippe A.R. Herzog, deputising for Christa Randzio-Plath, spoke on behalf of the ECON Committee.

The request for urgent procedure was approved.

The item was added to the agenda for the sitting of Wednesday 14 January 2004.

The deadline for tabling amendments for plenary would be 10:00 on Wednesday.

10. One-minute speeches on matters of political importance

Pursuant to Rule 121a, the following Members who wished to draw the attention of Parliament to matters of political importance spoke for one minute:

Gary Titley, José Ignacio Salafranca Sánchez-Neyra, Hans-Gert Poettering, Nigel Paul Farage, Renzo Imbeni, Jules Maaten, Proinsias De Rossa, Charles Tannock, Ilda Figueiredo, Marco Cappato, Luisa Morgantini, Jean-Thomas Nordmann, Koldo Gorostiaga Atxalandabaso, Gerardo Galeote Quecedo, Ioannis Patakis, Ian Stewart Hudghton, Joan Vallvé, Robert J.E. Evans, John Alexander Corrie, Nuala Ahern and Efstratios Korakas.

Monday 12 January 2004

11. Air safety and the EU-US agreement on the transmission of personal data relative to transatlantic flights (statement followed by debate)

Commission statement: Air safety and the EU-US agreement on the transmission of personal data relative to transatlantic flights

Loyola de Palacio (Vice-President of the Commission) made the statement.

Konstantinos Hatzidakis spoke on behalf of the PPE-DE Group.

IN THE CHAIR: Alejo VIDAL-QUADRAS ROCA

Vice-President

The following spoke: Gerhard Schmid, on behalf of the PSE Group, Johanna L.A. Boogerd-Quaak, on behalf of the ELDR Group, Sylviane H. Ainaridi, on behalf of the GUE/NGL Group, Nelly Maes, on behalf of the Verts/ALE Group, Margie Sudre, Brian Simpson, Dirk Sterckx, Bernard Poignant, Elena Ornella Paciotti, Charlotte Cederschiöld, Jacqueline Foster and Loyola de Palacio.

The debate closed.

12. Introduction of sanctions for pollution offences *I — Transfer of cargo and passenger ships between registers ***I — Combating ship-source pollution *** (debate)

Report on the proposal for a European Parliament and Council directive on ship-source pollution and on the introduction of sanctions, including criminal sanctions, for pollution offences [COM(2003) 92 — C5-0076/2003 — 2003/0037(COD)] — Committee on Regional Policy, Transport and Tourism.

Rapporteur: Peter Pex
(A5-0388/2003)

Report on the proposal for a European Parliament and Council regulation on the transfer of cargo and passenger ships between registers within the Community [COM(2003) 478 — C5-0366/2003 — 2003/0180(COD)] — Committee on Regional Policy, Transport and Tourism.

Rapporteur: Bernard Poignant
(A5-0413/2003)

Report on the proposal for a Council framework decision to strengthen the criminal law framework for the enforcement of the law against ship-source pollution [COM(2003) 227 — C5-0244/2003 — 2003/0088(CNS)] — Committee on Citizens' Freedoms and Rights, Justice and Home Affairs.

Rapporteur: Giuseppe Di Lello Finuoli
(A5-0373/2003)

Loyola de Palacio (Vice-President of the Commission)spoke.

Cees Bremmer (deputising for the rapporteur) introduced the report (A5-0388/2003).

IN THE CHAIR: Joan COLOM I NAVAL

Vice-President

Bernard Poignant introduced the report (A5-0413/2003).

Giuseppe Di Lello Finuoli introduced the report (A5-0373/2003).

The following spoke: Françoise Grossetête (draftsman of the opinion of the ENVI Committee), Luigi Cocilovo, on behalf of the PPE-DE Group, Wilhelm Ernst Piecyk, on behalf of the PSE Group, Dirk Sterckx, on behalf of the ELDR Group, Ilda Figueiredo, on behalf of the GUE/NGL Group, Jan Dhaene, on behalf of the

Monday 12 January 2004

Verts/ALE Group, Niall Andrews, on behalf of the UEN Group, Rijk van Dam, on behalf of the EDD Group, Dominique F.C. Souchet, Non-attached Member, Martine Roure, Samuli Pohjamo, Efstratios Korakas, Josu Ortuondo Larrea, Bent Hindrup Andersen, Konstantinos Hatzidakis, Rosa Miguélez Ramos, Arlette Laguiller, Jean-Louis Bernié and Giorgio Lisi.

IN THE CHAIR: José PACHECO PEREIRA

Vice-President

The following spoke: Robert J.E. Evans, Daniel Varela Suanzes-Carpegna, Jacqueline Foster, Luís Marinho, Marjo Matikainen-Kallström, John Walls Cushnahan and Loyola de Palacio.

The debate closed.

Vote: *Minutes of 13.01.2004, Items 9.6 to 9.8*

13. Management of nuclear waste * — Safety of nuclear installations * (debate)

Report on the proposal for a Council directive (Euratom) on the management of spent nuclear fuel and radioactive waste [COM(2003) 32 — C5-0229/2003 — 2003/0022(CNS)] — Committee on Industry, External Trade, Research and Energy.

Rapporteur: Alejo Vidal-Quadras Roca
(A5-0442/2003)

Report on the proposal for a Council directive (Euratom) setting out basic obligations and general principles on the safety of nuclear installations [COM(2003) 32 — C5-0228/2003 — 2003/0021(CNS)] — Committee on Industry, External Trade, Research and Energy.

Rapporteur: Esko Olavi Seppänen
(A5-0441/2003)

Loyola de Palacio (Vice-President of the Commission) spoke.

Alejo Vidal-Quadras Roca introduced the report (A5-0442/2003).

Esko Olavi Seppänen introduced the report (A5-0441/2003).

The following spoke: Alexander de Roo (draftsman of the opinion of the ENVI Committee), Marjo Matikainen-Kallström, on behalf of the PPE-DE Group, Rolf Linkohr, on behalf of the PSE Group, and Gérard Caudron, on behalf of the GUE/NGL Group.

IN THE CHAIR: Gérard ONESTA

Vice-President

The following spoke: Nuala Ahern, on behalf of the Verts/ALE Group, Hans Kronberger, Non-attached Member, Giles Bryan Chichester, Eryl Margaret McNally, Hiltrud Breyer, Christian Foldberg Røvsing, Marie Anne Isler Béguin, Claude Turmes, Loyola de Palacio, Alejo Vidal-Quadras Roca, who called on Nuala Ahern to withdraw what he considered to be derogatory remarks she had made with respect to the Commission, Claude Turmes, who put a question which Loyola de Palacio answered, and Nuala Ahern who made a personal statement in response to Alejo Vidal-Quadras Roca.

The debate closed.

Vote: *Minutes of 13.01.2004, Items 9.9 and 9.10*

Monday 12 January 2004

14. Euratom loans for nuclear power stations * (debate)

Report on the proposal for a Council decision amending Decision 77/270/Euratom empowering the Commission to issue Euratom loans for the purpose of contributing to the financing of nuclear power stations [COM(2002) 456 — C5-0570/2002 — 2002/0246(CNS)] — Committee on Industry, External Trade, Research and Energy.

Rapporteur: Hiltrud Breyer
(A5-0443/2003)

Loyola de Palacio (Vice-President of the Commission), deputising for Pedro Solbes Mira, spoke.

Hiltrud Breyer introduced the report (A5-0443/2003).

The following spoke: Marialiese Flemming (draftsman of the opinion of the ENVI Committee), Marjo Matikainen-Kallström, on behalf of the PPE-DE Group, Rolf Linkohr, on behalf of the PSE Group, Nuala Ahern, on behalf of the Verts/ALE Group, and Loyola de Palacio.

The debate closed.

Vote: *Minutes of 13.01.2004, Item 11*

15. Agenda for next sitting

The President referred Members to the document 'Agenda' PE 340.652/OJMA.

16. Closure of sitting

The sitting closed at 22.00.

Julian Priestley
Secretary-General

Giorgos Dimitrakopoulos
Vice-President

Monday 12 January 2004

ATTENDANCE REGISTER

The following signed:

Aaltonen, Abitbol, Nuala Ahern, Ainardi, Almeida Garrett, Andersen, Andersson, Andreasen, André-Léonard, Andrews, Aparicio Sánchez, Arvidsson, Atkins, Attwooll, Auroi, Averoff, Avilés Perea, Ayuso González, Bakopoulos, Balfe, Baltas, Banotti, Barón Crespo, Bartolozzi, Bastos, Bayona de Perogordo, Beazley, Bébéar, Belder, Berend, Berenguer Fuster, Berès, van den Berg, Bergaz Conesa, Berger, Bernié, Berthu, Bertinotti, Beysen, Blak, Blokland, Bodrato, Bøge, Bösch, Bonde, Boogerd-Quaak, Booth, Bordes, van den Bos, Boumediene-Thiery, Bourlanges, Bouwman, Bowe, Bowis, Bradbourn, Bremmer, Breyer, Brie, Brok, Buitenweg, Bullmann, Bushill-Matthews, Busk, Butel, Callanan, Calò, Camisón Asensio, Campos, Camre, Cappato, Cardoso, Carlotti, Carnero González, Casaca, Caudron, Caullery, Cauquil, Cederschiöld, Celli, Cercas, Cerdeira Morterero, Ceyhun, Chichester, Claeys, Cocilovo, Coelho, Cohn-Bendit, Collins, Colom i Naval, Corbett, Cornillet, Corrie, Raffaele Costa, Coûteaux, Cox, Crowley, Cushnahan, van Dam, Darras, Dary, Daul, De Clercq, Dehousse, De Keyser, Della Vedova, Deprez, De Rossa, De Sarnez, Descamps, Désir, De Veyrac, Dhaene, Díez González, Di Lello Finuoli, Dillen, Dimitrakopoulos, Dover, Dührkop Dührkop, Duff, Duhamel, Dupuis, Dybkjær, El Khadraoui, Elles, Esclopé, Ettl, Jillian Evans, Jonathan Evans, Robert J.E. Evans, Färm, Farage, Fava, Ferber, Fernández Martín, Ferreira, Ferrer, Fiebiger, Figueiredo, Fiori, Flautre, Flemming, Florenz, Formentini, Foster, Fourtou, Frahm, Fraisse, Frassoni, Friedrich, Fruteau, Gahler, Gahrton, Galeote Quecedo, Garaud, García-Margallo y Marfil, García-Orcoyen Tormo, Garot, Garriga Polledo, Gasòliba i Böhm, de Gaulle, Gawronski, Gebhardt, Gill, Gillig, Gil-Robles Gil-Delgado, Glase, Gobbo, Goebbels, Goepel, Görlach, Gollnisch, Gomolka, Goodwill, Gorostiaga Atxalandabaso, Gouveia, Graefe zu Baringdorf, Gröner, Grönfeldt Bergman, Grosch, Grossetête, Gutiérrez-Cortines, Guy-Quint, Hänsch, Hager, Hansenne, Harbour, Hatzidakis, Hazan, Heaton-Harris, Hedkvist Petersen, Helmer, Hermange, Hernández Mollar, Herranz García, Herzog, Hieronymi, Honeyball, Hortefeux, Howitt, Hudghton, Hughes, van Hulst, Hume, Hyland, Iivari, Imbeni, Inglewood, Isler Béguin, Izquierdo Collado, Izquierdo Rojo, Jensen, Jöns, Jové Peres, Junker, Karamanou, Karas, Karlsson, Keppelhoff-Wiechert, Keßler, Khanbhai, Kindermann, Glenys Kinnock, Kirkhope, Klamt, Klauf, Knolle, Koch, Konrad, Korakas, Korhola, Koukiadis, Koulourianos, Krarup, Krehl, Kreissl-Dörfler, Krivine, Kronberger, Kuckelkorn, Kuhne, Kuntz, Lage, Lagendijk, Laguiller, Lalumière, Lamassoure, Lambert, Lange, Langen, Langenhagen, Lannoye, de La Perrière, Lehne, Leinen, Linkohr, Lipietz, Lisi, Ludford, Lulling, Lund, Lynne, Maat, Maaten, McAvan, McCartin, MacCormick, McNally, Maes, Malliori, Malmström, Manders, Manisco, Erika Mann, Thomas Mann, Marchiani, Marinho, Marinos, Markov, Marques, Maset Campos, Martelli, Martens, Hans-Peter Martin, Martinez, Martínez Martínez, Mastella, Mastorakis, Mathieu, Matikainen-Kallström, Hans-Peter Mayer, Xaver Mayer, Medina Ortega, Meijer, Méndez de Vigo, Mendiluce Pereiro, Menéndez del Valle, Menrad, Miguélez Ramos, Miller, Miranda de Lage, Modrow, Mombaur, Monsonís Domingo, Montfort, Moraes, Morgan, Morgantini, Morillon, Müller, Mulder, Murphy, Musotto, Mussa, Musumeci, Nair, Neapolitano, Naranjo Escobar, Nassauer, Newton Dunn, Niebler, Nisticò, Nobilia, Nogueira Román, Nordmann, Obiols i Germà, Olsson, Onesta, Oomen-Ruijten, Ortuondo Larrea, O'Toole, Pacheco Pereira, Paciotti, Pack, Pannella, Parish, Pastorelli, Patakis, Patrie, Paulsen, Pérez Álvarez, Pérez Royo, Perry, Pesälä, Piecyk, Piétrasanta, Pirker, Píscarreta, Podestà, Poettering, Pohjamo, Poignant, Poli Bortone, Pomés Ruiz, Poos, Posselt, Prets, Procacci, Puerta, Purvis, Queiró, Quisthoudt-Rowohl, Rack, Raschhofer, Raymond, Redondo Jiménez, Ribeiro e Castro, Ries, Riis-Jørgensen, de Roo, Roth-Behrendt, Rothe, Roue, Roving, Rühle, Sacconi, Sacrédeus, Saint-Josse, Sakellariou, Salafraña Sánchez-Neyra, Sandberg-Fries, Sandbæk, Santer, Santini, dos Santos, Sartori, Sauquillo Pérez del Arco, Sbarbati, Scarbonchi, Schaffner, Scheele, Schierhuber, Schleicher, Gerhard Schmid, Herman Schmid, Olle Schmidt, Schmitt, Schörling, Ilka Schröder, Schroedter, Schulz, Schwaiger, Segni, Seppänen, Simpson, Skinner, Smet, Soares, Sørensen, Sommer, Sornosa Martínez, Souchet, Souladakis, Sousa Pinto, Speroni, Stenmarck, Sterckx, Stevenson, Stockmann, Stockton, Sturdy, Sudre, Sumberg, Suominen, Swoboda, Sørensen, Tajani, Tannock, Terrón i Cusí, Theato, Theorin, Thomas-Mauro, Thorning-Schmidt, Thors, Thyssen, Titford, Titley, Torres Marques, Turco, Turmes, Twinn, Uca, Väyrynen, Vairinhos, Valdivielso de Cué, Valenciano Martínez-Orozco, Vallvé, Van Hecke, Van Orden, Varaut, Varela Suanzes-Carpegna, van Velzen, Vidal-Quadras Roca, Villiers, Vinci, Volcic, Wallis, Watson, Watts, Weiler, Wenzel-Perillo, Whitehead, Wiersma, von Wogau, Wuori, Wurtz, Wyn, Wynn, Zabell, Zacharakis, Zappalà, Zimeray, Zimmerling, Zissener, Zorba

Observers

Bagó, Bastys,, Bonnici, Mihael Brejc, Chronowski, Zbigniew Chrzanowski, Demetriou, Didziokas,, Ékes, Fazakas,, Gadinowski, Gawłowski, Germič, Giertych, Grzebisz-Nowicka, Grzyb, Hegyi, Jerzy Jaskiernia, Kamiński, Kelemen, Kiršteins, Kłopotek, Klukowski,, Kowalska,, Kriščiūnas, Daniel Kroupa, Kuzmickas, Kvietkauskas, Laar, Janusz Lewandowski, Libicki, Lisak, Litwiniec, Lydeka, Łyżwiński, Maldeikis, Mallotová,

Monday 12 January 2004

Mavrou, Pasternak, Alojz Peterle, Pieniążek,, Plokšto, Podgórski, Pospíšil, Rutkowski, Savi, Sefzig, Siekierski, Smoleń, Smorawiński, Surján, Svoboda, Szájer,, Tomaka, Tomczak, Vaculík, Vadai, Valys,, Vella, Vésaitė, Wiśniowska, Żenkiewicz, Žiak

Tuesday 13 January 2004

(2004/C 92 E/02)

MINUTES

PROCEEDINGS OF THE SITTING

IN THE CHAIR: Ingo FRIEDRICH

Vice-President

1. Opening of sitting

The sitting opened at 09.00.

2. Documents received

The following document had been received:

- * Report on the proposal for a Council directive amending Directive 77/388/EEC with a view to extending the option to authorise Member States to apply reduced rates of VAT to certain highly labour-intensive services [COM(2003) 825 — C5-0653/2003 — 2003/0317(CNS)] — Committee on Economic and Monetary Affairs.
Rapporteur: Christa Randzio-Plath
(A5-0001/2004).

3. Debate on cases of breaches of human rights, democracy and the rule of law (announcement of motions for resolutions tabled)

Pursuant to Rule 50, the following Members or political groups had requested that such a debate be held on the following motions for resolution:

I. ZIMBABWE

- Glenys Kinnock and Margrietus J. van den Berg, on behalf of the PSE Group, on the situation in Zimbabwe (B5-0016/2004);
- Nelly Maes, Didier Rod and Marie Anne Isler Béguin, on behalf of the Verts/ALE Group, on Zimbabwe (B5-0020/2004);
- Niall Andrews, José Ribeiro e Castro and Cristiana Muscardini, on behalf of the UEN Group, on the situation in Zimbabwe (B5-0022/2004);
- Jan Mulder, on behalf of the ELDR Group, on the political situation in Zimbabwe (B5-0023/2004);
- Pedro Marset Campos, on behalf of the GUE/NGL Group, on the situation in Zimbabwe (B5-0026/2004);
- Geoffrey Van Orden, John Alexander Corrie, Nirj Deva, Jacqueline Foster, Neil Parish, Charles Tannock, Mary Elizabeth Banotti, Michael Gahler, Eija-Riitta Anneli Korhola, Klaus-Heiner Lehne, Bernd Posselt and Lennart Sacrédeus, on behalf of the PPE-DE Group, on Zimbabwe (B5-0030/2004);
- Bastiaan Belder, on behalf of the EDD Group, on Zimbabwe (B5-0033/2004);

II. BURUNDI

- Margrietus J. van den Berg and Francisca Sauquillo Pérez del Arco, on behalf of the PSE Group, on Burundi (B5-0014/2004);
- John Alexander Corrie, Jean-Pierre Bébéar, Vitaliano Gemelli and Bernd Posselt, on behalf of the PPE-DE Group, on Burundi (B5-0017/2004);

Tuesday 13 January 2004

- Nelly Maes, Patricia McKenna and Didier Rod, on behalf of the Verts/ALE Group, on Burundi (B5-0021/2004);
- Johan Van Hecke, Cecilia Malmström and Colette Flesch, on behalf of the ELDR Group, on the situation in Burundi (B5-0024/2004);
- Pedro Marset Campos, on behalf of the GUE/NGL Group, on the murder of the papal nuncio in Burundi (B5-0027/2004);
- Gerard Collins, Niall Andrews, Brian Crowley, James (Jim) Fitzsimons, Liam Hyland and Seán Ó Neachtain, on behalf of the UEN Group, on Burundi (B5-0029/2004);

III. HAITI

- Margrietus J. van den Berg, Karin Junker and Marie-Arlette Carlotti, on behalf of the PSE Group, on the situation in Haïti (B5-0015/2004);
- Bashir Khanbhai, Jas Gawronski and Bernd Posselt, on behalf of the PPE-DE Group, on the situation in Haïti (B5-0018/2004);
- Inger Schörling, Didier Rod, Nelly Maes and Marie Anne Isler Béguin, on behalf of the Verts/ALE Group, on Haïti (B5-0019/2004);
- Colette Flesch, on behalf of the ELDR Group, on the situation in Haïti (B5-0025/2004);
- Pedro Marset Campos, on behalf of the GUE/NGL Group, on the situation in Haïti (B5-0028/2004);
- Niall Andrews, on behalf of the UEN Group, on the situation in Haïti (B5-0031/2004);
- Ulla Margrethe Sandbæk, on behalf of the EDD Group, on Haïti (B5-0032/2004).

Speaking time would be allocated in accordance with Rule 120.

4. Decision on urgent procedure

Request for urgent procedure:

- Proposal for a Council decision on the system of dock dues in the French overseas departments and extending Decision 89/688/EEC [COM(2003) 792 — C5-0656/2003 — 2003/0308(CNS)]

Margie Sudrespoke on behalf of the RETT Committee.

The request for urgent procedure was approved.

The item was added to the agenda for the sitting of Thursday 15 January 2004.

The deadline for tabling amendments for plenary would be 14 January 2004 at 10.00.

5. Services of general interest (debate)

Report on the Green Paper on services of general interest [COM(2003) 270 — 2003/2152(INI)] — Committee on Economic and Monetary Affairs.

Rapporteur: Philippe A.R. Herzog
(A5-0484/2003).

Philippe A.R. Herzog introduced the report.

Pascal Lamy (Member of the Commission)spoke.

Tuesday 13 January 2004

The following spoke: Ioannis Koukiadis (draftsman of the opinion of the JURI Committee), Werner Langen (draftsman of the opinion of the ITRE Committee), H el ene Flautre (draftsman of the opinion of the EMPL Committee), Johannes (Hannes) Swoboda (draftsman of the opinion of the RETT Committee), Alexander Radwan, on behalf of the PPE-DE Group, Bernhard Rapkay, on behalf of the PSE Group, Karin Riis-J orgensen, on behalf of the ELDR Group, Sylviane H. Ainardi, on behalf of the GUE/NGL Group, Pierre Jonckheer, on behalf of the Verts/ALE Group, Johannes (Hans) Blokland, on behalf of the EDD Group, Benedetto Della Vedova, Non-attached Member, Lisbeth Gr onfeldt Bergman, Proinsias De Rossa, Willy C.E.H. De Clercq and Herman Schmid.

IN THE CHAIR: Gerhard SCHMID

Vice-President

The following spoke: Jean Lambert, Yves Butel, Georges Berthu, Othmar Karas, Olga Zrihen, G erard Caudron, Elisabeth Schroedter, Jean-Louis Bourlanges, Bernard Poignant, Ioannis Patakis and Pascal Lamy.

The debate closed.

Vote: *Minutes of 14.01.2004, Item 4.3*

6. The operating framework for the European Regulatory Agencies (debate)

Report on the Communication from the Commission entitled 'The operating framework for the European Regulatory Agencies' [COM(2002) 718 — 2003/2089(INI)] — Committee on Constitutional Affairs.

Rapporteur: Teresa Almeida Garrett
(A5-0471/2003).

Teresa Almeida Garrett introduced the report.

Pascal Lamy (Member of the Commission) spoke.

The following spoke: Manuel Medina Ortega (draftsman of the opinion of the JURI Committee), Margrietus J. van den Berg, on behalf of the PSE Group, Anne Elisabet Jensen, on behalf of the ELDR Group, Wilfried Kuckelkorn (draftsman of the opinion of the BUDG Committee), on behalf of the PSE Group, Jo Leinen, Lu s Marinho and Pascal Lamy.

The debate closed.

Vote: *Item 9.13.*

7. Prospects for the Doha Development Round after the WTO General Council meeting of 15 December 2003 (statement followed by debate)

Commission statement: Prospects for the Doha Development Round after the WTO General Council meeting of 15 December 2003

Pascal Lamy and Franz Fischler (Members of the Commission) made statements.

The following spoke: W.G. van Velzen, on behalf of the PPE-DE Group, Margrietus J. van den Berg, on behalf of the PSE Group, Elly Plooij-van Gorsel, on behalf of the ELDR Group, Ilda Figueiredo, on behalf of the GUE/NGL Group, Paul A.A.J.G. Lannoye, on behalf of the Verts/ALE Group, Liam Hyland, on behalf of the UEN Group, Bastiaan Belder, on behalf of the EDD Group, Benedetto Della Vedova, Non-attached Member, Konrad K. Schwaiger, Harlem D esir, Willy C.E.H. De Clercq, Helmuth Markov and Dominique F.C. Souchet.

The debate was suspended at that point for voting time.

The debate would resume at 15:00 (*Item 14*).

Tuesday 13 January 2004

IN THE CHAIR: Renzo IMBENI

Vice-President

8. Agenda

The next item was the decision on the request to amend the Agenda submitted the previous day by the PSE Group (*Item 8 of Minutes of Monday 12 January 2004*) seeking to postpone the vote on the report by Stefano Zappalà (A5-0470/2003) to the next part-session.

The rapporteur said he was in agreement with the request.

The President established that there were no objections (the debate would take place on Thursday morning as scheduled).

9. Voting time

Details of voting (amendments, separate and split votes, etc.) appear in Annex 1 to the Minutes.

9.1. Community plant variety rights * (Rule 110a)(vote)

Report on the proposal for a Council regulation amending Regulation (EC) No 2100/94 on Community plant variety rights [COM(2003) 456 — C5-0573/2003 — 2003/0161(CNS)] — Committee on Agriculture and Rural Development.

Rapporteur: Joseph Daul
(A5-0482/2003)
(*Simple majority*)
(*Voting record: Annex 1, Item 1*)

COMMISSION PROPOSAL and DRAFT LEGISLATIVE RESOLUTION

Adopted by single vote (P5_TA(2004)0001)

9.2. Controls on fishing for certain highly migratory fish * (Rule 110a) (vote)

Report on the amended proposal for a Council regulation amending Regulation (EC) No 1936/2001 of 27 September 2001 laying down control measures applicable to fishing for certain stocks of highly migratory fish [COM(2002) 421 — C5-0406/2002 — COM(2003) 417 — C5-0479/2003 — 2002/0186(CNS)] — Committee on Fisheries.

Rapporteur: Patricia McKenna
(A5-0438/2003)
(*Simple majority*)
(*Voting record: Annex 1, Item 2*)

COMMISSION PROPOSAL, AMENDMENT and DRAFT LEGISLATIVE RESOLUTION

Adopted by single vote (P5_TA(2004)0002)

Tuesday 13 January 2004

9.3. Technical conservation measures for certain highly migratory species * (Rule 110a)(vote)

Report on the amended proposal for a Council regulation amending Regulation (EC) No 973/2001 laying down certain technical measures for the conservation of certain stocks of highly migratory species [COM(2002) 420 — C5-0407/2002 — COM(2003) 421 — C5-0429/2003 — 2002/0189(CNS)] — Committee on Fisheries.

Rapporteur: Yves Piétrasanta
(A5-0439/2003)
(Simple majority)
(Voting record: Annex 1, Item 3)

COMMISSION PROPOSAL, AMENDMENT and DRAFT LEGISLATIVE RESOLUTION

Adopted by single vote (P5_TA(2004)0003)

9.4. New narcotic and synthetic drugs * (Rule 110a)(vote)

Report on the proposal for a Council decision on the information exchange, risk-assessment and the control on new narcotic drugs and new synthetic drugs [COM(2003) 560 — C5-0516/2003 — 2003/0215(CNS)] — Committee on Citizens' Freedoms and Rights, Justice and Home Affairs.

Rapporteur: Hubert Pirker
(A5-0483/2003)
(Simple majority)
(Voting record: Annex 1, Item 4)

COMMISSION PROPOSAL, AMENDMENTS and DRAFT LEGISLATIVE RESOLUTION

Adopted by single vote (P5_TA(2004)0004)

9.5. UN convention and protocols against transnational organised crime, smuggling of migrants and trafficking in persons * (Rule 110a)(vote)

Report on the proposals for Council decisions on: I. the conclusion, on behalf of the European Community, of the United Nations Convention Against Transnational Organised Crime [COM(2003) 0512 — C5-0487/2003 — 2003/0195(CNS)]

II. the conclusion, on behalf of the European Community, of the Protocol Against the Smuggling of Migrants by Land, Sea and Air, supplementing the United Nations Convention Against Transnational Organised Crime

[COM(2003) 0512 — C5-0488/2003 — 2003/0196(CNS)]

III. the conclusion, on behalf of the European Community, of the Protocol to Prevent, Suppress and Punish Trafficking in Persons, Especially Women And Children, supplementing the United Nations Convention Against Transnational Organised Crime

[COM(2003) 0512 — C5-0489/2003 — 2003/0197(CNS)] — Committee on Citizens' Freedoms and Rights, Justice and Home Affairs.

Rapporteur: Martine Roure
(A5-0485/2003)
(Simple majority)
(Voting record: Annex 1, Item 5)

Tuesday 13 January 2004

COMMISSION PROPOSALS and DRAFT LEGISLATIVE RESOLUTIONS

Martine Roure (rapporteur) made a statement pursuant to Rule 110a(4).

Adopted by single vote (P5_TA(2004)0005), (P5_TA(2004)0006) and (P5_TA(2004)0007)

9.6. Combating ship-source pollution * (Rule 110a) (vote)

Report on the proposal for a Council framework decision to strengthen the criminal law framework for the enforcement of the law against ship-source pollution [COM(2003) 227 — C5-0244/2003 — 2003/0088(CNS)] — Committee on Citizens' Freedoms and Rights, Justice and Home Affairs.

Rapporteur: Giuseppe Di Lello Finuoli

(A5-0373/2003)

(Simple majority)

(Voting record: Annex 1, Item 6)

COMMISSION PROPOSAL, AMENDMENTS and DRAFT LEGISLATIVE RESOLUTION

Adopted by single vote (P5_TA(2004)0008)

9.7. Introduction of sanctions for pollution offences *I (vote)**

Report on the proposal for a European Parliament and Council directive on ship-source pollution and on the introduction of sanctions, including criminal sanctions, for pollution offences [COM(2003) 92 — C5-0076/2003 — 2003/0037(COD)] — Committee on Regional Policy, Transport and Tourism.

Rapporteur: Peter Pex

(A5-0388/2003).

Draftsman of the opinion (Rule 162a): Françoise Grossetête, ENVI Committee

(Simple majority)

(Voting record: Annex 1, Item 7)

COMMISSION PROPOSAL

Approved as amended (P5_TA(2004)0009)

DRAFT LEGISLATIVE RESOLUTION

Adopted (P5_TA(2004)0009)

9.8. Transfer of cargo and passenger ships between registers *I (vote)**

Report on the proposal for a European Parliament and Council regulation on the transfer of cargo and passenger ships between registers within the Community [COM(2003) 478 — C5-0366/2003 — 2003/0180(COD)] — Committee on Regional Policy, Transport and Tourism.

Rapporteur: Bernard Poignant

(A5-0413/2003)

(Simple majority)

(Voting record: Annex 1, Item 8)

Tuesday 13 January 2004

COMMISSION PROPOSAL

Approved as amended (P5_TA(2004)0010)

DRAFT LEGISLATIVE RESOLUTION

Adopted (P5_TA(2004)0010)

9.9. Management of nuclear waste * (vote)

Report on the proposal for a Council directive (Euratom) on the management of spent nuclear fuel and radioactive waste [COM(2003) 32 — C5-0229/2003 — 2003/0022(CNS)] — Committee on Industry, External Trade, Research and Energy.

Rapporteur: Alejo Vidal-Quadras Roca

(A5-0442/2003)

(Simple majority)

(Voting record: Annex 1, Item 9)

COMMISSION PROPOSAL

Approved as amended (P5_TA(2004)0011)

DRAFT LEGISLATIVE RESOLUTION

Adopted (P5_TA(2004)0011)

9.10. Safety of nuclear installations * (vote)

Report on the proposal for a Council directive (Euratom) setting out basic obligations and general principles on the safety of nuclear installations [COM(2003) 32 — C5-0228/2003 — 2003/0021(CNS)] — Committee on Industry, External Trade, Research and Energy.

Rapporteur: Esko Olavi Seppänen

(A5-0441/2003)

(Simple majority)

(Voting record: Annex 1, Item 10)

COMMISSION PROPOSAL

Approved as amended (P5_TA(2004)0012)

DRAFT LEGISLATIVE RESOLUTION

Adopted (P5_TA(2004)0012)

*

* *

(From 12.00 to 12.25, a formal sitting of Parliament was held, chaired by Pat Cox, on the occasion of the visit by Mr Svetozar Marovic, President of Serbia and Montenegro.)

*

* *

Tuesday 13 January 2004

9.11. Euratom loans for nuclear power stations * (vote)

Report on the proposal for a Council decision amending Decision 77/270/Euratom empowering the Commission to issue Euratom loans for the purpose of contributing to the financing of nuclear power stations [COM(2002) 456 — C5-0570/2002 — 2002/0246(CNS)] — Committee on Industry, External Trade, Research and Energy.

Rapporteur: Hiltrud Breyer

(A5-0443/2003)

(Simple majority)

(Voting record: Annex 1, Item 11)

COMMISSION PROPOSAL

Approved as amended (P5_TA(2004)0013)

DRAFT LEGISLATIVE RESOLUTION

Adopted (P5_TA(2004)0013)

The following spoke:

Hiltrud Breyer (rapporteur) requested after the vote that her name be removed from the report since the outcome of the vote did not reflect her position on the matter (the President took note of her request).

9.12. Arctic agriculture (vote)

Report on Arctic agriculture [2003/2051(INI)] — Committee on Agriculture and Rural Development.

Rapporteur: Mikko Pesälä

(A5-0463/2003)

(Simple majority)

(Voting record: Annex 1, Item 12)

MOTION FOR A RESOLUTION

Adopted (P5_TA(2004)0014)

The following spoke:

The rapporteur spoke before the vote.

9.13. The operating framework for the European Regulatory Agencies (vote)

Report on the Communication from the Commission entitled 'The operating framework for the European Regulatory Agencies' [COM(2002) 718 — 2003/2089(INI)] — Committee on Constitutional Affairs.

Rapporteur: Teresa Almeida Garrett

(A5-0471/2003)

(Simple majority)

(Voting record: Annex 1, Item 13)

MOTION FOR A RESOLUTION

Adopted (P5_TA(2004)0015)

Tuesday 13 January 2004

10. Explanations of vote

Written explanations of vote:

Explanations of vote submitted in writing under Rule 137(3) appear in the verbatim report of proceedings for this sitting.

Oral explanations of vote:

Report Poignant — A5-0413/2003

— Ian Stewart Hudghton

Report Vidal-Quadras Roca — A5-0442/2003

— Ian Stewart Hudghton

11. Corrections to votes

Corrections to votes were submitted by the following Members:

Report Daul — A5-0482/2003

— legislative resolution
for: Charlotte Cederschiöld, Avril Doyle and Othmar Karas

Report Pex — A5-0388/2003

— amendment 6 first part
for: María Sornosa Martínez, Ilda Figueiredo and Avril Doyle

— amendment 6 second part
for: Avril Doyle
against: Ilda Figueiredo

— amendment 22
for: María Sornosa Martínez

— amendment 26
for: María Sornosa Martínez

— amendment 27
for: María Sornosa Martínez and Cecilia Malmström

— amendment 28
for: María Sornosa Martínez
against: Elizabeth Montfort and Marie-Françoise Garaud

Report Poignant — A5-0413/2003

— amendment 2
against: Paul Coûteaux

Report Vidal-Quadras Roca — A5-0442/2003

— amendment 13
for: Marie-Françoise Garaud and Claude Turmes

— amendment 16
for: Dana Rosemary Scallon, Claude Turmes and José Ribeiro e Castro

Tuesday 13 January 2004

- amendment 19
for: Dana Rosemary Scallon and Claude Turmes
against: Malcolm Harbour
- amendment 20
for: Dana Rosemary Scallon, Claude Turmes and Jan Andersson
- amendment 26
for: Dana Rosemary Scallon and Claude Turmes

Report Seppänen — A5-0441/2003

- amendment 11
for: Claude Turmes
- amendment 28
for: Dana Rosemary Scallon and Hubert Pirker
- amendment 29
for: Anne Ferreira
against: Joan Vallvé
- amendment 30
against: Sami Nair

Report Breyer — A5-0443/2003

- amendment 17
for: Alain Krivine, Saïd El Khadraoui and Reinhard Rack
against: Arlette Laguiller, Armonia Bordes and Chantal Cauquil
- amendment 19
for: Alain Krivine, Saïd El Khadraoui and Reinhard Rack
against: Charlotte Cederschiöld
abstention: Arlette Laguiller, Armonia Bordes and Chantal Cauquil

Report Pesälä — A5-0463/2003

- legislative resolution
for: Bruno Gollnisch and Othmar Karas

(The sitting was suspended at 12.40 and resumed at 15.00.)

IN THE CHAIR: Giorgos DIMITRAKOPOULOS

Vice-President

12. Approval of Minutes of previous sitting

The Minutes of the previous sitting were approved.

13. Written declarations (Rule 51)

In accordance with Rule 51(5), written declarations Nos 18, 19 and 20/2003 lapsed as they had not obtained the required number of signatures.

Tuesday 13 January 2004

14. Prospects for the Doha Development Round after the WTO General Council meeting of 15 December 2003 (continuation of debate)

The following spoke: Paul Rübig, Erika Mann, William Abitbol, Robert William Sturdy, Dorette Corbey, Francesco Fiori, María del Pilar Ayuso González, Michel Hansenne, Concepció Ferrer, Franz Fischler (Member of the Commission) and Pascal Lamy (Member of the Commission).

The debate closed.

15. Illegal trade in bushmeat (debate)

Report on the protection and conservation of Great Apes and other species endangered by the illegal trade in bushmeat (Petition 461/2000) [2003/2078(INI)] — Committee on Petitions.

Rapporteur: Proinsias De Rossa
(A5-0355/2003)

Proinsias De Rossa introduced the report.

Poul Nielson (Member of the Commission) spoke.

The following spoke: John Alexander Corrie (draftsman of the opinion of the DEVE Committee), Stockton, on behalf of the PPE-DE Group, Glyn Ford, on behalf of the PSE Group, Jean Lambert, on behalf of the Verts/ALE Group, Véronique Mathieu, on behalf of the EDD Group, Neil Parish, Glenys Kinnock, Eurig Wyn, Poul Nielson and Glyn Ford on the remarks by Jean Lambert and Neil Parish.

The debate closed.

Vote: *Minutes of 14.01.2004, Item 4.4*

16. EU aid to Iran following the earthquake (statement followed by debate)

Commission statement: EU aid to Iran following the earthquake

Poul Nielson (Member of the Commission) made the statement.

The following spoke: Michael Gahler, on behalf of the PPE-DE Group, and Johannes (Hannes) Swoboda, on behalf of the PSE Group.

IN THE CHAIR: Catherine LALUMIÈRE

Vice-President

The following spoke: Cecilia Malmström, on behalf of the ELDR Group, Gerard Collins, on behalf of the UEN Group, Marco Pannella, Non-attached Member, Véronique De Keyser, Richard Howitt and Poul Nielson.

Motions for resolution to wind up the debate pursuant to Rule 37(2):

- Daniel Marc Cohn-Bendit, Monica Frassoni, Nelly Maes, Per Gahrton, Alima Boumediene-Thiery, Matti Wuori and Eurig Wyn, on behalf of the Verts/ALE Group, on EU aid to Iran following the earthquake (B5-0034/2004)
- Pernille Frahm, Pedro Marset Campos and Esko Olavi Seppänen, on behalf of the GUE/NGL Group, on EU aid to Iran following the earthquake (B5-0035/2004)

Tuesday 13 January 2004

- Gerard Collins, Niall Andrews and James (Jim) Fitzsimons, on behalf of the UEN Group, on EU aid to Iran following the earthquake (B5-0036/2004)
- Michael Gahler, on behalf of the PPE-DE Group, on the EU aid to Iran following the earthquake (B5-0037/2004)
- Enrique Barón Crespo, Johannes (Hannes) Swoboda, Jannis Sakellariou, Véronique De Keyser, Anna Terrón i Cusí and Margrietus J. van den Berg, on behalf of the PSE Group, on EU aid to Iran following the earthquake (B5-0038/2004)
- Cecilia Malmström, on behalf of the ELDR Group, on the earthquake in Kerman province in Iran (B5-0039/2004)

The debate closed.

Vote: *Minutes of 15.01.2004, Item 5.9*

*
* * *

The President announced that the next item on the agenda, the debate on the Varela Suanzes-Carpegna report (A5-0412/2003), would be interrupted so as to allow the Commission to make an announcement on services in the internal market, scheduled for 17.00.

17. Tuna (debate)

Report on the tuna fleet and industry: situation and future prospects in the EU and worldwide [2003/2017(INI)] — Committee on Fisheries.
Rapporteur: Daniel Varela Suanzes-Carpegna
(A5-0412/2003)

Daniel Varela Suanzes-Carpegna introduced the report, after having protested against the decision announced by the President.

Franz Fischler (Member of the Commission) spoke.

The following spoke: Struan Stevenson, on behalf of the PPE-DE Group, Rosa Miguélez Ramos, on behalf of the PSE Group, Patricia McKenna, on behalf of the Verts/ALE Group, Sebastiano (Nello) Musumeci, on behalf of the UEN Group, Dominique F.C. Souchet, Non-attached Member, Giorgio Lisi, Catherine Stihler, Neil Parish, Joaquim Pisarraeta and James Nicholson.

The debate closed.

Vote: *Minutes of 14.01.2004, Item 4.1*

The President announced that Members who had wanted to speak on this item but had been absent on account of the slight confusion in proceedings at the beginning of this item could hand in their speech in writing.

18. Agenda

Pursuant to Rule 111(2), the President proposed, given that Frits Bolkestein (Member of the Commission) was not in the Chamber, that the Commission communication on services in the internal market be postponed until 21:00 that evening.

Parliament approved the proposal.

Tuesday 13 January 2004

IN THE CHAIR: Alonso José PUERTA

Vice-President

19. Question Time (Commission)

Parliament considered a number of questions to the Commission (B5-0002/2004).

First part

Question 12 by Marialiese Flemming: Violence against elderly people.

Anna Diamantopoulou (Member of the Commission) answered the question and supplementaries by Marialiese Flemming and John Bowis.

Question 13 by Reino Paasilinna: Monitoring of spam prevention.

Erkki Liikanen (Member of the Commission) answered the question and supplementaries by Reino Paasilinna and Astrid Thors.

Question 14 by Avril Doyle: Fluoride in drinking water.

Margot Wallström (Member of the Commission) answered the question and supplementaries by Avril Doyle and Patricia McKenna.

Second part

Question 15 by Claude Moraes: Tampere Council objectives.

António Vitorino (Member of the Commission) answered the question and supplementaries by Claude Moraes and Robert J.E. Evans.

Question 16 by Alexandros Alavanos: Agreement between the European Union and the United States concerning extradition.

António Vitorino answered the question.

Question 17 by Patricia McKenna: Welfare and transport of greyhounds from Ireland to Spain.

David Byrne (Member of the Commission) answered the question and a supplementary by Patricia McKenna.

Question 18 by Philip Bushill-Matthews: Action against the Netherlands for breaching the EU Plants Directive.

David Byrne answered the question.

Philip Bushill-Matthews put a supplementary which David Byrne undertook to answer in writing.

Question 19 by John Bowis: Surveillance of cancer, tuberculosis and HIV/AIDS.

David Byrne answered the question and a supplementary by John Bowis.

Tuesday 13 January 2004

Question 20 by José Manuel García-Margallo y Marfil: Imports of citrus fruits from the Southern Cone.

David Byrne answered the question and a supplementary by José Manuel García-Margallo y Marfil.

Question 21 by Dorette Corbey: Obsolete pesticides.

Question 22 by Jan Marinus Wiersma: Obsolete pesticides.

Question 23 by Robert Goodwill: Obsolete pesticides.

Christopher Patten (Member of the Commission) answered the questions and supplementaries by Jan Marinus Wiersma and Alexander de Roo.

Question 24 lapsed as its author was absent.

Question 25 by Glenys Kinnock: Common Foreign and Security Policy.

Christopher Patten answered the question and supplementaries by Glenys Kinnock and Eija-Riitta Anneli Korhola.

Question 26 by Rodi Kratsa-Tsagaropoulou: Syria-EU Association Agreement.

Christopher Patten answered the question and supplementaries by Rodi Kratsa-Tsagaropoulou and John Purvis.

Questions which had not been answered for lack of time would receive written answers.

Commission Question Time closed.

(The sitting was suspended at 19.05 and resumed at 21.00.)

IN THE CHAIR: Charlotte CEDERSCHIÖLD

Vice-President

20. Services in the internal market (Commission communication)

Commission communication Services in the internal market

Frits Bolkestein (Member of the Commission) made the communication and briefly informed Parliament of the decision taken by the Commission on that day in relation to the Stability Pact.

The following put questions under the 'catch the eye' procedure, which Frits Bolkestein answered: Malcolm Harbour, Peter Michael Mombaur, Bent Hindrup Andersen and Theresa Villiers.

The item was closed.

21. Detergents *II** (debate)

Recommendation for second reading on the common position adopted by the Council with a view to adopting a European Parliament and Council regulation on detergents [10595/2003 — C5-0521/2003 — 2002/0216(COD)] — Committee on the Environment, Public Health and Consumer Policy.

Rapporteur: Mauro Nobilia
(A5-0455/2003)

Tuesday 13 January 2004

Mauro Nobilia introduced the recommendation for second reading.

Erkki Liikanen (Member of the Commission) spoke.

The following spoke: Karl-Heinz Florenz, on behalf of the PPE-DE Group, Guido Sacconi, on behalf of the PSE Group, Jonas Sjöstedt, on behalf of the GUE/NGL Group, Alexander de Roo, on behalf of the Verts/ALE Group, Johannes (Hans) Blokland, on behalf of the EDD Group, Avril Doyle, David Robert Bowe, Inger Schörling, Sérgio Marques and Erkki Liikanen.

The debate closed.

Vote: *Minutes of 14.01.2004, Item 4.2*

22. Health issues and poverty reduction (debate)

Report on the Commission communication on the update of the EC Programme for Action: accelerated action on HIV/AIDS, malaria and tuberculosis in the context of poverty reduction; outstanding policy issues and future challenges [COM(2003) 93 — 2003/2146(INI)] — Committee on Development and Cooperation.

Rapporteur: Ulla Margrethe Sandbæk
(A5-0474/2003)

Ulla Margrethe Sandbæk introduced the report.

Poul Nielson (Member of the Commission) spoke.

The following spoke: Dorette Corbey (draftsman of the opinion of the ITRE Committee), Anna Karamanou (draftsman of the opinion of the FEMM Committee), Maria Martens, on behalf of the PPE-DE Group, Marie-Arlette Carlotti, on behalf of the PSE Group, Hans Modrow, on behalf of the GUE/NGL Group, Didier Rod, on behalf of the Verts/ALE Group, Lennart Sacrédeus, Glenys Kinnock, Armonia Bordes, Inger Schörling, Bashir Khanbhai, Karin Junker, Linda McAvan, Reino Paasilinna and Poul Nielson.

The debate closed.

Vote: *Minutes of 14.01.2004, Item 4.5*

23. NEPAD (debate)

Report on the New Partnership for Africa's Development (NEPAD) [2003/2106(INI)] — Committee on Development and Cooperation.

Rapporteur: Jean-Pierre Bébéar
(A5-0329/2003)

Jean-Pierre Bébéar introduced the report.

Poul Nielson (Member of the Commission) spoke.

The following spoke: John Alexander Corrie, on behalf of the PPE-DE Group, Glenys Kinnock, on behalf of the PSE Group, Didier Rod, on behalf of the Verts/ALE Group, Michael Gahler, Karin Junker, Nelly Maes, Geoffrey Van Orden, Linda McAvan, Bashir Khanbhai and Poul Nielson.

The debate closed.

Vote: *Minutes of 14.01.2004, Item 4.6*

Tuesday 13 January 2004

24. Cultural diversity (debate)

Report on preserving and promoting cultural diversity: the role of the European regions and international organisations such as UNESCO and the Council of Europe [2002/2269(INI)] — Committee on Culture, Youth, Education, the Media and Sport.

Rapporteur: Christa Prets
(A5-0477/2003)

Christa Prets introduced the report.

Viviane Reding (Member of the Commission) spoke.

The following spoke: Nelly Maes (draftsman of the opinion of the AFET Committee), Christopher J.P. Beazley, on behalf of the PPE-DE Group, Karin Junker, on behalf of the PSE Group, Joan Vallvé, on behalf of the ELDR Group, Geneviève Fraisse, on behalf of the GUE/NGL Group, Miquel Mayol i Raynal, on behalf of the Verts/ALE Group, Michl Ebner, Ulpu Iivari, Claudio Martelli, Marco Cappato, Theresa Zabell, Marcelino Oreja Arburúa and Viviane Reding.

The debate closed.

Vote: *Minutes of 14.01.2004, Item 4.7*

25. Agenda for next sitting

The President referred Members to the document 'Agenda' PE 340.652/OJME.

26. Closure of sitting

The sitting closed at 00.20.

Julian Priestley
Secretary-General

Gérard Onesta
Vice-President

Tuesday 13 January 2004

ATTENDANCE REGISTER

The following signed:

Aaltonen, Abitbol, Nuala Ahern, Ainardi, Almeida Garrett, Andersen, Andersson, Andreasen, André-Léonard, Andrews, Aparicio Sánchez, Arvidsson, Atkins, Attwooll, Auroi, Averoff, Avilés Perea, Ayuso González, Bakopoulos, Baltas, Banotti, Barón Crespo, Bartolozzi, Bastos, Bayona de Perogordo, Beazley, Bébéar, Belder, Berend, Berenguer Fuster, Berès, van den Berg, Bergaz Conesa, Berger, Berlato, Bernié, Berthu, Bertinotti, Beysen, Bigliardo, Blak, Blokland, Bodrato, Böge, Bösch, von Boetticher, Bonde, Bonino, Boogerd-Quaak, Booth, Bordes, Borghezio, van den Bos, Boudjenah, Boumediene-Thiery, Bourlanges, Bouwman, Bowe, Bowis, Bradbourn, Bremmer, Breyer, Brie, Brok, Brunetta, Buitenweg, Bullmann, Bushill-Matthews, Busk, Butel, Callanan, Calò, Camisón Asensio, Campos, Camre, Cappato, Cardoso, Carlotti, Carnero González, Carraro, Casaca, Caudron, Caullery, Cauquil, Cederschiöld, Celli, Cercas, Cerdeira Morterero, Ceyhun, Chichester, Claeys, Clegg, Cocilovo, Coelho, Cohn-Bendit, Collins, Colom i Naval, Corbett, Corbey, Cornillet, Corrie, Raffaele Costa, Coûteaux, Cox, Crowley, Cushnahan, van Dam, Darras, Daul, Davies, De Clercq, Decourrière, Dehousse, De Keyser, Della Vedova, Deprez, De Rossa, De Sarnez, Descamps, Désir, De Veyrac, Dhaene, Díez González, Di Lello Finuoli, Dillen, Dimitrakopoulos, Di Pietro, Dover, Doyle, Dührkop Dührkop, Duff, Duhamel, Duin, Dupuis, Dybkjær, Ebner, Echerer, El Khadraoui, Elles, Esclopé, Ettl, Jillian Evans, Jonathan Evans, Robert J.E. Evans, Färm, Farage, Fatuzzo, Fava, Ferber, Fernández Martín, Ferrández Lezaun, Ferreira, Ferrer, Ferri, Fiebiger, Figueiredo, Fiori, Fitzsimons, Flautre, Flemming, Flesch, Florenz, Folias, Ford, Formentini, Foster, Fourtou, Frahm, Fraisse, Frassoni, Friedrich, Fruteau, Gahler, Gahrton, Galeote Quecedo, Garaud, García-Margallo y Marfil, García-Orcyoyen Tormo, Gargani, Garot, Garriga Polledo, Gasòliba i Böhm, de Gaulle, Gawronski, Gebhardt, Gemelli, Gill, Gillig, Glante, Glase, Gobbo, Goebbels, Goepel, Görlach, Gollnisch, Gomolka, Goodwill, Gorostiaga Atxalandabaso, Gouveia, Graefe zu Baringdorf, Graça Moura, Gröner, Grönfeldt Bergman, Grosch, Grossetête, Gutiérrez-Cortines, Guy-Quint, Hänsch, Hager, Hannan, Hansenne, Harbour, Hatzidakis, Haug, Hazan, Heaton-Harris, Hedkvist Petersen, Helmer, Hermange, Hernández Mollar, Herranz García, Herzog, Hieronymi, Honeyball, Hortefeux, Howitt, Hudghton, Hughes, Huhne, van Hulst, Hume, Hyland, Iivari, Ilgenfritz, Imbeni, Inglewood, Isler Béguin, Izquierdo Collado, Izquierdo Rojo, Jackson, Jarzembowski, Jean-Pierre, Jeggler, Jensen, Jöns, Jonckheer, Jové Peres, Junker, Karamanou, Karas, Karlsson, Kastler, Katiforis, Kaufmann, Keppelhoff-Wiechert, Keßler, Khanbhai, Kindermann, Glenys Kinnock, Kirkhope, Klamt, Klab, Knolle, Koch, Konrad, Korakas, Korhola, Koukiadis, Koulourianos, Krarup, Kratsa-Tsagaropoulou, Krehl, Kreissl-Dörfler, Krivine, Kronberger, Kuckelkorn, Kuhne, Kuntz, Lage, Lagendijk, Laguiller, Lalumière, Lamassoure, Lambert, Lang, Lange, Langen, Langenhagen, Lannoye, de La Perrière, Laschet, Lavarra, Lechner, Lehne, Leinen, Liese, Linkohr, Lipietz, Lisi, Lombardo, Lucas, Ludford, Lulling, Lund, Lynne, Maat, Maaten, McAvan, McCarthy, McCartin, MacCormick, McKenna, McMillan-Scott, McNally, Maes, Malliori, Malmström, Manders, Manisco, Erika Mann, Thomas Mann, Mantovani, Marchiani, Marinho, Marinos, Markov, Marques, Maset Campos, Martelli, Martens, Hans-Peter Martin, Hugues Martin, Martinez, Martínez Martínez, Mastella, Mastorakis, Mathieu, Matikainen-Kallström, Hans-Peter Mayer, Xaver Mayer, Mayol i Raynal, Medina Ortega, Meijer, Méndez de Vigo, Mendiluce Pereiro, Menéndez del Valle, Menrad, Miguélez Ramos, Miller, Miranda de Lage, Modrow, Mombaur, Monsonís Domingo, Montfort, Moraes, Morgantini, Morillon, Müller, Mulder, Murphy, Muscardini, Musotto, Mussa, Musumeci, Myller, Nair, Napolitano, Naranjo Escobar, Nassauer, Newton Dunn, Nicholson, Niebler, Nisticò, Nobilia, Nogueira Román, Nordmann, Obiols i Germà, Olsson, Ó Neachtain, Onesta, Oomen-Ruijten, Oreja Arburúa, Ortuondo Larrea, O'Toole, Paasilinna, Pacheco Pereira, Paciotti, Pack, Paisley, Parish, Pasqua, Pastorelli, Patakis, Patrie, Paulsen, Pérez Álvarez, Pérez Royo, Perry, Pesälä, Pex, Piecyk, Piétrasanta, Pirker, Piscarreta, Pisicchio, Pittella, Plooij-van Gorsel, Podestà, Poettering, Pohjamo, Poignant, Poli Bortone, Poos, Posselt, Prets, Procacci, Pronk, Puerta, Purvis, Queiró, Quisthoudt-Rowohl, Rack, Radwan, Rapkay, Raschhofer, Raymond, Read, Redondo Jiménez, Ribeiro e Castro, Ries, Riis-Jørgensen, Ripoll y Martínez de Bedoya, Rocard, Rod, de Roo, Roth-Behrendt, Rothe, Roure, Rovsing, Rübige, Rühle, Ruffolo, Rutelli, Sacconi, Sacrédeus, Saint-Josse, Sakellariou, Salafranca Sánchez-Neyra, Sandberg-Fries, Sandbæk, Santer, Santini, dos Santos, Sartori, Sauquillo Pérez del Arco, Savary, Sbarbati, Scallon, Scapagnini, Scarbonchi, Schaffner, Scheele, Schierhuber, Schleicher, Gerhard Schmid, Herman Schmid, Olle Schmidt, Schmitt, Schnellhardt, Schörling, Ilka Schröder, Jürgen Schröder, Schroedter, Schulz, Schwaiger, Segni, Seppänen, Simpson, Sjöstedt, Skinner, Smet, Soares, Sørensen, Sommer, Sornosa Martínez, Souchet, Souladakis, Sousa Pinto, Speroni, Stenmarck, Stenzel, Sterckx, Stevenson, Stihler, Stockmann, Stockton, Sturdy, Sudre, Sumberg, Suominen, Swiebel, Swoboda, Sørensen, Tajani, Tannock, Terrón i Cusí, Theato, Theorin, Thomas-Mauro, Thorning-Schmidt, Thors, Titford, Titley, Torres Marques, Trakatellis, Turchi, Turco, Turmes, Twinn, Uca, Vachetta, Väyrynen, Vairinhos, Valdivielso de Cué, Valenciano Martínez-Orozco, Vallvé, Van Hecke, Van Orden, Varaut, Varela Suanzes-Carpegna, van Velzen, Vermeer, de Veyrinas, Vidal-Quadras Roca, Villiers, Vinci, Virrankoski, Vlasto, Voggenhuber, Volcic, Wallis, Walter, Watson, Watts, Wenzel-Perillo, Whitehead, Wiersma, Wijkman, von Wogau, Wuermeling, Wuori, Wurtz, Wyn, Wynn, Zabell, Zacharakis, Zappalà, Zimeray, Zimmerling, Zissener, Zorba, Zrihen

Tuesday 13 January 2004

Observers

Bagó, Balla, Bastys,, Beneš, Biela, Bielan, Bonnici, Mihael Brejc, Chronowski, Zbigniew Chrzanowski, Čilevičs, Czinege, Demetriou, Didžiokas,, Ékes, Falbr, Fazakas,, Filipek, Gadzinowski, Gałażewski, Gawłowski, Germič, Giertych, Grzebisz-Nowicka, Grzyb, Hegyi, Heriban, Ilves, Jerzy Jaskiernia, Kamiński, Kelemen, Kiršteins, Klich, Kłopotek, Klukowski,, Konečná, Kósáné Kovács, Kowalska,, Kriščiūnas, Daniel Kroupa, Kuzmickas, Kvietauskas, Laar, Lepper, Janusz Lewandowski, Libicki, Lisak, Litwiniec, Lydeka, Łyżwiński, Macierewicz, Maldeikis, Mallotová, Manninger, Matsakis, Mavrou, Palečková, Pasternak, Pęczak, Alojz Peterle, Pieniążek, Plokšto, Podgórski, Pospíšil, Protasiewicz, Janno Reiljan, Rutkowski, Savi, Sefzig, Siekierski, Smoleń, Smorawiński, Surján, Svoboda, Szájer, Szczygło, Tabajdi,, Tomaka, Tomczak, Vaculík, Vadaí, Valys,, Vastagh, Vella, Vésaité, Widuch, Wiśniowska, Wittbrodt, Janusz Czeskaw Wojciechowski, Záborská, Żenkiewicz, Žiak

Tuesday 13 January 2004

ANNEX I

RESULTS OF VOTES

Abbreviations and symbols

+	adopted
-	rejected
↓	lapsed
W	withdrawn
RCV (... , ... , ...)	roll-call vote (for, against, abstentions)
EV (... , ... , ...)	electronic vote (for, against, abstentions)
split	split vote
sep	separate vote
am	amendment
CA	compromise amendment
CP	corresponding part
D	deleting amendment
=	identical amendments
§	paragraph
art	article
rec	recital
MOT	motion for a resolution
JT MOT	joint motion for a resolution
SEC	secret ballot

1. Community plant variety rights *

Report: DAUL (A5-0482/2003)

Subject	RCV, etc.	Vote	RCV/EV — remarks
single vote	RCV	+	373, 8, 12

Requests for roll-call votes

PPE-DE single vote

2. Controls on fishing for certain highly migratory fish *

Report: MCKENNA (A5-0438/2003)

Subject	RCV, etc.	Vote	RCV/EV — remarks
single vote		+	

Tuesday 13 January 2004

3. Technical conservation measures for certain highly migratory species *

Report: PIÉTRASANTA (A5-0439/2003)

Subject	RCV, etc.	Vote	RCV/EV — remarks
<i>single vote</i>		+	

4. New narcotic and synthetic drugs *

Report: PIRKER (A5-0483/2003)

Subject	RCV, etc.	Vote	RCV/EV — remarks
<i>single vote</i>		+	

5. UN convention and protocols against transnational organised crime, smuggling of migrants and trafficking in persons

Report: ROURE (A5-0485/2003)

Subject	RCV, etc.	Vote	RCV/EV — remarks
<i>single vote</i>		+	

6. Combating ship-source pollution *

Report: DI LELLO FINUOLI (A5-0373/2003)

Subject	RCV, etc.	Vote	RCV/EV — remarks
<i>single vote</i>		+	

7. Introduction of sanctions for pollution offences ***

Report: PEX (A5-0388/2003)

Subject	Am no.	Author	RCV, etc.	Vote	RCV/EV — remarks
<i>amendments by committee responsible — block vote</i>	1 3—5 9 11—13 17—21 23	<i>committee</i>		+	

Tuesday 13 January 2004

Subject	Am no.	Author	RCV, etc.	Vote	RCV/EV — remarks
amendments by committee responsible — separate votes	2	committee	sep	+	
	6	committee	split		
			1/RCV	+	468, 3, 12
			2/RCV	+	382, 82, 20
	8	committee	sep/ EV	+	260, 218, 8
	14	committee	sep	+	
	16	committee	sep	+	
	22	committee	RCV	+	392, 71, 33
24	committee	sep	+		
art 2, § 3	10	committee	EV	+	272, 223, 9
	26	Verts/ALE		↓	
after art 5	27	Verts/ALE	RCV	+	309, 202, 2
art 6, § 1	29	PSE		+	
	15	committee		↓	
art 6, after § 6	28	Verts/ALE	RCV	-	247, 263, 3
art 8, point (b)	30	PSE		+	
	33	ELDR		↓	
after annex 2	34	ELDR		↓	
after recital 1	25	Verts/ALE		-	
after recital 2	31	ELDR		+	
after recital 8	32	ELDR		+	
	7	committee		↓	
vote: amended proposal				+	
vote: legislative resolution				+	

Requests for roll-call votes

PPE-DE ams 6, 22
 Verts/ALE ams 26, 28
 GUE/NGL am 22

Requests for separate vote

PSE ams 8, 14, 24
 ELDR ams 2, 16
 EDD ams 6, 22

Requests for split votes

PPE-DE

am 6

1st part: up to 'are identified'
 2nd part: remainder

Tuesday 13 January 2004

8. Transfer of cargo and passenger ships between registers ***

Report: POIGNANT (A5-0413/2003)

Subject	Am no.	Author	RCV, etc.	Vote	RCV/EV — remarks
amendments by committee responsible — separate votes	1	committee	RCV	-	137, 369, 6
	2	committee	RCV	-	44, 458, 5
	3	committee		+	
text as a whole(block vote)	4—18	PSE		+	
vote: amended proposal				+	
vote: legislative resolution				+	

Amendment 19 had been cancelled

Requests for separate vote

PPE-DE ams 1, 2

EDD ams 1, 2

PSE ams 1, 2

Requests for roll-call votes

Verts/ALE ams 1, 2

Mrs Foster et al ams 1, 2

9. Management of nuclear waste *

Report: VIDAL-QUADRAS ROCA (A5-0442/2003)

Subject	Am no.	Author	RCV, etc.	Vote	RCV/EV — remarks
amendments by committee responsible — block vote	1—4 7 9—11	committee		+	
art 1 and up to art 3, § 2	16	Verts/ALE	RCV	+	308, 201, 6
	17	Verts/ALE		-	
	18	Verts/ALE		-	
	19	Verts/ALE	RCV	+	310, 186, 20
	20	Verts/ALE	RCV	-	134, 373, 10
art 3, § 6	5	committee		+	
	21	Verts/ALE		-	
art 3, after § 6	22	Verts/ALE	EV	+	288, 196, 25
art 4, § 3	23D	Verts/ALE		-	
	6	committee		+	
art 4, § 4	24D	Verts/ALE		-	
art 4, after § 4 and § 5	26	Verts/ALE	RCV	-	124, 385, 7
	25D	Verts/ALE		-	

Tuesday 13 January 2004

Subject	Am no.	Author	RCV, etc.	Vote	RCV/EV — remarks
art 4, § 6	27	Verts/ALE		-	
	8	committee		+	
after art 5 and after annex 1	28	Verts/ALE		+	
	29	Verts/ALE		+	
rec	13	Verts/ALE	RCV	-	194, 324, 8,
	14	Verts/ALE		-	
	15	Verts/ALE		-	
vote: amended proposal				+	
vote: legislative resolution				+	

Amendment 12 had been declared inadmissible pursuant to Rule 63(5)

Requests for roll-call votes

Verts/ALE ams 13, 16, 19, 20, 26

10. Safety of nuclear installations *

Report: SEPPÄNEN (A5-0441/2003)

Subject	Am no.	Author	RCV, etc.	Vote	RCV/EV — remarks
amendments by committee responsible — block vote	1—3 6 8 10 16—18 20—22	committee		+	
amendments by committee responsible — separate votes	9	committee	sep	+	
	11	committee	RCV	+	335, 182, 5
	12	committee	split		
			1	+	
	14—15	committee	2	+	
			split		
			1	+	
art 1, § 1	27	Verts/ALE		-	
	7 cp	committee		+	
art 1, § 2	7 cp	committee		+	
art 5	28	Verts/ALE	RCV	+	299, 210, 12
after art 6	29	Verts/ALE	RCV	+	275, 240, 2

Tuesday 13 January 2004

Subject	Am no.	Author	RCV, etc.	Vote	RCV/EV — remarks
art 9, § 2	30	Verts/ALE	RCV	+	299, 212, 11
	13	committee		↓	
art 12, § 1	31	Verts/ALE		-	
	19cp	committee		+	
art 12, § 2 and 3	19cp	committee		+	
art 12, § 4	32	Verts/ALE		-	
	19cp	committee		+	
art 12, § 4 and 5	19cp	committee		+	
art 12, after § 6	19cp	committee		+	
	33	Verts/ALE		-	
after art 13	34	Verts/ALE		-	
annex, introduction	23D	committee		+	
	35—41	Verts/ALE		↓	
recital 10	4	committee		+	
	24	Verts/ALE	EV	-	222, 285, 3
recital 11	5	committee		+	
	25	Verts/ALE	EV	-	198, 313, 7
vote: amended proposal				+	
vote: legislative resolution				+	

Amendment 26 had been declared inadmissible pursuant to Rule 63(5)

Requests for roll-call votes

Verts/ALE ams 11, 28, 29, 30

Requests for split votes

PPE-DE

ams 14—15 (merged)

1st part: text as a whole except the words 'are guaranteed in the event make good any liabilities'

2nd part: those words

Verts/ALE

am 7

1st part: paragraph 1

2nd part: paragraph 2

am 12

1st part: text as a whole except for the deletion of the word 'common'

2nd part: deletion of the word 'common'

Requests for separate vote

PPE-DE ams 9, 11

Tuesday 13 January 2004

11. Euratom loans for nuclear power stations *

Report: BREYER (A5-0443/2003)

Subject	Am no.	Author	RCV, etc.	Vote	RCV/EV — remarks
amendments by committee responsible — block vote	3—8 10—13	committee	EV	+	138, 72, 1
amendments by committee responsible — separate votes	2	committee	sep	+	
art 1, § 1	9	committee		+	
	17	Verts/ALE	RCV	↓	
art 1, § 1, indents 1 to 3a	18	Verts/ALE	EV	-	85, 172, 7
	19	Verts/ALE	RCV	-	71, 235, 11
	20	Verts/ALE		-	
	21	Verts/ALE		-	
art 1, § 2	22	Verts/ALE		-	
after recital 2	14	Verts/ALE		-	
rec 6	15	Verts/ALE	EV	-	121, 246, 7
	1	committee		+	
after recital 6	16	Verts/ALE		-	
vote: amended proposal				+	
vote: legislative resolution				+	

Requests for separate vote

PPE-DE am 2

Requests for roll-call votes

Verts/ALE am 19

12. Arctic agriculture

Report: PESÄLÄ (A5-0463/2003)

Subject	Am no.	Author	RCV, etc.	Vote	RCV/EV — remarks
§ 3	1	PSE	EV	+	312, 92, 25
vote: resolution (as a whole)			RCV	+	417, 4, 22

Requests for roll-call votes

PPE-DE final vote

Tuesday 13 January 2004

13. The operating framework for the European Regulatory Agencies

Report: ALMEIDA GARRETT (A5-0471/2003)

Subject	Am no.	Author	RCV, etc.	Vote	RCV/EV — remarks
§ 8	2	ELDR		+	
§ 17, point (d)	3	ELDR		+	
§ 17, point (g)	4	ELDR		+	
recital E	1	ELDR		+	
vote: resolution (as a whole)				+	

Tuesday 13 January 2004

ANNEX II

RESULT OF ROLL-CALL VOTES

Daul report A5-0482/2003

Resolution

For: 373

EDD: Abitbol, Bernié, Butel, Coûteaux, Esclopé, Kuntz, Mathieu

ELDR: Andreasen, Attwooll, Boogerd-Quaak, van den Bos, Busk, Calò, Clegg, De Clercq, Duff, Flesch, Gasòliba i Böhm, Jensen, Ludford, Lynne, Maaten, Malmström, Manders, Monsonís Domingo, Mulder, Newton Dunn, Nordmann, Olsson, Pesälä, Pohjamo, Procacci, Riis-Jørgensen, Sbarbati, Sterckx, Sørensen, Väyrynen, Vallvé, Van Hecke, Wallis, Watson

GUE/NGL: Ainardi, Bakopoulos, Bergaz Conesa, Bertinotti, Blak, Bordes, Boudjenah, Brie, Caudron, Di Lello Finuoli, Fiebigler, Figueiredo, Frahm, Jové Peres, Kaufmann, Koulourianos, Krarup, Krivine, Manisco, Markov, Maset Campos, Meijer, Puerta, Scarbonchi, Schmid Herman, Schröder Ilka, Seppänen, Uca, Vachetta, Vinci, Wurtz

NI: Berthu, Beysen, Claeys, Dillen, Garaud, de Gaulle, Gollnisch, Hager, Kronberger, Lang, de La Perriere, Martinez, Souchet

PPE-DE: Almeida Garrett, Arvidsson, Atkins, Averoff, Avilés Perea, Ayuso González, Banotti, Bayona de Perogordo, Bébéar, Berend, Bodrato, Böge, Bourlanges, Bowis, Bradbourn, Bremmer, Brok, Bushill-Matthews, Callanan, Camisón Asensio, Cardoso, Chichester, Cocilovo, Coelho, Cornillet, Corrie, Cushnahan, Daul, Deprez, De Sarnez, Descamps, De Veyrac, Dimitrakopoulos, Dover, Ebner, Elles, Evans Jonathan, Fatuzzo, Ferber, Fernández Martín, Fiori, Florenz, Folias, Foster, Fourtou, Friedrich, Gahler, Galeote Quecedo, García-Margallo y Marfil, Garriga Polledo, Gawronski, Gemelli, Glase, Goepel, Gomolka, Goodwill, Gouveia, Grossetête, Hansenne, Harbour, Heaton-Harris, Helmer, Hermange, Hernández Mollar, Herranz García, Hieronymi, Inglewood, Jeggler, Keppelhoff-Wiechert, Khanbhai, Kirkhope, Klamt, Knolle, Lamassoure, Langen, Laschet, Lechner, Lehne, Lisi, Lulling, Maat, Marinos, Martens, Martin Hugues, Matikainen-Kallström, Mayer Hans-Peter, Méndez de Vigo, Menrad, Mombaur, Montfort, Morillon, Musotto, Naranjo Escobar, Nassauer, Nicholson, Pack, Parish, Pastorelli, Pérez Álvarez, Perry, Pex, Piscarreta, Podestà, Posselt, Rack, Ripoll y Martínez de Bedoya, Roving, Rübig, Salafranca Sánchez-Neyra, Santer, Santini, Sartori, Schaffner, Schmitt, Schnellhardt, Schwaiger, Smet, Sommer, Stenmarck, Stenzel, Stevenson, Stockton, Sturdy, Sudre, Sumberg, Tajani, Tannock, Theato, Thyssen, Trakatellis, Twinn, Valdivielso de Cué, Van Orden, Varela Suanzes-Carpegna, van Velzen, de Veyrinas, Vidal-Quadras Roca, Villiers, Vlasto, Wenzel-Perillo, von Wogau, Zabell, Zacharakis, Zappalà, Zimmerling, Zissener

PSE: Andersson, Aparicio Sánchez, Baltas, Barón Crespo, Berenguer Fuster, Berès, van den Berg, Berger, Bösch, Bowe, Bullmann, Campos, Carlotti, Carnero González, Carraro, Cercas, Colom i Naval, Corbett, Corbey, Darras, Dehousse, De Keyser, De Rossa, Désir, Duhamel, Ettl, Evans Robert J.E., Färm, Fava, Ferreira, Ford, Fruteau, Garot, Gebhardt, Gill, Gillig, Görlach, Guy-Quint, Hänsch, Honeyball, Howitt, Hughes, van Hulst, Hume, Iivari, Jöns, Karamanou, Karlsson, Keßler, Kindermann, Kreissl-Dörfler, Kuckelkorn, Kuhne, Lalumière, Lange, Linkohr, Lund, McAvan, McNally, Malliori, Martin Hans-Peter, Martínez Martínez, Mastorakis, Medina Ortega, Mendiluce Pereiro, Menéndez del Valle, Miller, Miranda de Lage, Murphy, Napoletano, Paasilinna, Paciotti, Patrie, Piecyk, Poignant, Poos, Prets, Read, Rocard, Roth-Behrendt, Roure, Sacconi, Sakellariou, dos Santos, Sauquillo Pérez del Arco, Savary, Scheele, Schmid Gerhard, Simpson, Soares, Souladakis, Stockmann, Swiebel, Swoboda, Theorin, Titley, Torres Marques, Vairinhos, Valenciano Martínez-Orozco, Volcic, Watts, Whitehead, Wynn, Zorba, Zrihen

UEN: Andrews, Caullery, Hyland, Musumeci, Pasqua, Queiró, Ribeiro e Castro, Segni, Turchi

Verts/ALE: Aaltonen, Ahern, Boumediene-Thiery, Bouwman, Breyer, Buitenweg, Celli, Dhaene, Flautre, Graefe zu Baringdorf, Isler Béguin, Jonckheer, Lagendijk, Lambert, Lannoye, MacCormick, McKenna, Maes, Mayol i Raynal, Nogueira Román, Onesta, Piétrasanta, Rod, de Roo, Schroedter, Sörensen, Wuori, Wyn

Tuesday 13 January 2004

Against: 8**EDD:** Belder, Blokland, Bonde, Booth, van Dam, Farage, Sandbæk, Titford**Abstention: 12****ELDR:** Formentini**GUE/NGL:** Cauquil, Laguiller, Patakis**NI:** Borghezio, Cappato, Della Vedova, Dupuis, Gobbo, Pannella, Speroni, Turco**Pex report A5-0388/2003****Amendment 6, 1st part****For: 468****EDD:** Abitbol, Andersen, Belder, Bernié, Blokland, Bonde, Butel, Coûteaux, van Dam, Esclopé, Kuntz, Mathieu, Saint-Josse, Sandbæk**ELDR:** André-Léonard, Attwooll, Boogerd-Quaak, van den Bos, Calò, Clegg, De Clercq, Duff, Dybkjær, Flesch, Formentini, Gasòliba i Böhm, Ludford, Lynne, Maaten, Malmström, Manders, Martelli, Monsonís Domingo, Mulder, Newton Dunn, Nordmann, Olsson, Paulsen, Pesälä, Plooj-van Gorsel, Pohjamo, Procacci, Sbarbati, Schmidt, Sterckx, Väyrynen, Vallvé, Van Hecke, Wallis, Watson**GUE/NGL:** Ainardi, Bakopoulos, Bergaz Conesa, Bertinotti, Blak, Bordes, Boudjenah, Brie, Caudron, Cauquil, Di Lello Finuoli, Fiebiger, Frahm, Fraisse, Jové Peres, Kaufmann, Korakas, Koulourianos, Krivine, Laguiller, Manisco, Markov, Maset Campos, Meijer, Modrow, Morgantini, Nair, Patakis, Puerta, Scarbonchi, Schmid Herman, Schröder Ilka, Seppänen, Sjöstedt, Uca, Vachetta, Vinci, Wurtz**NI:** Berthu, Beysen, Borghezio, Cappato, Claeys, Della Vedova, Dillen, Dupuis, Garaud, de Gaulle, Gobbo, Gollnisch, Gorostiaga Atxalandabaso, Hager, Kronberger, Lang, de La Perriere, Martinez, Pannella, Souchet, Speroni, Turco, Varaut**PPE-DE:** Almeida Garrett, Arvidsson, Atkins, Averoff, Avilés Perea, Ayuso González, Banotti, Bartolozzi, Bastos, Bayona de Perogordo, Beazley, Bébéar, Berend, Bodrato, Böge, Bourlanges, Bowis, Bradbourn, Bremmer, Brok, Bushill-Matthews, Callanan, Camisón Asensio, Cardoso, Cederschiöld, Chichester, Cocilovo, Coelho, Cornillet, Corrie, Costa Raffaele, Cushnahan, Daul, Deprez, De Sarnez, Descamps, De Veyrac, Dimitrakopoulos, Dover, Ebner, Elles, Evans Jonathan, Fatuzzo, Ferber, Fernández Martín, Ferrer, Fiori, Flemming, Florenz, Folias, Foster, Fournou, Friedrich, Gahler, Galeote Quecedo, García-Margallo y Marfil, García-Orcoyen Tormo, Garriga Polledo, Gawronski, Gemelli, Gil-Robles Gil-Delgado, Glase, Goepel, Gomolka, Goodwill, Gouveia, Grönfeldt Bergman, Grossetête, Gutiérrez-Cortines, Hansen, Harbour, Heaton-Harris, Helmer, Hermange, Hernández Mollar, Herranz García, Hieronymi, Hortefeux, Inglewood, Jeggler, Karas, Kastler, Keppelhoff-Wiechert, Khanbhai, Kirkhope, Klamt, Knolle, Koch, Lamassoure, Langen, Langenhagen, Laschet, Lechner, Lehne, Liese, Lisi, Lulling, Maat, McCartin, Mann Thomas, Marinos, Marques, Martens, Martin Hugues, Mastella, Matikainen-Kallström, Mayer Hans-Peter, Mayer Xaver, Méndez de Vigo, Menrad, Mombaur, Morillon, Musotto, Naranjo Escobar, Nassauer, Nicholson, Niebler, Oomen-Ruijten, Pacheco Pereira, Pack, Parish, Pastorelli, Pérez Álvarez, Perry, Pex, Pirker, Píscarreta, Podestà, Poettering, Pomés Ruiz, Posselt, Pronk, Purvis, Rack, Radwan, Redondo Jiménez, Ripoll y Martínez de Bedoya, Rovsing, Rübigen, Salafraña Sánchez-Neyra, Santer, Santini, Sartori, Scallon, Schaffner, Schierhuber, Schleicher, Schmitt, Schnellhardt, Schwaiger, Smet, Sommer, Stenmarck, Stenzel, Stevenson, Stockton, Sturdy, Sudre, Sumberg, Suominen, Tajani, Tannock, Theato, Thyssen, Trakatellis, Twinn, Valdivielso de Cué, Van Orden, Varela Suanzes-Carpegna, van Velzen, de Veyrinas, Vidal-Quadras Roca, Villiers, Vlasto, Wenzel-Perillo, Wijkman, von Wogau, Zabell, Zacharakis, Zappalà, Zimmerling, Zissener**PSE:** Andersson, Aparicio Sánchez, Baltas, Barón Crespo, Berenguer Fuster, Berès, van den Berg, Berger, Bösch, Bowe, Campos, Carlotti, Carnero González, Carraro, Casaca, Cercas, Cerdeira Morterero, Colom i Naval, Corbett, Corbey, Darras, Dehousse, De Keyser, De Rosa, Désir, Díez González, Dührkop Dührkop, Duhamel, Duin, Ettl, Evans Robert J.E., Färm, Fava, Ferreira, Ford, Fruteau, Garot, Gebhardt, Gill, Gillig, Goebbels, Görlach, Gröner, Guy-Quint, Hänsch, Haug, Hazan, Hedkvist Petersen, Honeyball, Howitt, Hughes, van Hulten, Hume, Iivari, Izquierdo Rojo, Jöns, Karamanou, Karlsson, Keßler, Kindermann, Krehl, Kreissl-Dörfler, Kuckelkorn, Kuhne, Lage, Lalumière, Lange, Leinen, Linkohr, Lund, McAvan, McNally, Malliori, Marinho, Martin Hans-Peter, Martínez Martínez, Mastorakis, Medina Ortega, Mendiluce Pereiro,

Tuesday 13 January 2004

Menéndez del Valle, Miguélez Ramos, Miller, Miranda de Lage, Müller, Murphy, Myller, Napoletano, O'Toole, Paasilinna, Paciotti, Patrie, Piecyk, Poignant, Poos, Prets, Rapkay, Read, Rocard, Roth-Behrendt, Rothe, Roure, Sacconi, Sakellariou, Sandberg-Fries, dos Santos, Sauquillo Pérez del Arco, Savary, Scheele, Schmid Gerhard, Schulz, Simpson, Skinner, Soares, Souladakis, Stockmann, Swibel, Swoboda, Theorin, Titley, Torres Marques, Vairinhos, Valenciano Martínez-Orozco, Volcic, Watts, Whitehead, Wynn, Zorba, Zrihen

UEN: Berlato, Caullery, Marchiani, Mussa, Musumeci, Nobilia, Queiró, Ribeiro e Castro, Segni, Turchi

Verts/ALE: Aaltonen, Ahern, Boumediene-Thiery, Bouwman, Breyer, Buitenweg, Celli, Dhaene, Echerer, Evans Jillian, Flautre, Frassoni, Gahrton, Graefe zu Baringdorf, Hudghton, Isler Béguin, Jonckheer, Lagendijk, Lambert, Lannoye, Lipietz, Lucas, MacCormick, McKenna, Maes, Mayol i Raynal, Nogueira Román, Onesta, Piétrasanta, Rod, de Roo, Rühle, Schroedter, Sørensen, Voggenhuber, Wuori, Wyn

Against: 3

GUE/NGL: Figueiredo

PPE-DE: Sacrédeus

PSE: Mann Erika

Abstention: 12

EDD: Booth, Farage, Titford

ELDR: Andreasen, Busk, Jensen, Riis-Jørgensen, Sørensen

GUE/NGL: Krarup

UEN: Andrews, Fitzsimons, Hyland

Pex report A5-0388/2003

Amendment 6, 2nd part

For: 382

ELDR: André-Léonard, Attwooll, Boogerd-Quaak, van den Bos, Clegg, De Clercq, Duff, Dybkjær, Fleisch, Formentini, Gasòliba i Böhm, Ludford, Lynne, Maaten, Malmström, Manders, Martelli, Monsonís Domingo, Mulder, Newton Dunn, Nordmann, Olsson, Paulsen, Plooi-j-van Gorsel, Procacci, Sbarbati, Schmidt, Sterckx, Vallvé, Van Hecke, Wallis, Watson

GUE/NGL: Bakopoulos, Bergaz Conesa, Bertinotti, Blak, Bordes, Brie, Caudron, Cauquil, Di Lello Finuoli, Fiebiger, Fraisse, Jové Peres, Kaufmann, Koulourianos, Krivine, Laguiller, Manisco, Marset Campos, Meijer, Modrow, Morgantini, Nair, Puerta, Scarbonchi, Schröder Ilka, Uca, Vachetta, Vinci

NI: Beysen, Borghezio, Cappato, Della Vedova, Dupuis, Gobbo, Hager, Kronberger, Pannella, Speroni, Turco

PPE-DE: Almeida Garrett, Averoff, Avilés Perea, Ayuso González, Banotti, Bartolozzi, Bastos, Bayona de Perogordo, Bébéar, Berend, Bodrato, Böge, Boursanges, Bremmer, Brok, Camisón Asensio, Cardoso, Cocilovo, Coelho, Cornillet, Costa Raffaele, Cushnahan, Daul, Deprez, De Sarnez, Descamps, De Veyrac, Dimitrakopoulos, Ebner, Fatuzzo, Ferber, Fernández Martín, Ferrer, Fiori, Flemming, Florenz, Folias, Fourtou, Friedrich, Gahler, Galeote Quecedo, García-Margallo y Marfil, García-Orcoyen Tormo, Gargani, Garriga Polledo, Gawronski, Gemelli, Gil-Robles Gil-Delgado, Glase, Goepel, Gomolka, Gouveia, Grossetête, Gutiérrez-Cortines, Hansenne, Hermange, Hernández Mollar, Herranz García, Hieronymi, Hortefeux, Jeggle, Karas, Kastler, Keppelhoff-Wiechert, Klamt, Knolle, Koch, Lamassoure, Langen, Langenhagen, Lechner, Lehne, Liese, Lisi, Lulling, Maat, McCartin, Marinos, Marques, Martens, Martin Hugues, Mastella, Mayer Hans-Peter, Mayer Xaver, Méndez de Vigo, Menrad, Montfort, Morillon, Musotto, Naranjo Escobar, Nassauer, Niebler, Oomen-Ruijten, Pacheco Pereira, Pack, Pastorelli, Pérez Álvarez, Pex, Piscarreta, Podestà, Poettering, Pomés Ruiz, Posselt, Pronk, Rack, Radwan, Ripoll y Martínez de Bedoya, Rovsing, Rübig, Salafrañca Sánchez-Neyra, Santer, Santini, Sartori, Schaffner, Schierhuber, Schleicher, Schmitt, Schnellhardt, Schwaiger, Smet, Sommer, Stenzel, Stockton, Sudre, Tajani, Theato, Thyssen, Trakatellis, Valdivielso de Cué, Varela Suanzes-Carpegna, van Velzen, de Veyrinas, Vidal-Quadras Roca, Vlasto, Wenzel-Perillo, Wijkman, von Wogau, Wuermeling, Zabell, Zacharakis, Zappalà, Zimmerling, Zissener

Tuesday 13 January 2004

PSE: Andersson, Aparicio Sánchez, Baltas, Barón Crespo, Berenguer Fuster, Berès, van den Berg, Berger, Bösch, Bowe, Bullmann, Campos, Carlotti, Carnero González, Carraro, Casaca, Cercas, Cerdeira Morterero, Colom i Naval, Corbett, Corbey, Darras, Dehousse, De Keyser, Désir, Díez González, Dührkop Dührkop, Duhamel, Duin, El Khadraoui, Ettl, Evans Robert J.E., Färm, Fava, Ferreira, Ford, Fruteau, Garot, Gebhardt, Gill, Gillig, Goebbels, Görlach, Gröner, Guy-Quint, Hänsch, Haug, Hazan, Hedkvist Petersen, Honeyball, Howitt, Hughes, van Hulten, Hume, Iivari, Izquierdo Rojo, Jöns, Karamanou, Karlsson, Keßler, Kindermann, Kinnock, Krehl, Kreissl-Dörfler, Kuckelkorn, Kuhne, Lage, Lalumière, Lange, Leinen, Linkohr, Lund, McAvan, McNally, Malliori, Mann Erika, Marinho, Martin Hans-Peter, Martínez Martínez, Mastorakis, Medina Ortega, Mendiluce Pereiro, Menéndez del Valle, Miguélez Ramos, Miller, Miranda de Lage, Moraes, Müller, Murphy, Myller, Napoletano, O'Toole, Paasilinna, Paciotti, Patrie, Piecyk, Poignant, Poos, Prets, Rapkay, Read, Rocard, Roth-Behrendt, Rothe, Roure, Sacconi, Sakellariou, dos Santos, Sauquillo Pérez del Arco, Savary, Scheele, Schmid Gerhard, Schulz, Simpson, Soares, Souladakis, Stockmann, Swoboda, Thorning-Schmidt, Titley, Torres Marques, Vairinhos, Valenciano Martínez-Orozco, Volcic, Watts, Whitehead, Wynn, Zorba, Zrihen

UEN: Segni

Verts/ALE: Aaltonen, Ahern, Auroi, Boumediene-Thiery, Bouwman, Breyer, Buitenweg, Celli, Dhaene, Echerer, Evans Jillian, Flautre, Frassoni, Gahrton, Graefe zu Baringdorf, Hudghton, Isler Béguin, Jonckheer, Lagendijk, Lambert, Lannoye, Lipietz, Lucas, MacCormick, McKenna, Maes, Mayol i Raynal, Nogueira Román, Onesta, Piétrasanta, Rod, de Roo, Rühle, Schroedter, Sørensen, Voggenhuber, Wuori, Wyn

Against: 82

EDD: Abitbol, Andersen, Belder, Bernié, Blokland, Bonde, Booth, Butel, Coûteaux, van Dam, Esclopé, Farage, Kuntz, Mathieu, Saint-Josse, Sandbæk, Titford

ELDR: Pesälä, Pohjamo, Väyrynen

GUE/NGL: Figueiredo, Frahm, Korakas, Krarup, Patakis, Schmid Herman, Seppänen, Sjöstedt

NI: Berthu, Claeys, Dillen, Garaud, de Gaulle, Gollnisch, Lang, de La Perriere, Martinez, Souchet, Varaut

PPE-DE: Arvidsson, Atkins, Balfe, Beazley, Bowis, Bradbourn, Bushill-Matthews, Callanan, Cederschiöld, Chichester, Corrie, Dover, Elles, Evans Jonathan, Foster, Goodwill, Grönfeldt Bergman, Harbour, Heaton-Harris, Helmer, Inglewood, Khanbhai, Kirkhope, Matikainen-Kallström, Nicholson, Parish, Perry, Purvis, Sacrédeus, Scallon, Stenmarck, Stevenson, Sturdy, Sumberg, Suominen, Tannock, Twinn, Van Orden, Villiers

UEN: Caullery, Collins, Marchiani, Pasqua

Abstention: 20

ELDR: Andreasen, Busk, Calò, Jensen, Riis-Jørgensen, Sørensen

GUE/NGL: Ainardi, Boudjenah, Markov, Wurtz

UEN: Andrews, Berlato, Fitzsimons, Hyland, Mussa, Musumeci, Nobilia, Queiró, Ribeiro e Castro, Turchi

Pex report A5-0388/2003

Amendment 22

For: 392

EDD: Andersen, Bonde, Sandbæk

ELDR: André-Léonard, Attwooll, Boogerd-Quaak, van den Bos, Calò, Clegg, De Clercq, Duff, Dybkjær, Flesch, Formentini, Gasòliba i Böhm, Ludford, Lynne, Maaten, Malmström, Manders, Martelli, Monsonís Domingo, Mulder, Newton Dunn, Nordmann, Olsson, Paulsen, Plooi-j-van Gorsel, Ries, Sbarbati, Schmidt, Sterckx, Vallvé, Van Hecke, Wallis

GUE/NGL: Bakopoulos, Bergaz Conesa, Bertinotti, Blak, Bordes, Brie, Caudron, Cauquil, Di Lello Finuoli, Fiebigger, Fraisse, Jové Peres, Kaufmann, Koulourianos, Krivine, Laguiller, Manisco, Markov, Maset Campos, Meijer, Modrow, Morgantini, Naïr, Puerta, Scarbonchi, Schröder Ilka, Uca, Vachetta, Vinci

Tuesday 13 January 2004

NI: Beysen, Borghezio, Cappato, Della Vedova, Dupuis, Gobbo, Gorostiaga Atxalandabaso, Hager, Kronberger, Pannella, Speroni, Turco

PPE-DE: Almeida Garrett, Arvidsson, Averoff, Avilés Perea, Ayuso González, Banotti, Bartolozzi, Bastos, Bayona de Perogordo, Bébéar, Berend, Bodrato, Böge, Bourlanges, Bremmer, Brok, Camisón Asensio, Cardoso, Cocolovo, Coelho, Cornillet, Costa Raffaele, Cushnahan, Daul, Deprez, De Sarnez, Descamps, De Veyrac, Dimitrakopoulos, Doyle, Ebner, Fatuzzo, Ferber, Fernández Martín, Ferrer, Fiori, Flemming, Florenz, Folias, Fourtou, Friedrich, Gahler, Galeote Quecedo, García-Margallo y Marfil, García-Orcoyen Tormo, Gargani, Garriga Polledo, Gawronski, Gemelli, Gil-Robles Gil-Delegado, Glase, Goepel, Gomolka, Gouveia, Grossetête, Gutiérrez-Cortines, Hansenne, Hatzidakis, Hermange, Hernández Mollar, Herranz García, Hieronymi, Hortefeux, Jarzembowski, Jeggle, Karas, Kastler, Keppelhoff-Wiechert, Klamt, Knolle, Koch, Konrad, Lamassoure, Langen, Langenhagen, Laschet, Lechner, Lehne, Liese, Lisi, Lulling, Maat, McCartin, Mann Thomas, Marinos, Marques, Martens, Martin Hugues, Mastella, Mayer Hans-Peter, Mayer Xaver, Méndez de Vigo, Menrad, Mombaur, Montfort, Morillon, Musotto, Naranjo Escobar, Nassauer, Niebler, Oomen-Ruijten, Pacheco Pereira, Pack, Pastorelli, Pérez Álvarez, Pex, Pirker, Piscarreta, Podestà, Poettering, Pomés Ruiz, Posselt, Pronk, Quisthoudt-Rowohl, Rack, Radwan, Ripoll y Martínez de Bedoya, Rovsing, Rübig, Salafranca Sánchez-Neyra, Santer, Santini, Sartori, Schaffner, Schierhuber, Schleicher, Schmitt, Schnellhardt, Schwaiger, Smet, Sommer, Stenzel, Stockton, Sudre, Tajani, Theato, Thyssen, Trakatellis, Valdivielso de Cué, Varela Suanzes-Carpegna, van Velzen, de Veyrinas, Vidal-Quadras Roca, Vlasto, Wenzel-Perillo, Wijkman, von Wogau, Wuermeling, Zabell, Zacharakis, Zappalà, Zimmerling, Zissener

PSE: Aparicio Sánchez, Baltas, Berenguer Fuster, Berès, van den Berg, Berger, Bösch, Bowe, Bullmann, Campos, Carlotti, Carnero González, Carraro, Casaca, Cercas, Cerdeira Morterero, Colom i Naval, Corbett, Corbey, Darras, De Keyser, De Rossa, Désir, Díez González, Dührkop Dührkop, Duhamel, Duin, El Khadraoui, Ettl, Evans Robert J.E., Fava, Ferreira, Ford, Fruteau, Garot, Gebhardt, Gill, Gillig, Goebbels, Görlach, Gröner, Guy-Quint, Hänsch, Haug, Hazan, Honeyball, Howitt, Hughes, van Hulten, Hume, Iivari, Izquierdo Rojo, Jöns, Karamanou, Karlsson, Katiforis, Keßler, Kindermann, Koukiadis, Krehl, Kreissl-Dörfler, Kuckelkorn, Kuhne, Lage, Lalumière, Lange, Leinen, Linkohr, Lund, McAvan, McNally, Malliori, Mann Erika, Marinho, Martin Hans-Peter, Martínez Martínez, Mastorakis, Medina Ortega, Mendiluce Pereiro, Menéndez del Valle, Miguélez Ramos, Miller, Miranda de Lage, Moraes, Müller, Murphy, Myller, Napolitano, O'Toole, Paasilinna, Paciotti, Patrie, Piecyk, Poignant, Poos, Prets, Rapkay, Read, Rocard, Roth-Behrendt, Rothe, Roure, Sacconi, Sakellariou, dos Santos, Sauquillo Pérez del Arco, Savary, Scheele, Schmid Gerhard, Simpson, Soares, Souladakis, Stockmann, Swiebel, Swoboda, Torres Marques, Vairinhos, Valenciano Martínez-Orozco, Volcic, Walter, Whitehead, Wynn, Zorba, Zrihen

UEN: Segni

Verts/ALE: Aaltonen, Ahern, Auroi, Boumediene-Thiery, Bouwman, Breyer, Celli, Dhaene, Echerer, Evans Jillian, Flautre, Frassoni, Gahrton, Graefe zu Baringdorf, Hudghton, Isler Béguin, Jonckheer, Lagendijk, Lambert, Lannoye, Lipietz, Lucas, MacCormick, McKenna, Maes, Mayol i Raynal, Nogueira Román, Onesta, Piétrasanta, Rod, de Roo, Rühle, Schörling, Schroedter, Sørensen, Voggenhuber, Wuori, Wyn

Against: 71

EDD: Abitbol, Belder, Blokland, Booth, Coûteaux, van Dam, Farage, Kuntz, Titford

ELDR: Pesälä, Pohjamo, Väyrynen

GUE/NGL: Figueiredo, Frahm, Krarup, Schmid Herman, Seppänen, Sjöstedt

NI: Berthu, Claeys, Dillen, Garaud, de Gaulle, Gollnisch, Lang, de La Perriere, Martinez, Souchet, Varaut

PPE-DE: Atkins, Balfé, Beazley, Bowis, Bradbourn, Bushill-Matthews, Callanan, Cederschiöld, Chichester, Corrie, Dover, Elles, Evans Jonathan, Foster, Goodwill, Grönfeldt Bergman, Harbour, Heaton-Harris, Helmer, Inglewood, Khanbhai, Kirkhope, Matikainen-Kallström, Nicholson, Parish, Perry, Purvis, Redondo Jiménez, Sacrédeus, Scallon, Stenmarck, Stevenson, Sturdy, Sumberg, Suominen, Tannock, Twinn, Van Orden, Villiers

UEN: Caullery, Marchiani, Pasqua

Abstention: 33

EDD: Bernié, Butel, Esclopé, Mathieu, Saint-Josse

ELDR: Andreasen, Busk, Jensen, Riis-Jørgensen, Sørensen

Tuesday 13 January 2004

GUE/NGL: Ainardi, Boudjenah, Korakas, Patakis, Wurtz

PSE: Andersson, Dehousse, Färm, Hedkvist Petersen, Sandberg-Fries, Skinner, Theorin, Thorning-Schmidt

UEN: Berlato, Collins, Fitzsimons, Hyland, Mussa, Musumeci, Nobilia, Queiró, Ribeiro e Castro, Turchi

Pex report A5-0388/2003

Amendment 27

For: 309

EDD: Andersen, Belder, Bernié, Blokland, Bonde, Butel, van Dam, Esclopé, Mathieu, Saint-Josse, Sandbæk

ELDR: Andreasen, André-Léonard, Attwooll, Boogerd-Quaak, van den Bos, Busk, Calò, Clegg, De Clercq, Duff, Dybkjær, Flesch, Formentini, Gasòliba i Böhm, Jensen, Ludford, Lynne, Maaten, Manders, Martelli, Monsonís Domingo, Newton Dunn, Nordmann, Olsson, Paulsen, Pesälä, Plooi-j-van Gorsel, Pohjamo, Procacci, Ries, Riis-Jørgensen, Sbarbati, Schmidt, Sterckx, Sørensen, Väyrynen, Vallvé, Van Hecke, Wallis, Watson

GUE/NGL: Ainardi, Bakopoulos, Bergaz Conesa, Bertinotti, Blak, Bordes, Boudjenah, Brie, Caudron, Cauquil, Di Lello Finuoli, Fiebiger, Figueiredo, Frahm, Fraise, Jové Peres, Kaufmann, Korakas, Koulourianos, Krarup, Krivine, Laguiller, Manisco, Markov, Marset Campos, Meijer, Modrow, Morgantini, Nair, Patakis, Puerta, Scarbonchi, Schmid Herman, Schröder Ilka, Seppänen, Sjöstedt, Uca, Vachetta, Vinci, Wurtz

NI: Borghезio, Gobbo, Gorostiaga Atxalandabaso, Kronberger, Speroni

PPE-DE: Bébéar, Bourlanges, Bremmer, Cornillet, Deprez, Descamps, De Veyrac, Ebner, Fatuzzo, Florenz, Fourtou, Gil-Robles Gil-Delgado, Grossetête, Hermange, Lamassoure, Lehne, Martens, Martin Hugues, Mastella, Matikainen-Kallström, Méndez de Vigo, Montfort, Podestà, Pomés Ruiz, Pronk, Sacrédeus, Schaffner, Sudre, Thyssen, Varela Suanzes-Carpegna, de Veyrinas, Vlasto

PSE: Andersson, Aparicio Sánchez, Baltas, Barón Crespo, Berenguer Fuster, Berès, van den Berg, Berger, Bösch, Bowe, Bullmann, Campos, Carlotti, Carnero González, Carraro, Casaca, Cercas, Cerdeira Morterero, Ceyhun, Colom i Naval, Corbett, Corbey, Darras, Dehousse, De Keyser, De Rossa, Désir, Díez González, Dührkop Dührkop, Duhamel, Duin, El Khadraoui, Ettl, Evans Robert J.E., Färm, Fava, Ferreira, Ford, Fruteau, Garot, Gebhardt, Gill, Gillig, Goebbels, Görlach, Gröner, Guy-Quint, Hänsch, Haug, Hazan, Hedkvist Petersen, Honeyball, Howitt, Hughes, van Hulst, Hume, Iivari, Izquierdo Collado, Izquierdo Rojo, Jöns, Karamanou, Karlsson, Katiforis, Keßler, Kindermann, Kinnock, Koukiadis, Krehl, Kreissl-Dörfler, Kuckelkorn, Kuhne, Lage, Lalumière, Lange, Leinen, Linkohr, Lund, McAvan, McNally, Malliori, Mann Erika, Marinho, Martínez Martínez, Mastorakis, Medina Ortega, Mendiluce Pereiro, Menéndez del Valle, Miguélez Ramos, Miller, Miranda de Lage, Moraes, Müller, Murphy, Myller, Napoletano, Obiols i Germà, O'Toole, Paasilinna, Paciotti, Patrie, Pérez Royo, Piecyk, Poignant, Poos, Prets, Rapkay, Read, Rocard, Roth-Behrendt, Rothe, Roure, Sacconi, Sakellariou, Sandberg-Fries, dos Santos, Sauquillo Pérez del Arco, Savary, Scheele, Schmid Gerhard, Schulz, Simpson, Skinner, Soares, Souladakis, Stockmann, Swibel, Swoboda, Terrón i Cusí, Theorin, Thorning-Schmidt, Titley, Torres Marques, Vairinhos, Valenciano Martínez-Orozco, Volcic, Walter, Watts, Whitehead, Wynn, Zimeray, Zorba, Zrihen

Verts/ALE: Aaltonen, Ahern, Auroi, Boumediene-Thiery, Bouwman, Breyer, Buitenweg, Celli, Dhaene, Echerer, Evans Jillian, Flautre, Frassoni, Gahrton, Graefe zu Baringdorf, Hudghton, Isler Béguin, Jonckheer, Lagendijk, Lambert, Lannoye, Lipietz, Lucas, MacCormick, McKenna, Maes, Mayol i Raynal, Nogueira Román, Onesta, Piétrasanta, Rod, de Roo, Rühle, Schörling, Schroedter, Sörensen, Voggenhuber, Wuori, Wyn

Against: 202

EDD: Abitbol, Booth, Coûteaux, Farage, Kuntz, Titford

ELDR: Malmström, Mulder

NI: Berthu, Beysen, Bonino, Cappato, Claeys, Della Vedova, Dillen, Dupuis, Garaud, de Gaulle, Hager, Lang, de La Perrière, Martinez, Pannella, Souchet, Turco, Varaut

PPE-DE: Almeida Garrett, Arvidsson, Atkins, Averoff, Avilés Perea, Ayuso González, Balfe, Banotti, Bartolozzi, Bastos, Bayona de Perogordo, Beazley, Berend, Bodrato, Böge, Bowis, Bradbourn, Brok,

Tuesday 13 January 2004

Bushill-Matthews, Callanan, Camisón Asensio, Cardoso, Cederschiöld, Chichester, Cocilovo, Coelho, Corrie, Costa Raffaele, Cushnahan, Daul, De Sarnez, Dimitrakopoulos, Dover, Doyle, Elles, Evans Jonathan, Ferber, Fernández Martín, Ferrer, Fiori, Flemming, Foliás, Foster, Friedrich, Gähler, Galeote Quecedo, García-Margallo y Marfil, García-Orcoyen Tormo, Gargani, Garriga Polledo, Gawronski, Gemelli, Glase, Goepel, Gomolka, Goodwill, Gouveia, Grönfeldt Bergman, Gutiérrez-Cortines, Hansenne, Harbour, Hatzidakis, Heaton-Harris, Helmer, Hernández Mollar, Herranz García, Hieronymi, Hortefeux, Inglewood, Jarzembowski, Jeggle, Karas, Kastler, Keppelhoff-Wiechert, Khanbhai, Kirkhope, Klamt, Knolle, Koch, Konrad, Kratsa-Tsagaropoulou, Langen, Langenhagen, Laschet, Lechner, Liese, Lisi, Lulling, Maat, McCartin, Mann Thomas, Marinos, Marques, Mayer Hans-Peter, Mayer Xaver, Menrad, Mombaur, Morillon, Musotto, Naranjo Escobar, Nassauer, Nicholson, Niebler, Nisticò, Oomen-Ruijten, Pacheco Pereira, Pack, Parish, Pastorelli, Pérez Álvarez, Perry, Pex, Pirker, Piscarreta, Poettering, Posselt, Purvis, Quisthoudt-Rowohl, Rack, Radwan, Redondo Jiménez, Ripoll y Martínez de Bedoya, Rovsing, Rübig, Salafranca Sánchez-Neyra, Santer, Santini, Sartori, Schierhuber, Schleicher, Schmitt, Schnellhardt, Schwaiger, Smet, Sommer, Stenmarck, Stenzel, Stevenson, Stockton, Sturdy, Sumberg, Suominen, Tajani, Tannock, Theato, Trakatellis, Twinn, Valdivielso de Cué, Van Orden, van Velzen, Vidal-Quadras Roca, Villiers, Wenzel-Perillo, Wijkman, von Wogau, Wuermeling, Zabell, Zacharakis, Zappalà, Zimmerling, Zissener

UEN: Berlato, Caullery, Collins, Fitzsimons, Hyland, Marchiani, Mussa, Musumeci, Nobilia, Pasqua, Poli Bortone, Queiró, Ribeiro e Castro, Segni, Turchi

Abstention: 2

NI: Gollnisch

PPE-DE: Scallon

Pex report A5-0388/2003

Amendment 28

For: 247

EDD: Andersen, Belder, Bernié, Blokland, Bonde, Butel, van Dam, Esclopé, Mathieu, Saint-Josse, Sandbæk

ELDR: Boogerd-Quaak

GUE/NGL: Ainardi, Bakopoulos, Bergaz Conesa, Bertinotti, Blak, Bordes, Boudjenah, Brie, Caudron, Cauquil, Di Lello Finuoli, Fiebiger, Figueiredo, Frahm, Fraise, Jové Peres, Kaufmann, Korakas, Koulourianos, Krarup, Krivine, Laguiller, Manisco, Markov, Marset Campos, Meijer, Modrow, Morgantini, Nair, Patakis, Puerta, Scarbonchi, Schmid Herman, Schröder Ilka, Seppänen, Sjöstedt, Uca, Vachetta, Vinci, Wurtz

NI: Claeys, Dillen, de Gaulle, Gollnisch, Gorostiaga Atxalandabaso, Kronberger, Lang, Martinez

PPE-DE: Arvidsson, Bremmer, Gargani, Montfort, Sacrédeus, Sumberg

PSE: Andersson, Aparicio Sánchez, Baltas, Barón Crespo, Berenguer Fuster, Berès, van den Berg, Berger, Bösch, Bowe, Bullmann, Campos, Carlotti, Carnero González, Carraro, Casaca, Cercas, Cerdeira Morterero, Ceyhun, Colom i Naval, Corbett, Corbey, Darras, De Keyser, De Rossa, Désir, Díez González, Dührkop Dührkop, Duhamel, Duin, El Khadraoui, Ettl, Evans Robert J.E., Färm, Fava, Ferreira, Ford, Fruteau, Garot, Gebhardt, Gill, Gillig, Goebbels, Görlach, Gröner, Guy-Quint, Hänsch, Haug, Hazan, Hedkvist Petersen, Honeyball, Howitt, Hughes, van Hulsten, Hume, Iivari, Izquierdo Collado, Izquierdo Rojo, Jöns, Karamanou, Karlsson, Katiforis, Keßler, Kindermann, Kinnock, Koukiadis, Krehl, Kreissl-Dörfler, Kuckelkorn, Kuhne, Lage, Lalumière, Lange, Leinen, Linkohr, Lund, McAvan, McNally, Malliori, Mann Erika, Marinho, Martin Hans-Peter, Martínez Martínez, Mastorakis, Medina Ortega, Mendiluce Pereiro, Menéndez del Valle, Miguélez Ramos, Miller, Miranda de Lage, Moraes, Müller, Murphy, Myller, Napoletano, Obiols i Germà, O'Toole, Paasilinna, Paciotti, Patrie, Pérez Royo, Piecyk, Poignant, Poos, Prets, Rapkay, Read, Rocard, Roth-Behrendt, Rothe, Roure, Sacconi, Sakellariou, Sandberg-Fries, dos Santos, Sauquillo Pérez del Arco, Savary, Scheele, Schmid Gerhard, Schulz, Simpson, Skinner, Soares, Souladakis, Stockmann, Swibel, Swoboda, Terrón i Cusí, Theorin, Thorning-Schmidt, Titley, Torres Marques, Vairinhos, Valenciano Martínez-Orozco, Volcic, Walter, Watts, Whitehead, Wynn, Zimeray, Zorba, Zrihen

Tuesday 13 January 2004

Verts/ALE: Aaltonen, Ahern, Auroi, Boumediene-Thiery, Bouwman, Breyer, Buitenweg, Celli, Dhaene, Echerer, Evans Jillian, Flautre, Frassoni, Gahrton, Graefe zu Baringdorf, Hudghton, Isler Béguin, Jonckheer, Lagendijk, Lambert, Lannoye, Lipietz, Lucas, MacCormick, McKenna, Maes, Mayol i Raynal, Nogueira Román, Onesta, Piétrasanta, Rod, de Roo, Rühle, Schörling, Schroedter, Sørensen, Voggenhuber, Wuori, Wyn

Against: 263

EDD: Abitbol, Booth, Coûteaux, Farage, Kuntz, Titford

ELDR: Andreasen, André-Léonard, Attwooll, van den Bos, Busk, Calò, Clegg, De Clercq, Duff, Fleisch, Formentini, Gasòliba i Böhm, Jensen, Ludford, Lynne, Maaten, Malmström, Manders, Martelli, Monsonís Domingo, Mulder, Newton Dunn, Nordmann, Olsson, Paulsen, Pesälä, Plooij-van Gorsel, Pohjamo, Procacci, Ries, Riis-Jørgensen, Sbarbati, Schmidt, Sterckx, Sørensen, Väyrynen, Vallvé, Van Hecke, Wallis, Watson

NI: Berthu, Beysen, Bonino, Borghezio, Cappato, Della Vedova, Dupuis, Gobbo, Hager, de La Perriere, Pannella, Souchet, Speroni, Turco, Varaut

PPE-DE: Almeida Garrett, Atkins, Averoff, Avilés Perea, Ayuso González, Balfé, Banotti, Bartolozzi, Bastos, Bayona de Perogordo, Beazley, Bébéar, Berend, Bodrato, Böge, Bourlanges, Bowis, Bradbourn, Brok, Bushill-Matthews, Callanan, Camisón Asensio, Cardoso, Cederschiöld, Chichester, Cocilovo, Coelho, Cornillet, Corrie, Costa Raffaele, Cushnahan, Daul, Deprez, De Sarnez, Descamps, De Veyrac, Dimitrakopoulos, Dover, Doyle, Ebner, Elles, Evans Jonathan, Fatuzzo, Ferber, Fernández Martín, Ferrer, Fiori, Flemming, Florenz, Falias, Foster, Fourtou, Friedrich, Gahler, Galeote Quecedo, García-Margallo y Marfil, García-Orcoyen Tormo, Garriga Polledo, Gawronski, Gemelli, Gil-Robles Gil-Delgado, Glase, Goepel, Gomolka, Goodwill, Gouveia, Grönfeldt Bergman, Grossetête, Gutiérrez-Cortines, Hansenne, Harbour, Hatzidakis, Heaton-Harris, Helmer, Hermange, Hernández Mollar, Herranz García, Hieronymi, Hortefeux, Inglewood, Jarzembowski, Jeggle, Karas, Kastler, Keppelhoff-Wiechert, Khanbhai, Kirkhope, Klamt, Knolle, Koch, Konrad, Kratsa-Tsagaropoulou, Lamassoure, Langen, Langenhagen, Laschet, Lechner, Lehne, Liese, Lisi, Lulling, Maat, McCartin, Mann Thomas, Marinos, Marques, Martin Hugues, Mastella, Matikainen-Kallström, Mayer Hans-Peter, Mayer Xaver, Méndez de Vigo, Menrad, Mombaur, Morillon, Musotto, Naranjo Escobar, Nassauer, Nicholson, Niebler, Nisticò, Oomen-Ruijten, Pacheco Pereira, Pack, Parish, Pastorelli, Pérez Álvarez, Perry, Pex, Pirker, Piscarreta, Podestà, Poettering, Pomés Ruiz, Posselt, Pronk, Purvis, Quisthoudt-Rowohl, Rack, Radwan, Redondo Jiménez, Ripoll y Martínez de Bedoya, Rovsing, Rübzig, Salafranca Sánchez-Neyra, Santer, Santini, Sartori, Schaffner, Schierhuber, Schleicher, Schmitt, Schnellhardt, Schwaiger, Smet, Sommer, Stenmarck, Stenzel, Stevenson, Stockton, Sturdy, Sudre, Suominen, Tajani, Tannock, Theato, Thyssen, Trakatellis, Twinn, Valdivielso de Cué, Van Orden, van Velzen, de Veyrinas, Vidal-Quadras Roca, Villiers, Vlasto, Wenzel-Perillo, Wijkman, von Wogau, Wuermeling, Zabell, Zacharakis, Zappalà, Zimmerling, Zissener

PSE: Dehousse

UEN: Andrews, Berlato, Caullery, Collins, Fitzsimons, Hyland, Marchiani, Mussa, Musumeci, Nobilia, Pasqua, Poli Bortone, Queiró, Ribeiro e Castro, Segni, Turchi

Abstention: 3

ELDR: Dybkjær

PPE-DE: Scallon, Varela Suanzes-Carpegna

Poignant report A5-0413/2003

Amendment 1

For: 137

EDD: Kuntz

ELDR: Andreasen, André-Léonard, Attwooll, Boogerd-Quaak, van den Bos, Busk, Calò, Clegg, De Clercq, Duff, Dybkjær, Fleisch, Formentini, Gasòliba i Böhm, Jensen, Lynne, Maaten, Malmström, Manders, Martelli, Monsonís Domingo, Mulder, Newton Dunn, Nordmann, Olsson, Paulsen, Pesälä, Plooij-van Gorsel, Pohjamo, Procacci, Ries, Riis-Jørgensen, Sbarbati, Schmidt, Sterckx, Sørensen, Väyrynen, Vallvé, Van Hecke, Wallis, Watson

Tuesday 13 January 2004

GUE/NGL: Ainardi, Bakopoulos, Bergaz Conesa, Bertinotti, Boudjenah, Brie, Caudron, Di Lello Finuoli, Fiebiger, Fraisse, Jové Peres, Kaufmann, Koulourianos, Krivine, Manisco, Markov, Marset Campos, Meijer, Modrow, Morgantini, Nair, Puerta, Scarbonchi, Schröder Ilka, Uca, Vachetta, Vinci, Wurtz

NI: Berthu, Borghezio, Gobbo, Gorostiaga Atxalandabaso, Hager, Kronberger, de La Perriere, Souchet, Speroni

PPE-DE: Cocilovo, Varela Suanzes-Carpegna

PSE: Dehousse, Marinho, Müller, Napoletano, Sousa Pinto

UEN: Andrews, Berlato, Caullery, Collins, Fitzsimons, Hyland, Marchiani, Mussa, Musumeci, Nobilia, Pasqua, Poli Bortone, Queiró, Ribeiro e Castro, Segni, Turchi

Verts/ALE: Aaltonen, Ahern, Auroi, Boumediene-Thiery, Bouwman, Breyer, Buitenweg, Celli, Dhaene, Echerer, Flautre, Frassoni, Graefe zu Baringdorf, Isler Béguin, Jonckheer, Lagendijk, Lambert, Lannoye, Lipietz, Lucas, McKenna, Maes, Mayol i Raynal, Nogueira Román, Onesta, Piétrasanta, Rod, de Roo, Rühle, Schörling, Schroedter, Sörensen, Voggenhuber, Wuori, Wyn

Against: 369

EDD: Abitbol, Andersen, Belder, Bernié, Blokland, Bonde, Booth, Butel, Esclopé, Farage, Mathieu, Saint-Josse, Sandbæk, Titford

GUE/NGL: Blak, Figueiredo, Frahm, Krarup, Schmid Herman, Seppänen, Sjöstedt

NI: Beysen, Bonino, Cappato, Claeys, Della Vedova, Dillen, Dupuis, Garaud, de Gaulle, Gollnisch, Lang, Martinez, Pannella, Turco

PPE-DE: Almeida Garrett, Arvidsson, Atkins, Averoff, Avilés Perea, Ayuso González, Balfe, Banotti, Bartolozzi, Bastos, Bayona de Perogordo, Beazley, Bébéar, Berend, Bodrato, Böge, Bourlanges, Bowis, Bradbourn, Bremmer, Brok, Bushill-Matthews, Callanan, Camisón Asensio, Cardoso, Cederschiöld, Chichester, Coelho, Cornillet, Corrie, Costa Raffaele, Cushnahan, Daul, Deprez, De Sarnez, Descamps, De Veyrac, Dimitrakopoulos, Dover, Doyle, Ebner, Elles, Evans Jonathan, Fatuzzo, Ferber, Fernández Martín, Ferrer, Fiori, Flemming, Florenz, Folias, Foster, Fournou, Friedrich, Gahler, Galeote Quecedo, García-Margallo y Marfil, García-Orcoven Tormo, Gargani, Garriga Polledo, Gawronski, Gemelli, Gil-Robles Gil-Delgado, Glase, Goepel, Gomolka, Goodwill, Gouveia, Grönfeldt Bergman, Grossetête, Gutiérrez-Cortines, Hansenne, Harbour, Hatzidakis, Heaton-Harris, Helmer, Hermange, Hernández Mollar, Herranz García, Hieronymi, Hortefeux, Inglewood, Jarzembowski, Jeggler, Karas, Kastler, Keppelhoff-Wiechert, Khanbhai, Kirkhope, Klamt, Knolle, Koch, Konrad, Kratsa-Tsagaropoulou, Lamassoure, Langen, Langenhagen, Laschet, Lechner, Lehne, Liese, Lisi, Lulling, Maat, McCartin, Mann Thomas, Marinos, Marques, Martens, Martin Hugues, Mastella, Matikainen-Kallström, Mayer Hans-Peter, Mayer Xaver, Méndez de Vigo, Menrad, Mombaur, Montfort, Morillon, Musotto, Naranjo Escobar, Nassauer, Nicholson, Niebler, Oomen-Ruijten, Pacheco Pereira, Pack, Parish, Pastorelli, Pérez Álvarez, Perry, Pex, Pirker, Piscarreta, Podestà, Poettering, Pomés Ruiz, Posselt, Pronk, Purvis, Quisthoudt-Rowohl, Rack, Radwan, Redondo Jiménez, Ripoll y Martínez de Bedoya, Rovsing, Rübig, Sacrédeus, Salafranca Sánchez-Neyra, Santer, Santini, Sartori, Scallon, Schaffner, Schierhuber, Schleicher, Schmitt, Schnellhardt, Schwaiger, Smet, Sommer, Stenmarck, Stenzel, Stevenson, Stockton, Sturdy, Sudre, Sumberg, Suominen, Tajani, Tannock, Theato, Thyssen, Trakatellis, Twinn, Valdivielso de Cué, Van Orden, van Velzen, de Veyrinas, Vidal-Quadras Roca, Villiers, Vlasto, Wenzel-Perillo, Wijkman, von Wogau, Wuermeling, Zabell, Zacharakis, Zappalà, Zimmerling, Zissener

PSE: Andersson, Aparicio Sánchez, Baltas, Barón Crespo, Berenguer Fuster, Berès, van den Berg, Berger, Bösch, Bowe, Campos, Carlotti, Carnero González, Carraro, Casaca, Cercas, Cerdeira Morterero, Ceyhun, Colom i Naval, Corbett, Corbey, Darras, De Keyser, De Rossa, Désir, Díez González, Dührkop Dührkop, Duhamel, Duin, El Khadraoui, Ettl, Evans Robert J.E., Färm, Fava, Ferreira, Ford, Fruteau, Garot, Gebhardt, Gill, Gillig, Goebbels, Görlach, Gröner, Guy-Quint, Hänsch, Haug, Hazan, Hedkvist Petersen, Honeyball, Howitt, Hughes, van Hulten, Hume, Iivari, Izquierdo Collado, Izquierdo Rojo, Jöns, Junker, Karamanou, Karlsson, Katiforis, Keßler, Kindermann, Koukiadis, Krehl, Kreissl-Dörfler, Kuckelkorn, Kuhne, Lage, Lalumière, Lange, Leinen, Linkohr, Lund, McAvan, McNally, Malliori, Mann Erika, Martin Hans-Peter, Martínez Martínez, Mastorakis, Medina Ortega, Mendiluce Pereiro, Menéndez del Valle, Miguélez Ramos, Miller, Miranda de Lage, Moraes, Morgan, Murphy, Myller, Obiols i Germà, O'Toole, Paasilinna, Paciotti, Patrie, Pérez Royo, Piecyk, Poignant, Poos, Prets, Rapkay, Read, Rocard, Roth-Behrendt, Rothe, Roure, Sacconi, Sakellariou, Sandberg-Fries, dos Santos, Sauquillo Pérez del Arco, Savary, Scheele, Schmid

Tuesday 13 January 2004

Gerhard, Schulz, Simpson, Skinner, Soares, Souladakis, Stockmann, Swiebel, Swoboda, Terrón i Cusí, Theorin, Thorning-Schmidt, Titley, Torres Marques, Vairinhos, Valenciano Martínez-Orozco, Volcic, Walter, Watts, Whitehead, Wynn, Zimeray, Zorba, Zrihen

Verts/ALE: Evans Jillian, Gahrton, Hudghton, MacCormick

Abstention: 6

EDD: Coûteaux

GUE/NGL: Bordes, Cauquil, Korakas, Laguiller, Patakis

Poignant report A5-0413/2003

Amendment 2

For: 44

EDD: Coûteaux

ELDR: Boogerd-Quaak, van den Bos

GUE/NGL: Bertinotti, Fraisse

NI: Gobbo, Hager, Speroni

PPE-DE: Cocilovo, Varela Suanzes-Carpegna

PSE: Dehousse

Verts/ALE: Ahern, Auroi, Boumediene-Thiery, Bouwman, Breyer, Buitenweg, Celli, Dhaene, Flautre, Frassoni, Graefe zu Baringdorf, Isler Béguin, Jonckheer, Lagendijk, Lambert, Lannoye, Lipietz, Lucas, McKenna, Maes, Mayol i Raynal, Nogueira Román, Onesta, Piétrasanta, Rod, de Roo, Rühle, Schörling, Schroedter, Sörensen, Voggenhuber, Wuori, Wyn

Against: 458

EDD: Abitbol, Andersen, Belder, Bernié, Blokland, Booth, Butel, van Dam, Esclopé, Farage, Kuntz, Mathieu, Saint-Josse, Sandbæk, Titford

ELDR: Andreasen, André-Léonard, Attwooll, Busk, Calò, Clegg, De Clercq, Duff, Flesch, Formentini, Gasòliba i Böhm, Jensen, Ludford, Lynne, Maaten, Malmström, Manders, Martelli, Monsonís Domingo, Mulder, Newton Dunn, Nordmann, Olsson, Paulsen, Pesälä, Plooij-van Gorsel, Pohjamo, Procacci, Ries, Riis-Jørgensen, Sbarbati, Schmidt, Sterckx, Sørensen, Väyrynen, Vallvé, Van Hecke, Wallis, Watson

GUE/NGL: Ainaridi, Bakopoulos, Bergaz Conesa, Blak, Boudjenah, Brie, Caudron, Di Lello Finuoli, Fiebiger, Figueiredo, Frahm, Kaufmann, Korakas, Koulourianos, Krarup, Krivine, Manisco, Markov, Maset Campos, Meijer, Modrow, Morgantini, Nair, Patakis, Puerta, Scarbonchi, Schmid Herman, Schröder Ilka, Seppänen, Sjøstedt, Uca, Vachetta, Vinci, Wurtz

NI: Berthu, Beysen, Bonino, Cappato, Claeys, Della Vedova, Dillen, Dupuis, Garaud, de Gaulle, Gollnisch, Gorostiaga Atxalandabaso, Lang, de La Perriere, Martinez, Pannella, Souchet, Turco, Varaut

PPE-DE: Almeida Garrett, Arvidsson, Atkins, Averoff, Avilés Perea, Ayuso González, Balfe, Banotti, Bartolozzi, Bastos, Bayona de Perogordo, Beazley, Bébéar, Berend, Bodrato, Böge, Bourlanges, Bowis, Bradbourn, Bremmer, Brok, Bushill-Matthews, Callanan, Camisón Asensio, Cardoso, Cederschiöld, Chichester, Coelho, Cornillet, Corrie, Costa Raffaele, Cushnahan, Daul, Deprez, De Sarnez, Descamps, De Veyrac, Dimitrakopoulos, Dover, Doyle, Ebner, Elles, Evans Jonathan, Fatuzzo, Ferber, Fernández Martín, Ferrer, Fiori, Flemming, Folias, Foster, Fourtou, Friedrich, Gahler, Galeote Quecedo, García-Margallo y Marfil, García-Orcoyen Tormo, Gargani, Garriga Polledo, Gawronski, Gemelli, Gil-Robles Gil-Delgado, Glase, Goepel, Gomolka, Goodwill, Gouveia, Grönfeldt Bergman, Grossetête, Gutiérrez-Cortines, Hansenne, Harbour, Hatzidakis, Heaton-Harris, Helmer, Hermange, Hernández Mollar, Herranz García, Hieronymi, Hortefeux, Inglewood, Jarzembowski, Jeggle, Karas, Kastler, Keppelhoff-Wiechert, Khanbhai, Kirkhope, Klamt, Knolle, Koch, Konrad, Kratsa-Tsagaropoulou, Lamassoure, Langen, Langenhagen, Laschet, Lechner, Lehne, Liese, Lisi, Lulling, Maat, Mann Thomas, Marinos, Marques, Martens, Martin

Tuesday 13 January 2004

Hugues, Mastella, Matikainen-Kallström, Mayer Hans-Peter, Mayer Xaver, Méndez de Vigo, Menrad, Mombaur, Montfort, Morillon, Musotto, Naranjo Escobar, Nassauer, Nicholson, Niebler, Oomen-Ruijten, Pacheco Pereira, Pack, Parish, Pastorelli, Pérez Álvarez, Perry, Pex, Pirker, Piscarreta, Podestà, Poettering, Pomés Ruiz, Posselt, Pronk, Purvis, Quisthoudt-Rowohl, Rack, Radwan, Redondo Jiménez, Ripoll y Martínez de Bedoya, Rovsing, Rübig, Sacrédeus, Salafranca Sánchez-Neyra, Santer, Santini, Sartori, Scallon, Schaffner, Schierhuber, Schleicher, Schmitt, Schnellhardt, Schwaiger, Smet, Sommer, Stenmarck, Stenzel, Stevenson, Stockton, Sturdy, Sudre, Sumberg, Suominen, Tajani, Tannock, Theato, Thyssen, Trakatellis, Twinn, Valdivielso de Cué, Van Orden, van Velzen, de Veyrinas, Vidal-Quadras Roca, Villiers, Vlasto, Wenzel-Perillo, Wijkman, von Wogau, Wuermeling, Zabell, Zacharakis, Zappalà, Zimmerling, Zissener

PSE: Andersson, Aparicio Sánchez, Baltas, Barón Crespo, Berenguer Fuster, Berès, van den Berg, Berger, Bösch, Bowe, Campos, Carlotti, Carnero González, Carraro, Casaca, Cercas, Cerdeira Morterero, Ceyhun, Colom i Naval, Corbett, Corbey, Darras, De Keyser, De Rossa, Désir, Díez González, Dührkop Dührkop, Duhamel, Duin, El Khadraoui, Ettl, Evans Robert J.E., Färm, Fava, Ferreira, Ford, Fruteau, Garot, Gebhardt, Gill, Gillig, Goebbels, Görlach, Gröner, Guy-Quint, Hänsch, Haug, Hazan, Hedkvist Petersen, Honeyball, Howitt, Hughes, van Hulten, Hume, Iivari, Izquierdo Collado, Izquierdo Rojo, Jöns, Junker, Karamanou, Karlsson, Katiforis, Keßler, Kindermann, Kinnock, Koukiadis, Krehl, Kreissl-Dörfler, Kuckelkorn, Kuhne, Lage, Lalumière, Lange, Leinen, Linkohr, Lund, McAvan, McNally, Malliori, Mann Erika, Marinho, Martin Hans-Peter, Martínez Martínez, Mastorakis, Medina Ortega, Mendiluce Pereiro, Menéndez del Valle, Miguélez Ramos, Miller, Miranda de Lage, Moraes, Müller, Murphy, Myller, Napoletano, Obiols i Germà, O'Toole, Paasilinna, Paciotti, Patrie, Pérez Royo, Piecyk, Poignant, Poos, Prets, Rapkay, Read, Rocard, Roth-Behrendt, Rothe, Roure, Sacconi, Sakellariou, Sandberg-Fries, dos Santos, Sauquillo Pérez del Arco, Savary, Scheele, Schmid Gerhard, Schulz, Simpson, Skinner, Soares, Souladakis, Sousa Pinto, Stockmann, Swibel, Swoboda, Terrón i Cusí, Theorin, Thorning-Schmidt, Torres Marques, Vairinhos, Valenciano Martínez-Orozco, Volcic, Walter, Watts, Whitehead, Wynn, Zimeray, Zorba, Zrihen

UEN: Andrews, Berlato, Caullery, Collins, Fitzsimons, Hyland, Marchiani, Mussa, Musumeci, Nobilia, Pasqua, Poli Bortone, Queiró, Ribeiro e Castro, Segni, Turchi

Verts/ALE: Evans Jillian, Gahrton, Hudghton, MacCormick

Abstention: 5

ELDR: Dybkjær

GUE/NGL: Bordes, Cauquil, Laguiller

NI: Kronberger

Vidal-Quadras Roca report A5-0442/2003

Amendment 16

For: 308

EDD: Andersen, Bernié, Bonde, Butel, Esclopé, Mathieu, Saint-Josse, Sandbæk

ELDR: Andreasen, André-Léonard, Attwooll, Boogerd-Quaak, van den Bos, Busk, Calò, Clegg, De Clercq, Duff, Dybkjær, Fleisch, Formentini, Gasöliba i Böhm, Huhne, Jensen, Ludford, Lynne, Maaten, Malmström, Manders, Martelli, Monsonís Domingo, Mulder, Newton Dunn, Nordmann, Olsson, Paulsen, Pesälä, Plooijs-van Gorsel, Pohjamo, Procacci, Ries, Riis-Jørgensen, Sbarbati, Schmidt, Sterckx, Sørensen, Väyrynen, Vallvé, Van Hecke, Wallis, Watson

GUE/NGL: Ainardi, Bakopoulos, Bergaz Conesa, Bertinotti, Blak, Bordes, Boudjenah, Brie, Caudron, Cauquil, Di Lello Finuoli, Fiebiger, Figueiredo, Fraisse, Jové Peres, Kaufmann, Koulourianos, Krivine, Laguiller, Manisco, Markov, Marset Campos, Meijer, Modrow, Morgantini, Nair, Puerta, Scarbonchi, Schröder Ilka, Uca, Vachetta, Vinci, Wurtz

NI: Bonino, Borghezio, Cappato, Claeys, Della Vedova, Dillen, Dupuis, Garaud, de Gaulle, Gobbo, Gollnisch, Gorostiaga Atxalandabaso, Hager, Kronberger, Lang, Martinez, Pannella, Speroni, Turco

PPE-DE: Banotti, Costa Raffaele, Cushnahan, Doyle, Ebner, Flemming, Hermange, Karas, Maat, Méndez de Vigo, Pirker, Rack, Rübig, Schierhuber, Stenzel, Wijkman

Tuesday 13 January 2004

PSE: Andersson, Aparicio Sánchez, Baltas, Barón Crespo, Berenguer Fuster, Berès, van den Berg, Berger, Bösch, Bowe, Bullmann, Campos, Carlotti, Carnero González, Carraro, Casaca, Cercas, Cerdeira Morterero, Ceyhun, Colom i Naval, Corbett, Corbey, Darras, Dehousse, De Keyser, De Rossa, Désir, Díez González, Dührkop Dührkop, Duhamel, Duin, El Khadraoui, Ettl, Evans Robert J.E., Färm, Fava, Ferreira, Ford, Fruteau, Garot, Gebhardt, Gill, Gillig, Goebbels, Görlach, Gröner, Guy-Quint, Hänsch, Haug, Hazan, Hedkvist Petersen, Honeyball, Howitt, Hughes, van Hulsten, Hume, Iivari, Izquierdo Collado, Izquierdo Rojo, Jöns, Junker, Karamanou, Karlsson, Katiforis, Keßler, Kindermann, Kinnock, Koukiadis, Krehl, Kreissl-Dörfler, Kuckelkorn, Kuhne, Lage, Lalumière, Lange, Leinen, Lund, McAvan, McNally, Malliori, Mann Erika, Marinho, Martin Hans-Peter, Martínez Martínez, Mastorakis, Medina Ortega, Mendiluce Pereiro, Menéndez del Valle, Miguélez Ramos, Miller, Miranda de Lage, Moraes, Morgan, Müller, Murphy, Myller, Napolitano, Obiols i Germà, O'Toole, Paasilinna, Paciotti, Patrie, Pérez Royo, Piecyk, Poignant, Poos, Prets, Rapkay, Read, Rocard, Roth-Behrendt, Rothe, Roure, Sacconi, Sakellariou, Sandberg-Fries, dos Santos, Sauquillo Pérez del Arco, Savary, Scheele, Schmid Gerhard, Schulz, Simpson, Skinner, Soares, Sornosa Martínez, Souladakis, Sousa Pinto, Stockmann, Swoboda, Terrón i Cusí, Theorin, Thorning-Schmidt, Titley, Torres Marques, Vairinhos, Valenciano Martínez-Orozco, Volcic, Walter, Watts, Whitehead, Wynn, Zimeray, Zorba, Zrihen

UEN: Andrews, Berlato, Collins, Fitzsimons, Hyland, Queiró

Verts/ALE: Aaltonen, Ahern, Auroi, Boumediene-Thiery, Bouwman, Breyer, Buitenweg, Celli, Dhaene, Echerer, Evans Jillian, Flautre, Frassoni, Gahrton, Graefe zu Baringdorf, Hudghton, Isler Béguin, Jonckheer, Lagendijk, Lambert, Lannoye, Lucas, MacCormick, McKenna, Maes, Mayol i Raynal, Nogueira Román, Onesta, Piétrasanta, Rod, de Roo, Rühle, Schörling, Schroedter, Sörensen, Voggenhuber, Wuori, Wyn

Against: 201

EDD: Abitbol, Belder, Blokland, Coûteaux, van Dam, Kuntz

GUE/NGL: Frahm, Krarup, Schmid Herman, Seppänen, Sjöstedt

NI: Berthu, Beysen, de La Perriere, Souchet, Varaut

PPE-DE: Almeida Garrett, Arvidsson, Atkins, Averoff, Avilés Perea, Ayuso González, Balfé, Bartolozzi, Bastos, Bayona de Perogordo, Beazley, Bébéar, Berend, Bodrato, Böge, Bourlanges, Bowis, Bradbourn, Bremmer, Brok, Bushill-Matthews, Camisón Asensio, Cardoso, Cederschiöld, Chichester, Coelho, Cornillet, Corrie, Daul, Deprez, De Sarnez, Descamps, De Veyrac, Dimitrakopoulos, Dover, Elles, Evans Jonathan, Fatuzzo, Ferber, Fernández Martín, Ferrer, Fiori, Florenz, Folias, Foster, Fourtou, Friedrich, Gahler, Galeote Quecedo, García-Margallo y Marfil, García-Orcoyen Tormo, Gargani, Garriga Polledo, Gawronski, Gemelli, Gil-Robles Gil-Delgado, Glase, Goepel, Gomolka, Goodwill, Gouveia, Grönfeldt Bergman, Grossetête, Gutiérrez-Cortines, Hansenne, Harbour, Hatzidakis, Heaton-Harris, Helmer, Hernández Mollar, Herranz García, Hieronymi, Hortefeux, Inglewood, Jeggel, Kastler, Keppelhoff-Wiechert, Khanbhai, Kirkhope, Klamt, Knolle, Koch, Konrad, Kratsa-Tsagaropoulou, Lamassoure, Langen, Langenhagen, Laschet, Lechner, Lehne, Liese, Lisi, Lulling, McCartin, Mann Thomas, Marinos, Marques, Martens, Martin Hugues, Mastella, Matikainen-Kallström, Mayer Hans-Peter, Mayer Xaver, Menrad, Mombaur, Montfort, Morillon, Musotto, Naranjo Escobar, Nassauer, Nicholson, Niebler, Nisticò, Oomen-Ruijten, Pacheco Pereira, Pack, Parish, Pastorelli, Pérez Álvarez, Perry, Pex, Piscarreta, Podestà, Poettering, Pomés Ruiz, Posselt, Pronk, Purvis, Quisthoudt-Rowohl, Radwan, Redondo Jiménez, Ripoll y Martínez de Bedoya, Rovsing, Sacrédeus, Salafranca Sánchez-Neyra, Santer, Santini, Sartori, Schaffner, Schleicher, Schmitt, Schnellhardt, Schwaiger, Smet, Sommer, Stenmarck, Stevenson, Stockton, Sturdy, Sudre, Sumberg, Suominen, Tajani, Tannock, Theato, Thyssen, Trakatellis, Twinn, Valdivielso de Cué, Van Orden, Varela Suanzes-Carpegna, van Velzen, de Veyrinas, Vidal-Quadras Roca, Villiers, Vlasto, Wenzel-Perillo, von Wogau, Wuermeling, Zabell, Zacharakis, Zappalà, Zimmerling, Zissener

PSE: Wiersma

UEN: Caullery, Marchiani, Mussa, Musumeci, Nobilia, Pasqua, Poli Bortone, Ribeiro e Castro, Segni, Turchi

Abstention: 6

EDD: Booth, Farage, Titford

GUE/NGL: Korakas, Patakis

PPE-DE: Cocilovo

Tuesday 13 January 2004

Vidal-Quadras Roca report A5-0442/2003**Amendment 19****For: 310****EDD:** Andersen, Bernié, Bonde, Butel, Esclopé, Mathieu, Saint-Josse, Sandbæk**ELDR:** Andreassen, André-Léonard, Attwooll, Boogerd-Quaak, van den Bos, Busk, Calò, Clegg, De Clercq, Duff, Dybkjær, Flesch, Formentini, Gasòliba i Böhm, Huhne, Jensen, Ludford, Lynne, Maaten, Malmström, Manders, Martelli, Monsonís Domingo, Mulder, Newton Dunn, Nordmann, Olsson, Paulsen, Pesälä, Plooijs-van Gorsel, Pohjamo, Procacci, Ries, Riis-Jørgensen, Sbarbati, Schmidt, Sterckx, Sørensen, Väyrynen, Vallvé, Van Hecke, Wallis, Watson**GUE/NGL:** Ainardi, Bakopoulos, Bergaz Conesa, Bertinotti, Blak, Bordes, Boudjenah, Brie, Caudron, Cauquil, Di Lello Finuoli, Fiebiger, Figueiredo, Frahm, Fraisse, Jové Peres, Kaufmann, Korakas, Koulourianos, Krivine, Laguiller, Manisco, Markov, Marset Campos, Meijer, Modrow, Morgantini, Nair, Patakis, Puerta, Scarbonchi, Schmid Herman, Schröder Ilka, Seppänen, Sjöstedt, Uca, Vachetta, Vinci, Wurtz**NI:** Bonino, Borghezio, Cappato, Della Vedova, Dupuis, Gobbo, Gorostiaga Atxalandabaso, Hager, Kronberger, Pannella, Speroni, Turco**PPE-DE:** Banotti, Cocilovo, Costa Raffaele, Cushnahan, Doyle, Ebner, Flemming, Hieronymi, Karas, McCartin, Pirker, Rack, Rübig, Santer, Schierhuber, Stenzel, Trakatellis**PSE:** Andersson, Aparicio Sánchez, Baltas, Barón Crespo, Berenguer Fuster, Berès, van den Berg, Berger, Bösch, Bowe, Bullmann, Campos, Carlotti, Carnero González, Carraro, Casaca, Cercas, Cerdeira Morterero, Ceyhun, Colom i Naval, Corbett, Corbey, Darras, De Keyser, De Rossa, Désir, Díez González, Dührkop Dührkop, Duhamel, Duin, El Khadraoui, Ettl, Evans Robert J.E., Färm, Fava, Ferreira, Ford, Fruteau, Garot, Gebhardt, Gill, Gillig, Goebbels, Görlach, Gröner, Guy-Quint, Hänsch, Haug, Hazan, Hedkvist Petersen, Honeyball, Howitt, Hughes, van Hulten, Hume, Iivari, Izquierdo Collado, Izquierdo Rojo, Jöns, Junker, Karamanou, Karlsson, Katiforis, Keßler, Kindermann, Kinnock, Koukiadis, Krehl, Kreissl-Dörfler, Kuckelkorn, Kuhne, Lage, Lalumière, Lange, Leinen, Linkohr, Lund, McAvan, McNally, Malliori, Mann Erika, Marinho, Martin Hans-Peter, Martínez Martínez, Mastorakis, Medina Ortega, Mendiluce Pereiro, Menéndez del Valle, Miguélez Ramos, Miller, Miranda de Lage, Moraes, Morgan, Müller, Murphy, Myller, Napoletano, Obiols i Germà, O'Toole, Paasilinna, Paciotti, Patrie, Pérez Royo, Piecyk, Poignant, Poos, Prets, Rapkay, Read, Rocard, Roth-Behrendt, Rothe, Roure, Sacconi, Sakellariou, Sandberg-Fries, dos Santos, Sauquillo Pérez del Arco, Savary, Scheele, Schmid Gerhard, Schulz, Simpson, Skinner, Soares, Sornosa Martínez, Souladakis, Sousa Pinto, Stockmann, Swoboda, Terrón i Cusí, Theorin, Thorning-Schmidt, Titley, Torres Marques, Vairinhos, Valenciano Martínez-Orozco, Volcic, Walter, Watts, Weiler, Whitehead, Wiersma, Wynn, Zimeray, Zorba, Zrihen**UEN:** Andrews, Collins, Hyland, Queiró, Ribeiro e Castro**Verts/ALE:** Aaltonen, Ahern, Auroi, Boumediene-Thiery, Bouwman, Breyer, Buitenweg, Celli, Dhaene, Echerer, Evans Jillian, Flautre, Frassoni, Gahrton, Graefe zu Baringdorf, Hudghton, Isler Béguin, Jonckheer, Legendijk, Lambert, Lannoye, Lipietz, Lucas, MacCormick, McKenna, Maes, Mayol i Raynal, Nogueira Román, Onesta, Piétrasanta, Rod, de Roo, Rühle, Schörling, Schroedter, Sörensen, Voggenhuber, Wuori, Wyn**Against: 186****EDD:** Belder, Blokland, van Dam**NI:** Beysen, Claeys, Dillen, Garaud, de Gaulle, Gollnisch, Lang, de La Perriere, Martinez, Varaut**PPE-DE:** Almeida Garrett, Arvidsson, Atkins, Averoff, Avilés Perea, Ayuso González, Balfé, Bartolozzi, Bastos, Bayona de Perogordo, Beazley, Bébéar, Berend, Bodrato, Böge, Bowis, Bradbourn, Bremmer, Brok, Bushill-Matthews, Callanan, Camisón Asensio, Cardoso, Cederschiöld, Chichester, Coelho, Cornillet, Corrie, Daul, Deprez, De Sarnez, Descamps, De Veyrac, Dimitrakopoulos, Dover, Elles, Evans Jonathan, Fatuzzo, Ferber, Fernández Martín, Ferrer, Fiori, Florenz, Folias, Foster, Fourtou, Friedrich, Gahler, Galeote Quecedo, García-Margallo y Marfil, García-Orcoyen Tormo, Gargani, Garriga Polledo, Gawronski, Gemelli, Gil-Robles Gil-Delgado, Glase, Goepel, Gomolka, Goodwill, Gouveia, Grönfeldt Bergman, Grossetête, Gutiérrez-Cortines, Hansenne, Hatzidakis, Heaton-Harris, Helmer, Hermange, Hernández Mollar, Herranz García, Hortefeux, Inglewood, Jarzembowski, Jeggler, Kastler, Keppelhoff-Wiechert, Khanbhai, Kirkhope, Klamt, Knolle, Koch, Konrad, Korhola, Kratsa-Tsagaropoulou, Lamassoure, Langen, Langenhagen, Laschet,

Tuesday 13 January 2004

Lechner, Lehne, Liese, Lisi, Lulling, Maat, Mann Thomas, Marinos, Marques, Martens, Martin Hugues, Mastella, Matikainen-Kallström, Mayer Hans-Peter, Mayer Xaver, Méndez de Vigo, Menrad, Mombaur, Montfort, Morillon, Musotto, Nassauer, Nicholson, Niebler, Oomen-Ruijten, Pacheco Pereira, Pack, Parish, Pérez Álvarez, Perry, Pex, Piscarreta, Podestà, Poettering, Pomés Ruiz, Posselt, Pronk, Purvis, Quisthoudt-Rowohl, Radwan, Redondo Jiménez, Ripoll y Martínez de Bedoya, Rovsing, Sacrédeus, Salafranca Sánchez-Neyra, Santini, Sartori, Scallon, Schaffner, Schleicher, Schmitt, Schnellhardt, Schwaiger, Smet, Sommer, Stenmarck, Stevenson, Stockton, Sturdy, Sudre, Sumberg, Suominen, Tajani, Tannock, Theato, Thyssen, Twinn, Valdivielso de Cué, Van Orden, Varela Suanzes-Carpegna, van Velzen, de Veyrinas, Vidal-Quadras Roca, Villiers, Vlasto, Wenzel-Perillo, Wijkman, von Wogau, Wuermeling, Zabell, Zacharakis, Zappalà, Zimmerling, Zissener

Abstention: 20

EDD: Abitbol, Booth, Farage, Kuntz, Titford

GUE/NGL: Krarup

NI: Berthu, Souchet

PSE: Dehousse

UEN: Berlato, Caullery, Marchiani, Mussa, Musumeci, Nobilia, Pasqua, Poli Bortone, Segni, Thomas-Mauro, Turchi

Vidal-Quadras Roca report A5-0442/2003**Amendment 20****For: 134**

EDD: Andersen, Bonde, Sandbæk

ELDR: Boogerd-Quaak, van den Bos, Lynne

GUE/NGL: Bakopoulos, Bergaz Conesa, Bertinotti, Blak, Brie, Di Lello Finuoli, Fiebiger, Frahm, Fraise, Jové Peres, Kaufmann, Korakas, Koulourianos, Krivine, Manisco, Markov, Maset Campos, Meijer, Modrow, Morgantini, Patakis, Puerta, Schmid Herman, Schröder Ilka, Seppänen, Sjöstedt, Uca, Vachetta, Vinci

NI: Bonino, Cappato, Della Vedova, Dupuis, Hager, Kronberger, Pannella, Turco

PPE-DE: Banotti, Costa Raffaele, Cushnahan, Doyle, Ebner, Flemming, Karas, Pirker, Rack, Rübig, Santer, Schierhuber, Stenzel, Wijkman

PSE: van den Berg, Berger, Bösch, De Keyser, Duin, El Khadraoui, Ettl, Haug, Hedkvist Petersen, Hume, Izquierdo Rojo, Karlsson, Kinnock, Lange, Leinen, Lund, Marinho, Martin Hans-Peter, Mendiluce Pereiro, Müller, Myller, Pérez Royo, Prets, Rapkay, Roth-Behrendt, Sandberg-Fries, Scheele, Swiebel, Swoboda, Theorin, Valenciano Martínez-Orozco, Weiler, Wiersma

UEN: Andrews, Collins, Fitzsimons, Hyland, Ribeiro e Castro

Verts/ALE: Aaltonen, Ahern, Auroi, Boumediene-Thiery, Bouwman, Breyer, Buitenweg, Celli, Dhaene, Echerer, Evans Jillian, Flautre, Frassoni, Gahrton, Graefe zu Baringdorf, Hudghton, Isler Béguin, Jonckheer, Lagendijk, Lambert, Lannoye, Lipietz, Lucas, MacCormick, McKenna, Maes, Mayol i Raynal, Nogueira Román, Onesta, Piétrasanta, Rod, de Roo, Rühle, Schörling, Schroedter, Sørensen, Voggenhuber, Wuori, Wyn

Against: 373

EDD: Abitbol, Belder, Bernié, Blokland, Butel, van Dam, Esclopé, Kuntz, Mathieu, Saint-Josse

ELDR: Andreasen, André-Léonard, Attwooll, Busk, Calò, Clegg, De Clercq, Duff, Fleisch, Formentini, Gasòliba i Böhm, Huhne, Jensen, Ludford, Maaten, Malmström, Manders, Martelli, Monsonís Domingo, Mulder, Newton Dunn, Nordmann, Olsson, Paulsen, Pesälä, Plooij-van Gorsel, Pohjamo, Procacci, Ries, Riis-Jørgensen, Sbarbati, Schmidt, Sterckx, Sørensen, Väyrynen, Vallvé, Van Hecke, Wallis, Watson

Tuesday 13 January 2004

GUE/NGL: Ainardi, Bordes, Boudjenah, Caudron, Cauquil, Figueiredo, Laguiller, Naïr, Scarbonchi, Wurtz

NI: Berthu, Beysen, Claeys, Dillen, Garaud, de Gaulle, Gollnisch, Gorostiaga Atxalandabaso, Lang, de La Perriere, Martinez, Souchet

PPE-DE: Almeida Garrett, Arvidsson, Atkins, Averoff, Avilés Perea, Ayuso González, Balfé, Bartolozzi, Bastos, Bayona de Perogordo, Beazley, Bébéar, Berend, Bodrato, Böge, Bourlanges, Bowis, Bradbourn, Bremmer, Brok, Bushill-Matthews, Callanan, Camisón Asensio, Cardoso, Cederschiöld, Chichester, Cocilovo, Coelho, Cornillet, Corrie, Daul, Deprez, De Sarnez, Descamps, De Veyrac, Dimitrakopoulos, Dover, Elles, Evans Jonathan, Fatuzzo, Ferber, Fernández Martín, Ferrer, Fiori, Florenz, Foliás, Foster, Fourtou, Friedrich, Gahler, Galeote Quecedo, García-Margallo y Marfil, García-Orcoyen Tormo, Gargani, Garriga Polledo, Gawronski, Gemelli, Gil-Robles Gil-Delgado, Glase, Goepel, Gomolka, Goodwill, Gouveia, Grönfeldt Bergman, Grossetête, Hannan, Hansenne, Harbour, Hatzidakis, Heaton-Harris, Helmer, Hermange, Hernández Mollar, Herranz García, Hieronymi, Hortefeux, Inglewood, Jarzembowski, Jeggle, Kastler, Keppelhoff-Wiechert, Khanbhai, Kirkhope, Klamt, Knolle, Koch, Konrad, Kratsa-Tsagaropoulou, Lamassoure, Langen, Langenhagen, Laschet, Lechner, Lehne, Liese, Lisi, Lulling, Maat, McCartin, Mann Thomas, Marinos, Marques, Martens, Martin Hugues, Mastella, Matikainen-Kallström, Mayer Hans-Peter, Mayer Xaver, Méndez de Vigo, Menrad, Mombaur, Montfort, Morillon, Musotto, Naranjo Escobar, Nassauer, Nicholson, Niebler, Nisticò, Oomen-Ruijten, Pacheco Pereira, Pack, Parish, Pastorelli, Pérez Álvarez, Perry, Pex, Piscarreta, Podestà, Poettering, Pomés Ruiz, Posselt, Pronk, Purvis, Quisthoudt-Rowohl, Radwan, Ripoll y Martínez de Bedoya, Røvsing, Sacrédeus, Salafranca Sánchez-Neyra, Santini, Sartori, Scallon, Schaffner, Schleicher, Schmitt, Schnellhardt, Schwaiger, Smet, Sommer, Stenmarck, Stevenson, Stockton, Sturdy, Sudre, Sumberg, Suominen, Tajani, Tannock, Theato, Thyssen, Trakatellis, Twinn, Valdivielso de Cué, Van Orden, Varela Suanzes-Carpegna, van Velzen, de Veyrinas, Vidal-Quadras Roca, Villiers, Vlasto, Wenzel-Perillo, von Wogau, Wuermeling, Zabell, Zacharakis, Zappalà, Zimmerling, Zissener

PSE: Andersson, Aparicio Sánchez, Baltas, Barón Crespo, Berenguer Fuster, Berès, Bowe, Campos, Carlotti, Carrero González, Carraro, Casaca, Cercas, Cerdeira Morterero, Ceyhun, Colom i Naval, Corbett, Corbey, Darras, Dehousse, De Rossa, Désir, Díez González, Dührkop Dührkop, Duhamel, Evans Robert J.E., Färm, Fava, Ferreira, Ford, Fruteau, Garot, Gill, Gillig, Goebbels, Görlach, Gröner, Guy-Quint, Hänsch, Hazan, Honeyball, Howitt, Hughes, van Hulten, Iivari, Izquierdo Collado, Jöns, Junker, Karamanou, Katiforis, Keßler, Kindermann, Koukiadis, Krehl, Kreissl-Dörfler, Kuckelkorn, Kuhne, Lage, Lalumière, Linkohr, McAvan, McNally, Malliori, Mann Erika, Martínez Martínez, Mastorakis, Medina Ortega, Menéndez del Valle, Miguélez Ramos, Miller, Miranda de Lage, Moraes, Morgan, Murphy, Napoletano, Obiols i Germà, O'Toole, Paasilinna, Paciotti, Patrie, Piecyk, Poignant, Poos, Read, Rocard, Rothe, Roure, Sacconi, Sakellariou, Sauquillo Pérez del Arco, Savary, Schmid Gerhard, Schulz, Simpson, Skinner, Soares, Sornosa Martínez, Souladakis, Sousa Pinto, Stockmann, Terrón i Cusí, Thorning-Schmidt, Titley, Torres Marques, Vairinhos, Volcic, Walter, Watts, Whitehead, Wynn, Zimeray, Zorba

UEN: Berlato, Caullery, Marchiani, Mussa, Nobilia, Pasqua, Poli Bortone, Queiró, Segni, Thomas-Mauro, Turchi

Abstention: 10

EDD: Booth, Farage, Titford

ELDR: Dybkjær

GUE/NGL: Krarup

NI: Borghezio, Gobbo, Speroni

PSE: Zrihen

UEN: Musumeci

Vidal-Quadras Roca report A5-0442/2003

Amendment 26

For: 124

EDD: Andersen, Bernié, Bonde, Butel, Esclopé, Mathieu, Saint-Josse, Sandbæk

ELDR: Boogerd-Quaak, Dybkjær, Lynne

Tuesday 13 January 2004

GUE/NGL: Bordes, Cauquil, Fraisse, Krivine, Laguiller, Meijer, Vachetta

NI: Bonino, Cappato, Della Vedova, Dupuis, Hager, Kronberger, Pannella, Turco

PPE-DE: Banotti, Costa Raffaele, Cushnahan, Doyle, Ebner, Flemming, Hernández Mollar, Karas, Pirker, Rack, Rübiger, Santer, Scallon, Schierhuber, Stenzel

PSE: Andersson, Aparicio Sánchez, Berger, Bösch, Bullmann, Casaca, Cercas, Ceyhun, Corbett, Corbey, Duin, El Khadraoui, Ettl, Färm, Gebhardt, Görlach, Gröner, Haug, Hedkvist Petersen, Hume, Junker, Lange, Lund, Martin Hans-Peter, Mendiluce Pereiro, Müller, Myller, Pérez Royo, Prets, Roth-Behrendt, Roure, Sandberg-Fries, Scheele, Swoboda, Terrón i Cusí, Theorin, Thorning-Schmidt, Valenciano Martínez-Orozco, Weiler

UEN: Collins, Fitzsimons, Hyland, Queiró, Ribeiro e Castro

Verts/ALE: Aaltonen, Ahern, Auroi, Boumediene-Thiery, Bouwman, Breyer, Buitenweg, Celli, Dhaene, Echerer, Evans Jillian, Flautre, Frassoni, Gahrton, Graefe zu Baringdorf, Hudghton, Isler Béguin, Jonckheer, Lagendijk, Lambert, Lannoye, Lipietz, Lucas, MacCormick, McKenna, Maes, Mayol i Raynal, Nogueira Román, Onesta, Piétrasanta, Rod, de Roo, Rühle, Schörling, Schroedter, Sörensen, Voggenhuber, Wuori, Wyn

Against: 385

EDD: Abitbol, Belder, Blokland, Booth, Coûteaux, van Dam, Farage, Kuntz, Titford

ELDR: Andreasen, André-Léonard, Attwooll, Busk, Calò, Clegg, De Clercq, Duff, Fleisch, Formentini, Gasòliba i Böhm, Huhne, Jensen, Ludford, Maaten, Malmström, Manders, Martelli, Monsonís Domingo, Mulder, Newton Dunn, Nordmann, Paulsen, Pesälä, Plooij-van Gorsel, Pohjamo, Procacci, Ries, Riis-Jørgensen, Sbarbati, Schmidt, Sterckx, Sørensen, Väyrynen, Vallvé, Van Hecke, Wallis, Watson

GUE/NGL: Ainardi, Bakopoulos, Bergaz Conesa, Bertinotti, Blak, Boudjenah, Brie, Caudron, Di Lello Finuoli, Fiebiger, Figueiredo, Jové Peres, Kaufmann, Korakas, Koulourianos, Krarup, Manisco, Markov, Marset Campos, Modrow, Morgantini, Nair, Patakis, Puerta, Scarbonchi, Schmid Herman, Schröder Ilka, Seppänen, Sjöstedt, Uca, Vinci, Wurtz

NI: Berthu, Beysen, Claeys, Dillen, Garaud, de Gaulle, Gorostiaga Atxalandabaso, Lang, de La Perriere, Martinez, Souchet, Varaut

PPE-DE: Arvidsson, Atkins, Averoff, Avilés Perea, Ayuso González, Balfe, Bartolozzi, Bayona de Perogordo, Beazley, Bébéar, Bodrato, Bourlanges, Bowis, Bradbourn, Bremmer, Brok, Bushill-Matthews, Callanan, Camisón Asensio, Cardoso, Cederschiöld, Chichester, Cocilovo, Coelho, Cornillet, Corrie, Daul, Deprez, De Sarnez, Descamps, De Veyrac, Dimitrakopoulos, Dover, Elles, Evans Jonathan, Fatuzzo, Ferber, Fernández Martín, Ferrer, Fiori, Florenz, Foliás, Foster, Fourtoul, Friedrich, Gahler, Galeote Quecedo, García-Margallo y Marfil, García-Orcyoyen Tormo, Gargani, Garriga Polledo, Gemelli, Gil-Robles Gil-Delgado, Glase, Goepel, Gomolka, Goodwill, Gouveia, Grönfeldt Bergman, Grossetête, Gutiérrez-Cortines, Hannan, Hansenne, Harbour, Hatzidakis, Heaton-Harris, Helmer, Hermange, Herranz García, Hieronymi, Hortefeux, Inglewood, Jarzembowski, Jeggler, Kastler, Keppelhoff-Wiechert, Khanbhai, Kirkhope, Klamt, Knolle, Koch, Konrad, Korhola, Kratsa-Tsagaropoulou, Lamassoure, Langen, Langenhagen, Laschet, Lechner, Lehne, Liese, Lisi, Lulling, Maat, McCartin, Mann Thomas, Marinos, Marques, Martens, Martin Hugues, Mastella, Matikainen-Kallström, Mayer Hans-Peter, Mayer Xaver, Méndez de Vigo, Menrad, Mombaur, Montfort, Morillon, Musotto, Naranjo Escobar, Nassauer, Nicholson, Niebler, Nisticò, Oomen-Ruijten, Pacheco Pereira, Pack, Parish, Pastorelli, Pérez Álvarez, Perry, Pex, Piscarreta, Podestà, Poettering, Pomés Ruiz, Posselt, Pronk, Purvis, Quisthoudt-Rowohl, Radwan, Ripoll y Martínez de Bedoya, Rovsing, Sacrédeus, Salafranca Sánchez-Neyra, Santini, Sartori, Schaffner, Schleicher, Schmitt, Schnellhardt, Schwaiger, Smet, Sommer, Stenmarck, Stevenson, Stockton, Sturdy, Sudre, Sumberg, Suominen, Tajani, Tannock, Theato, Trakatellis, Twinn, Valdivielso de Cué, Van Orden, Varela Suanzes-Carpegna, van Velzen, de Veyrinas, Vidal-Quadras Roca, Villiers, Vlasto, Wenzel-Perillo, Wijkman, von Wogau, Wuermeling, Zabell, Zacharakis, Zappalà, Zimmerling, Zissener

PSE: Baltas, Barón Crespo, Berenguer Fuster, Berès, van den Berg, Bowe, Campos, Carlotti, Carnero González, Carraro, Cerdeira Morterero, Colom i Naval, Darras, Dehousse, De Rosa, Désir, Díez González, Dührkop Dührkop, Duhamel, Evans Robert J.E., Fava, Ferreira, Ford, Fruteau, Garot, Gill, Gillig, Goebbels, Guy-Quint, Hänsch, Hazan, Honeyball, Howitt, Hughes, van Hulten, Iivari, Izquierdo Collado, Izquierdo Rojo, Jöns, Karamanou, Karlsson, Katiforis, Keßler, Kindermann, Kinnock, Koukiadis, Krehl, Kreissl-Dörfler, Kuckelkorn, Kuhne, Lage, Lalumière, Leinen, Linkohr, McAvan, McNally, Malliori, Mann Erika, Marinho, Martínez Martínez, Mastorakis, Medina Ortega, Menéndez del Valle, Miguélez Ramos, Miller,

Tuesday 13 January 2004

Miranda de Lage, Moraes, Morgan, Murphy, Napolitano, Obiols i Germà, O'Toole, Paciotti, Patrie, Piecyk, Poignant, Poos, Rapkay, Read, Rocard, Rothe, Sacconi, Sakellariou, dos Santos, Sauquillo Pérez del Arco, Savary, Schulz, Simpson, Skinner, Soares, Sornosa Martínez, Souladakis, Sousa Pinto, Stockmann, Swibel, Titley, Torres Marques, Vairinhos, Volcic, Walter, Watts, Whitehead, Wiersma, Wynn, Zimeray, Zorba, Zrihen

UEN: Berlato, Camre, Caullery, Marchiani, Mussa, Musumeci, Nobilia, Pasqua, Poli Bortone, Segni, Thomas-Mauro, Turchi

Abstention: 7

ELDR: van den Bos

GUE/NGL: Frahm

NI: Borghezio, Gobbo, Speroni

PPE-DE: Bastos

PSE: Schmid Gerhard

Vidal-Quadras Roca report A5-0442/2003

Amendment 13

For: 194

EDD: Andersen, Belder, Bernié, Blokland, Bonde, Butel, van Dam, Esclopé, Mathieu, Saint-Josse, Sandbæk

ELDR: Andreasen, Attwooll, Boogerd-Quaak, van den Bos, Busk, Calò, Clegg, De Clercq, Duff, Dybkjær, Flesch, Formentini, Gasòliba i Böhm, Huhne, Jensen, Ludford, Lynne, Maaten, Malmström, Manders, Martelli, Monsonís Domingo, Mulder, Newton Dunn, Olsson, Paulsen, Pesälä, Plooij-van Gorsel, Pohjamo, Procacci, Ries, Riis-Jørgensen, Sbarbati, Schmidt, Sterckx, Sørensen, Väyrynen, Vallvé, Van Hecke, Wallis, Watson

GUE/NGL: Bakopoulos, Bergaz Conesa, Bertinotti, Blak, Bordes, Brie, Cauquil, Di Lello Finuoli, Fiebiger, Frahm, Fraisse, Jové Peres, Kaufmann, Korakas, Koulourianos, Krarup, Krivine, Laguiller, Manisco, Markov, Marset Campos, Meijer, Modrow, Morgantini, Patakis, Puerta, Schmid Herman, Schröder Ilka, Seppänen, Sjøstedt, Uca, Vachetta, Vinci

NI: Bonino, Cappato, Claeys, Della Vedova, Dillen, Dupuis, de Gaulle, Gollnisch, Hager, Kronberger, Lang, Martinez, Pannella, Turco

PPE-DE: Banotti, Cushnahan, Doyle, Ebner, Flemming, Karas, Pirker, Piscarreta, Rack, Rübig, Santer, Scallon, Schierhuber, Stenzel, Zappalà

PSE: Andersson, Aparicio Sánchez, van den Berg, Berger, Bösch, Bullmann, Cercas, Corbey, De Keyser, Duin, El Khadraoui, Ettl, Färm, Gebhardt, Görlach, Hedkvist Petersen, Hume, Karlsson, Kreissl-Dörfler, Lange, Leinen, Lund, Mendiluce Pereiro, Müller, Myller, Pérez Royo, Prets, Roth-Behrendt, Roure, Sandberg-Fries, Scheele, Swoboda, Theorin, Thorning-Schmidt, Valenciano Martínez-Orozco, Weiler, Zrihen

UEN: Andrews, Collins, Fitzsimons, Hyland

Verts/ALE: Aaltonen, Ahern, Auroi, Boumediene-Thiery, Bouwman, Breyer, Buitenweg, Celli, Dhaene, Echerer, Evans Jillian, Flautre, Frassoni, Gahrton, Graefe zu Baringdorf, Hudghton, Isler Béguin, Jonckheer, Legendijk, Lambert, Lannoye, Lipietz, Lucas, MacCormick, McKenna, Maes, Mayol i Raynal, Nogueira Román, Onesta, Piétrasanta, Rod, de Roo, Rühle, Schörling, Schroedter, Sørensen, Voggenhuber, Wuori, Wyn

Against: 324

EDD: Abitbol, Booth, Coûteaux, Farage, Kuntz, Titford

ELDR: André-Léonard, Nordmann

GUE/NGL: Ainardi, Boudjenah, Caudron, Figueiredo, Nair, Scarbonchi, Wurtz

Tuesday 13 January 2004

NI: Berthu, Beysen, Garaud, Gorostiaga Atxalandabaso, de La Perriere, Souchet, Varaut

PPE-DE: Almeida Garrett, Arvidsson, Atkins, Averoff, Avilés Perea, Ayuso González, Balfé, Bartolozzi, Bastos, Bayona de Perogordo, Beazley, Bébéar, Berend, Bodrato, Böge, Bourlanges, Bowis, Bradbourn, Bremmer, Brok, Bushill-Matthews, Callanan, Camisón Asensio, Cardoso, Cederschiöld, Chichester, Cocilovo, Coelho, Cornillet, Corrie, Costa Raffaele, Daul, Deprez, De Sarnez, Descamps, De Veyrac, Dimitrakopoulos, Dover, Elles, Evans Jonathan, Fatuzzo, Ferber, Fernández Martín, Ferrer, Fiori, Florenz, Folias, Foster, Fourtou, Friedrich, Gahler, Galeote Quecedo, García-Margallo y Marfil, García-Orcoyen Tormo, Gargani, Garriga Polledo, Gawronski, Gemelli, Gil-Robles Gil-Delgado, Glase, Goepel, Gomolka, Goodwill, Gouveia, Grönfeldt Bergman, Grossetête, Gutiérrez-Cortines, Hannan, Hansenne, Harbour, Hatzidakis, Heaton-Harris, Helmer, Hermange, Hernández Mollar, Herranz García, Hieronymi, Hortefeux, Inglewood, Jarzembowski, Jeggle, Kastler, Keppelhoff-Wiechert, Khanbhai, Kirkhope, Klamt, Knolle, Koch, Konrad, Korhola, Kratsa-Tsagaropoulou, Lamassoure, Langen, Langenhagen, Laschet, Lechner, Lehne, Liese, Lisi, Lulling, Maat, McCartin, Mann Thomas, Marinos, Marques, Martens, Martin Hugues, Mastella, Matikainen-Kallström, Mayer Hans-Peter, Mayer Xavier, Méndez de Vigo, Menrad, Mombaur, Montfort, Morillon, Musotto, Naranjo Escobar, Nassauer, Nicholson, Niebler, Nisticò, Oomen-Ruijten, Pacheco Pereira, Pack, Parish, Pastorelli, Pérez Álvarez, Perry, Pex, Podestà, Poettering, Pomés Ruiz, Posselt, Pronk, Purvis, Quisthoudt-Rowohl, Radwan, Redondo Jiménez, Ripoll y Martínez de Bedoya, Rovsing, Sacrédeus, Salafranca Sánchez-Neyra, Santini, Sartori, Schaffner, Schleicher, Schmitt, Schnellhardt, Schwaiger, Smet, Sommer, Stenmarck, Stevenson, Stockton, Sturdy, Sudre, Sumberg, Suominen, Tajani, Tannock, Theato, Thyssen, Trakatellis, Twinn, Valdivielso de Cué, Van Orden, Varela Suanzes-Carpegna, van Velzen, de Veyrinas, Vidal-Quadras Roca, Villiers, Vlasto, Wenzel-Perillo, von Wogau, Wuermeling, Zabell, Zacharakis, Zimmerling, Zissener

PSE: Baltas, Barón Crespo, Berenguer Fuster, Berès, Bowe, Campos, Carlotti, Carnero González, Carraro, Casaca, Cerdeira Morterero, Ceyhun, Colom i Naval, Corbett, Darras, De Rossa, Díez González, Dührkop Dührkop, Duhamel, Evans Robert J.E., Fava, Ford, Fruteau, Garot, Gill, Gillig, Goebbels, Gröner, Guy-Quint, Hänsch, Haug, Hazan, Honeyball, Howitt, Hughes, van Hulten, Iivari, Izquierdo Collado, Izquierdo Rojo, Jöns, Junker, Karamanou, Katiforis, Keßler, Kindermann, Kinnock, Koukiadis, Krehl, Kuckelkorn, Kuhne, Lage, Lalumière, Linkohr, McAvan, McNally, Malliori, Mann Erika, Marinho, Martin Hans-Peter, Martínez Martínez, Mastorakis, Medina Ortega, Menéndez del Valle, Miguélez Ramos, Miller, Miranda de Lage, Moraes, Morgan, Murphy, Napolitano, Obiols i Germà, O'Toole, Paasilinna, Paciotti, Patrie, Piecyk, Poignant, Poos, Rapkay, Read, Rocard, Rothe, Sacconi, Sakellariou, dos Santos, Sauquillo Pérez del Arco, Savary, Schulz, Simpson, Skinner, Soares, Sornosa Martínez, Souladakis, Sousa Pinto, Stockmann, Swiebel, Terrón i Cusí, Titley, Torres Marques, Vairinhos, Volcic, Walter, Watts, Whitehead, Wiersma, Wynn, Zimeray, Zorba

UEN: Berlato, Camre, Caullery, Marchiani, Mussa, Musumeci, Nobilia, Pasqua, Poli Bortone, Queiró, Ribeiro e Castro, Segni, Thomas-Mauro, Turchi

Abstention: 8

NI: Borghezio, Gobbo, Speroni

PPE-DE: Wijkman

PSE: Dehousse, Désir, Ferreira, Schmid Gerhard

Seppänen report A5-0441/2003

Amendment 11

For: 335

EDD: Abitbol, Andersen, Bernié, Bonde, Butel, Esclopé, Kuntz, Mathieu, Saint-Josse, Sandbæk

ELDR: Andreasen, André-Léonard, Attwooll, Boogerd-Quaak, van den Bos, Busk, Calò, Clegg, De Clercq, Duff, Dybkjær, Flesch, Formentini, Gasòliba i Böhm, Huhne, Jensen, Ludford, Lynne, Maaten, Malmström, Manders, Martelli, Monsonís Domingo, Mulder, Newton Dunn, Nordmann, Olsson, Paulsen, Pesälä, Plooi-j-van Gorsel, Pohjamo, Procacci, Ries, Riis-Jørgensen, Sbarbati, Schmidt, Sterckx, Sørensen, Väyrynen, Vallvé, Van Hecke, Wallis, Watson

GUE/NGL: Ainardi, Bakopoulos, Bergaz Conesa, Bertinotti, Blak, Bordes, Boudjenah, Brie, Caudron, Cauquil, Di Lello Finuoli, Fiebiger, Figueiredo, Frahm, Fraisse, Jové Peres, Kaufmann, Korakas,

Tuesday 13 January 2004

Koulourianos, Krarup, Krivine, Laguiller, Manisco, Markov, Marset Campos, Meijer, Modrow, Morgantini, Nair, Patakis, Puerta, Scarbonchi, Schmid Herman, Schröder Ilka, Seppänen, Sjöstedt, Uca, Vachetta, Vinci, Wurtz

NI: Berthu, Bonino, Borghezio, Cappato, Claeys, Della Vedova, Dillen, Dupuis, Garaud, de Gaulle, Gobbo, Gollnisch, Gorostiaga Atxalandabaso, Hager, Kronberger, Lang, de La Perriere, Martinez, Pannella, Souchet, Speroni, Turco, Varaut

PPE-DE: Banotti, Costa Raffaele, Cushnahan, Doyle, Ebner, Flemming, Karas, Pirker, Posselt, Rack, Rübig, Santer, Scallion, Schierhuber, Stenzel, Trakatellis

PSE: Andersson, Aparicio Sánchez, Baltas, Barón Crespo, Berenguer Fuster, Berès, van den Berg, Berger, Bösch, Bowe, Bullmann, Campos, Carlotti, Carnero González, Carraro, Casaca, Cercas, Cerdeira Morterero, Ceyhun, Colom i Naval, Corbett, Corbey, Darras, Dehousse, De Keyser, De Rossa, Désir, Díez González, Dührkop Dührkop, Duhamel, El Khadraoui, Ettl, Evans Robert J.E., Färm, Fava, Ferreira, Ford, Fruteau, Garot, Gebhardt, Gill, Gillig, Goebbels, Görlach, Gröner, Guy-Quint, Hänsch, Haug, Hazan, Hedkvist Petersen, Honeyball, Howitt, Hughes, van Hulst, Hume, Iivari, Izquierdo Collado, Izquierdo Rojo, Jöns, Junker, Karamanou, Karlsson, Katiforis, Keßler, Kindermann, Kinnock, Koukiadis, Krehl, Kreissl-Dörfler, Kuckelkorn, Kuhne, Lage, Lalumière, Lange, Leinen, Linkohr, Lund, McAvan, McNally, Malliori, Mann Erika, Marinho, Martin Hans-Peter, Martínez Martínez, Mastorakis, Medina Ortega, Mendiluce Pereiro, Menéndez del Valle, Miguélez Ramos, Miller, Miranda de Lage, Moraes, Morgan, Müller, Murphy, Myller, Napolitano, Obiols i Germà, O'Toole, Paasilinna, Paciotti, Patrie, Pérez Royo, Piecyk, Poignant, Poos, Prets, Rapkay, Read, Rocard, Roth-Behrendt, Rothe, Roure, Sacconi, Sakellariou, Sandberg-Fries, dos Santos, Sauquillo Pérez del Arco, Savary, Scheele, Schulz, Simpson, Skinner, Soares, Sornosa Martínez, Souladakis, Sousa Pinto, Stockmann, Swiebel, Swoboda, Terrón i Cusí, Theorin, Thorning-Schmidt, Titley, Torres Marques, Vairinhos, Valenciano Martínez-Orozco, Volcic, Walter, Watts, Weiler, Whitehead, Wiersma, Wynn, Zimeray, Zorba, Zrihen

UEN: Andrews, Berlato, Camre, Caullery, Collins, Fitzsimons, Hyland, Marchiani, Mussa, Musumeci, Nobilia, Pasqua, Poli Bortone, Queiró, Ribeiro e Castro, Segni, Thomas-Mauro, Turchi

Verts/ALE: Aaltonen, Ahern, Auroi, Boumediene-Thiery, Bouwman, Breyer, Buitenweg, Celli, Echerer, Evans Jillian, Flautre, Frassoni, Gahrton, Graefe zu Baringdorf, Hudghton, Iler Béguin, Jonckheer, Lagendijk, Lambert, Lannoye, Lipietz, Lucas, MacCormick, McKenna, Maes, Mayol i Raynal, Nogueira Román, Onesta, Piétrasanta, Rod, de Roo, Rühle, Schörling, Schroedter, Sörensen, Voggenhuber, Wuori, Wyn

Against: 182

EDD: Belder, Blokland, van Dam

NI: Beysen

PPE-DE: Almeida Garrett, Arvidsson, Atkins, Averoff, Avilés Perea, Ayuso González, Balfe, Bartolozzi, Bastos, Bayona de Perogordo, Beazley, Bébéar, Berend, Bodrato, Böge, Bourlanges, Bowis, Bradbourn, Bremmer, Brok, Bushill-Matthews, Callanan, Camisón Asensio, Cardoso, Cederschiöld, Chichester, Coelho, Cornillet, Corrie, Daul, Deprez, De Sarnez, Descamps, De Veyrac, Dimitrakopoulos, Dover, Elles, Evans Jonathan, Fatuzzo, Ferber, Fernández Martín, Ferrer, Fiori, Florenz, Folias, Foster, Fourtou, Friedrich, Gahler, Galeote Quecedo, García-Margallo y Marfil, García-Orcoyen Tormo, Gargani, Garriga Polledo, Gawronski, Gemelli, Gil-Robles Gil-Delgado, Glase, Goepel, Gomolka, Goodwill, Gouveia, Grönfeldt Bergman, Grossetête, Gutiérrez-Cortines, Hannan, Hansenne, Harbour, Hatzidakis, Heaton-Harris, Helmer, Herrmange, Hernández Mollar, Herranz García, Hieronymi, Inglewood, Jarzembowski, Jeggler, Kastler, Keppelhoff-Wiechert, Khanbhai, Kirkhope, Klamt, Knolle, Koch, Konrad, Korhola, Kratsa-Tsagaropoulou, Lamassoure, Langen, Langenhagen, Laschet, Lechner, Lehne, Liese, Lisi, Lulling, Maat, McCartin, Mann Thomas, Marinos, Marques, Martens, Martin Hugues, Mastella, Matikainen-Kallström, Mayer Hans-Peter, Mayer Xaver, Méndez de Vigo, Menrad, Mombaur, Montfort, Morillon, Musotto, Naranjo Escobar, Nassauer, Nicholson, Niebler, Nisticò, Oomen-Ruijten, Pacheco Pereira, Pack, Parish, Pastorelli, Pérez Álvarez, Perry, Pex, Piscarreta, Podestà, Poettering, Pomés Ruiz, Pronk, Purvis, Quisthoudt-Rowohl, Radwan, Redondo Jiménez, Ripoll y Martínez de Bedoya, Rosing, Sacrédeus, Salafranca Sánchez-Neyra, Santini, Sartori, Schaffner, Schleicher, Schmitt, Schnellhardt, Schwaiger, Smet, Sommer, Stenmark, Stevenson, Stockton, Sturdy, Sudre, Sumberg, Suominen, Tajani, Tannock, Theato, Thyssen, Twinn, Valdivielso de Cué, Van Orden, Varela Suanzes-Carpegna, van Velzen, de Veyrinas, Vidal-Quadras Roca, Villiers, Vlasto, Wenzel-Perillo, Wijkman, von Wogau, Wuermeling, Zabell, Zacharakis, Zappalà, Zimmerling, Zissener

Tuesday 13 January 2004

Abstention: 5**EDD:** Booth, Farage, Titford**PPE-DE:** Cocilovo**PSE:** Schmid Gerhard**Seppänen report A5-0441/2003****Amendment 28****For: 299****EDD:** Andersen, Bonde, Sandbæk**ELDR:** Andreasen, André-Léonard, Attwooll, Boogerd-Quaak, van den Bos, Busk, Calò, Clegg, De Clercq, Duff, Dybkjær, Flesch, Formentini, Gasòliba i Böhm, Huhne, Jensen, Ludford, Lynne, Maaten, Malmström, Manders, Martelli, Monsonís Domingo, Mulder, Newton Dunn, Nordmann, Olsson, Paulsen, Pesälä, Plooij-van Gorsel, Pohjamo, Procacci, Ries, Riis-Jørgensen, Sbarbati, Schmidt, Sterckx, Sørensen, Väyrynen, Vallvé, Van Hecke, Wallis, Watson**GUE/NGL:** Ainardi, Bakopoulos, Bergaz Conesa, Bertinotti, Blak, Bordes, Boudjenah, Brie, Caudron, Cauquil, Di Lello Finuoli, Fiebigler, Figueiredo, Frahm, Fraisse, Jové Peres, Kaufmann, Koulourianos, Krarup, Krivine, Laguiller, Manisco, Markov, Marset Campos, Meijer, Modrow, Morgantini, Nair, Puerta, Scarbonchi, Schmid Herman, Schröder Ilka, Seppänen, Sjöstedt, Uca, Vachetta, Vinci, Wurtz**NI:** Bonino, Cappato, Della Vedova, Dupuis, Gorostiaga Atxalandabaso, Hager, Kronberger, Pannella, Turco**PPE-DE:** Banotti, Cocilovo, Cushnahan, Dimitrakopoulos, Doyle, Ebner, Fatuzzo, Flemming, Karas, McCartin, Rack, Rübiger, Santer, Schierhuber, Stenzel, Trakatellis, Wijkman**PSE:** Andersson, Aparicio Sánchez, Baltas, Barón Crespo, Berenguer Fuster, Berès, van den Berg, Berger, Bösch, Bowe, Bullmann, Campos, Carlotti, Carnero González, Carraro, Casaca, Cerdeira Morterero, Ceyhun, Colom i Naval, Corbett, Corbey, Darras, Dehousse, De Keyser, De Rossa, Désir, Díez González, Dührkop Dührkop, Duhamel, Duin, El Khadraoui, Ettl, Evans Robert J.E., Färm, Fava, Ferreira, Ford, Fruteau, Garot, Gebhardt, Gill, Gillig, Goebbels, Görlach, Gröner, Guy-Quint, Hänsch, Haug, Hazan, Hedkvist Petersen, Honeyball, Howitt, Hughes, van Hulst, Hume, Iivari, Izquierdo Collado, Izquierdo Rojo, Jöns, Junker, Karamanou, Karlsson, Katiforis, Keßler, Kindermann, Kinnock, Koukiadis, Krehl, Kreissl-Dörfler, Kuckelkorn, Kuhne, Lage, Lalumière, Lange, Leinen, Linkohr, Lund, McAvan, McNally, Malliori, Mann Erika, Marinho, Martin Hans-Peter, Martínez Martínez, Mastorakis, Medina Ortega, Mendiluce Pereiro, Menéndez del Valle, Miguélez Ramos, Miller, Miranda de Lage, Moraes, Morgan, Müller, Murphy, Myller, Napoletano, Obiols i Germà, O'Toole, Paasilinna, Paciotti, Patrie, Pérez Royo, Piecyk, Poignant, Poos, Prets, Rapkay, Read, Rocard, Roth-Behrendt, Rothe, Roure, Sacconi, Sakellariou, Sandberg-Fries, dos Santos, Sauquillo Pérez del Arco, Savary, Scheele, Simpson, Skinner, Soares, Sornosa Martínez, Souladakis, Sousa Pinto, Stockmann, Swibel, Swoboda, Terrón i Cusí, Theorin, Thorning-Schmidt, Titley, Torres Marques, Vairinhos, Valenciano Martínez-Orozco, Volcic, Walter, Watts, Weiler, Whitehead, Wiersma, Zimeray, Zorba, Zrihen**UEN:** Andrews, Collins, Fitzsimons, Hyland**Verts/ALE:** Aaltonen, Ahern, Auroi, Boumediene-Thiery, Bouwman, Breyer, Buitenweg, Celli, Dhaene, Echerer, Evans Jillian, Flautre, Frassoni, Gahrton, Graefe zu Baringdorf, Hudghton, Isler Béguin, Jonckheer, Legendijk, Lambert, Lannoye, Lipietz, Lucas, MacCormick, McKenna, Maes, Mayol i Raynal, Nogueira Román, Onesta, Piétrasanta, Rod, de Roo, Rühle, Schörling, Schroedter, Sörensen, Turmes, Voggenhuber, Wuori, Wyn**Against: 210****EDD:** Abitbol, Belder, Blokland, Booth, Coûteaux, van Dam, Farage, Kuntz, Titford**NI:** Berthu, Beysen, Claeys, Dillen, Garaud, de Gaulle, Gollnisch, Lang, de La Perriere, Martinez, Souchet, Varaut

Tuesday 13 January 2004

PPE-DE: Almeida Garrett, Arvidsson, Atkins, Averoff, Avilés Perea, Ayuso González, Balfé, Bartolozzi, Bastos, Bayona de Perogordo, Beazley, Bébéar, Berend, Bodrato, Böge, Bourlanges, Bowis, Bradbourn, Bremmer, Brok, Bushill-Matthews, Callanan, Camisón Asensio, Cardoso, Cederschiöld, Chichester, Coelho, Cornillet, Corrie, Costa Raffaele, Daul, Deprez, De Sarnez, Descamps, De Veyrac, Dover, Elles, Evans Jonathan, Ferber, Fernández Martín, Ferrer, Fiori, Florenz, Folias, Foster, Fournou, Friedrich, Gahler, Galeote Quecedo, García-Margallo y Marfil, García-Orcoyen Tormo, Gargani, Garriga Polledo, Gawronski, Gemelli, Gil-Robles Gil-Delgado, Glase, Goepel, Gomolka, Goodwill, Gouveia, Grönfeldt Bergman, Grossetête, Gutiérrez-Cortines, Hannan, Hansenne, Harbour, Hatzidakis, Heaton-Harris, Helmer, Hermange, Hernández Mollar, Herranz García, Hieronymi, Hortefeux, Inglewood, Jarzembowski, Jeggler, Kastler, Keppelhoff-Wiechert, Khanbhai, Kirkhope, Klamt, Knolle, Koch, Konrad, Korhola, Kratsa-Tsagaropoulou, Lamassoure, Langen, Langenhagen, Laschet, Lechner, Lehne, Liese, Lisi, Lulling, Mann Thomas, Marinos, Marques, Martens, Martin Hugues, Mastella, Matikainen-Kallström, Mayer Hans-Peter, Mayer Xaver, Méndez de Vigo, Menrad, Mombaur, Morillon, Musotto, Naranjo Escobar, Nassauer, Nicholson, Niebler, Nisticò, Oomen-Ruijten, Pacheco Pereira, Pack, Parish, Pastorelli, Pérez Álvarez, Perry, Pex, Piscarreta, Podestà, Poettering, Pomés Ruiz, Posselt, Pronk, Purvis, Quisthoudt-Rowohl, Radwan, Redondo Jiménez, Ripoll y Martínez de Bedoya, Rovsing, Sacrédeus, Salafraña Sánchez-Neyra, Santini, Sartori, Schaffner, Schleicher, Schmitt, Schnellhardt, Schwaiger, Smet, Sommer, Stenmarck, Stevenson, Stockton, Sturdy, Sudre, Sumberg, Suominen, Tajani, Tannock, Theato, Thyssen, Twinn, Valdivielso de Cué, Van Orden, Varela Suanzes-Carpegna, van Velzen, de Veyrinas, Vidal-Quadras Roca, Villiers, Vlasto, Wenzel-Perillo, von Wogau, Wuermeling, Zabell, Zacharakis, Zappalà, Zimmerling, Zissener

UEN: Berlato, Camre, Caullery, Marchiani, Mussa, Musumeci, Nobilia, Pasqua, Poli Bortone, Queiró, Ribeiro e Castro, Segni, Thomas-Mauro, Turchi

Abstention: 12

EDD: Bernié, Butel, Esclopé, Mathieu, Saint-Josse

GUE/NGL: Korakas, Patakis

NI: Borghezio, Gobbo, Speroni

PSE: Schmid Gerhard, Wynn

Seppänen report A5-0441/2003

Amendment 29

For: 275

EDD: Andersen, Bernié, Bonde, Butel, Esclopé, Mathieu, Saint-Josse, Sandbæk

ELDR: Boogerd-Quaak, Dybkjær, Lynne, Monsonís Domingo, Vallé

GUE/NGL: Ainardi, Bakopoulos, Bergaz Conesa, Bertinotti, Blak, Bordes, Boudjenah, Brie, Caudron, Cauquil, Di Lello Finuoli, Fiebiger, Figueiredo, Frahm, Fraise, Jové Peres, Kaufmann, Korakas, Koulourianos, Krarup, Krivine, Laguiller, Manisco, Markov, Marset Campos, Meijer, Modrow, Morgantini, Naïr, Patakis, Puerta, Scarbonchi, Schmid Herman, Schröder Ilka, Seppänen, Sjöstedt, Uca, Vachetta, Vinci, Wurtz

NI: Bonino, Borghezio, Cappato, Claeys, Della Vedova, Dillen, Dupuis, Garaud, de Gaulle, Gobbo, Gollnisch, Gorostiaga Atxalandabaso, Hager, Kronberger, Lang, Martinez, Pannella, Speroni, Turco

PPE-DE: Banotti, Bodrato, Cushnahan, Dimitrakopoulos, Doyle, Ebner, Flemming, Karas, Pirker, Rack, Rübig, Sacrédeus, Santer, Scallan, Schierhuber, Stenzel, Trakatellis

PSE: Andersson, Aparicio Sánchez, Baltas, Barón Crespo, Berenguer Fuster, Berès, van den Berg, Berger, Bösch, Bowe, Bullmann, Campos, Carlotti, Carnero González, Carraro, Casaca, Cercas, Cerdeira Morterero, Ceyhun, Colom i Naval, Corbett, Corbey, Darras, De Keyser, De Rossa, Désir, Díez González, Dührkop Dührkop, Duhamel, Duin, El Khadraoui, Ettl, Evans Robert J.E., Färm, Fava, Ford, Fruteau, Garot, Gebhardt, Gill, Gillig, Goebbels, Görlach, Gröner, Guy-Quint, Hänsch, Haug, Hazan, Hedkvist Petersen, Honeyball, Howitt, Hughes, van Hulten, Hume, Iivari, Izquierdo Collado, Izquierdo Rojo, Jöns, Junker,

Tuesday 13 January 2004

Karamanou, Karlsson, Katiforis, Keßler, Kindermann, Kinnock, Koukiadis, Krehl, Kreissl-Dörfler, Kuckelkorn, Kuhne, Lage, Lalumière, Lange, Leinen, Linkohr, Lund, McAvan, McNally, Malliori, Mann Erika, Marinho, Martin Hans-Peter, Martínez Martínez, Mastorakis, Medina Ortega, Mendiluce Pereiro, Menéndez del Valle, Miguélez Ramos, Miller, Miranda de Lage, Moraes, Morgan, Müller, Murphy, Myller, Napoletano, O'Toole, Paciotti, Patrie, Pérez Royo, Piecyk, Poignant, Poos, Rapkay, Read, Rocard, Roth-Behrendt, Rothe, Roure, Sacconi, Sakellariou, Sandberg-Fries, dos Santos, Sauquillo Pérez del Arco, Savary, Scheele, Schmid Gerhard, Simpson, Skinner, Soares, Sornosa Martínez, Souldakis, Sousa Pinto, Stockmann, Swibel, Swoboda, Terrón i Cusi, Theorin, Thorning-Schmidt, Titley, Torres Marques, Vairinhos, Valenciano Martínez-Orozco, Volcic, Walter, Watts, Weiler, Whitehead, Wiersma, Zimeray, Zorba, Zrihen

UEN: Andrews, Collins, Fitzsimons, Hyland

Verts/ALE: Aaltonen, Ahern, Auroi, Boumediene-Thiery, Bouwman, Breyer, Buitenweg, Celli, Dhaene, Echerer, Evans Jillian, Flautre, Frassoni, Gahrton, Graefe zu Baringdorf, Hudghton, Isler Béguin, Jonckheer, Lagendijk, Lambert, Lannoye, Lipietz, Lucas, MacCormick, McKenna, Maes, Mayol i Raynal, Nogueira Román, Onesta, Piétrasanta, Rod, de Roo, Rühle, Schörling, Schroedter, Sørensen, Turmes, Voggenhuber, Wuori, Wyn

Against: 240

EDD: Abitbol, Belder, Blokland, Booth, Coûteaux, van Dam, Farage, Kuntz, Titford

ELDR: Andreasen, André-Léonard, Attwooll, Busk, Calò, Clegg, De Clercq, Duff, Fleisch, Formentini, Gasòliba i Böhm, Huhne, Jensen, Ludford, Maaten, Malmström, Manders, Martelli, Mulder, Newton Dunn, Nordmann, Olsson, Paulsen, Pesälä, Plooij-van Gorsel, Pohjamo, Procacci, Ries, Riis-Jørgensen, Sbarbati, Schmidt, Sterckx, Sørensen, Väyrynen, Van Hecke, Wallis, Watson

NI: Berthu, Beysen, de La Perriere, Souchet, Varaut

PPE-DE: Almeida Garrett, Arvidsson, Atkins, Averoff, Avilés Perea, Ayuso González, Balfe, Bartolozzi, Bastos, Bayona de Perogordo, Beazley, Bébéar, Berend, Böge, Bourlanges, Bowis, Bradbourn, Bremmer, Brok, Bushill-Matthews, Callanan, Camisón Asensio, Cardoso, Cederschiöld, Chichester, Cocilovo, Coelho, Cornillet, Corrie, Costa Raffaele, Daul, Deprez, De Sarnez, Descamps, De Veyrac, Dover, Elles, Evans Jonathan, Fatuzzo, Ferber, Fernández Martín, Ferrer, Fiori, Florenz, Folias, Foster, Fourtou, Friedrich, Gahler, Galeote Quecedo, García-Margallo y Marfil, García-Orcoyen Tormo, Gargani, Garriga Polledo, Gawronski, Gemelli, Gil-Robles Gil-Delgado, Glase, Goepel, Gomolka, Goodwill, Gouveia, Grönfeldt Bergman, Grossetête, Gutiérrez-Cortines, Hannan, Hansenne, Hatzidakis, Heaton-Harris, Helmer, Hermange, Hernández Mollar, Herranz García, Hieronymi, Hortefeux, Jarzembowski, Jeggle, Kastler, Keppelhoff-Wiechert, Khanbhai, Kirkhope, Klamt, Knolle, Koch, Konrad, Kratsa-Tsagaropoulou, Lamassoure, Langen, Langenhagen, Laschet, Lechner, Liese, Lisi, Maat, McCartin, Mann Thomas, Marinos, Marques, Martens, Martin Hugues, Mastella, Matikainen-Kallström, Mayer Hans-Peter, Mayer Xaver, Méndez de Vigo, Menrad, Mombaur, Montfort, Morillon, Musotto, Naranjo Escobar, Nassauer, Nicholson, Niebler, Nisticò, Oomen-Ruijten, Pacheco Pereira, Pack, Parish, Pastorelli, Pérez Álvarez, Perry, Pex, Piscarreta, Podestà, Poettering, Pomés Ruiz, Posselt, Pronk, Purvis, Quisthoudt-Rowohl, Radwan, Redondo Jiménez, Ripoll y Martínez de Bedoya, Rovsing, Salafranca Sánchez-Neyra, Santini, Sartori, Schaffner, Schleicher, Schmitt, Schnellhardt, Schwaiger, Smet, Sommer, Stenmarck, Stevenson, Stockton, Sturdy, Sudre, Sumberg, Suominen, Tajani, Tannock, Theato, Thyssen, Twinn, Valdivielso de Cué, Van Orden, Varela Suanzes-Carpegna, van Velzen, de Veyrinas, Vidal-Quadras Roca, Villiers, Vlasto, Wenzel-Perillo, von Wogau, Wuermeling, Zabell, Zacharakis, Zappalà, Zimmerling, Zissener

PSE: Dehousse, Ferreira

UEN: Berlato, Camre, Caullery, Marchiani, Mussa, Musumeci, Nobilia, Pasqua, Poli Bortone, Queiró, Ribeiro e Castro, Segni, Thomas-Mauro, Turchi

Abstention: 2

ELDR: van den Bos

PSE: Wynn

Tuesday 13 January 2004

Seppänen report A5-0441/2003**Amendment 30****For: 299**

EDD: Abitbol, Andersen, Belder, Blokland, Bonde, Coûteaux, van Dam, Kuntz, Sandbæk

ELDR: Andreassen, Attwooll, Boogerd-Quaak, van den Bos, Busk, Calò, Clegg, De Clercq, Duff, Dybkjær, Flesch, Formentini, Gasòliba i Böhm, Huhne, Jensen, Ludford, Lynne, Maaten, Malmström, Manders, Martelli, Monsonís Domingo, Mulder, Newton Dunn, Olsson, Paulsen, Pesälä, Plooij-van Gorsel, Pohjamo, Procacci, Ries, Riis-Jørgensen, Sbarbati, Schmidt, Sterckx, Sørensen, Väyrynen, Vallvé, Van Hecke, Wallis, Watson

GUE/NGL: Bakopoulos, Bergaz Conesa, Bertinotti, Blak, Brie, Di Lello Finuoli, Fiebiger, Figueiredo, Frahm, Fraisse, Jové Peres, Kaufmann, Koulourianos, Krarup, Krivine, Manisco, Markov, Marset Campos, Meijer, Modrow, Morgantini, Puerta, Schmid Herman, Schröder Ilka, Seppänen, Sjöstedt, Uca, Vachetta, Vinci

NI: Bonino, Borghezio, Cappato, Della Vedova, Dupuis, Gobbo, Gorostiaga Atxalandabaso, Hager, Kronberger, Pannella, Speroni, Turco

PPE-DE: Banotti, Bodrato, Bremmer, Cocilovo, Cushnahan, Dimitrakopoulos, Doyle, Ebner, Fiori, Flemming, Karas, Pirker, Rack, Rübig, Sacrédeus, Santer, Scallon, Schierhuber, Stenzel, Trakatellis, van Velzen, Wijkman

PSE: Andersson, Aparicio Sánchez, Baltas, Barón Crespo, Berenguer Fuster, Berès, van den Berg, Berger, Bösch, Bowe, Campos, Carlotti, Carnero González, Carraro, Casaca, Cercas, Cerdeira Morterero, Ceyhun, Colom i Naval, Corbett, Corbey, Darras, De Keyser, De Rossa, Díez González, Dührkop Dührkop, Duhamel, Duin, El Khadraoui, Ettl, Evans Robert J.E., Färm, Fava, Ford, Garot, Gebhardt, Gill, Gillig, Görlach, Gröner, Guy-Quint, Hänsch, Haug, Hazan, Hedkvist Petersen, Honeyball, Howitt, Hughes, van Hulten, Hume, Iivari, Izquierdo Collado, Izquierdo Rojo, Jöns, Karamanou, Karlsson, Katiforis, Kindermann, Kinnock, Koukiadis, Krehl, Kreissl-Dörfler, Kuckelkorn, Lage, Lalumière, Lange, Leinen, Lund, McAvan, McNally, Malliori, Marinho, Martin Hans-Peter, Martínez Martínez, Mastorakis, Medina Ortega, Mendiluce Pereiro, Menéndez del Valle, Miguélez Ramos, Miller, Miranda de Lage, Moraes, Morgan, Müller, Murphy, Myller, Napoletano, O'Toole, Paasilinna, Paciotti, Patrie, Pérez Royo, Piecyk, Poignant, Prets, Rapkay, Read, Rocard, Roth-Behrendt, Roure, Sacconi, Sandberg-Fries, dos Santos, Sauquillo Pérez del Arco, Savary, Scheele, Schmid Gerhard, Simpson, Skinner, Soares, Sornosa Martínez, Souladakis, Sousa Pinto, Stockmann, Swibel, Swoboda, Terrón i Cusí, Theorin, Thorning-Schmidt, Torres Marques, Vairinhos, Valenciano Martínez-Orozco, Volcic, Watts, Weiler, Whitehead, Wiersma, Zimeray, Zorba, Zrihen

UEN: Andrews, Berlato, Camre, Caullery, Fitzsimons, Hyland, Marchiani, Mussa, Musumeci, Nobilia, Pasqua, Poli Bortone, Queiró, Ribeiro e Castro, Segni, Thomas-Mauro, Turchi

Verts/ALE: Aaltonen, Ahern, Auroi, Boumediene-Thiery, Bouwman, Breyer, Buitenweg, Celli, Dhaene, Echerer, Evans Jillian, Flautre, Gahrton, Graefe zu Baringdorf, Hudghton, Isler Béguin, Jonckheer, Lagendijk, Lambert, Lannoye, Lipietz, Lucas, MacCormick, McKenna, Maes, Mayol i Raynal, Nogueira Román, Onesta, Piétrasanta, Rod, de Roo, Rühle, Schörling, Schroedter, Sörensen, Turmes, Voggenhuber, Wuori, Wyn

Against: 212

EDD: Bernié, Booth, Butel, Esclopé, Farage, Mathieu, Saint-Josse, Titford

ELDR: André-Léonard, Nordmann

GUE/NGL: Ainardi, Boudjenah, Caudron, Scarbonchi, Wurtz

NI: Berthu, Beysen, Claeys, Dillen, Garaud, de Gaulle, Gollnisch, Lang, de La Perriere, Martinez, Souchet, Varaut

PPE-DE: Almeida Garrett, Arvidsson, Atkins, Averoff, Avilés Perea, Ayuso González, Balfé, Bartolozzi, Bastos, Bayona de Perogordo, Beazley, Bébéar, Berend, Böge, Bourlanges, Bowis, Bradbourn, Brok, Bushill-Matthews, Callanan, Camisón Asensio, Cardoso, Cederschiöld, Chichester, Coelho, Cornillet, Corrie, Costa Raffaele, Daul, Deprez, De Sarnez, Descamps, De Veyrac, Dover, Elles, Evans Jonathan, Fatuzzo, Ferber, Fernández Martín, Ferrer, Florenz, Folias, Foster, Fourtou, Friedrich, Gahler, Galeote Quecedo, García-Margallo y Marfil, García-Orcoyen Tormo, Gargani, Garriga Polledo, Gawronski, Gemelli, Gil-Robles Gil-

Tuesday 13 January 2004

Delgado, Glase, Goepel, Gomolka, Goodwill, Gouveia, Grönfeldt Bergman, Grossetête, Gutiérrez-Cortines, Hannan, Hansenne, Harbour, Hatzidakis, Heaton-Harris, Helmer, Hermange, Hernández Mollar, Herranz García, Hieronymi, Hortefeux, Inglewood, Jarzembowski, Jeggle, Kastler, Keppelhoff-Wiechert, Khanbhai, Kirkhope, Klamt, Knolle, Koch, Konrad, Korhola, Kratsa-Tsagaropoulou, Lamassoure, Langen, Langenhagen, Laschet, Lechner, Lehne, Liese, Lisi, Lulling, Maat, McCartin, Mann Thomas, Marinos, Marques, Martens, Martin Hugues, Mastella, Matikainen-Kallström, Mayer Hans-Peter, Mayer Xaver, Méndez de Vigo, Menrad, Mombaur, Montfort, Morillon, Musotto, Naranjo Escobar, Nassauer, Nicholson, Niebler, Nisticò, Oomen-Ruijten, Pacheco Pereira, Pack, Parish, Pastorelli, Pérez Álvarez, Perry, Pex, Piscarreta, Podestà, Poettering, Pomés Ruiz, Posselt, Pronk, Purvis, Quisthoudt-Rowohl, Radwan, Redondo Jiménez, Ripoll y Martínez de Bedoya, Rovsing, Salafranca Sánchez-Neyra, Santini, Sartori, Schaffner, Schleicher, Schmitt, Schnellhardt, Schwaiger, Smet, Sommer, Stenmarck, Stevenson, Stockton, Sturdy, Sudre, Sumberg, Suominen, Tajani, Tannock, Theato, Twinn, Valdivielso de Cué, Van Orden, Varela Suanzes-Carpegna, de Veyrinas, Vidal-Quadras Roca, Villiers, Vlasto, Wenzel-Perillo, von Wogau, Wuermeling, Zabell, Zacharakis, Zappalà, Zimmerling, Zissener

PSE: Désir, Fruteau, Goebbels, Junker, Keßler, Kuhne, Linkohr, Mann Erika, Rothe, Sakellariou, Titley, Walter

Abstention: 11

GUE/NGL: Bordes, Cauquil, Korakas, Laguiller, Patakis

PPE-DE: Thyssen

PSE: Bullmann, Dehousse, Ferreira, Poos, Wynn

Breyer report A5-0443/2003

Amendment 19

For: 71

EDD: Sandbæk

ELDR: Boogerd-Quaak, van den Bos, Dybkjær, Ries

GUE/NGL: Fraisse, Meijer, Morgantini

NI: Hager, Kronberger

PPE-DE: Banotti, Cushnahan, Doyle, Flemming, Hannan, Karas, Pirker, Rübzig, Sacrédeus, Scallon, Stenzel

PSE: Andersson, van den Berg, Berger, Bullmann, Duin, Ettl, Gebhardt, Hume, Keßler, Kreissl-Dörfler, Kuhne, Lange, Marinho, Müller, Prets, Swoboda, Thorning-Schmidt

Verts/ALE: Aaltonen, Ahern, Auroi, Boumediene-Thiery, Breyer, Buitenweg, Celli, Cohn-Bendit, Dhaene, Echerer, Evans Jillian, Flautre, Frassoni, Gahrton, Graefe zu Baringdorf, Isler Béguin, Lagendijk, Lambert, Lannoye, Lipietz, Lucas, MacCormick, Maes, Mayol i Raynal, Nogueira Román, Onesta, Piétrasanta, Rod, de Roo, Rühle, Schörling, Turmes, Wuori

Against: 235

EDD: Abitbol, Belder, Blokland, Coûteaux, van Dam, Kuntz

ELDR: Andreasen, André-Léonard, Busk, Calò, Clegg, De Clercq, Duff, Flesch, Gasòliba i Böhm, Huhne, Jensen, Ludford, Malmström, Martelli, Monsonís Domingo, Mulder, Newton Dunn, Nordmann, Olsson, Paulsen, Pesälä, Plooi-j-van Gorsel, Pohjamo, Procacci, Riis-Jørgensen, Sbarbati, Schmidt, Sørensen, Thors, Väyrynen, Vallvé, Van Hecke, Wallis, Watson

GUE/NGL: Bergaz Conesa, Blak, Boudjenah, Caudron, Kaufmann, Koulourianos, Marsed Campos, Modrow, Nair, Puerta, Scarbonchi, Sjöstedt, Wurtz

NI: Berthu, Beysen, Borghezio, Claeys, Garaud, Gobbo, Gollnisch, Gorostiaga Atxalandabaso, Lang, de La Perriere, Martinez, Souchet

Tuesday 13 January 2004

PPE-DE: Almeida Garrett, Arvidsson, Atkins, Averoff, Avilés Perea, Bartolozzi, Bayona de Perogordo, Beazley, Berend, Bodrato, Bourlanges, Bradbourn, Brok, Camisón Asensio, Coelho, Deprez, Descamps, De Veyrac, Dover, Elles, Fatuzzo, Ferber, Ferrer, Fiori, Folias, Fourtou, Gahler, Gargani, Garriga Polledo, Gemelli, Gil-Robles Gil-Delgado, Glase, Goepel, Gomolka, Gouveia, Grönfeldt Bergman, Grosch, Grossetête, Gutiérrez-Cortines, Helmer, Hernández Mollar, Jarzembowski, Klamt, Knolle, Koch, Korhola, Lamassoure, Langen, Laschet, Liese, Lisi, McCartin, Marinos, Marques, Martin Hugues, Mastella, Matikainen-Kallström, Mayer Hans-Peter, Mayer Xaver, Menrad, Mombaur, Morillon, Musotto, Niebler, Pack, Perry, Pex, Podestà, Poettering, Posselt, Purvis, Radwan, Redondo Jiménez, Rovsing, Salafranca Sánchez-Neyra, Santini, Sartori, Schleicher, Schmitt, Schnellhardt, Smet, Sommer, Stenmarck, Sudre, Suominen, Tannock, Theato, Thyssen, Trakatellis, Twinn, Valdivielso de Cué, van Velzen, de Veyrinas, Wenzel-Perillo, von Wogau, Zacharakis, Zissener

PSE: Aparicio Sánchez, Baltas, Barón Crespo, Berès, Campos, Cercas, Colom i Naval, Corbett, Darras, Dehousse, De Rossa, Ferreira, Gill, Gillig, Goebbels, Gröner, Guy-Quint, Hänsch, Honeyball, Howitt, Iivari, Izquierdo Collado, Izquierdo Rojo, Junker, Karamanou, Karlsson, Katiforis, Kindermann, Kinnock, Koukiadis, Kuckelkorn, Lage, Lalumière, Linkohr, McAvan, McNally, Malliori, Mann Erika, Martínez Martínez, Mastorakis, Medina Ortega, Menéndez del Valle, Miranda de Lage, Murphy, Paasilinna, Paciotti, Patrie, Poignant, Poos, Rapkay, Rocard, Sacconi, Savary, Simpson, Soares, Sornosa Martínez, Souladakis, Terrón i Cusí, Titley, Torres Marques, Vairinhos, Volcic, Whitehead, Wiersma, Wynn

UEN: Camre, Marchiani, Mussa, Nobilia, Pasqua, Poli Bortone, Queiró, Thomas-Mauro

Abstention: 11

GUE/NGL: Korakas, Patakis

NI: Cappato, Della Vedova, Dupuis

PPE-DE: Santer, Stockton

PSE: Färm, Moraes, Morgan, Napoletano

Pesälä report A5-0463/2003

Resolution

For: 417

EDD: Abitbol, Andersen, Belder, Blokland, Coûteaux, van Dam, Sandbæk

ELDR: Andreasen, André-Léonard, Attwooll, Boogerd-Quaak, van den Bos, Busk, Calò, Clegg, De Clercq, Duff, Dybkjær, Flesch, Formentini, Gasòliba i Böhm, Huhne, Jensen, Ludford, Lynne, Maaten, Malmström, Martelli, Monsonís Domingo, Mulder, Newton Dunn, Nordmann, Olsson, Paulsen, Pesälä, Plooij-van Gorsel, Pohjamo, Procacci, Ries, Riis-Jørgensen, Sbarbati, Schmidt, Sterckx, Sørensen, Thors, Väyrynen, Vallvé, Van Hecke, Wallis, Watson

GUE/NGL: Ainardi, Bakopoulos, Bergaz Conesa, Bertinotti, Blak, Bordes, Boudjenah, Brie, Caudron, Cauquil, Di Lello Finuoli, Figueiredo, Fraisse, Jové Peres, Kaufmann, Koulourianos, Krivine, Laguiller, Manisco, Maset Campos, Meijer, Modrow, Morgantini, Nair, Patakis, Puerta, Scarbonchi, Schmid Herman, Seppänen, Sjöstedt, Uca, Vachetta, Vinci, Wurtz

NI: Berthu, Beysen, Borghezio, Claeys, Garaud, Gobbo, Gorostiaga Atxalandabaso, Hager, Kronberger, Lang, de La Perriere, Martinez, Souchet

PPE-DE: Almeida Garrett, Arvidsson, Averoff, Avilés Perea, Ayuso González, Banotti, Bartolozzi, Bastos, Bayona de Perogordo, Bébéar, Berend, Bodrato, Bourlanges, Bremmer, Brok, Camisón Asensio, Cardoso, Cederschiöld, Cocilovo, Coelho, Cornillet, Costa Raffaele, Cushnahan, Deprez, Descamps, De Veyrac, Dimitrakopoulos, Doyle, Elles, Fatuzzo, Ferber, Ferrer, Fiori, Flemming, Florenz, Folias, Fourtou, Gahler, Galeote Quecedo, Gargani, Garriga Polledo, Gemelli, Gil-Robles Gil-Delgado, Glase, Goepel, Gomolka, Gouveia, Grönfeldt Bergman, Grosch, Grossetête, Hernández Mollar, Herranz García, Jarzembowski, Jegghe, Kastler, Keppelhoff-Wiechert, Klamt, Knolle, Koch, Konrad, Korhola, Lamassoure, Langen, Laschet, Lehne, Liese, Lisi, Lulling, Maat, Mann Thomas, Marinos, Marques, Martens, Martin Hugues, Mastella, Matikainen-Kallström, Mayer Hans-Peter, Mayer Xaver, Méndez de Vigo, Menrad, Mombaur, Montfort, Morillon, Musotto, Nassauer, Niebler, Oomen-Ruijten, Pack, Pastorelli, Pérez Álvarez, Pex, Pirker, Piscarreta, Podestà, Poettering, Pomés Ruiz, Posselt, Pronk, Purvis, Rack, Radwan, Redondo Jiménez,

Tuesday 13 January 2004

Ripoll y Martínez de Bedoya, Rovsing, Rübig, Sacrédeus, Salafranca Sánchez-Neyra, Santer, Santini, Sartori, Schierhuber, Schleicher, Schmitt, Schnellhardt, Schwaiger, Smet, Sommer, Stenmarck, Stenzel, Stockton, Sturdy, Sudre, Suominen, Tajani, Theato, Thyssen, Trakatellis, Valdivielso de Cué, Varela Suanzes-Carpegna, van Velzen, de Veyrinas, Vlasto, Wenzel-Perillo, Wijkman, von Wogau, Wuermeling, Zacharakis, Zappalà, Zimmerling, Zissener

PSE: Andersson, Aparicio Sánchez, Baltas, Barón Crespo, Berenguer Fuster, Berès, van den Berg, Berger, Bösch, Bullmann, Campos, Carlotti, Carraro, Casaca, Cercas, Ceyhun, Colom i Naval, Corbett, Corbey, Darras, Dehousse, De Keyser, De Rossa, Désir, Díez González, El Khadraoui, Ettl, Evans Robert J.E., Färm, Fava, Ferreira, Fruteau, Garot, Gebhardt, Gill, Gillig, Goebbels, Görlach, Gröner, Guy-Quint, Hänsch, Haug, Hazan, Hedkvist Petersen, Honeyball, Howitt, Hughes, Hume, Iivari, Izquierdo Collado, Izquierdo Rojo, Junker, Karamanou, Karlsson, Katiforis, Keßler, Kindermann, Kinnock, Koukiadis, Krehl, Kreissl-Dörfler, Kuckelkorn, Kuhne, Lage, Lalumière, Lavarra, Leinen, Linkohr, Lund, McAvan, McNally, Malliori, Mann Erika, Marinho, Martínez Martínez, Mastorakis, Medina Ortega, Menéndez del Valle, Miguélez Ramos, Miller, Miranda de Lage, Moraes, Müller, Murphy, Napoletano, O'Toole, Paasilinna, Paciotti, Patrie, Pittella, Poignant, Poes, Prets, Rapkay, Read, Rocard, Rothe, Roure, Sacconi, Sakellariou, Sandberg-Fries, dos Santos, Sauquillo Pérez del Arco, Savary, Scheele, Schmid Gerhard, Schulz, Simpson, Soares, Sornosa Martínez, Souladakis, Sousa Pinto, Stockmann, Swiebel, Swoboda, Terrón i Cusí, Theorin, Titley, Torres Marques, Vairinhos, Volcic, Watts, Weiler, Whitehead, Wiersma, Wynn, Zorba, Zrihen

UEN: Berlato, Camre, Crowley, Fitzsimons, Marchiani, Mussa, Musumeci, Nobilia, Pasqua, Poli Bortone, Queiró, Ribeiro e Castro, Segni, Thomas-Mauro, Turchi

Verts/ALE: Aaltonen, Ahern, Auroi, Boumediene-Thiery, Breyer, Buitenweg, Celli, Dhaene, Echerer, Evans Jillian, Flautre, Frassoni, Gahrton, Graefe zu Baringdorf, Hudghton, Isler Béguin, Lagendijk, Lambert, Lannoye, Lipietz, Lucas, McCormick, McKenna, Maes, Mayol i Raynal, Nogueira Román, Onesta, Piétrasanta, Rod, de Roo, Rühle, Schörling, Sörensen, Turmes, Voggenhuber, Wuori, Wyn

Against: 4

EDD: Booth, Farage, Titford

NI: Gollnisch

Abstention: 22

NI: Cappato, Dupuis

PPE-DE: Atkins, Beazley, Bradbourn, Chichester, Corrie, Dover, Ebner, Evans Jonathan, Hannan, Harbour, Helmer, Inglewood, Khanbhai, Kirkhope, Perry, Scallan, Stevenson, Tannock, Twinn, Van Orden

Tuesday 13 January 2004

TEXTS ADOPTED**P5_TA(2004)0001****Plant variety rights ***

European Parliament legislative resolution on the proposal for a Council regulation amending Regulation (EC) No 2100/94 on Community plant variety rights (COM(2003) 456 — C5-0573/2003 — 2003/0161(CNS))

(Consultation procedure)

The European Parliament,

- having regard to the Commission proposal to the Council (COM(2003) 456) ⁽¹⁾,
 - having regard to Article 308 of the EC Treaty, pursuant to which the Council consulted Parliament (C5-0573/2003),
 - having regard to Rules 67 and 158(1) of its Rules of Procedure,
 - having regard to the report of the Committee on Agriculture and Rural Development (A5-0482/2003),
1. Approves the Commission proposal;
 2. Calls on the Council to notify Parliament if it intends to depart from the text approved by Parliament;
 3. Asks the Council to consult Parliament again if it intends to amend the Commission proposal substantially;
 4. Instructs its President to forward its position to the Council and Commission.

⁽¹⁾ Not yet published in OJ.

P5_TA(2004)0002**Controls on fishing for certain highly migratory fish ***

European Parliament legislative resolution on the amended proposal for a Council Regulation amending Regulation (EC) No 1936/2001 of 27 September 2001 laying down control measures applicable to fishing for certain stocks of highly migratory fish (COM(2002) 421 — C5-0406/2002 — COM(2003) 417 — C5-0479/2003 — 2002/0186(CNS))

(Consultation procedure)

The European Parliament,

- having regard to the Commission proposal to the Council (COM(2002) 421) ⁽¹⁾ and the amended proposal (COM(2003) 417) ⁽²⁾,
- having regard to Article 37 of the EC Treaty, pursuant to which the Council consulted Parliament (C5-0479/2003),

⁽¹⁾ OJ C 291 E, 26.11.2002, p. 212.

⁽²⁾ Not yet published in OJ.

Tuesday 13 January 2004

- having regard to Rule 67 of its Rules of Procedure,
 - having regard to the report of the Committee on Fisheries (A5-0438/2003),
1. Approves the Commission proposal as amended;
 2. Calls on the Commission to alter its proposal accordingly, pursuant to Article 250(2) of the EC Treaty;
 3. Calls on the Council to notify Parliament if it intends to depart from the text approved by Parliament;
 4. Asks the Council to consult Parliament again if it intends to amend the Commission proposal substantially;
 5. Instructs its President to forward its position to the Council and the Commission.

TEXT PROPOSED
BY THE COMMISSION

AMENDMENTS
BY PARLIAMENT

Amendment 1

ARTICLE 1, PARAGRAPH 10
Article 21a (Regulation (EC) No 1936/2001)

Article 18 shall apply mutatis mutandis.

Articles 18 and 19 shall apply mutatis mutandis.

P5_TA(2004)0003

Technical conservation measures for certain highly migratory species *

European Parliament legislative resolution on the amended proposal for a Council Regulation amending Regulation (EC) No 973/2001 laying down certain technical measures for the conservation of certain stocks of highly migratory species (COM(2002) 420 — C5-0407/2002 — COM(2003) 421 — C5-0429/2003 — 2002/0189(CNS))

(Consultation procedure)

The European Parliament,

- having regard to the Commission proposal to the Council (COM(2002) 420)⁽¹⁾ and the amended proposal (COM(2003) 421)⁽²⁾,
 - having regard to Article 37 of the EC Treaty, pursuant to which the Council consulted Parliament (C5-0407/2002 — C5-0429/2003),
 - having regard to Rule 67 of its Rules of Procedure,
 - having regard to the report of the Committee on Fisheries (A5-0439/2003),
1. Approves the Commission proposal as amended;

⁽¹⁾ OJ C 291 E, 26.11.2002, p. 210.

⁽²⁾ Not yet published in OJ.

Tuesday 13 January 2004

2. Calls on the Commission to alter its proposal accordingly, pursuant to Article 250(2) of the EC Treaty;
3. Calls on the Council to notify Parliament if it intends to depart from the text approved by Parliament;
4. Asks the Council to consult Parliament again if it intends to amend the Commission proposal substantially;
5. Instructs its President to forward its position to the Council and the Commission.

TEXT PROPOSED
BY THE COMMISSION

AMENDMENTS
BY PARLIAMENT

Amendment 1

ARTICLE 1, PARAGRAPH 6a (new)
Article 11 (Regulation (EC) No 973/2001)

6a. Article 11 is replaced by:

'Article 11

Monofilament streamer lines on swivels shall be used, so as to ensure that live blue marlins and white marlins may be easily released.

P5_TA(2004)0004

New narcotic and synthetic drugs *

European Parliament legislative resolution on the Commission proposal for a Council decision on the information exchange, risk-assessment and the control on new narcotic drugs and new synthetic drugs (COM(2003) 560 — C5-0516/2003 — 2003/0215(CNS))

(Consultation procedure)

The European Parliament,

- having regard to the Commission proposal to the Council (COM(2003) 560)⁽¹⁾,
- having regard to Articles 29 and 34(2)(c) of the EU Treaty,
- having regard to Article 39(1) of the EU Treaty, pursuant to which the Council consulted Parliament (C5-0516/2003),
- having regard to Rules 106 and 67 of its Rules of Procedure,
- having regard to the report of the Committee on Citizens' Freedoms and Rights, Justice and Home Affairs (A5-0483/2003),

⁽¹⁾ Not yet published in OJ.

Tuesday 13 January 2004

1. Approves the Commission proposal as amended;
2. Calls on the Commission to alter its proposal accordingly, pursuant to Article 250(2) of the EC Treaty;
3. Calls on the Council to notify Parliament if it intends to depart from the text approved by Parliament;
4. Asks the Council to consult Parliament again if it intends to amend the Commission proposal substantially;
5. Instructs its President to forward its position to the Council and the Commission.

TEXT PROPOSED
BY THE COMMISSION

AMENDMENTS
BY PARLIAMENT

Amendment 1

Article 3, point (c)

- | | |
|---|-----------------------|
| <p>(c) <i>'marketing authorisation': the permission to place on the market of a Member State either a medicinal product for human use as indicated in Title III of Directive 2001/83/EC of the European Parliament and of the Council, or a veterinary medicinal product as indicated in Title III of Directive 2001/82/EC of the European Parliament and of the Council.</i></p> | <p>Deleted</p> |
|---|-----------------------|

Amendment 2

Article 3, point (e)

- | | |
|---|-----------------------|
| <p>(e) <i>'preparation': a mixture containing either a new narcotic drug or a new synthetic drug.</i></p> | <p>Deleted</p> |
|---|-----------------------|

Amendment 3

Article 4, paragraph 2

- | | |
|---|-----------------------|
| <p>2. <i>Europol and the EMCDDA shall supplement the information on a new narcotic drug or a new synthetic drug or on a preparation containing a new narcotic drug or a new synthetic drug obtained from a Member State to the extent that the information available shall entail:</i></p> <p>(a) <i>a chemical and physical description, including the name under which the new narcotic drug or the new synthetic drug is known,</i></p> <p>(b) <i>information on the frequency, circumstances and/or quantities in which a new narcotic drug or new synthetic drug is encountered, and information on the means and methods of production of the new narcotic drug or the new synthetic drug,</i></p> <p>(c) <i>information on the involvement of organised crime in the production or trafficking of the new narcotic drug or the new synthetic drug,</i></p> | <p>Deleted</p> |
|---|-----------------------|

Tuesday 13 January 2004

TEXT PROPOSED
BY THE COMMISSIONAMENDMENTS
BY PARLIAMENT

- (d) *a first indication of the risks associated with the new narcotic drug or new synthetic drug, including health and the social risks,*
- (e) *information on whether or not the new narcotic drug or the new synthetic drug is currently under assessment, or has been under assessment by the UN-system,*
- (f) *the moment of notification of the new narcotic drug or the new synthetic drug to the EMCDDA or to Europol,*
- (g) *information on whether or not the new narcotic drug or the new synthetic drug is already subject to control measures at national level in a Member State.*
- (h) *As far as possible, information will be made available on:*
- (i) *the chemical precursors,*
- (ii) *the mode and scope of the established or expected use of the new synthetic drug or the new narcotic drug,*
- (iii) *other use of the new narcotic drug or new synthetic drug and the extent of such use, the risks associated with this use of the new narcotic drug or new synthetic drug, including the health and the social risks;*

Amendment 4

Article 4, paragraph 3, introduction

3. The EMEA shall submit to Europol and the EMCDDA supplementary information on whether in the European Union or in any Member State:

3. **Should Europol or the EMCDDA deem it necessary,** the EMEA shall submit to Europol and the EMCDDA supplementary information on whether in the European Union or in any Member State:

Amendment 5

Article 4, paragraph 4

4. **Member States are requested to deliver the information referred to under paragraphs (2) and (3) without unnecessary delay.**

Deleted

Amendment 6

Article 4, paragraph 5

5. *In case* Europol and the EMCDDA consider that the information provided by a Member State on a new narcotic drug or a new synthetic drug *would* not merit the further collection of information as described in paragraph (1), they will inform the notifying Member State *instantly hereof*, and the **risk assessment procedure** referred to in **Article 6** will not **apply**.

5. *Should* Europol and the EMCDDA consider that the information provided by a Member State on a new narcotic drug or a new synthetic drug *does* not merit the further collection of information as described in paragraph 1, they *shall immediately* inform the notifying Member State *thereof*, and the **Joint Report** referred to in **Article 5** shall not **be drawn up**.

Tuesday 13 January 2004

TEXT PROPOSED
BY THE COMMISSIONAMENDMENTS
BY PARLIAMENT

Europol and the EMCDDA *will explain* the decision taken in the annual report *as referred to* in Article 10.

Europol and the EMCDDA *shall justify* the decision taken in the annual report referred to in Article 10.

Amendment 7

Article 6, paragraph 1

1. ***The risks, including the health and social risks, caused by the use of, the production of, and traffic in, a new narcotic drug or a new synthetic drug, the involvement of organised crime and possible consequences of prohibition shall be assessed in accordance with the procedure set out in paragraphs 2 to 5, provided that more than half of the Member States have informed the Council in writing to be in favour of such an assessment.*** The Member States shall inform the Council as soon as possible, but in any case within thirty working days after the date of reception of the Joint Report.

1. ***On the basis of the Joint Report, the Member States shall decide as quickly as possible whether they are in favour of a risk assessment.*** The Member States shall inform the Council as soon as possible, but in any case within thirty working days after the date of receipt of the Joint Report.

Amendment 8

Article 6, paragraph 2

2. As soon as ***more than half*** of the Member States have informed the Council in writing *to be* in favour of a risk-assessment on a new narcotic drug or a new synthetic drug as indicated in paragraph (1), the Council shall alert the EMCDDA and Europol.

2. As soon as ***at least one third*** of the Member States have informed the Council in writing *that they are* in favour of a risk-assessment on a new narcotic drug or a new synthetic drug as indicated in paragraph 1, the Council shall alert the EMCDDA and Europol.

Amendment 9

Article 6, paragraph 5, subparagraph 2, points (b) to (g)

(b) ***the health risk associated with*** the new narcotic drug or the new synthetic drug,

(b) ***a description of the control measures to which*** the new narcotic drug or the new synthetic drug ***is subject in the Member States, where applicable,***

(c) ***the social risks associated with*** the new narcotic drug or the new synthetic drug,

(c) ***information on the assessment of*** the new narcotic drug or the new synthetic drug ***in the United Nations system,***

(d) information on the level of involvement of organised crime and information on seizures, and production of the new narcotic drug or the new synthetic drug,

(d) information on the level of involvement of organised crime and information on seizures and production of the new narcotic drug or the new synthetic drug,

(e) ***information on the assessment of*** the new narcotic drug or the new synthetic drug ***in the United Nations-system,***

(e) ***the health and social risks associated with*** the new narcotic drug or the new synthetic drug,

(f) ***a description of the control-measures to which the new narcotic drug or the new synthetic drug is submitted in the Member States, when applicable,***

(f) options for control and the possible consequences of prohibition.

(g) ***options for control and the possible consequences of prohibition.***

Tuesday 13 January 2004

TEXT PROPOSED
BY THE COMMISSIONAMENDMENTS
BY PARLIAMENT

Amendment 10

Article 7, paragraph 1

1. No risk-assessment shall be carried out **in case** the new narcotic drug or the new synthetic drug concerned is currently under assessment within the United Nations-system.

1. No risk assessment shall be carried out **where Europol and the EMCDDA have not drawn up a Joint Report.**

Nor shall a risk assessment be carried out where the new narcotic drug or the new synthetic drug concerned is currently under assessment within the United Nations system.

Amendment 11

Article 7, paragraph 3

3. **No risk-assessment shall be carried out on a new narcotic drug or a new synthetic drug in case it falls within one of the following categories:**

Deleted

- (a) **The new narcotic drug or the new synthetic drug is an 'authorised medicinal product' which is either a medicinal product intended for human use, that has been granted a marketing authorisation in one or more Member States or in the European Union in accordance with the provisions of Title III of Directive 2001/83/EC, or a veterinary medicinal product that has been granted a marketing authorisation in one or more Member States or in the European Union in accordance with the provisions of Title III of Directive 2001/82/EC; or,**
- (b) **The new narcotic drug or the new synthetic drug is a 'medicinal product under review', which is either a medicinal product intended for human use that is under examination in order to be granted a marketing authorisation in one or more Member States or in the European Union in accordance with the provisions of Title III of Directive 2001/83/EC, or a veterinary medicinal product that is under examination in order to be granted a marketing authorisation in one or more Member States or in the European Union in accordance with the provisions of Title III of Directive 2001/82/EC; or,**
- (c) **The new narcotic drug or the new synthetic drug is a 'suspended medicinal product', which is either a medicinal product intended for human use for which the marketing authorisation is suspended in one or more Member States or in the European Union, or a veterinary medicinal product for which the marketing authorisation is suspended in one or more Member States or in the European Union; or,**
- (d) **The new narcotic drug or the new synthetic drug is an 'exempted medicinal product', which is either a medicinal**

Tuesday 13 January 2004

TEXT PROPOSED
BY THE COMMISSIONAMENDMENTS
BY PARLIAMENT

product for human use, which is exempted from having a marketing authorisation as specified under Article 7 of Directive 2001/83/EC, or a veterinary medicinal product; which is exempted from having a marketing authorisation as specified in Article 8 of Directive 2001/82/EC.

In the case the new narcotic drug or the new synthetic drug falls into one of the categories listed under this paragraph, it will be referred to the EMEA for a scientific evaluation of the risks associated with the new narcotic drug or the new synthetic drug and to the Council in order to discuss public health related measures.

Amendment 12

Article 8, paragraph 1, subparagraph 2

If the Commission deems it not necessary to present an initiative to have the new narcotic drug or the new synthetic drug submitted to control measures, it shall within thirty working days from the date on which the Risk-Assessment Report has been received present a report to the Council explaining its views.

Deleted

Amendment 13

Article 8, paragraph 3

3. The procedure provided for by this Article shall take no longer than ninety working days from the date of **reception by the Council of the initiative** by the Commission to the date of adoption by the Council of the initiative by the Commission as referred to in paragraph 2.

3. The procedure provided for by this Article shall take no longer than ninety working days from the date of **receipt of the risk assessment report** by the Commission to the date of adoption by the Council of the initiative by the Commission as referred to in paragraph 2.

Amendment 14

Article 9, paragraph 1, introduction

1. If the Council decides to submit a new narcotic drug or a new synthetic drug to measures of control, Member States shall take within **one year** the necessary measures in accordance with their national law to submit:

1. If the Council decides to submit a new narcotic drug or a new synthetic drug to measures of control, Member States shall take within **ten months** the necessary measures in accordance with their national law to submit:

Amendment 15

Article 9, paragraph 2

2. Member States shall report the measures taken to **both** the Council and the Commission.

2. Member States shall report the measures taken to **the European Parliament**, the Council and the Commission **immediately after the relevant decision has been taken.**

Tuesday 13 January 2004

TEXT PROPOSED
BY THE COMMISSIONAMENDMENTS
BY PARLIAMENT

Amendment 16

Article 10

The EMCDDA and Europol shall report annually to the Council on the operation of this Decision. The report *will* take into account all aspects *relevant to judge* the efficacy and achievements of the system created by this Decision.

The EMCDDA and Europol shall report annually to **the European Parliament and** the Council on the operation of this Decision. The report *shall* take into account all aspects *required for an assessment of* the efficacy and achievements of the system created by this Decision.

Amendment 17

Article 10, paragraph 1a (new)

They shall, in particular, report on their experiences relating to coordination between the early-warning system and the pharmacovigilance system.

P5_TA(2004)0005

Convention against transnational organised crime *

European Parliament legislative resolution on the proposal for a Council decision on the conclusion, on behalf of the European Community, of the United Nations Convention Against Transnational Organised Crime (COM(2003) 512 — C5-0487/2003 —2003/0195(CNS))

(Consultation procedure)*The European Parliament,*

- having regard to the proposal for a Council decision (COM(2003) 512) ⁽¹⁾,
 - having regard to Articles 47, 55, 95, 135, 179 and 280 of the EC Treaty,
 - having regard to Article 300(2), first subparagraph, and Article 300(3), first subparagraph, of the EC Treaty, pursuant to which the Council consulted Parliament (C5-0487/2003),
 - having regard to Rules 67 and 97(7) of its Rules of Procedure,
 - having regard to the report of the Committee on Citizens' Freedoms and Rights, Justice and Home Affairs (A5-0485/2003),
1. Approves conclusion of the agreement;
 2. Instructs its President to forward its position to the Council and Commission, and the governments and parliaments of the Member States.

⁽¹⁾ Not yet published in OJ.

Tuesday 13 January 2004

P5_TA(2004)0006

Convention against transnational organised crime (Protocol on migrants)*

European Parliament legislative resolution on the proposal for a Council decision on the conclusion, on behalf of the European Community, of the Protocol Against the Smuggling of Migrants by Land, Sea and Air, supplementing the United Nations Convention Against Transnational Organised Crime (COM(2003) 512 — C5-0488/2003 — 2003/0196(CNS))

(Consultation procedure)

The European Parliament,

- having regard to the proposal for a Council decision (COM(2003) 512) ⁽¹⁾,
 - having regard to Articles 62, point 2, and 63, point 3, of the EC Treaty,
 - having regard to Article 300(3), first subparagraph, of the EC Treaty, pursuant to which the Council consulted Parliament (C5-0488/2003),
 - having regard to Rules 67 and 97(7) of its Rules of Procedure,
 - having regard to the report of the Committee on Citizens' Freedoms and Rights, Justice and Home Affairs (A5-0485/2003),
1. Approves conclusion of the agreement;
 2. Instructs its President to forward its position to the Council and Commission, and the governments and parliaments of the Member States.

⁽¹⁾ Not yet published in OJ.

P5_TA(2004)0007

Convention against transnational organised crime (Protocol on trafficking in persons) *

European Parliament legislative resolution on the proposal for a Council decision on the conclusion, on behalf of the European Community, of the Protocol to Prevent, Suppress and Punish Trafficking in Persons, Especially Women And Children, supplementing the United Nations Convention Against Transnational Organised Crime (COM(2003) 512 — C5-0489/2003 — 2003/0197(CNS))

(Consultation procedure)

The European Parliament,

- having regard to the proposal for a Council decision (COM(2003) 512) ⁽¹⁾,
- having regard to Articles 62, point 2, and 63, point 3, of the EC Treaty,

⁽¹⁾ Not yet published in OJ.

Tuesday 13 January 2004

- having regard to Article 300(3), first subparagraph, of the EC Treaty, pursuant to which the Council consulted Parliament (C5-0489/2003),
 - having regard to Rules 67 and 97(7) of its Rules of Procedure,
 - having regard to the report of the Committee on Citizens' Freedoms and Rights, Justice and Home Affairs (A5-0485/2003),
1. Approves conclusion of the agreement;
 2. Instructs its President to forward its position to the Council and Commission, and the governments and parliaments of the Member States.

P5_TA(2004)0008

Enforcement of law against ship-source pollution *

European Parliament legislative resolution on the proposal for a Council framework decision to strengthen the criminal law framework for the enforcement of the law against ship-source pollution (COM(2003) 227 — C5-0244/2003 — 2003/0088(CNS))

(Consultation procedure)

The European Parliament,

- having regard to the Commission proposal to the Council (COM(2003) 227) ⁽¹⁾,
 - having regard to Articles 29, 31 and 34(2)(b) of the Treaty on European Union (C5-0244/2003),
 - having regard to Rule 67 of its Rules of Procedure,
 - having regard to the report of the Committee on Citizens' Freedoms and Rights, Justice and Home Affairs (A5-0373/2003),
1. Approves the Commission proposal as amended;
 2. Calls on the Commission to alter its proposal accordingly, pursuant to Article 250(2) of the EC Treaty;
 3. Calls on the Council to notify Parliament if it intends to depart from the text approved by Parliament;
 4. Asks the Council to consult Parliament again if it intends to amend the Commission proposal substantially;
 5. Instructs its President to forward its position to the Council and Commission.

TEXT PROPOSED
BY THE COMMISSION

AMENDMENTS
BY PARLIAMENT

Amendment 1

Article 3, paragraph 1, point (b)

- (b) where the offences caused **the death or serious injury of** persons; (b) where the offences caused **substantial damage to** persons;

⁽¹⁾ Not yet published in OJ.

Tuesday 13 January 2004

TEXT PROPOSED
BY THE COMMISSIONAMENDMENTS
BY PARLIAMENT

Amendment 2

Article 3, paragraph 1, point (d)

- | | |
|--|---|
| (d) where the offences caused substantial damage to animal or vegetable species or to parts of them. | (d) where the offences caused substantial damage to animal or vegetable species or to parts of them or to a protected habitat. |
|--|---|

P5_TA(2004)0009

Sanctions for pollution offences *I**

European Parliament legislative resolution on the proposal for a European Parliament and Council directive on ship-source pollution and on the introduction of sanctions, including criminal sanctions, for pollution offences (COM(2003) 92 — C5-0076/2003 — 2003/0037(COD))

(Codecision procedure: first reading)

The European Parliament,

- having regard to the Commission proposal to the European Parliament and the Council (COM(2003) 92) ⁽¹⁾,
- having regard to Article 251(2) of the EC Treaty and Article 80(2) of the EC Treaty, pursuant to which the Commission submitted the proposal to Parliament (C5-0076/2003),
- having regard to Rule 67 of its Rules of Procedure,
- having regard to the report of the Committee on Regional Policy, Transport and Tourism and the opinions of the Committee on Citizens' Freedoms and Rights, Justice and Home Affairs, the Committee on Legal Affairs and the Internal Market and the Committee on the Environment, Public Health and Consumer Policy (A5-0388/2003),

1. Approves the Commission proposal as amended;
2. Calls on the Commission to refer the matter to Parliament again if it intends to amend the proposal substantially or replace it with another text;
3. Instructs its President to forward its position to the Council and the Commission.

⁽¹⁾ Not yet published in OJ.

P5_TC1-COD(2003)0037

Position of the European Parliament adopted at first reading on 13 January 2004 with a view to the adoption of Directive 2004/.../EC of the European Parliament and of the Council on ship-source pollution and on the introduction of sanctions, including criminal sanctions, for pollution offences

THE EUROPEAN PARLIAMENT AND THE COUNCIL OF THE EUROPEAN UNION,

Having regard to the Treaty establishing the European Community, and in particular Article 80(2) thereof,

Tuesday 13 January 2004

Having regard to the proposal from the Commission ⁽¹⁾,

Having regard to the opinion of the European Economic and Social Committee ⁽²⁾,

Having regard to the opinion of the Committee of the Regions ⁽³⁾,

Acting in accordance with the procedure laid down in Article 251 of the Treaty ⁽⁴⁾,

Whereas:

- (1) The Community's maritime safety policy is aimed at a high level of safety and environmental protection and is based on the understanding that all parties involved in the transport of goods by sea have a responsibility for ensuring that ships used in Community waters comply with applicable rules and standards.
- (2) The material standards for ship-source pollution discharges in all Member States are based upon the Marpol 73/78 Convention; *however*, these rules are being ignored on a daily basis by **a very large number of** ships sailing in Community waters, without corrective action being taken.
- (3) **Many Community ports lack appropriate facilities for receiving and treating waste; in order to combat intentional pollution, the EU should undertake, by way of a European plan, to set up the necessary infrastructure for degassing and cleaning vessels in all Community ports, which should be capable of dealing with several major difficulties simultaneously.**
- (4) **In order to ensure that all Community ports have adequate facilities to receive ship-generated waste and cargo residues, Directive 2000/59/EC ⁽⁵⁾ should be fully enforced without further delay.**
- (5) The implementation of Marpol 73/78 shows discrepancies among Member States and there is thus a need to harmonise its implementation at Community level; in particular the practice of Member States relating to the imposition of sanctions for illegal discharges by ships shows significant differences.
- (6) **Many Member States have not fully satisfied the European Community's expectations with regard to maritime safety, in particular by delaying the application of existing directives and regulations.**
- (7) Measures of a dissuasive nature form an integral part of the Community's maritime safety policy, as they ensure a link between the responsibility of **each of** the parties involved in the transport of polluting goods by sea and their exposure to sanctions; in order to achieve effective protection of the environment, there is therefore a need for effective, dissuasive and proportionate sanctions.
- (8) Neither the international regime for the civil liability and compensation of oil pollution nor that relating to pollution by other hazardous or noxious substances provide sufficient dissuasive effects to discourage **each of** the parties involved in the transport of hazardous cargoes by sea from engaging in substandard practices; the required dissuasive effects can only be achieved through the introduction of sanctions of a penal nature, which apply to any person who causes or contributes to marine pollution deliberately or through gross negligence.
- (9) Legal persons should also be subject to sanctions throughout the Community, because breaches may be committed in the interest of legal persons or on their behalf.

⁽¹⁾ OJ C ...

⁽²⁾ OJ C 220, 16.9.2003, p. 72.

⁽³⁾ OJ C ...

⁽⁴⁾ Position of the European Parliament of 13 January 2004.

⁽⁵⁾ **Directive 2000/59/EC of the European Parliament and of the Council of 27 November 2000 on port reception facilities for ship-generated waste and cargo residues (OJ L 332, 28.12.2000, p. 81). Directive amended by Directive 2002/84/EC (OJ L 324, 29.11.2002, p. 53).**

Tuesday 13 January 2004

- (10) Measures of a penal nature are not related to the civil liability of the parties concerned and are thus not subject to any rules relating to the limitation or channelling of civil liabilities, nor do they limit the efficient compensation of victims of pollution incidents.
- (11) There is a need for **effective** cooperation among Member States to ensure that illegal discharges are detected in time and that the offenders are identified. **For this reason, the Commission should present as rapidly as possible a proposal for the creation of a common European coastguard.**
- (12) **In order to ensure that criminal sanctions against intentional pollution are effective, the port state control authorities should maintain registers of oil; each Member State must therefore introduce stringent legislation against any failure to maintain those registers and any entry of which the authenticity cannot be established, in order to prevent illegal discharges which are the source of most marine pollution.**
- (13) The Directive is in accordance with the principles of subsidiarity and proportionality as set out in Article 5 of the Treaty. The incorporation of the international ship-source pollution standards into Community law and the establishment of sanctions, including criminal *sanctions*, for violations of them is a necessary measure to achieve a high level of safety and environmental protection in maritime transport. This can be effectively achieved only by the Community by means of harmonised rules. The *Directive* does not go beyond what is necessary for that purpose.
- (14) **Those accused of pollution offences are entitled to a fair and independent hearing and any penalties imposed should be proportionate to the criminal offence.** The Directive *therefore* fully respects the Charter of *Fundamental Rights of the European Union* ⁽¹⁾ **and the provisions relating to justice contained therein,**

HAVE ADOPTED THIS DIRECTIVE:

Article 1

Purpose

The purpose of this Directive is to incorporate the international standards for ship-source pollution into Community law and to ensure that **each person** responsible for illegal discharges **is** subject to adequate sanctions, including criminal sanctions. The objective of the Directive is to improve maritime safety and to protect the marine environment from pollution by ships.

Article 2

Definitions

For the purpose of this Directive:

1. 'Marpol 73/78' shall mean the International Convention for the prevention of pollution from ships, 1973 and its 1978 Protocol, as amended ⁽²⁾;
2. 'Polluting substances' shall mean substances covered by Annexes I (oil) and II (noxious liquid substances in bulk) of Marpol 73/78;
3. 'Illegal discharges' shall mean discharges in violation of **Marpol 73/78**;

⁽¹⁾ **OJ C 364, 18.12.2000, p. 1.**

⁽²⁾ For reference purposes, a summary of the relevant Marpol 73/78 discharge rules relating to the discharge of oil and noxious liquid substances is provided in Annex I (Part I and Part II).

Tuesday 13 January 2004

4. 'Ship' shall mean a seagoing vessel, irrespective of its flag, of any type whatsoever operating in the marine environment and shall include hydrofoil boats, air-cushion vehicles, submersibles and floating craft;
5. 'Person' shall mean natural or legal person.
6. 'Legal person' shall mean any legal entity having such status under the applicable national law, except for States or any other public bodies acting in the exercise of their prerogative of public power, as well as public international organisations.

Article 3

Scope

1. This Directive shall apply to discharges of polluting substances in:
 - a) the internal waters, including ports, of a Member State;
 - b) the territorial sea of a Member State;
 - c) straits used for international navigation subject to the regime of transit passage, as laid down in Part III, section 2, of the 1982 United Nations Convention on the Law of the Sea, to the extent a Member State exercises jurisdiction over such straits;
 - d) the exclusive economic zone of a Member State, established in accordance with international law; and
 - e) the high seas.
2. ***However, this Directive shall apply to ships sailing under the flag of a Member State irrespective of the location in which the discharge occurred.***
3. This Directive shall apply to illegal discharges of any ship, irrespective of its flag, with the exception of any warship, naval auxiliary or other ship owned or operated by a State and used, for the time being, only on government non-commercial service.

Article 4

Enforcement Measures with respect to ships within a port of a Member State

1. If irregularities or information give rise to suspicion that a ship which is within a port or at an off-shore terminal of a Member State has engaged in an illegal discharge of polluting substances in any of the sea areas referred to in *Article 3(1)*, the Member State shall ensure that, ***in accordance with clear rules as to territorial and functional competence***, an appropriate examination is undertaken in accordance with its national law.
2. A non-exhaustive list of irregularities or information within the meaning of paragraph 1 is provided in Annex II.
3. As far as the examination referred to in paragraph 1 reveals facts that could constitute evidence on such an illegal discharge, the competent authorities in criminal matters shall be informed.
4. ***The provisions of this Article shall apply mutatis mutandis to ships sailing under the flag of a Member State irrespective of where the ship is located.***

Article 5

Enforcement with respect to ships in transit

If the suspected illegal discharge takes place in a sea area referred to in points (b), (c), (d) or (e) of *Article 3(1)* and the ship which is suspected of the discharge does not call at a port of the Member State holding the information relating to the suspected discharge, the following shall apply:

Tuesday 13 January 2004

- If the next port of call of the ship is another Member State, the Member States concerned shall cooperate closely in the examination referred to in *Article 4(1)* and in deciding on the **appropriate measures** in respect of any such discharge;
- If the next port of call of the ship is a port of a State outside the Community, the Member State shall take the necessary measures to ensure that the next port of call of the ship is informed about the suspected discharge and shall request the State of the next port of call to take the appropriate measures in respect of any such discharge.

Article 6

Enforcement coordination and inspection

1. *The European Maritime Safety Agency shall play a coordination role with regard to the enforcement of this Directive.*
2. *The European Maritime Safety Agency shall create an EU public online database on illegal discharges and ships which do not comply with this Directive.*

Article 7

Criminal offence and sanctions

1. Member States shall ensure that the illegal discharge of polluting substances, the participation in, **even by omission**, and instigation of such discharge **as well as technical manipulations of vessels to facilitate illegal discharges** are regarded as criminal offences, when committed intentionally or by gross negligence.
 2. Any person (i.e. not only the shipowner but also the owner of the cargo, the classification society, **the competent (port) authority** or any other person involved), who has been found by a court of law responsible within the meaning of paragraph 1, shall be subject to sanctions, including, where appropriate, criminal sanctions.
 3. The sanctions referred to in paragraph 2 shall be effective, proportionate and dissuasive.
 4. As concerns natural persons, criminal penalties shall be provided, including in the most serious cases, the deprivation of liberty, having regard to applicable international law.
 5. As regards natural and legal persons, the Member States shall provide for, inter alia, the following sanctions:
 - a) **appropriate** fines;
 - b) confiscation of the proceeds gained by the offences referred to in paragraph 1.
- In appropriate cases, Member States shall also provide for the following sanctions:
- c) a permanent or temporary ban on engaging in commercial activities;
 - d) placing under judicial supervision;
 - e) judicial winding-up;
 - f) a ban on access to public assistance or subsidies;
 - g) confiscation of the ship.**
6. Fines referred to in this article shall not be insurable.

Tuesday 13 January 2004

7. The Commission shall ensure that the directives and regulations on maritime safety are rigorously enforced in the Member States.

Article 8

Safeguards

Member States shall apply the provisions of this Directive without any discrimination in form or in fact among foreign ships and in accordance with applicable international law, including Section 7 of Part XII of the 1982 United Nations Convention on the Law of the Sea, and they shall promptly notify the flag State of the vessel and any other State concerned of measures taken in accordance with this Directive.

Article 9

Accompanying measures

Member States and the Commission shall cooperate, in close collaboration with the European Maritime Safety Agency and **taking account** of the action programme to respond to accidental or deliberate marine pollution as set up **pursuant to** Decision No 2850/2000/EC⁽¹⁾ **and of the implementation of Directive 2000/59/EC**, in order to:

- (a) develop the necessary information **and warning** systems required for the effective implementation of this Directive;
- (b) establish common practices and guidelines for, in particular:
 - the monitoring and early identification of ships discharging polluting substances in violation of this Directive, including, where appropriate, on-board monitoring equipment;
 - reliable methods of tracing polluting substances in the sea to a particular ship; and
 - the effective legal enforcement of this Directive;
- (c) **set a timetable for the installation of onboard monitoring equipment so as to ensure that the objectives of the Directive are achieved. The timetable shall be as follows:**
 - **1 July 2005 — Ships Carrying Hazardous Cargo of 3 000 tons gross tonnage and above**
 - **1 July 2006 — All Other Ships of 20 000 tons gross tonnage and above**
 - **1 July 2007 — All Other Ships of 10 000 tons gross tonnage and above**
 - **1 January 2008 — All Other Ships of 3 000 tons gross tonnage and above.**

Article 10

European coastguard

1. Not later than ...⁽²⁾ the Commission shall submit to the European Parliament and the Council a proposal for the creation of a European coastguard.

2. The task of the European coastguard shall be, inter alia, to carry out effective and unannounced checks on the high seas.

⁽¹⁾ Decision No 2850/2000/EC of the European Parliament and of the Council of 20 December 2000 setting up a Community framework for cooperation in the field of accidental or deliberate marine pollution (OJ L 332, 28.12.2000, p. 1).

⁽²⁾ **Six months after the entry into force of this Directive.**

Tuesday 13 January 2004

3. **The European coastguard shall enjoy all the necessary powers in order to take the measures required for the implementation of the provisions of this Directive, where there is a justified suspicion of a pollution offence.**

Article 11

Reporting

Every **two years**, Member States shall transmit a report to the Commission on the application by their courts and other relevant authorities of this Directive. Based on these reports, the Commission shall submit a Community report to the European Parliament and the Council. **In this report, the Commission shall assess, inter alia, the desirability of revising or extending the scope of this Directive.**

Article 12

Committee

1. The Commission shall be assisted by the Committee on Safe Seas and the Prevention of Pollution from Ships (COSS), created by Article 3 of Regulation (EC) No 2099/2002 of 5 November 2002 of the European Parliament and of the Council establishing a Committee on Safe Seas and the Prevention of Pollution from Ships (COSS)⁽¹⁾.

2. Where reference is made to this paragraph, Articles 5 and 7 of Council Decision 1999/468/EC of 28 June 1999 laying down the procedures for the exercise of implementing powers conferred on the Commission⁽²⁾ shall apply, having regard to the provisions of Article 8 thereof.

The period laid down in Article 5(6) of Decision 1999/468/EC shall be set at three months.

3. The Commission shall regularly inform the Committee set up by Decision No 2850/2000/EC of any proposed measures or other relevant activities concerning the response to marine pollution.

Article 13

Amendment procedure

1. The annexes of this Directive and the references to Marpol 73/78 may be amended in accordance with the procedure laid down in Article 12(2).

2. The amendments to the Marpol 73/78 referred to in paragraph 1 may be excluded from the scope of this Directive, pursuant to Article 5 of Regulation (EC) No 2099/2002.

Article 14

Implementation

1. Member States shall bring into force the laws, regulations and administrative provisions necessary to comply with this Directive not later than **twelve** months following the date of its entry into force and forthwith inform the Commission thereof.

2. When Member States adopt those provisions, they shall contain a reference to this Directive or be accompanied by such a reference on the occasion of their official publication. Member States shall determine how such reference is to be made.

⁽¹⁾ OJ L 324, 29.11.2002, p. 1.

⁽²⁾ OJ L 184, 17.7.1999, p. 23.

Tuesday 13 January 2004

Article 15

Entry into force

This Directive shall enter into force on the day following that of its publication in the Official Journal of the European Union.

Article 16

Addressees

This Directive is addressed to the Member States.

Done at ...

For the European Parliament
The President

For the Council
The President

ANNEX I

SUMMARY, FOR REFERENCE PURPOSES, OF THE MARPOL 73/78 DISCHARGE REGULATIONS RELATING TO DISCHARGES OF OIL AND NOXIOUS LIQUID SUBSTANCES, AS REFERRED TO IN ARTICLE 2(2)

Part I: Oil (Marpol 73/78, Annex I)

For the purposes of Marpol 73/78 Annex I, 'oil' means petroleum in any form including crude oil, fuel oil, sludge, oil refuse and refined products (other than petrochemicals which are subject to the provisions of Marpol 73/78 Annex II) and 'oily mixture' means a mixture with any oil content.

Excerpts of the relevant provisions of Marpol 73/78 Annex I:

Regulation 9: Control of discharge of oil

- (1) Subject to the provisions of regulations 10 and 11 of this Annex and paragraph (2) of this regulation, any discharge into the sea of oil or oily mixtures from ships to which this Annex applies shall be prohibited except when all the following conditions are satisfied:
 - (a) for an oil tanker, except as provided for in *subparagraph (b)*:
 - (i) the tanker is not within a special area;
 - (ii) the tanker is more than 50 nautical miles from the nearest land;
 - (iii) the tanker is proceeding en route;
 - (iv) the instantaneous rate of discharge of oil content does not exceed 30 litres per nautical mile;
 - (v) the total quantity of oil discharged into the sea does not exceed for existing tankers 1/15 000 of the total quantity of the particular cargo of which the residue formed a part, and for new tankers 1/30 000 of the total quantity of the particular cargo of which the residue formed a part; and
 - (vi) the tanker has in operation an oil discharge monitoring and control system and a slop tank arrangement as required by regulation 15 of this Annex.
 - (b) from a ship of 400 tons gross tonnage and above other than an oil tanker and from machinery space bilges excluding cargo pump-room bilges of an oil tanker unless mixed with oil cargo residue:
 - (i) the ship is not within a special area;
 - (ii) the ship is proceeding en route;

Tuesday 13 January 2004

- (iii) the oil content of the effluent without dilution does not exceed 15 parts per million; and
 - (iv) the ship has in operation [monitoring, control and filtering equipment] as required by regulation 16 of this Annex.
- (2) In the case of a ship of less than 400 tons gross tonnage other than an oil tanker whilst outside the special area, the [flag State] Administration shall ensure that it is equipped as far as practicable and reasonable with installations to ensure the storage of oil residues on board and their discharge to reception facilities or into the sea in compliance with the requirements of *paragraph (1)(b)*.
-
- (4) The provisions of paragraph (1) of this regulation shall not apply to the discharge of clean or segregated ballast or unprocessed oily mixtures which without dilution have an oil content not exceeding 15 parts per million and which do not originate from cargo pump-room bilges and are not mixed with oil cargo residues.
- (5) No discharge into the sea shall contain chemicals or other substances in quantities or concentrations which are hazardous to the marine environment or chemicals or other substances introduced for the purpose of circumventing the conditions of discharge specified in this regulation.
- (6) The oil residues which cannot be discharged into the sea in compliance with paragraphs (1), (2) and (4) shall be retained on board or discharged to reception facilities.

Regulation 10: Methods for the prevention of oil pollution from ships while operating in special areas

- (1) For the purpose of this Annex, the special areas are the Mediterranean Sea area, the Baltic Sea area, the Black Sea area, the Red Sea area, the 'Gulfs area', the Gulf of Aden area, the Antarctic area and the North- West European waters, [as further defined and specified]
- (2) Subject to the provisions of regulation 11 of this Annex:
- (a) Any discharge into the sea of oil or oily mixture from any oil tanker and any ship of 400 tons gross tonnage and above other than an oil tanker shall be prohibited while in a special area. [...]
 - (b) [...] Any discharge into the sea of oil or oily mixture from a ship of less than 400 tons gross tonnage, other than an oil tanker, shall be prohibited while in a special area, except when the oil content of the effluent without dilution does not exceed 15 parts per million.
- (3) (a) The provisions of paragraph (2) shall not apply to the discharge of clean or segregated ballast.
- (b) The provisions of subparagraph (2)(a) shall not apply to the discharge of processed bilge water from machinery spaces, provided that all of the following conditions are satisfied:
- (i) the bilge water does not originate from cargo pump-room bilges;
 - (ii) the bilge water is not mixed with oil cargo residues;
 - (iii) the ship is proceeding en route;
 - (iv) the oil content of the effluent without dilution does not exceed 15 parts per million;
 - (v) the ship has in operation oil filtering equipment complying with regulation 16(5) of this Annex; and
 - (vi) the filtering system is equipped with a stopping device which will ensure that the discharge is automatically stopped when the oil content of the effluent exceeds 15 parts per million.
- (4) (a) No discharge into the sea shall contain chemicals or other substances in quantities or concentrations which are hazardous to the marine environment or chemicals or other substances introduced for the purpose of circumventing the conditions of discharge specified in this regulation.
- (b) The oil residues which cannot be discharged into the sea in compliance with paragraph (2) or (3) shall be retained on board or discharged to reception facilities.

Tuesday 13 January 2004

- (5) Nothing in this regulation shall prohibit a ship on a voyage only part of which is in a special area from discharging outside the special area in accordance with *regulation 9*.

Regulation 11: Exceptions

Regulations 9 and 10 of this Annex shall not apply to:

- (a) the discharge into the sea of oil or oily mixture necessary for the purpose of securing the safety of a ship or saving life at sea; or
- (b) ***the discharge into the sea of oil or oily mixture resulting from damage to a ship or its equipment:***
- (i) ***provided that all reasonable precautions have been taken after the occurrence of the damage or discovery of the discharge for the purpose of preventing or minimizing the discharge; and***
- (ii) ***except if the owner or the master acted either with intent to cause damage, or recklessly and with knowledge that damage would probably result; or***
- (c) the discharge into the sea of substances containing oil, approved by the [flag State] Administration, when being used for the purpose of combating specific pollution incidents in order to minimize the damage from pollution. Any such discharge shall be subject to the approval of any Government in whose jurisdiction it is contemplated the discharge will occur.

Part II: Noxious liquid substances (Marpol 73/78 Annex II)

Excerpts of the relevant provisions of Marpol 73/78 Annex II:

Regulation 3: Categorization and listing of noxious liquid substances

- (1) For the purpose of the regulations of this Annex, noxious liquid substances shall be divided into four categories as follows:
- (a) Category A: Noxious liquid substances which if discharged into the sea from tank cleaning or deballasting operations would present a major hazard to either marine resources or human health or cause serious harm to amenities or other legitimate uses of the sea and therefore justify the application of stringent anti-pollution measures.
- (b) Category B: Noxious liquid substances which if discharged into the sea from tank cleaning or deballasting operations would present a hazard to either marine resources or human health or cause harm to amenities or other legitimate uses of the sea and therefore justify the application of special anti-pollution measures.
- (c) Category C: Noxious liquid substances which if discharged into the sea from tank cleaning or deballasting operations would present a minor hazard to either marine resources or human health or cause minor harm to amenities or other legitimate uses of the sea and therefore require special operational conditions.
- (d) Category D: Noxious liquid substances which if discharged into the sea from tank cleaning or deballasting operations would present a recognizable hazard to either marine resources or human health or cause minimal harm to amenities or other legitimate uses of the sea and therefore require some attention in operational conditions.
-

Tuesday 13 January 2004

[Further guidelines on the categorization of substances, including a list of categorized substances are given in regulations 3(2)—(4) and 4 and the appendices of Marpol 73/78 Annex II]

Regulation 5: Discharge of noxious liquid substances

Category A, B and C substances outside special areas and Category D substances in all areas

Subject to the provisions of [...] *regulation 6*,

- (1) The discharge into the sea of substances in Category A as defined in regulation 3(1)(a) or of those provisionally assessed as such or ballast water, tank washings, or other residues or mixtures containing such substances shall be prohibited. If tanks containing such substances or mixtures are to be washed, the resulting residues shall be discharged to a reception facility until the concentration of the substance in the effluent to such facility is at or below 0.1 % by weight and until the tank is empty, with the exception of phosphorus, yellow or white, for which the residual concentration shall be 0.01 % by weight. Any water subsequently added to the tank may be discharged into the sea when all the following conditions are satisfied:
 - (a) the ship is proceeding en route at a speed of at least 7 knots in the case of self-propelled ships or at least 4 knots in the case of ships which are not self-propelled;
 - (b) the discharge is made below the waterline, taking into account the location of the seawater intakes; and
 - (c) the discharge is made at a distance of not less than 12 nautical miles from the nearest land in a depth of water of not less than 25 m.
- (2) The discharge into the sea of substances in Category B as defined in regulation 3(1)(b) or of those provisionally assessed as such, or ballast water, tank washings, or other residues or mixtures containing such substances shall be prohibited except when all the following conditions are satisfied:
 - (a) the ship is proceeding en route at a speed of at least 7 knots in the case of self-propelled ships or at least 4 knots in the case of ships which are not self-propelled;
 - (b) the procedures and arrangements for discharge are approved by the [flag State] Administration. Such procedures and arrangements shall be based upon standards developed by the [IMO] and shall ensure that the concentration and rate of discharge of the effluent is such that the concentration of the substance in the wake astern of the ship does not exceed 1 part per million;
 - (c) the maximum quantity of cargo discharged from each tank and its associated piping system does not exceed the maximum quantity approved in accordance with the procedures referred to in subparagraph (b), which shall in no case exceed the greater of 1 m³ or 1/3 000 of the tank capacity in m³;
 - (d) the discharge is made below the waterline, taking into account the location of the seawater intakes; and
 - (e) the discharge is made at a distance of not less than 12 nautical miles from the nearest land and in a depth of water of not less than 25 m.
- (3) The discharge into the sea of substances in Category C as defined in regulation 3(1)(c) or of those provisionally assessed as such, or ballast water, tank washings, or other residues or mixtures containing such substances shall be prohibited except when all the following conditions are satisfied:
 - (a) the ship is proceeding en route at a speed of at least 7 knots in the case of self-propelled ships or at least 4 knots in the case of ships which are not self-propelled;

Tuesday 13 January 2004

- (b) the procedures and arrangements for discharge are approved by the [flag State] Administration. Such procedures and arrangements shall be based upon standards developed by the [IMO] and shall ensure that the concentration and rate of discharge of the effluent is such that the concentration of the substance in the wake astern of the ship does not exceed 10 parts per million;
 - (c) the maximum quantity of cargo discharged from each tank and its associated piping system does not exceed the maximum quantity approved in accordance with the procedures referred to in subparagraph (b) of this paragraph, which shall in no case exceed the greater of 3 m³ or 1/1 000 of the tank capacity in m³;
 - (d) the discharge is made below the waterline, taking into account the location of the seawater intakes; and
 - (e) the discharge is made at a distance of not less than 12 nautical miles from the nearest land and in a depth of water of not less than 25 m.
- (4) The discharge into the sea of substances in Category D as defined in regulation 3(1)(d) or of those provisionally assessed as such, or ballast water, tank washings, or other residues or mixtures containing such substances shall be prohibited except when all the following conditions are satisfied:
- (a) the ship is proceeding en route at a speed of at least 7 knots in the case of self-propelled ships or at least 4 knots in the case of ships which are not self-propelled;
 - (b) such mixtures are of a concentration not greater than one part of the substance in ten parts of water; and
 - (c) the discharge is made at a distance of not less than 12 nautical miles from the nearest land.
- (5) Ventilation procedures approved by the [flag State] Administration may be used to remove cargo residues from a tank. Such procedures shall be based upon standards developed by the [IMO]. Any water subsequently introduced into the tank shall be regarded as clean and shall not be subject to paragraph (1), (2), (3) or (4).
- (6) The discharge into the sea of substances which have not been categorized, provisionally assessed, or evaluated as referred to in regulation 4(1), or of ballast water, tank washings, or other residues or mixtures containing such substances shall be prohibited.

Category A, B and C substances within special areas [as defined in Marpol 73/78 Annex II, Regulation 1, including the Baltic Sea]

Subject to the provisions of *paragraph (14) and regulation 6,*

- (7) The discharge into the sea of substances in Category A as defined in regulation 3(1)(a) or of those provisionally assessed as such, or ballast water, tank washings, or other residues or mixtures containing such substances shall be prohibited. If tanks containing such substances or mixtures are to be washed, the resulting residues shall be discharged to a reception facility which the States bordering the special area shall provide in accordance with *regulation 7*, until the concentration of the substance in the effluent to such facility is at or below 0.05 % by weight and until the tank is empty, with the exception of phosphorus, yellow or white, for which the residual concentration shall be 0.005 % by weight. Any water subsequently added to the tank may be discharged into the sea when all the following conditions are satisfied:
- (a) the ship is proceeding en route at a speed of at least 7 knots in the case of self-propelled ships or at least 4 knots in the case of ships which are not self-propelled;
 - (b) the discharge is made below the waterline, taking into account the location of the seawater intakes; and

Tuesday 13 January 2004

- (c) the discharge is made at a distance of not less than 12 nautical miles from the nearest land and in a depth of water of not less than 25 m.
- (8) The discharge into the sea of substances in Category B as defined in regulation (3)(1)(b) or of those provisionally assessed as such, or ballast water, tank washings, or other residues or mixtures containing such substances shall be prohibited except when all the following conditions are satisfied:
- (a) the tank has been prewashed in accordance with the procedure approved by the [flag State] Administration and based on standards developed by the [IMO] and the resulting tank washings have been discharged to a reception facility;
 - (b) the ship is proceeding en route at a speed of at least 7 knots in the case of self-propelled ships or at least 4 knots in the case of ships which are not self-propelled;
 - (c) the procedures and arrangements for discharge and washings are approved by the [flag State] Administration. Such procedures and arrangements shall be based upon standards developed by the [IMO] and shall ensure that the concentration and rate of discharge of the effluent is such that the concentration of the substance in the wake astern of the ship does not exceed 1 part per million;
 - (d) the discharge is made below the waterline, taking into account the location of the seawater intakes; and
 - (e) the discharge is made at a distance of not less than 12 nautical miles from the nearest land and in a depth of water of not less than 25 m.
- (9) The discharge into the sea of substances in Category C as defined in regulation 3(1)(c) or of those provisionally assessed as such, or ballast water, tank washings, or other residues or mixtures containing such substances shall be prohibited except when all the following conditions are satisfied:
- (a) the ship is proceeding en route at a speed of at least 7 knots in the case of self-propelled ships or at least 4 knots in the case of ships which are not self-propelled;
 - (b) the procedures and arrangements for discharge are approved by the [flag State] Administration. Such procedures and arrangements shall be based upon standards developed by the [IMO] and shall ensure that the concentration and rate of discharge of the effluent is such that the concentration of the substance in the wake astern of the ship does not exceed 1 part per million;
 - (c) the maximum quantity of cargo discharged from each tank and its associated piping system does not exceed the maximum quantity approved in accordance with the procedures referred to in subparagraph (b) of this paragraph which shall in no case exceed the greater of 1 m³ or 1/3 000 of the tank capacity in m³;
 - (d) the discharge is made below the waterline, taking into account the location of the seawater intakes; and
 - (e) the discharge is made at a distance of not less than 12 nautical miles from the nearest land and in a depth of water of not less than 25 m.
- (10) Ventilation procedures approved by the [flag State] Administration may be used to remove cargo residues from a tank. Such procedures shall be based upon standards developed by the [IMO]. Any water subsequently introduced into the tank shall be regarded as clean and shall not be subject to paragraph (7), (8) or (9).
- (11) The discharge into the sea of substances which have not been categorized, provisionally assessed or evaluated as referred to in regulation 4(1), or of ballast water, tank washings, or other residues or mixtures containing such substances shall be prohibited.

Tuesday 13 January 2004

- (12) Nothing in this regulation shall prohibit a ship from retaining on board the residues from a Category B or C cargo and discharging such residues into the sea outside a special area in accordance with paragraph (2) or (3), respectively.

Regulation 6: Exceptions

Regulation 5 shall not apply to:

- (a) the discharge into the sea of noxious liquid substances or mixtures containing such substances necessary for the purpose of securing the safety of a ship or saving life at sea; or
- (b) ***the discharge into the sea of noxious liquid substances or mixtures containing such substances resulting from damage to a ship or its equipment:***
- (i) ***provided that all reasonable precautions have been taken after the occurrence of the damage or discovery of the discharge for the purpose of preventing or minimizing the discharge; and***
- (ii) ***except if the owner or the master acted either with intent to cause damage, or recklessly and with knowledge that damage would probably result; or***
- (c) the discharge into the sea of noxious liquid substances or mixtures containing such substances, approved by the [flag State] Administration, when being used for the purpose of combating specific pollution incidents in order to minimize the damage from pollution. Any such discharge shall be subject to the approval of any Government in whose jurisdiction it is contemplated the discharge will occur.

ANNEX II

NON-EXHAUSTIVE LIST OF IRREGULARITIES OR INFORMATION, AS REFERRED TO IN ARTICLE 4(1)

- (1) Any irregularities with respect to the oil and other relevant record books, or otherwise related to potential pollution offences, discovered in port State control inspections carried out under Directive 95/21/EC;
- (2) Any irregularities with respect to the delivery of ship-generated waste or cargo residues, or the notification thereof, as required under Directive 2000/59/EC;
- (3) Any information obtained from another Member State relating to potential pollution offences of the ship, obtained through the procedures foreseen in Directive 2002/59/EC of the European Parliament and of the Council of 27 June 2002 establishing a Community vessel traffic monitoring and information system and repealing Council Directive 93/75/EEC⁽¹⁾ or otherwise; or
- (4) Any other information by persons involved in the operation of the ship, including pilots, which suggests irregularities relating to the respect of the obligations under this Directive.

⁽¹⁾ OJ L 208, 5.8.2002, p. 10.

Tuesday 13 January 2004

P5_TA(2004)0010

Transfer of cargo and passenger ships between registers *I****European Parliament legislative resolution on the proposal for a European Parliament and Council regulation on the transfer of cargo and passenger ships between registers within the Community (COM(2003) 478 — C5-0366/2003 — 2003/0180(COD))****(Codecision procedure: first reading)***The European Parliament,*

- having regard to the Commission proposal to the European Parliament and the Council (COM(2003) 478) ⁽¹⁾,
 - having regard to Articles 251(2) and 80(2) of the EC Treaty, pursuant to which the Commission submitted the proposal to Parliament (C5-0366/2003),
 - having regard to Rule 67 of its Rules of Procedure,
 - having regard to the report of the Committee on Regional Policy, Transport and Tourism (A5-0413/2003),
1. Approves the Commission proposal as amended;
 2. Calls on the Commission to refer the matter to Parliament again if it intends to amend the proposal substantially or replace it with another text;
 3. Instructs its President to forward its position to the Council and Commission.

⁽¹⁾ Not yet published in OJ.

P5_TC1-COD(2003)0180**Position of the European Parliament adopted at first reading on 13 January 2004 with a view to the adoption of European Parliament and Council Regulation (EC) No .../2004 on the transfer of cargo and passenger ships between registers within the Community**

THE EUROPEAN PARLIAMENT AND THE COUNCIL OF THE EUROPEAN UNION,

Having regard to the Treaty establishing the European Community, and in particular Article 80(2) thereof,

Having regard to the proposal from the Commission,

Having regard to the opinion of the European Economic and Social Committee ⁽¹⁾,

After consulting the Committee of the Regions,

Acting in accordance with the procedure laid down in Article 251 of the Treaty ⁽²⁾,

⁽¹⁾ OJ C ...

⁽²⁾ Position of the European Parliament of 13 January 2004.

Tuesday 13 January 2004

Whereas:

- (1) The establishment and functioning of the internal market involve the elimination of technical barriers to the transfer of cargo and passenger ships between the registers of Member States. Measures to facilitate the transfer of cargo and passenger ships within the Community are also required to reduce the costs and administrative procedures involved in a change of register within the Community, thereby improving the operating conditions and the competitive position of Community shipping.
- (2) It is necessary, at the same time, to safeguard a high level of ship safety and environmental protection, in compliance with International Conventions.
- (3) The requirements set out in the 1974 International Convention for the Safety of life at Sea (1974 SOLAS), the 1966 International Convention on Load Lines (LL 1966) and the 1973 International Convention for the Prevention of Pollution from Ships, as amended by the 1978 Protocol (MARPOL 73/78) provide for a high level of ship safety and environmental protection. The International Convention on Tonnage Measurement of Ships, 1969 provides for a uniform system for the measurement of the tonnage of merchant ships.
- (4) The international regime applicable to passenger ships has been strengthened and refined through the adoption of a considerable number of amendments to 1974 SOLAS by the International Maritime Organization (IMO) and an increased convergence of the interpretations of the 1974 SOLAS rules and standards.
- (5) The transfer of cargo and passenger ships flying the flag of a Member State between the registers of Member States should not be impeded by technical barriers, provided that the ships have been certified as complying with the provisions of relevant international Conventions by Member States or, on their behalf, by the organisations recognised under Council Directive 94/57/EC of 22 November 1994, on common rules and standards for ship inspection and survey organisations and for the relevant activities of maritime administrations ⁽¹⁾.
- (6) A Member State receiving a ship should however remain able to apply rules which differ in scope and nature from those referred to in the Conventions listed in Article 2(a).
- (7) In order to ensure a prompt and informed decision by the Member State of the receiving register, the Member State of the losing register should provide it with all relevant available information on the ship's condition and equipment. The Member State of the receiving register should, nevertheless, be able to subject the ship to an inspection to confirm its condition and equipment.
- (8) Ships which have been refused access to Member States' ports under Council Directive 95/21/EC of 19 June 1995, concerning the enforcement, in respect of shipping using Community ports and sailing in the waters under the jurisdiction of the Member States, of international standards for ship safety, pollution prevention and shipboard living and working conditions (port State control) ⁽²⁾ or which have been detained more than once following an inspection in the port during the three years preceding the application for registration should not be able to benefit from the possibility of being transferred under the simplified system to another register within the Community.
- (9) Relevant International Conventions leave important points of interpretation of the requirements to the discretion of the Parties. On the basis of their own interpretation, Member States issue to all ships flying their flags, that are subject to the provisions of relevant International Conventions, certificates certifying their compliance with these provisions. Member States enforce national technical regulations, some provisions of which contain requirements other than those in the Conventions and in

⁽¹⁾ OJ L 319, 12.12.1994, p. 20. Directive as last amended by Directive 2002/84/EC of the European Parliament and of the Council (OJ L 324, 29.11.2002, p. 53).

⁽²⁾ OJ L 157, 7.7.1995, p. 1. Directive as last amended by Directive 2002/84/EC.

Tuesday 13 January 2004

associated technical standards. An appropriate procedure should therefore be established in order to reconcile divergences in the interpretation of existing requirements which may occur upon a request for transfer of register.

- (10) In order to enable the implementation of this Regulation to be monitored, Member States should provide the Commission with succinct yearly reports. In the first yearly report Member States should identify any measures taken to facilitate the implementation of this Regulation.
- (11) The provisions of Council Regulation (EEC) No 613/91 of 4 March 1991 on the transfer of ships from one register to another within the Community⁽¹⁾, are significantly reinforced and extended by this Regulation. Regulation (EEC) No 613/91 should therefore be repealed.
- (12) The measures necessary for the implementation of this Regulation should be adopted in accordance with Council Decision 1999/468/EC of 28 June 1999 laying down the procedures for the exercise of implementing powers conferred on the Commission⁽²⁾,

HAVE ADOPTED THIS REGULATION:

Article 1

Purpose

The purpose of this Regulation is to eliminate technical barriers to the transfer of cargo and passenger ships flying the flag of a Member State between the registers of the Member States while, at the same time, ensuring a high level of ship safety and environmental protection, in accordance with International Conventions.

Article 2

Definitions

For the purposes of this Regulation:

- (a) 'Conventions' means the 1974 International Convention for the Safety of Life at Sea (1974 SOLAS), the 1966 International Convention on Load Lines (LL66), the 1969 International Convention on Tonnage Measurement of Ships, and the 1973 International Convention for the Prevention of Pollution from Ships, as amended by the 1978 Protocol relating thereto (MARPOL 73/78), in their up-to-date versions, and related codes of mandatory status adopted in the framework of the International Maritime Organisation (IMO), together with Protocols and amendments thereto in their up-to-date versions;
- (b) 'Requirements' means the safety, security and pollution-prevention requirements relating to the construction and equipment of ships laid down in the Conventions and, for passenger ships engaged on domestic voyages, those set out in Council Directive 98/18/EC of 17 March 1998 on safety rules and standards for passenger ships⁽³⁾;
- (c) 'Certificates' means certificates, documents and statements of compliance issued by a Member State or by a recognised organisation on its behalf in accordance with the Conventions and, for passenger ships engaged on domestic voyages, those issued in accordance with Article 11 of Directive 98/18/EC;
- (d) 'Passenger ship' means a ship carrying more than twelve passengers;

⁽¹⁾ OJ L 68, 15.3.1991, p. 1. Regulation as amended by Regulation (EC) No 2099/2002 of the European Parliament and of the Council (OJ L 324, 29.11.2002, p. 1).

⁽²⁾ OJ L 184, 17.7.1999, p. 23.

⁽³⁾ OJ L 144, 15.5.1998, p. 1. Directive as last amended by Commission Directive 2003/75/EC (OJ L 190, 30.7.2003, p. 6).

Tuesday 13 January 2004

- (e) 'Passenger' means every person other than:
 - i) the master and the members of the crew or other persons employed or engaged in any capacity on board a ship on the business of that ship; and
 - ii) a child under one year of age;
- (f) 'Domestic voyage' means a voyage in sea areas from a port of a Member State to the same or another port within that Member State;
- (g) 'International voyage' means a voyage by sea from a port of a Member State to a port outside that Member State, or conversely;
- (h) 'Cargo ship' means a ship which is not a passenger ship;
- (i) 'Recognised organisation' means an organisation recognised in accordance with Article 4 of Directive 94/57/EC.

Article 3

Scope

1. This Regulation shall apply to:
 - (a) cargo ships, carrying valid certificates, which:
 - (i) were built on or after 25 May 1980, or
 - (ii) were built before that date, but have been certified by a Member State or by a recognised organisation acting on its behalf as complying with the regulations for new ships defined in 1974 SOLAS, or, in the case of chemical tankers and gas carriers, with the relevant Standard codes for ships built on or after 25 May 1980;
 - (b) passenger ships engaged on domestic and/or international voyages, carrying valid certificates, which:
 - (i) were built on or after 1 July 1998, or
 - (ii) were built before that date, but have been certified by a Member State or by a recognised organisation acting on its behalf as complying with the requirements set out for ships built on or after 1 July 1998:
 - in Directive 98/18/EC, for ships engaged on domestic voyages,
 - in 1974 SOLAS, for ships engaged on international voyages.
2. This Regulation shall not apply to:
 - (a) ships following delivery after completion of their construction that do not carry valid full-term certificates from the Member State of the losing register;
 - (b) ships that have been refused access to Member States' ports in accordance with Directive 95/21/EC during the three years preceding application for registration and to ships that have been detained following inspection in the port of a State signatory of the Paris Memorandum of Understanding of 1982 on Port State Control and for reasons relating to the requirements defined in Article 2(b), more than once during the three years preceding application for registration. Member States shall nevertheless give due and timely consideration to applications in respect of such ships;
 - (c) ships of war or troopships, or other ships owned or operated by a Member State and used only on government non-commercial service;
 - (d) ships not propelled by mechanical means, wooden ships of primitive build, pleasure yachts not engaged in trade or a fishing vessel;
 - (e) cargo ships of less than 500 gross tonnage.

Tuesday 13 January 2004

Article 4

Transfer of register

1. A Member State shall not withhold from registration, for technical reasons arising from the Conventions, a ship registered in another Member State which complies with the requirements and carries valid certificates and equipment approved or type-approved in accordance with Council Directive 96/98/EC of 20 December 1996 on marine equipment ⁽¹⁾.

In order to fulfil their obligations under regional environmental instruments ratified before 1 January 1992, Member States may impose additional rules in accordance with the optional Annexes to the Conventions.

2. This Article shall apply without prejudice, where applicable, to any specific requirements laid down for the operation of a ship under Article 7 of Directive 98/18/EC and Article 6 of Directive 2003/25/EC of the European Parliament and of the Council of 14 April 2003 on specific stability requirements for ro-ro passenger ships ⁽²⁾.

3. Upon receiving the request for transfer, the Member State of the losing register shall provide the Member State of the receiving register, or make available to the recognised organisation acting on its behalf, all relevant information on the ship, in particular, on her condition and equipment. This information shall contain the history file of the vessel and, if applicable, a list of the improvements required by the losing register for registering the ship or renewing her certificates and of overdue surveys. The information shall include all the certificates and particulars of the ship as required by the Conventions and relevant Community instruments as well as Flag State inspection and Port State control records. The Member States shall cooperate to ensure proper implementation of this paragraph.

4. Before registering a ship, the Member State of the receiving register, or the recognised organisation acting on its behalf, may subject the ship to an inspection to confirm that the actual condition of the ship and her equipment correspond to the certificates referred to in Article 3. The inspection shall be performed within a reasonable time frame.

5. If, following the inspection and having given the ship owner a reasonable opportunity to rectify any deficiencies, the Member State of the receiving register, or the recognised organisation acting on its behalf, is unable to confirm correspondence with the certificates, it shall notify the Commission in accordance with Article 6(1).

Article 5

Certificates

1. Upon the transfer and without prejudice to Directive 94/57/EC, the Member State of the receiving register, or the recognised organisation acting on its behalf, shall issue certificates to the ship under the same conditions as those under the flag of the Member State of the losing register, provided the reasons or the grounds on the basis of which the Member State of the losing register imposed any condition or granted any exemption or waiver continue to apply.

2. At the time of renewal, extension or revision of the certificates, the Member State of the receiving register, or the recognised organisation acting on its behalf, shall not impose requirements other than those initially prescribed for the full-term certificates insofar as requirements for existing ships and conditions remain unchanged.

⁽¹⁾ OJ L 46, 17.2.1997, p. 25. Directive as last amended by Directive 2002/84/EC.

⁽²⁾ OJ L 123, 17.5.2003, p. 22.

Tuesday 13 January 2004

Article 6

Refusal of transfer and interpretation

1. The Member State of the receiving register shall immediately notify the Commission of any refusal to issue, or to authorise the issuing of, new certificates to a ship for reasons based on divergences of interpretation of the requirements or of the provisions which the Conventions or relevant Community instruments leave to the discretion of the Parties.

Unless the Commission is informed of an agreement between the Member States concerned within one month, it shall initiate proceedings in order to take a decision in accordance with the procedure referred to in Article 7(2).

2. Where a Member State considers that a ship cannot be registered under Article 4 for reasons relating to serious danger to safety, security or to the environment, other than those referred to in paragraph 1, registration may be suspended.

The Member State shall immediately bring the matter to the attention of the Commission, stating the reasons for the suspension of the registration. The decision not to register the ship shall be confirmed or not in accordance with the procedure referred to in Article 7(2).

3. The Commission may consult the Committee referred to in Article 7 on any matter related to the interpretation and implementation of this Regulation, in particular in order to ensure that standards of safety, security and environmental protection are not reduced.

Article 7

Committee procedure

1. The Commission shall be assisted by the Committee on Safe Seas and the Prevention of Pollution from Ships (COSS) set up by Article 3 of Regulation (EC) No 2099/2002 of the European Parliament and of the Council of 5 November 2002 establishing a Committee on Safe Seas and the Prevention of Pollution from Ships (COSS) and amending the Regulations on maritime safety and the prevention of pollution from ships⁽¹⁾ ('Committee').

2. Where reference is made to this paragraph, Articles 5 and 7 of Council Decision 1999/468/EC shall apply having regard to the provisions of Article 8 thereof.

The period laid down in Article 5(6) of Decision 1999/468/EC shall be set at two months.

3. The Committee shall adopt its Rules of Procedure.

Article 8

Reporting

1. Member States shall transmit to the Commission a succinct yearly report on the implementation of this Regulation. The report shall provide statistical data on the transfer of ships carried out in accordance with this Regulation and list any difficulties encountered in its implementation.

2. By ...⁽²⁾ the Commission shall submit a report to the European Parliament and the Council on the implementation of this Regulation, based in part on the reports submitted by the Member States. In this report, the Commission shall assess, inter alia, whether it is appropriate to amend the Regulation.

⁽¹⁾ OJ L 324, 29.11.2002, p. 1.

⁽²⁾ Four years after the date of entry into force of this Regulation.

Tuesday 13 January 2004

Article 9

Amendments

1. The definitions in Article 2 may be amended in accordance with the procedure referred to in Article 7(2) in order to take account of developments at international level, in particular, in the IMO and to improve the effectiveness of this Regulation in the light of experience and of technical progress, insofar as such amendments do not broaden the scope of this Regulation.

2. Any amendment to the Conventions may be excluded from the scope of this Regulation, pursuant to Article 5 of Regulation (EC) No 2099/2002.

Article 10

Repeal

Regulation (EEC) No 613/91 is hereby repealed.

Article 11

Entry into force

This Regulation shall enter into force on the twentieth day following that of its publication in the Official Journal of the European Union.

This Regulation shall be binding in its entirety and directly applicable in all Member States.

Done at ...

For the European Parliament
The President

For the Council
The President

P5_TA(2004)0011

Management of nuclear waste *

European Parliament legislative resolution on the proposal for a Council Directive (Euratom) on the management of spent nuclear fuel and radioactive waste (COM(2003) 32 — C5-0229/2003 — 2003/0022(CNS))

(Consultation procedure)

The European Parliament,

— having regard to the Commission proposal to the Council (COM(2003) 32)⁽¹⁾,

— having regard to Articles 31 and 32 of the Euratom Treaty, pursuant to which the Council consulted Parliament (C5-0229/2003),

⁽¹⁾ Not yet published in OJ.

Tuesday 13 January 2004

- having regard to Rule 67 of its Rules of Procedure,
 - having regard to the report of the Committee on Industry, External Trade, Research and Energy and the opinion of the Committee on the Environment, Public Health and Consumer Policy (A5-0442/2003),
1. Approves the Commission proposal as amended;
 2. Calls on the Commission to alter its proposal accordingly, pursuant to Article 119, second paragraph, of the Euratom Treaty;
 3. Calls on the Council to notify Parliament if it intends to depart from the text approved by Parliament;
 4. Asks the Council to consult Parliament again if it intends to amend the Commission proposal substantially;
 5. Instructs its President to forward its position to the Council and Commission.

TEXT PROPOSED
BY THE COMMISSION

AMENDMENTS
BY PARLIAMENT

Amendment 1

Recital 12a (new)

(12a) The International Joint Convention on the Safety of Spent Fuel Management and on the Safety of Radioactive Waste Management entitles any State to ban import into its territory of foreign spent fuel and radioactive waste, thus no Member State shall ever be obliged to accept imports of any kind of radioactive waste from other Member States.

Amendment 16

Article 1, paragraph 1, point (b)

(b) to achieve and maintain **a high** level of safety in the management of spent nuclear fuel and radioactive waste in order to protect human health and the environment by taking all necessary precautionary and preventive measures, and with a view to ensuring **adequate** levels of protection are achieved throughout the Community in a consistent and effective manner;

(b) to achieve and maintain **the highest** level of safety in the management of spent nuclear fuel and radioactive waste in order to protect human health and the environment by taking all necessary precautionary and preventive measures, and with a view to ensuring **the highest** levels of protection **that are technically possible** are achieved throughout the Community in a consistent and effective manner;

Amendment 2

Article 2, point 3

(3) 'disposal' means the emplacement of solid or solidified radioactive waste, including spent fuel, in an appropriate facility **without the intention of retrieval**;

(3) 'disposal' means the emplacement of solid or solidified radioactive waste, including spent fuel, in an appropriate **above-ground or underground** facility;

Tuesday 13 January 2004

TEXT PROPOSED
BY THE COMMISSION

AMENDMENTS
BY PARLIAMENT

Amendment 3

Article 2, point 15

(15) 'storage' means the holding of radioactive waste or spent nuclear fuel in **a** facility that provides for its containment, with the intention of retrieval.

(15) 'storage' means the holding of radioactive waste or spent nuclear fuel in **an appropriate above-ground or underground** facility that provides for its containment, with the intention of retrieval.

Amendment 19

Article 3, paragraph 1

1. Member States shall take all necessary measures to ensure that spent nuclear fuel and radioactive waste are managed **in such a way that individuals, society and the environment are adequately protected against radiological hazards.**

1. Member States shall take all necessary measures to ensure that spent nuclear fuel and radioactive waste are managed **without endangering human health or the environment, in particular without using processes or methods that could result in the radioactive contamination of water, soil or air-space.**

Amendment 4

Article 3, paragraph 3

3. Member States shall take all the necessary legislative, regulatory and administrative measures and other steps required to ensure the safe management of spent nuclear fuel and radioactive waste.

3. Member States shall take all the necessary legislative, regulatory and administrative measures and other steps required to ensure the safe **monitoring and** management of spent nuclear fuel and radioactive waste, **including the possibility of retrieving the waste for repackaging, or the use of alternative mechanisms for safe disposal if necessary.**

Amendment 5

Article 3, paragraph 6

6. Member States shall ensure that there will be effective public information and, where appropriate, participation in order to achieve a high level of transparency on issues related to the management of spent nuclear fuel and radioactive waste under their jurisdiction.

6. Member States shall ensure that there will be effective public information and, where appropriate, participation in order to achieve a high level of transparency on issues related to the management of spent nuclear fuel and radioactive waste under their jurisdiction. **The public shall be informed of the actions to be taken and the status of the decision-making process, and in particular of the criteria adopted for the choice of sites for final disposal.**

The Commission shall implement a European Programme to increase the general public awareness of nuclear waste management.

Amendment 22

Article 3, paragraph 6a (new)

6a. Certain methods of disposal of radioactive waste shall be excluded for environmental reasons, including:

Tuesday 13 January 2004

TEXT PROPOSED
BY THE COMMISSIONAMENDMENTS
BY PARLIAMENT

- *dumping at sea*
- *disposal in under-sea repositories*
- *disposal in space.*

Amendment 6

Article 4, paragraph 3

3. Where there is no suitable alternative to disposal, and where such a disposal option is not yet available, **Member States shall integrate the following decision points into their programmes:**

- (a) *authorisation for development of appropriate disposal site(s) to be granted no later than 2008. In the case of geological disposal of high-level and long-lived radioactive waste, this authorisation may be conditional upon a further period of detailed underground study;*
- (b) *in the case of short-lived low and intermediate-level radioactive waste, if this is to be disposed of separately from high-level and long-lived radioactive waste, authorisation for operation of the disposal facility to be granted no later than 2013;*
- (c) *in the case of high-level and long-lived radioactive waste, to be disposed of in a geological repository, authorisation for operation of the*

3. Where there is no suitable alternative to disposal, and where such a disposal option is not yet available, **each Member State shall prepare and present to the Commission, no later than 2006, a detailed programme for the long-term management of all the radioactive waste types under its jurisdiction. The programme shall include all the different steps described in the Annex.**

Once the programme has been approved by the Council, each Member State shall fix its own deadlines to put the programme in force. In particular, Member States shall set deadlines for the authorisation for development of appropriate disposal sites and for authorisation for operation of disposal facilities. Such deadlines shall be consistent with the best technologies available at the time of the preparation of the programme.

Amendment 7

Article 4, paragraph 3a (new)

3a. Each Member State shall publish national individual programmes, covering all stages of waste management, up to and including the implementation of permanent disposal solutions. Such programmes shall integrate the technical, geological, political and economic considerations specific to each country.

Tuesday 13 January 2004

TEXT PROPOSED
BY THE COMMISSION

AMENDMENTS
BY PARLIAMENT

Member States shall, by 2006, submit to the Commission a national programme setting their own timescales for the final disposal of waste, taking into account their particular legislative and political circumstances.

Once the national programmes have been submitted, they shall be peer-reviewed by the Commission and the national regulators in close cooperation so that they can be implemented accordingly.

Amendment 8

Article 4, paragraph 6

6. The programme may include shipments of radioactive waste or spent fuel to another Member State or third country if such shipments are fully in compliance with existing EU legislation, principally Directive 92/3/Euratom, and International commitments, are covered by firm contracts and only take place **to** States with appropriate facilities that meet **accepted** norms and standards **of the Member State of origin and**, in the case of material within the meaning of Article 197 of the Treaty, **are under** adequate safeguards.

6. The programme may include shipments of radioactive waste or spent fuel to another Member State or third country if such shipments are fully in compliance with existing EU legislation, principally Directive 92/3/Euratom, and International commitments, are covered by firm contracts and only take place **with the prior written informed consent of** States with appropriate facilities that meet **EU and international** norms and standards, **principally the International Joint Convention on the Safety of Spent Fuel Management and on the Safety of Radioactive Waste Management.** In the case of material within the meaning of Article 197 of the Treaty, adequate safeguards **must be applied.**

Amendment 9

Article 5, title

Research and technological development in radioactive waste management

Research and technological development in radioactive waste management **and minimisation**

Amendment 10

Article 5, paragraph 2

2. Based on the regular reports by Member States required under Article 7 of this Directive, the Commission shall identify common areas of research and technological development that could be co-ordinated at the Community level, **taking** fully into account the activities under the research and training programmes adopted pursuant to Article 7 of the Treaty.

2. Based on the regular reports by Member States required under Article 7 of this Directive, the Commission shall identify common areas of research and technological development that could be co-ordinated at the Community level, **with priority being given to the reduction of waste. It shall take** fully into account the activities under the research and training programmes adopted pursuant to Article 7 of the Treaty.

Tuesday 13 January 2004

TEXT PROPOSED
BY THE COMMISSIONAMENDMENTS
BY PARLIAMENT

Amendment 11

Article 5, paragraph 3

3. The Commission shall encourage co-operation between the Member States in common areas of research and technological development in line with the provisions of Chapter 1 of Title II of the Treaty. **To this end** specific tasks may be entrusted to one or more Joint Undertakings to be established under Chapter 5 of Title II of the Treaty.

3. The Commission shall encourage co-operation between the Member States in common areas of research and technological development in line with the provisions of Chapter 1 of Title II of the Treaty, **mainly through the instruments of the Framework Programmes for Research and Technological Development. When appropriate, specific and clearly defined** tasks may be entrusted to one or more Joint Undertakings to be established under Chapter 5 of Title II of the Treaty.

Amendment 28

*Article 5a (new)***Article 5a****Financial resources**

1. **Member States shall ensure that financial resources sufficient to cover the decommissioning and waste management costs of each nuclear installation, taking into account the length of time required, are available as funds at the time envisaged. These funds must meet the minimum criteria set out in the Annex, and of any relevant directive under the EC Treaty. Furthermore, by ... (*) the Commission shall propose legislation, under the EC Treaty, to ensure the availability of funds for future decommissioning and to avoid obstacles to fair competition in the energy market. Member States must adopt separate accounting for the financing of future decommissioning or waste management activities. These funds must be reviewed and audited annually by an independent body, such as the regulator or regulatory bodies, to verify that the revenues and the associated interest raised for these future activities shall only be used for these purposes, i.e. for decommissioning or waste management activities, and not used directly or indirectly to fund activities in the market.**

2. **In the case of nuclear installations whose main purpose is other than the sale of products or services, in particular research reactors, Member States shall determine the means of meeting the specific decommissioning resource requirements.**

(*) Six months after the adoption of this Directive.

Tuesday 13 January 2004

TEXT PROPOSED
BY THE COMMISSIONAMENDMENTS
BY PARLIAMENT

Amendment 29

Annex 1a (new)

ANNEX 1a

1. *The decommissioning funds shall be created from contributions by operators of nuclear installations during their operation, in order to reach a level of resources, at the time of the final shutdown, sufficient to cover all expenses related to decommissioning and waste management as defined in paragraph 2.*

2. *Contributions shall be made to the fund in line with the case of a nuclear installation whose operation will cease before the end of its estimated service life and with the estimated original service life of the installation and with the decommissioning and radioactive waste management strategies chosen, in such a manner as to cover, in particular, decommissioning of the installation; safe, long-term management of the conventional and radioactive wastes from decommissioning of the installation; and safe, long-term management of the spent fuel from nuclear power stations and of the wastes from reprocessing operations not already fully covered as an operational cost.*

3. *The assets of the funds shall be managed in a manner ensuring liquidity compatible with the timetable for the decommissioning and waste management obligations and the costs set out in paragraph 2.*

4. *The assets of the funds are to be used only to cover the costs set out in paragraph 2 in line with the decommissioning strategy and may not be used for other purposes. To this end, the decommissioning funds shall be duly established with their own legal personality, separate from the operator of the installation.*

5. *In the case of a nuclear installation whose operation will cease before the entry into force of the legislative, regulatory and administrative provisions set out in article 10 of this Directive; or within... [period to be decided] of the entry into force of these provisions, approaches other than the creation of decommissioning funds as required by this Directive may be taken.*

6. *Member States shall define the method by which the necessary resources for decommissioning, already accumulated by the operator before the entry into force of measures taken to implement this Directive, shall be transferred. These transfers must take place within one year from the date envisaged in Article 8.*

Tuesday 13 January 2004

P5_TA(2004)0012

Nuclear safety *

European Parliament legislative resolution on the proposal for a Council (Euratom) directive setting out basic obligations and general principles on the safety of nuclear installations (COM(2003) 32 — C5-0228/2003 — 2003/0021(CNS))

(Consultation procedure)

The European Parliament,

- having regard to the Commission proposal to the Council (COM(2003) 32) ⁽¹⁾,
 - having regard to Articles 31, 32 and 187 of the Euratom Treaty, pursuant to which the Council consulted Parliament (C5-0228/2003),
 - having regard to Rule 67 of its Rules of Procedure,
 - having regard to the report of the Committee on Industry, External Trade, Research and Energy and the opinion of the Committee on the Environment, Public Health and Consumer Policy (A5-0441/2003),
1. Approves the Commission proposal as amended;
 2. Calls on the Commission to alter its proposal accordingly, pursuant to Article 119, second paragraph, of the Euratom Treaty;
 3. Calls on the Council to notify Parliament if it intends to depart from the text approved by Parliament;
 4. Asks the Council to consult Parliament again if it intends to amend the Commission proposal substantially;
 5. Instructs its President to forward its position to the Council and Commission.

TEXT PROPOSED
BY THE COMMISSION

AMENDMENTS
BY PARLIAMENT

Amendment 1

Recital 3

(3) Article 187 of the Treaty stipulates that the Commission may, within the limits and under the conditions laid down by the Council in accordance with the provisions of this Treaty, collect any information and carry out any checks required for the performance of the tasks entrusted to it.

Deleted

Amendment 2

Recital 7

(7) Although the radiation protection system created by the basic standards in force ensures a high level of protection for the health of the population based on current scientific knowledge on this subject, this must be supplemented **by strict application** of safety **standards designed to anticipate and**

(7) Although the radiation protection system created by the basic standards in force ensures a high level of protection for the health of the population based on current scientific knowledge on this subject, this must be supplemented **to ensure that a high level** of safety **of** nuclear installations **is maintained.**

⁽¹⁾ Not yet published in OJ.

Tuesday 13 January 2004

TEXT PROPOSED
BY THE COMMISSIONAMENDMENTS
BY PARLIAMENT

control the risks of exposure for the population. In nuclear installations **in particular, keeping** up high safety **standards at all stages** from conception to decommissioning by maintaining effective defences against radiological risks and preventing accidents which could have radiological consequences is a sine qua non in order fully to attain the objectives of health protection set out in Article 2(b) of the Treaty.

Keeping up a high level of safety from conception to decommissioning by maintaining effective defences against radiological risks and preventing accidents which could have radiological consequences is a sine qua non in order fully to attain the objectives of health protection set out in Article 2(b) of the Treaty.

Amendment 3

Recital 8

(8) Despite a degree of harmonisation, today the nuclear safety measures still vary widely from one Member State to another. This diversity becomes even greater in view of the forthcoming enlargement of the European Union. At present, this diversity of standards does not allow the Community to satisfy itself that the health protection requirements of Article 2(b) of the Treaty are always applied in the best possible way. In order for the Community to ensure that **the** uniform safety standards as required by **this provision** are applied, these basic standards for radiation protection must be supplemented by common safety standards to the extent necessary to eliminate hazards to the life and health of the public.

(8) Despite a degree of harmonisation, today the nuclear safety measures still vary widely from one Member State to another. This diversity becomes even greater in view of the forthcoming enlargement of the European Union. At present, this diversity of standards does not allow the Community to satisfy itself that the health protection requirements of Article 2(b) of the Treaty are always applied in the best possible way. **The European Atomic Energy Community, by joining the Convention on Nuclear Safety which entered into force on 24 October 1996, committed itself to respecting an internationally recognised high level of nuclear safety.** In order for the Community to ensure that **the principles of this Convention are respected at Community level and that** 'uniform safety standards' as required by **Article 2(b) of the Euratom Treaty** are applied, these basic standards for radiation protection must be supplemented by common safety standards to the extent necessary to eliminate hazards to the life and health of the public.

Amendment 4

Recital 10

(10) In order to attain the Community objectives regarding radioprotection mentioned above, it is essential **as a first stage** to define the basic obligations and general principles on the safety of nuclear installations.

(10) In order to attain the Community objectives regarding radioprotection mentioned above, it is essential to define the basic obligations and general principles on the safety of nuclear installations. **The prime responsibility for the safety of a nuclear installation rests with the licence holder under the control of its national safety authorities.**

Amendment 5

Recital 11

(11) Safe decommissioning of nuclear installations, **including** the long-term management of radioactive waste and spent nuclear fuel, **calls** for substantial financial resources. In order to avoid any danger to human health or to the environment,

(11) **It is necessary that adequate financial resources be available to support the safety of nuclear installations, even beyond their operational lifetime.** Safe decommissioning of nuclear installations **as well as** the long-term management of

Tuesday 13 January 2004

TEXT PROPOSED
BY THE COMMISSIONAMENDMENTS
BY PARLIAMENT

it is necessary **to guarantee at Community level** that sufficient financial resources will be available to complete decommissioning activities at nuclear installations in conformity with safety standards. To this end, specific rules must be **put** in place for the establishment of **decommissioning funds to which operators of nuclear installations will have to contribute regularly** throughout the productive service life of the installations. **In order to guarantee the availability and the adequacy of funds for decommissioning operations it is necessary to set up, except in specific and properly justified cases, funds with their own legal personality separate from the operator of the installation.**

radioactive waste and spent nuclear fuel **call** for substantial financial resources. In order to avoid any danger to human health or to the environment, it is necessary **that each Member State ensures** that sufficient financial resources will be available to complete decommissioning activities at nuclear installations in conformity with safety standards. To this end, specific rules must be in place **in each Member State** for the establishment of **such financial resources** throughout the productive service life of the installations.

Amendment 6

Recital 14

(14) In order to monitor application of rules set up in conformity with this Directive, the Commission must **be able to check** the manner in which safety authorities carry out their duties and **to meet their obligations under this Directive and to receive reports from** the Member States **indicating the measures which they have taken,**

(14) In order to monitor *the* application of rules set up in conformity with this Directive, the Commission must, **on the one hand, verify with a peer review mechanism** the manner in which safety authorities carry out their duties and, **on the other hand, implement a procedure for reviewing the reports sent** by the Member States **in conformity with this Directive,**

Amendment 7

Article 1

1. In order to ensure the protection of the general public and of workers against the dangers of ionising radiation from nuclear installations, this Directive **sets out the basic obligations and general principles which allow the Community to satisfy itself by ensuring a high level of safety of nuclear installations that** the basic standards laid down under Article 30 of the Treaty **are applied.**

1. In order to ensure the protection of the general public and of workers against the dangers of ionising radiation from nuclear installations, this Directive **supplements** the basic standards laid down under Article 30 of the Treaty **as regards the safety of such installations by setting out relevant basic obligations and principles.**

2. This Directive applies to all nuclear installations, including after the end of their operation.

2. This Directive applies to **all uranium mines and** all nuclear installations, including after the end of their operation.

Amendment 8

Article 2, point 2

(2) 'Common safety standards' means all the rules drawn up in accordance with this Directive **on the basis of the general principles set out in Title III;**

(2) 'Common safety standards' means all the rules drawn up in accordance with **Articles 3 to 12 of** this Directive;

Amendment 9

Article 2, paragraph 1a (new)

State-of-the-art safety standards require that technical, regulatory and operational regimes correspond to the best possible practices presently deployed or under development in the EU.

Tuesday 13 January 2004

TEXT PROPOSED
BY THE COMMISSIONAMENDMENTS
BY PARLIAMENT

In addition, Member States shall be required to seek to improve these safety standards constantly.

Amendment 28

Article 5, point (da) (new)

(da) to ensure that nuclear facilities are operated to a standard that reflects the state-of-the-art practices in the European Union in technical, regulatory and operational respects.

Amendment 10

Article 5a (new)

Article 5a**Responsibility for the safety of the nuclear facilities**

1. The responsibility for the safety of nuclear installations shall rest with the Member State having jurisdiction over the nuclear installation concerned.

2. Member States shall take the necessary measures to ensure that the prime responsibility for the safety of a nuclear installation rests with the holder of the relevant licence under the control of their regulatory bodies, in particular with regard to the control of the installation and to the individual measures related to it.

3. Member States shall take the appropriate measures to ensure that each licence holder meets its responsibilities.

Amendment 11

Article 6, paragraph 1

1. Member States shall take all appropriate measures to ensure that in the course of all practices directly related to nuclear installations **due** priority is given to nuclear safety.

1. Member States shall take all appropriate measures to ensure that in the course of all practices directly related to nuclear installations **absolute** priority is given to nuclear safety.

Amendment 29

Article 6a (new)

Article 6a**Protection of the population**

1. Member States shall ensure that the measures for operational protection of the population pursuant to Article 44 of Directive 96/29/Euratom take account of the nuclear safety aspects at all stages of the nuclear fuel cycle and, in particular:

Tuesday 13 January 2004

TEXT PROPOSED
BY THE COMMISSIONAMENDMENTS
BY PARLIAMENT

- (a) *that the examination and approval of plans for nuclear installations and of the proposed siting of such installations also take account of the nuclear safety aspects;*
- (b) *that the acceptance into service of such new installations also takes account of the nuclear safety aspects; and*
- (c) *that the operating licence for nuclear installations also takes account of the nuclear safety aspects.*

2. Member States shall ensure that the exposure suffered by the general public and by workers to ionising radiation during construction, operation and decommissioning is restricted to the lowest level that is technically achievable.

Amendment 12

Article 7, paragraph 1

1. Member States shall require the undertakings responsible for the nuclear installations to operate them in accordance with the **common** safety standards applicable to them and with the regulations laid down by the safety authority and any measures taken by the same authority.

1. Member States shall require the undertakings responsible for the nuclear installations to operate them in accordance with the safety standards applicable to them and with the regulations laid down by the safety authority and any measures taken by the same authority.

This does not mean any transfer of competence from the national authorities to the Commission without the approval of legally binding rules to this effect.

Amendment 30

Article 9, paragraph 2

2. Member States shall ensure that financial resources sufficient to cover decommissioning costs of each nuclear installation, taking into account the length of time required, are available as **decommissioning** funds at the time envisaged. These funds must meet the minimum criteria set out in the annex.

2. Member States shall ensure that financial resources sufficient to cover *the decommissioning and waste management* costs of each nuclear installation, taking into account the length of time required, are available as funds at the time envisaged. These funds must meet the minimum criteria set out in the Annex **and any relevant directive under the EC Treaty. Furthermore, by ... (*)**, the Commission shall propose legislation, under the EC Treaty, to ensure the availability of funds for future decommissioning and to avoid obstacles to fair competition in the energy market. Member States shall adopt separate accounting for the financing of future decommissioning or waste management activities. These funds shall be reviewed and audited annually by an independent body, such as the regulator or regulatory bodies, to verify that the revenues and the associated interest raised for these future

Tuesday 13 January 2004

TEXT PROPOSED
BY THE COMMISSIONAMENDMENTS
BY PARLIAMENT

activities shall only be used for these purposes, i.e. for decommissioning or waste management activities, and not used directly or indirectly to fund activities in the market.

() Six months after the adoption of this Directive.*

Amendments 14 and 15

Article 9, paragraph 3

3 (a) Member States shall ensure that financial resources built up for decommissioning:

- *offer liquidity compatible with the timetable for decommissioning operations;*
- *are exclusively assigned to decommissioning operations, without prejudice to an optimal and careful management of these assets;*
- *are guaranteed in the event of the bankruptcy of the operator, and may not be used to make good any liabilities.*

(3) In the case of nuclear installations whose main purpose is other than the sale of products or services, in particular research reactors, Member States determine the means of meeting the specific decommissioning resource requirements.

(b) In the case of nuclear installations whose main purpose is other than the sale of products or services, in particular research reactors, Member States **shall** determine the means of meeting the specific decommissioning resource requirements.

Amendment 16

Article 9, paragraph 3a (new)

3a. *In the case of a nuclear installation whose operation will cease before the entry into force of the legislative, regulatory and administrative provisions set out in this Directive or within... [period to be decided] of the entry into force of these provisions, solutions other than the creation of financial resources intended for decommissioning as required by this Directive may be taken, provided that the decommissioning of this installation is ensured under equivalent conditions of safety.*

Amendment 17

Article 9, paragraph 3b (new)

3b. *Member States shall define the method for bringing into conformity with this Directive the financial resources already accumulated for decommissioning. This must take place within at least three years of the date envisaged in Article 15(1).*

Tuesday 13 January 2004

TEXT PROPOSED
BY THE COMMISSIONAMENDMENTS
BY PARLIAMENT

Amendment 18

*Article 11a (new)***Article 11a****Committee**

1. **A Regulatory Authorities Committee (hereinafter 'the Committee') is hereby established in order to prepare and assess the reviews carried out in accordance with this Directive.**

2. **This Committee shall be composed of representatives of the regulatory bodies designated by the Member States.**

The Committee shall adopt its rules of procedure.

Amendment 19

Article 12

1. In order to ensure the maintenance of a high level of nuclear safety in Member States, the Commission shall **carry out verifications of safety authorities**. Member States shall ensure that safety authorities comply with these **verifications**.

2. **Member States shall send the Commission a list of experts, indicating their fields of expertise, on whom the Commission shall call to carry out the verifications provided for in paragraph 1.**

3. The experts shall obtain prior approval from the **safety authorities** in the Member State where the **verification** is to be carried out before they may carry out the **verifications** provided for in paragraph 1. Experts shall not be allocated for **verifications** within their Member State of origin.

4. Prior to the **verification**, the Commission shall inform the Member State concerned of the **verification**, specifying **the subject-matter, the purpose of the inspection**, the date on which it is to begin and the **names of the approved experts**.

5. **The Commission shall forward the verification reports to the Member State concerned which, within three months of receipt, shall indicate the measures taken to remedy any shortcoming.**

1. In order to ensure the maintenance of a high level of nuclear safety in Member States, the Commission shall **organise reviews of regulatory bodies**. Member States shall ensure that safety authorities comply with these **reviews**.

The Commission is responsible for all the costs of these verifications of safety authorities in the Member States.

2. **These reviews shall be carried out, according to a peer review mechanism, by experts designated by the regulatory bodies of the Member States. To this end, Member States shall communicate to the Commission a list of experts, indicating their fields of expertise.**

3. The experts shall obtain prior approval from the **regulatory body** in the Member State where the **review** is to be carried out before they may carry out the **reviews** provided for in paragraph 1. Experts shall **carry out reviews on an ad hoc basis and** shall not be allocated for **reviews** within their Member State of origin.

4. **The review programme shall be drawn up by the Committee.**

5. Prior to the **review**, the Commission shall inform the Member State concerned of the **review**, specifying **its subject-matter, the date on which it is to begin and the identities of the persons in charge of the review**.

6. **Within three months of the review, a report shall be drawn up by the review team. The Commission shall convene the Committee to make a presentation of the review report. The Committee shall give an opinion on the report.**

Tuesday 13 January 2004

TEXT PROPOSED
BY THE COMMISSIONAMENDMENTS
BY PARLIAMENT

6. *The Commission may submit comments to the Member States or request further information following verifications in order to clarify all or part of the reports.*

7. *The Commission shall forward the review report, along with the opinion of the Committee, to the Member State concerned. The Member State concerned shall, within three months of receipt, present its observations and indicate the measures taken to remedy any shortcomings.*

Amendment 20

Article 13, paragraph 1

1. Member States shall submit a report to the Commission every **year** from the date provided for in Article 15 paragraph 1 on the measures taken to fulfil their obligations under this Directive and on the safety situation in nuclear installations located on their territory. The Commission shall organise meetings with Member States in order to examine these reports.

1. Member States shall submit a report to the Commission every **two years** from the date provided for in Article 15 paragraph 1 on the measures taken to fulfil their obligations under this Directive and on the safety situation in nuclear installations located on their territory. The Commission shall organise meetings with Member States in order to examine these reports.

Amendment 21

Article 15, paragraph 1

1. Member States shall bring into force the laws, regulations and administrative provisions necessary to comply with this Directive before ...[before 1 May 2004]. They shall **forthwith inform** the Commission **thereof**.

1. Member States shall bring into force the laws, regulations and administrative provisions necessary to comply with this Directive before ...[before 1 May 2004]. They shall **communicate immediately to** the Commission **the text of these provisions and a table showing the correlations between those provisions and this Directive**.

Amendment 22

Article 16

This Directive shall enter into force the **twentieth** day after its publication in the Official Journal of the European **Communities**.

This Directive shall enter into force **on the twentieth** day after its publication in the Official Journal of the European **Union**.

Amendment 23

Annex

The Annex is deleted.

Tuesday 13 January 2004

P5_TA(2004)0013

Euratom loans for nuclear power stations *

European Parliament legislative resolution on the proposal for a Council decision amending Decision 77/270/Euratom empowering the Commission to issue Euratom loans for the purpose of contributing to the financing of nuclear power stations (COM(2002) 456 — C5-0570/2002 — 2002/0246(CNS))

(Consultation procedure)

The European Parliament,

- having regard to the Commission proposal to the Council (COM(2002) 456) ⁽¹⁾,
 - having regard to Articles 1, 2, 172 and 203 of the Euratom Treaty, pursuant to which the Council consulted Parliament (C5-0570/2002),
 - having regard to Rule 67 of its Rules of Procedure,
 - having regard to the report of the Committee on Industry, External Trade, Research and Energy and the opinion of the Committee on the Environment, Public Health and Consumer Policy (A5-0443/2003),
1. Approves the Commission proposal as amended;
 2. Regrets not being consulted on the Commission's proposal (COM(2002) 457) ⁽²⁾;
 3. Calls on the Commission to alter its proposal accordingly, pursuant to Article 119, second paragraph, of the Euratom Treaty;
 4. Calls on the Council to notify Parliament if it intends to depart from the text approved by Parliament;
 5. Asks the Council to consult Parliament again if it intends to amend the Commission proposal substantially, particularly if Commission proposals are to be merged to form a single document (COM(2002) 456 and COM(2002) 457);
 6. Instructs its President to forward its position to the Council and the Commission.

TEXT PROPOSED
BY THE COMMISSION

AMENDMENTS
BY PARLIAMENT

Amendment 1

Recital 6

(6) Priority should be given to projects related to **nuclear safety and efficiency of installations** in service or under construction, **as well as** to the decommissioning of installations.

(6) Priority should be given to projects related to **improving the safety of nuclear power plants** in service or under construction, **to installations in the nuclear fuel cycle**, to the decommissioning of installations, **as well as to the establishment of facilities for storage and disposal of radioactive waste and spent fuel.**

⁽¹⁾ OJ C 45 E, 25.2.2003, p. 194.

⁽²⁾ OJ C 45 E, 25.2.2003, p.201.

Tuesday 13 January 2004

TEXT PROPOSED
BY THE COMMISSIONAMENDMENTS
BY PARLIAMENT

Amendment 2

Recital 6a (new)

(6a) Research projects and pilot installations for the safe final storage of nuclear waste should be supported.

Amendment 3

Recital 6b (new)

(6b) These standards should reflect the state of the art.

Amendment 4

Recital 6c (new)

(6c) Transitional provisions should be drawn up fixing deadlines for the decommissioning of existing nuclear power stations which cannot be upgraded cost-effectively.

Amendment 5

Recital 6d (new)

(6d) The same conditions should apply to all forms of energy (e.g. renewable energy) and an end should be put to the distortions of competition ensuing from support for nuclear energy.

Amendment 6

Recital 6e (new)

(6e) Funding of projects for reactors which cannot be upgraded to internationally acceptable safety standards at reasonable cost should be confined to short-term safety improvements which prove necessary in order to maintain the reactors in operation.

Amendment 7

Recital 6f (new)

(6f) Funding should not be provided for reactors which cannot be upgraded to internationally acceptable safety standards at reasonable cost and in respect of which a timetable has been set for the definitive cessation of operations.

Tuesday 13 January 2004

TEXT PROPOSED
BY THE COMMISSIONAMENDMENTS
BY PARLIAMENT

Amendment 8

Recital 6g (*new*)

(6g) Funding should not be granted for projects in third countries which are in breach of or fail to comply with their international commitments to strengthen nuclear safety and decommission their reactors which cannot be upgraded to internationally acceptable safety standards at reasonable cost.

Amendment 9

ARTICLE 1, PARAGRAPH 1

Article 1, paragraph 1, introduction (*Decision 77/270/Euratom*)

The Commission is hereby empowered to contract, on behalf of the European Atomic Energy Community (Euratom), and within the limits fixed by the Council, borrowings, the proceeds of which will be allocated in the form of loans to finance, **within the Community, investment projects relating to the industrial production of electricity in nuclear power stations and to industrial installations in the nuclear fuel cycle. The Commission shall also be empowered to contract, within the same limits, borrowings, the proceeds of which will be allocated in the form of loans to finance projects to increase the safety and efficiency of the nuclear power stations** within the Member States **or the non-member countries listed in the Annex to Decision 94/179/Euratom.** For these projects to be eligible they must:

The Commission is hereby empowered to contract, on behalf of the European Atomic Energy Community (Euratom), and within the limits fixed by the Council, borrowings, the proceeds of which will be allocated in the form of loans to finance **projects to increase nuclear safety** within the Member States, **Central and Eastern European countries, the Russian Federation, the Republic of Armenia and Ukraine.** For these projects to be eligible they must:

Amendment 10

ARTICLE 1, PARAGRAPH 1

Article 1, subparagraph 1, indent 2a (*new*) (*Decision 77/270/Euratom*)

- **not be related to third countries which are in breach of or fail to comply with their international commitments to strengthen nuclear safety and decommission their reactors which cannot be upgraded to internationally acceptable safety standards at reasonable cost.**

Amendment 11

Annex paragraph 2.4.1.1, subparagraph 2a, point a) (*new*)

- a) **Funding of projects for reactors which cannot be upgraded to internationally acceptable safety standards at reasonable cost should be confined to short-term safety improvements which prove necessary in order to maintain them in operation.**

Tuesday 13 January 2004

TEXT PROPOSED
BY THE COMMISSIONAMENDMENTS
BY PARLIAMENT

Amendment 12

Annex paragraph 2.4.1.1, subparagraph 2a, point b) (new)

- b) Funding should not be provided for reactors which cannot be upgraded to internationally acceptable safety standards at reasonable cost and in respect of which a timetable has been set for the definitive cessation of operations.**

Amendment 13

Annex paragraph 2.4.1.1, subparagraph 2a, point c) (new)

- c) Funding will not be granted for projects in third countries which are in breach of or fail to comply with their international commitments to strengthen nuclear safety and decommission their reactors which cannot be upgraded to internationally acceptable safety standards at reasonable cost.**

P5_TA(2004)0014

Arctic agriculture**European Parliament resolution on Arctic agriculture (2003/2051(INI))***The European Parliament,*

- having regard to the goal set out in the Presidency Conclusions of the Luxembourg European Council on 12 December 1997, according to which 'European agriculture must, as an economic sector, be versatile, sustainable, competitive and spread throughout European territory, including regions with specific problems',
- having regard to the Presidency Conclusions of the Berlin European Council on 24 and 25 March 1999 (point 20), which sought to ensure that agriculture would be multifunctional, sustainable, competitive, and spread throughout Europe, including regions with specific problems, and, in addition, capable of maintaining the countryside, conserving nature, and making a key contribution to the vitality of rural life,
- having regard to the Presidency Conclusions of the Brussels European Council on 24 and 25 October 2002 (point 12), which stated that the needs of producers living in the disadvantaged regions of the present European Union should be safeguarded and that multifunctional agriculture would be maintained in all areas of Europe, in accordance with the conclusions of the 1997 Luxembourg European Council and the 1999 Berlin European Council,
- having regard to its resolution of 9 March 1999 on a new strategy for agriculture in arctic regions⁽¹⁾,

⁽¹⁾ OJ C 175, 21.6.1999, p. 27.

Tuesday 13 January 2004

- having regard to its position of 5 June 2003 on the proposal for a Council regulation establishing common rules for direct support schemes under the common agricultural policy and support schemes for producers of certain crops ⁽¹⁾,
- having regard to its position of 5 June 2003 on the proposal for a Council regulation amending Regulation (EC) No 1257/1999 on support for rural development from the European Agricultural Guidance and Guarantee Fund (EAGGF) and repealing Regulation (EC) No 2826/2000 ⁽²⁾,
- having regard to its positions of 5 June 2003 on the proposal for a Council regulation amending Regulation (EC) No 1255/1999 on the common organisation of the market in milk and milk products ⁽³⁾ and on the proposal for a Council regulation establishing a levy in the milk and milk-products sector ⁽⁴⁾,
- having regard to Rule 163 of its Rules of Procedure,
- having regard to the report of the Committee on Agriculture and Rural Development (A5-0463/2003),
 - A. whereas the cold climate is a permanent competitive handicap in the EU's subarctic farming regions, where the effective temperature sum in the growing season ranges from 400 °C to 1 300 °C; whereas the areas in question comprise Finland, the parts of Sweden north of Stockholm, parts of Scotland and the Alps and the northern coast of Estonia,
 - B. whereas the short growing and grazing season resulting from the cold climate entails additional costs where arable farming and stockbreeding are concerned,
 - C. whereas for every 100 °C drop in the temperature sum, yield falls by about 400 kg per hectare,
 - D. whereas the range of crops suitable for growing in the EU's northern regions is narrow and the related processing costs are high,
 - E. having regard to the higher transport and processing costs caused by long distances and low population density,
 - F. whereas direct support for arable crops under the common agricultural policy is less generous in the EU's northern regions, even though the need is greater; whereas, in addition, the yield obtainable from the usable plant varieties is appreciably lower and the market value per kilogramme lower,
 - G. whereas, when EU enlargement goes ahead, ten new Member States will join, each with different needs as regards agricultural support; whereas the problems for Community agricultural policy will be exacerbated by the broad spectrum of farming areas differing in social terms and in terms of natural conditions and economic imperatives,
 - H. whereas the problems of the countryside in northern regions are being aggravated by the flight from the land and cuts in services; whereas agriculture still has an important role to play in preventing the depopulation of remote farming areas; whereas lost farming jobs are not easy to replace,
 - I. whereas, in the reform of the common agricultural policy, greater emphasis has been laid on rural development measures; whereas rural development measures will in future become more important in guaranteeing the prerequisites for viable agriculture and in preventing the depopulation and maintaining the vitality of the countryside, especially in subarctic northern regions,

⁽¹⁾ P5_TA(2003)0256.

⁽²⁾ P5_TA(2003)0257.

⁽³⁾ P5_TA(2003)0262.

⁽⁴⁾ P5_TA(2003)0261.

Tuesday 13 January 2004

- J. whereas the northernmost parts of Finnish and Swedish Lapland do not have their own specialities apart from reindeer meat; whereas it is impossible to expand reindeer herding, because the number of reindeer cannot exceed the capacity of the winter pastures,
- K. whereas reindeer herding is an important means of livelihood for the Sami, northern Europe's only aboriginal people,
- L. whereas safe, high-quality foodstuffs are the fundamental starting point for a consumer-based food economy,
- M. having regard to the high educational and skill levels of farmers in northern farming regions,
- N. having regard to the high standard of environmental protection and the purity of water and the soil,
- O. having regard to the family farming model, also typically found in northern Europe, which guarantees farm animal health and welfare and enables crops to be grown using virtually no pesticides,
- P. whereas the Union is aiming to promote the use of renewable energy sources and the sustainable use of non-renewable natural resources,
- Q. whereas a thriving agricultural sector in turn helps to preserve the natural and man-made landscape,
- R. welcoming the fact that silage grass aid and the drying allowance were introduced under the common agricultural policy in 2000; whereas, however, these measures are insufficient to offset the problems caused by permanent climatic handicaps,
- S. welcoming the fact that the Union provides aid for less favoured areas (LFAs); whereas, however, the EU finances that aid only in part; whereas support for less favoured areas will become more important in future in ensuring the survival of agriculture and preventing rural depopulation when the common agricultural policy switches to an aid system decoupled from production,
- T. whereas in the common agricultural policy the Community has failed to take the problems of northern farming regions sufficiently into account; whereas, on the contrary, it has proved necessary in some countries to resort to supplementary aid payable from national resources,
- U. whereas the sustainable economic use of forests is of considerable significance to subarctic rural areas as a source of employment opportunities,
1. Considers it essential to realise the goals charted in the conclusions of the European Councils in December 1997 in Luxembourg, March 1999 in Berlin, and October 2002 in Brussels, according to which agriculture has to be multifunctional, sustainable, competitive, and spread throughout Europe, including regions with specific problems; considers that agriculture in that form can, in addition, help to preserve the countryside and protect the natural environment and can make a key contribution to the vitality of rural life and to safeguarding the fragile social structure of rural areas;
2. Believes that the rules governing international agricultural trade have to recognise more clearly that production conditions vary in different parts of the globe and farming tasks are not confined to food production alone;

Tuesday 13 January 2004

3. Calls on the IGC to include a provision in the constitutional treaty recognising the permanent special status of sparsely populated regions in difficulty and enabling them to develop;
 4. Notes that changing the common agricultural policy is a task requiring a long time-frame, in which a fair-minded approach should be brought to bear in order to safeguard food production, not least in subarctic areas; points out that food production in those areas is impossible unless agricultural production pays;
 5. Urges the Commission, whenever it produces a significant agricultural proposal, likewise to make regional impact assessments specifying the effects of the proposal on, among other things, subarctic agriculture;
 6. Takes the view that direct aids under the common agricultural policy, based on the 1992 decision to reform agricultural and rural development policy, were not designed to allow for the special conditions in subarctic farming areas, although this would have been necessary once Austria, Sweden, and Finland joined the Union in 1995;
 7. Believes that, for as long as subarctic northern regions are not taken into account for direct aid purposes, provision should be made in rural development measures for northern regions, which pose difficulties, especially from the point of view of their natural conditions; considers that measures should likewise be possible to tailor to northern conditions;
 8. Believes that when the common policy for the countryside is reformed in the future, the criteria to observe should be such as to be suitable for northern farming regions and ensure that profitable agriculture and a sufficient income level will be objectives eligible for Community funding;
 9. Considers it important that public services should also operate in sparsely populated northern farming regions;
 10. Proposes that the Commission lay down clear definitions and criteria based on climate, the length of the growing season, low population density, and outlying position so as to ensure that permanent handicaps can be taken into account when support schemes are drawn up;
 11. Considers it important that subarctic farming areas should have the possibility of producing food locally, among other things for environmental protection and animal welfare reasons;
 12. Believes that agricultural entrepreneurship and motivation to work must be kept alive by maintaining the necessary linkage to production;
 13. Calls on the Commission to determine whether import protection is necessary as far as reindeer herding is concerned and stresses that, with the aid of Community support, reindeer herding could be developed as the local inhabitants so decide;
 14. Considers it important to promote research on subarctic agriculture and calls for such research projects to be funded under the EU framework programme;
 15. Considers that it should be possible to implement an appropriate policy on beasts of prey in a sustainable way at national level in order to enable traditional occupations to be carried on and to protect the safety of persons;
 16. Considers it important to foster entrepreneurship beyond traditional agriculture and forestry; notes that such activities generate additional income but cannot guarantee a sufficient livelihood unless farming pays;
 17. Instructs its President to forward this resolution to the Council and the Commission.
-

Tuesday 13 January 2004

P5_TA(2004)0015

The operating framework for the European Regulatory Agencies

European Parliament resolution on the communication from the Commission: 'The operating framework for the European regulatory agencies' (COM(2002) 718 — 2003/2089(INI))

The European Parliament,

- having regard to the Commission Communication (COM(2002) 718),
 - having regard to the White Paper on 'European Governance' (COM(2001) 428)⁽¹⁾, in particular Chapter III.3.2,
 - having regard to Rules 47(2) and 163 of its Rules of Procedure,
 - having regard to the report of the Committee on Constitutional Affairs and the opinions of the Committee on Budgets and the Committee on Legal Affairs and the Internal Market (A5-0471/2003),
- A. pointing out that the general legislative framework for 'executive' agencies entrusted with certain tasks in the management of Community programmes has been established in the form of a regulation adopted following consultation of the European Parliament, namely in Council Regulation (EC) No 58/2003 of 19 December 2002 laying down the statute of executive agencies⁽²⁾, thereby providing the Commission with a valuable new management tool,
- B. noting that the establishment and implementation of the budget of all Community bodies which have legal personality and their own budget, both future executive agencies and all existing agencies, are henceforth covered by a specific regulation adopted following consultation of the European Parliament, namely Commission Regulation (EC, Euratom) No 2343/2002 of 23 December 2002 on the framework Financial Regulation for the bodies referred to in Article 185 of Council Regulation (EC, Euratom) No 1605/2002 on the Financial Regulation applicable to the general budget of the European Communities⁽³⁾, and that under this regulation, discharge for the implementation of the budget is, in all cases, given individually by Parliament to the agency's director,
- C. noting, further, that the basic instruments relating to the existing agencies have been amended by Regulations (EC) No 1641 to 1655/2003⁽⁴⁾ so as to make the principle of the right of access to documents — provided for in Article 155 of the Treaty and further stipulated by Regulation (EC) No 1049/2001 of 30 May 2001⁽⁵⁾— applicable thereto and that a legislative regulatory framework for the externalisation of tasks incumbent upon the Commission in the form of agencies is thus finally beginning to take shape, and that certain key demands made by Parliament have been taken into account in this context,
- D. whereas it is essential to rationalise and standardise the structure of the present and future agencies in the interests of clarity, transparency and legal security, and in the light of a prospective Union with 25 Member States or more,
- E. whereas an urgent review of the present agencies is required, particularly as regards the extent to which their activities are worthwhile, the transparent performance of their duties, staff recruitment and promotion policy, appointments to posts and cost management at the agencies,

⁽¹⁾ OJ C 287, 12.10.2001, p.1.

⁽²⁾ OJ L 11, 16.1.2003, p. 1.

⁽³⁾ OJ L 357, 31.12.2002, p. 72.

⁽⁴⁾ OJ L 245, 29.9.2003.

⁽⁵⁾ OJ L 145, 31.5.2001, p. 43.

Tuesday 13 January 2004

- F. whereas the current negotiations on the remit, structure and seat of the European Armaments Agency illustrate the limits of the intergovernmental approach,
- G. pointing out that Parliament, in paragraphs 16 to 18 of its resolution of 29 November 2001 on the White Paper on European Governance⁽¹⁾, took up a position on 'autonomous regulatory authorities' stressing, inter alia, that the creation of new autonomous agencies presupposes that highly specialised scientific or technical expertise is required, that it must not lead to a reduction in judicial scrutiny by the Commission or to any watering down of the Commission's political accountability to Parliament and the Council,
- H. whereas the assessments to be made when setting up new agencies must be based on the most stringent criteria as regards the extent to which the agencies' activities would be proper and worthwhile, the decisions relating to the location of the agency, transparency in terms of tasks, appointments to posts and cost management,
- I. noting that the Commission also recognises in chapter 3 of its Communication, that it will always be for the legislator to decide on a case-by-case basis whether an agency should be created, how it should be organised and its relations with the institutions and the operators concerned,
- J. pointing out, further, that Parliament, in its resolution of 17 December 2002 on the typology of acts and the hierarchy of legislation in the European Union⁽²⁾ took the view that implementing powers should rest with the Commission and, within their respective territorial jurisdictions, the Member States; it also added, however, that the legislative authority constituted by the Council and Parliament may delegate to a specialist agency or self-regulating body the task of laying down certain technical measures to implement laws, that the procedure for the adoption and scrutiny of delegated regulations should differ depending on whether the legislative authority confers responsibility for that task on the Commission or on a separate authority, a specialist agency or a self-regulating body, but that such a measure would be submitted to the two arms of the legislative authority in the same way as a Commission implementing measure (paragraphs 13, 16 and 17 of its resolution of 17 December 2002),
- K. pointing out that the draft Treaty establishing a Constitution for Europe does not include a legal basis for the setting-up of agencies, but instead makes explicit reference to reviewing the legality of acts of bodies or agencies of the Union intended to produce legal effects vis-à-vis third parties, stipulating, inter alia, that acts setting up bodies and agencies of the Union may lay down specific conditions and arrangements concerning actions brought by natural or legal persons against acts of these bodies or agencies; pointing out, likewise, that the draft treaty also provides that bodies and agencies must respect the principles of transparency of the proceedings of Union institutions and the protection of personal data,
- L. pointing out that the Commission, both in its Communication and previously in the White Paper on Governance, focuses on future 'regulatory' agencies, i.e. agencies 'required to be actively involved in exercising the executive function by enacting instruments which contribute to regulating a specific sector' (page 4 of its Communication), but does not mention the fate of existing agencies and leaves aside agencies established outside the framework of the EC Treaty; whereas such an approach does not appear inappropriate in the context of reflection on new forms of 'governance' which may be introduced 'without departing from the law as it stands', it must not disregard, however, the fact that older agencies and those created on the basis of the EU Treaty also merit consideration and, as a matter of urgency, require proposals for modification in order to bring them into line with a common approach to be agreed between the institutions,
- M. noting that the Commission, whilst being open to the dialogue with Parliament and the Council and aware of the needs of individual cases, refers in its communication to certain 'basic principles on which the system of the Union is founded' and refers to a number of desiderata regarding their

⁽¹⁾ OJ C 153 E, 27.6.2002, p. 314.

⁽²⁾ P5_TA(2002)0612.

Tuesday 13 January 2004

functioning which it believes should be respected when future agencies are created, such as the balance of powers between the institutions, the principle of the unity and integrity of the executive function at European level and the principle of ultimate political responsibility of the Commission,

N. confirming its attachment to the principle of democratic legitimacy of the Union's legislative activity (paragraphs 8 to 10 of the resolution of 29 November 2001), and whereas regulatory agencies as defined by the Commission — provided that they comply with the requirements of transparency and accountability — may provide a means by which Community institutions and the Member States, as well as the elements which they comprise, can participate in a new form of administration which will enable the Commission to refocus its resources on its primary tasks, increase the credibility of the regulatory process in a given sector and thereby contribute to 'multiple-level-governance',

1. Welcomes the Commission Communication following up the White Paper on Governance as a first step towards greater clarity in relation to the Commission's position in this field;

2. Calls on the Commission to define the framework conditions for the use of regulatory agencies by adopting a framework regulation, as it has done for 'executive' agencies, which should be preceded by an interinstitutional agreement spelling out common guidelines;

3. Notes that the Commission, in its White Paper and Communication, has set out the basic conditions for the creation of regulatory agencies whilst stressing, in particular, that they may not be entrusted with a decision-making power which the Treaty confers directly on the Commission, or responsibility in areas in which they would be called upon to exercise any powers of political appraisal, and stresses, further, that the Commission starts from the principle that 'these agencies may (...) be empowered to adopt individual decisions in a clearly specified area of Community legislation but not legislative measures of general application' (point 4.2 of the Communication); consequently, suggests that it might be preferable to avoid the term 'regulatory' so as to rule out any misunderstanding;

Creation of the agencies

4. Stresses that the creation of such agencies, in contrast to 'executive' agencies, requires a legislative act and should be confined to the normal legislative procedure, i.e. the codecision procedure, and that the use of the procedure under Article 308 of the EC Treaty should be reserved for strictly exceptional cases; welcomes the change in the Commission's recent practice in this context;

5. Considers that the autonomy of the new regulatory agencies should be exercised under the direct supervision of the Commission and monitored politically by the European Parliament on the basis of the powers vested in it by the Treaty;

6. Takes the view that decisions on the location of any future regulatory agencies should form an integral and vital part of the basic instruments establishing them and that, in accordance with criteria on transparency, efficiency, and scrutiny of costs, the seats of the agencies should be near those of the authorities which are to supervise them;

7. Stresses that the choice in favour of creating an agency must be justified in each case on the basis of an external cost-benefit assessment, taking account of the nature of the tasks to be allocated, the need for non-statutory specialised staff and the desired degree of decision-making autonomy;

8. Insists that use be made of sunset clauses whenever the continuity of the agency's tasks is not guaranteed or whenever its tasks, by nature, are limited in time;

Tuesday 13 January 2004

9. Notes that the basic instrument of an agency must guarantee that the agency respects the institutions' obligations as regards access to documents and the protection of personal data, as well as the rules on protection against fraud and protecting the Community's financial interests;
10. Observes that the Financial Regulation and the Staff Regulations should apply to the regulatory agencies;
11. Takes the view that, if an agency's creation is the result of a codecision procedure between Parliament and the Council on a proposal from the Commission, it should not be considered as calling into question the principle of the balance of powers between the institutions as regards the distribution of functions, a principle which, given the needs linked to the evolution of the Community system, must be seen from a dynamic perspective;
12. Calls on the Commission, prior to submitting the legislative proposal concerning the setting-up of these agencies, to submit an assessment of the budgetary implications and the viability of such agencies in comparison with centralised and similar activities and to make specific proposals for restructuring administrative and staff resources with a view to avoiding additional operational costs;

Functioning of the agencies

13. Notes that, among the 15 existing agencies based on the EC Treaty, no fewer than 12 types of structure can be distinguished and 10 variants in the composition of the administrative board, which comprises at least one representative for each Member State in 10 cases; notes, further, that the head of the agency's executive is appointed by the administrative board on a proposal from the Commission in seven cases, but is in other cases appointed by the Commission on a proposal from the administrative board or by the Council on the basis of a list of candidates drawn up by the administrative board or by the Commission;
14. Takes the view that such a multitude of different forms is neither transparent nor comprehensible and, even bearing in mind the differences in tasks, is not justified;
15. Supports, therefore, the Commission's efforts aimed at establishing a limited number of models, at least for future agencies responsible for contributing to the regulation of a particular sector, and agrees that a distinction should be drawn in this context only between 'decision-making' agencies, which are empowered to enact legal instruments binding on third parties, and 'executive' agencies which have no such power;
16. Takes the view that the structure of future agencies may be differentiated in line with the degree of communitarisation in a specific area, and that it must aim to establish clear chains of responsibility whilst guaranteeing that the agency enjoys the necessary autonomy and credibility;
17. Takes the view that the structure of current and future agencies merits in-depth consideration at interinstitutional level and wishes already to make the following contribution:
 - (a) the structure of the agency, i.e. the composition and respective tasks of its bodies, must, first of all, correspond to the demands of its functioning so as to guarantee, in the case of a 'decision-making' agency, that it is capable of ensuring appropriate and immediate reaction;
 - (b) in this context, a 'dualistic' structure comprising a permanent executive body and a programming and monitoring body, meeting only periodically, is preferable in the majority of cases to a 'monistic' structure;
 - (c) the institutions' involvement in the appointment of the members of each body must reflect their principal role in the Community system;
 - (d) given that the Commission bears ultimate political responsibility for the management of Community activities, it appears appropriate to leave the task of selecting and appointing the executive body,

Tuesday 13 January 2004

generally the director, to the Commission. Parliament and its responsible committees should be consulted prior to the appointment of the director of the Agency. The nominee(s) should be invited to appear before the competent parliamentary committee to make a statement and answer questions. Following this hearing on intended priorities and plans for the agency and on the committee's recommendation, Parliament reserves its right to deliver an opinion on the proposed candidate. This role of 'ex-ante political scrutiny' played by Parliament would be the natural complement to the 'ex-post' political scrutiny in the form of the discharge for the implementation of the budget. The Commission, finally, would retain the right to suspend or dismiss the director in the event of serious misconduct;

- (e) as regards the monitoring body, normally termed the 'administrative board', the prime concern must be to keep this body at a manageable size, while seeking to ensure balanced representation of men and women, and guarantee a high level of expertise. The formula envisaged by the Commission — six members appointed by the Commission itself, six members appointed by the Council and three members with no voting rights representing the interested parties — is one option. A promising variant already used and offering more favourable conditions for consensus among the institutions is to entrust the Commission with the task of drawing up a comprehensive list of candidates on which Parliament may express its opinion and on the basis of which the Council shall make the appointments, except for one member directly appointed by the Commission⁽¹⁾;
- (f) ways of including the sectors affected or specific expertise must be taken into consideration in the case of a small administrative board by making provision for an advisory committee comprising members from all Member States;
- (g) if a structure designed according to this model is adopted, however, Parliament's direct participation in the agency's bodies in the form of members of the administrative board appointed by Parliament, as provided for in the three existing agencies, does not appear indispensable for Parliament properly to carry out its task of political scrutiny, and should be avoided;
- (h) pending the entry into force of the Treaty establishing a Constitution for Europe, the composition of the administrative board and the relationship between the representation of the Commission and the Member States thereon could be based on four standard models, depending on whether the agency's remit is based on exclusive competences of the Union, shared competences, the CFSP or concerned fields where the Union plays a supporting role;

Scrutiny of the agencies

18. Takes the view that scrutiny of the legality of the agency's legal acts must be dealt with clearly and comprehensibly in the instrument establishing that agency, which, depending on the nature of the agency's tasks, provides that the Court of Justice is responsible for ruling on appeals made against acts of the agency under the conditions laid down in Article 230 of the EC Treaty, that administrative complaints against the agency's acts may be brought before the Commission and that an appeal for annulment might then be brought against the Commission's decision before the Court of Justice. Alternatively, the instrument establishing the agency may stipulate that the agency's acts are, firstly, subject to an internal appeal before independent boards of appeal and that their decisions may then be submitted to the Court's consideration;

19. Takes the view that, in addition to the obligation to submit accounts within the framework of the annual discharge procedure, it is indispensable to carry out a regular external evaluation of each agency's activity and to submit a report thereon to Parliament, the Commission and the Council;

⁽¹⁾ See in this connection Regulation (EC) No 178/2002 of the European Parliament and of the Council of 28 January 2002 laying down the general principles and requirements of food law, establishing the European Food Safety Authority and laying down procedures in matters of food safety, OJ L 31, 1.2.2002, pp. 1—24.

Tuesday 13 January 2004

20. Stresses that, in brief, external scrutiny of the agencies must comprise the following elements: judicial supervision as described, financial and budgetary control exercised jointly by Parliament, the Council and the Court of Auditors when the budget is drawn up and adopted and during the discharge procedure, political scrutiny exercised primarily by Parliament, in particular through informal monitoring of the agency's work by the specialised parliamentary committees, scrutiny by the European Ombudsman in order to ascertain that administration is in accordance with sound management principles, and supervision by the agency's 'users' and the general public;

21. Recalls that the regulations concerning investigations conducted by the European Anti-Fraud Office (OLAF) ⁽¹⁾ provide for the Office to open and conduct administrative investigations within the institutions, bodies or agencies established by or on the basis of the EC and Euratom Treaties, and considers it vital that the agencies should be required to submit to the investigative powers of the Office under the same conditions as the institutions;

22. Encourages its standing committees whose powers and responsibilities concern the agencies to intensify and develop their methods for the informal monitoring of agencies' activities by appointing permanent rapporteurs, examining annual work programmes and reports, sending the rapporteur or delegations to visit the agency or inviting the director to committee meetings;

23. Calls upon the Conference of Committee Chairmen to review cooperation among the committees in this area and, in particular, cooperation among the specialised committees on the one hand and the Committee on Budgets and the Committee on Budgetary Control on the other, and to update the 'guidelines' adopted in July 1998;

Other agencies

24. Stresses that the Commission should conduct a review of all the existing agencies with a view to proposing possible amendments to their basic instruments so as to adapt them to the models to be defined for the purposes of the future regulatory framework;

25. Notes that the legislative environment of the agencies is changing with the draft Treaty establishing a Constitution for Europe, particularly with the disappearance of the pillars and the introduction of a hierarchy of legislation making provision for delegated regulations. It will consequently be necessary to check whether the differences between agencies based on the EC Treaty and those based on the EU Treaty are still justified, and suggests to the Commission that it consider this question as of now;

26. Recalls that the Charter of Fundamental Rights incorporated in the draft Treaty establishing a Constitution for Europe provides for the establishment of an authority to monitor compliance with the rules guaranteeing the right to the protection of personal data;

27. Points out, finally, in this context, the need to codify the law governing administrative procedures so as to provide greater clarity and legal security to the general public as well as to those involved in these procedures, including the European agencies;

*

* *

28. Instructs its President to forward this resolution to the Commission, the Council and the governments of the Member States.

⁽¹⁾ Regulation (EC) No 1073/1999 of the European Parliament and of the Council, OJ L136, 31.5.1999, p. 1, and Council Regulation (Euratom) No 1074/1999, OJ L 136, 31.5.1999, p. 8.

Wednesday 14 January 2004

(2004/C 92 E/03)

MINUTES**PROCEEDINGS OF THE SITTING**

IN THE CHAIR: Pat COX

*President***1. Opening of sitting**

The sitting opened at 09.05.

2. Texts of agreements forwarded by the Council

The Council had forwarded certified true copies of the following documents:

- Agreement between the European Community and Malta on conformity assessment and acceptance of industrial products (ACAA);
- Agreement between the European Community and the Government of the Russian Federation amending the agreement between the European Coal and Steel Community and the Government of the Russian Federation on trade in certain steel products of 9 July 2002.

3. Programme of the Irish presidency (statement followed by debate)

Statement by the President-in-Office of the Council — Programme of the Irish presidency

Bertie Ahern (President-in-Office of the Council) made the statement.

Romano Prodi (President of the Commission) spoke.

The following spoke: Hans-Gert Poettering, on behalf of the PPE-DE Group, Enrique Barón Crespo, on behalf of the PSE Group, Graham R. Watson, on behalf of the ELDR Group, Francis Wurtz, on behalf of the GUE/NGL Group, Daniel Marc Cohn-Bendit, on behalf of the Verts/ALE Group, Gerard Collins, on behalf of the UEN Group, Jens-Peter Bonde, on behalf of the EDD Group, Ian R.K. Paisley, Non-attached Member, Avril Doyle, Proinsias De Rossa, Paolo Costa, Jonas Sjöstedt, Nelly Maes, William Abitbol, Georges Berthu, Jonathan Evans, Klaus Hänsch, Andrew Nicholas Duff, Ilda Figueiredo, Patricia McKenna, Nigel Paul Farage, Marco Pannella, Antonio Tajani, John Hume, Lone Dybkjær, Gerardo Galeote Quecedo, Gary Titley, Carles-Alfred Gasòliba i Böhm, Margie Sudre, Martin Schulz, Jules Maaten, Guido Bodrato, Margrietus J. van den Berg, José Ignacio Salafranca Sánchez-Neyra, Robert Goebbels, Othmar Karas, Pasqualina Napolitano, Elmar Brok, Helle Thorning-Schmidt, John Walls Cushnahan, Johannes (Hannes) Swoboda, Marjo Matikainen-Kallström, Geoffrey Van Orden, Armin Laschet, Giorgio Lisi, John Bowis, Peter Liese, Per-Arne Arvidsson, Bertie Ahern and Romano Prodi.

The debate closed.

Wednesday 14 January 2004

IN THE CHAIR: David W. MARTIN

Vice-President

4. Voting time

Details of voting (amendments, separate and split votes, etc.) appear in Annex 1 to the Minutes.

Robert Atkins complained about the late start of Voting Time and asked for the matter to be referred to the President of Parliament (the President undertook to do so).

4.1. Tuna (Rule 110a) (vote)

Report on the tuna fleet and industry: situation and future prospects in the EU and worldwide [2003/2017(INI)] — Committee on Fisheries.

Rapporteur: Daniel Varela Suanzes-Carpegna
(A5-0412/2003)

(Simple majority)

(Voting record: Annex 1, Item 1)

MOTION FOR A RESOLUTION

Adopted by single vote (P5_TA(2004)0016)

4.2. Detergents *II (vote)**

Recommendation for second reading on the common position adopted by the Council with a view to adopting a European Parliament and Council regulation on detergents [10595/2003 — C5-0521/2003 — 2002/0216(COD)] — Committee on the Environment, Public Health and Consumer Policy.

Rapporteur: Mauro Nobilia (A5-0455/2003)

(Qualified majority)

(Voting record: Annex 1, Item 2)

COMMON POSITION OF THE COUNCIL

Declared approved as amended (P5_TA(2004)0017)

4.3. Services of general interest (vote)

Report on the Green Paper on services of general interest [COM(2003) 270 — 2003/2152(INI)] — Committee on Economic and Monetary Affairs.

Rapporteur: Philippe A.R. Herzog
(A5-0484/2003)

(Simple majority)

(Voting record: Annex 1, Item 3)

MOTION FOR A RESOLUTION

Adopted (P5_TA(2004)0018)

Wednesday 14 January 2004

The following spoke:

- Philippe A.R. Herzog (rapporteur) asked before the beginning of the vote pursuant to Rule 147 that, given the foreseeably complex nature of the vote, a brief period of reflection be allowed before the vote on the motion for a resolution as a whole (the President agreed to this, after establishing that there were no objections; he pointed out that the other items to be voted would be put to the vote in the meantime).
- Philippe A.R. Herzog moved an oral amendment to amendment 21 which was not considered as more than 32 Members opposed it.
- Philippe A.R. Herzog pointed out a mistake in the French version of amendment 103 which had originally been tabled in English as confirmed by the President.
- Werner Langen pointed out that the PPE-DE Group had requested a split vote on amendment 36 and protested on two occasions at the fact that the amendment had been put to a single vote (the President replied that he had received no request for a split vote on the amendment).
- James L.C. Provan queried whether the request made by the rapporteur was in agreement with the Rules (the President confirmed that it was).
- Hans-Gert Poettering asked, after the vote on the report by Proinsias De Rossa (A5-0355/2003), that the final vote on the report by Philippe A.R. Herzog be held at that point. Daniel Marc Cohn-Bendit and the rapporteur spoke on this request, the latter expressing his agreement and recommending adoption of the motion for a resolution.

4.4. Illegal trade in bushmeat (vote)

Report on the protection and conservation of Great Apes and other species endangered by the illegal trade in bushmeat (Petition 461/2000) [2003/2078(INI)] — Committee on Petitions.

Rapporteur: Proinsias De Rossa
(A5-0355/2003)
(Simple majority)
(Voting record: Annex 1, Item 4)

MOTION FOR A RESOLUTION

Adopted (P5_TA(2004)0019)

The following spoke:

- Proinsias De Rossa (rapporteur) pointed out before the vote that his report was based on a petition.

4.5. Health issues and poverty reduction (vote)

Report on the Commission communication on the update of the EC Programme for Action: accelerated action on HIV/AIDS, malaria and tuberculosis in the context of poverty reduction; outstanding policy issues and future challenges [COM(2003) 93 — 2003/2146(INI)] — Committee on Development and Cooperation.

Rapporteur: Ulla Margrethe Sandbæk
(A5-0474/2003)
(Simple majority)
(Voting record: Annex 1, Item 5)

Wednesday 14 January 2004

MOTION FOR A RESOLUTION

Adopted (P5_TA(2004)0020)

The following spoke:

— John Alexander Corrie moved an oral amendment to recital L, which was agreed to.

4.6. NEPAD (vote)

Report on the New Partnership for Africa's Development (NEPAD) [2003/2106(INI)] — Committee on Development and Cooperation.

Rapporteur: Jean-Pierre Bébéar

(A5-0329/2003)

(Simple majority)

(Voting record: Annex 1, Item 6)

MOTION FOR A RESOLUTION

Adopted (P5_TA(2004)0021)

The following spoke:

— Jean-Pierre Bébéar (rapporteur) moved an oral amendment to amendment 5, which was agreed to.

4.7. Cultural diversity (vote)

Report on preserving and promoting cultural diversity: the role of the European regions and international organisations such as UNESCO and the Council of Europe [2002/2269(INI)] — Committee on Culture, Youth, Education, the Media and Sport.

Rapporteur: Christa Prets

(A5-0477/2003)

(Simple majority)

(Voting record: Annex 1, Item 7)

MOTION FOR A RESOLUTION

Adopted (P5_TA(2004)0022)

4.8. Equal opportunities for women and men in the European Union (vote)

Report on equal opportunities for women and men in the European Union [2003/2011(INI)] — Committee on Women's Rights and Equal Opportunities.

Rapporteur: Joke Swiebel

(A5-0481/2003)

(Simple majority)

(Voting record: Annex 1, Item 8)

MOTION FOR A RESOLUTION

Adopted (P5_TA(2004)0023)

Wednesday 14 January 2004

5. Explanations of vote

Written explanations of vote:

Explanations of vote submitted in writing under Rule 137(3) appear in the verbatim report of proceedings for this sitting.

Oral explanations of vote:

Report De Rossa — A5-0355/2003

— Michl Ebner

Report Prets — A5-0477/2003

— Gian Paolo Gobbo, Mario Borghezio, Barbara O'Toole and Koldo Gorostiaga Atxalandabaso

6. Corrections to votes

Corrections to votes were submitted by the following Members:

Report Herzog — A5-0484/2003

— amendment 38

for: Arlene McCarthy

— amendment 12/rev.

for: Catherine Lalumière, Georges Garot and Danielle Darras

against: Richard Corbett and Hans-Peter Martin

— amendment 18, first part

against: Elizabeth Lynne and Jean-Thomas Nordmann

— amendment 18, second part

for: Elizabeth Lynne and Jean-Thomas Nordmann

— amendment 19

for: José Ignacio Salafranca Sánchez-Neyra

— amendment 13

against: Hubert Pirker and Alexander Radwan

— amendment 22D

for: Alain Krivine, Alain Lipietz, Francesco Rutelli and Alain Esclopé

against: Hubert Pirker and Alexander Radwan

— amendment 41

for: Miet Smet

— amendment 14, first part

for: Armonia Bordes and Catherine Lalumière

— amendment 14, second part

for: Catherine Lalumière, Bernard Poinant and Georges Garot

against: Marie-Arlette Carlotti and Hans Karlsson

— amendment 14, third part

for: Catherine Lalumière

— paragraph 13

against: Glyn Ford and Hans-Peter Martin

— amendment 25

for: Miet Smet

— amendment 44

for: Alain Lipietz

against: Nicole Thomas-Mauro

Wednesday 14 January 2004

- amendment 26
for: Concepció Ferrer
- amendment 78
for: Nicole Thomas-Mauro
- amendment 45, third part
for: Hans-Peter Martin
against: Georges Garot and Danielle Darras
- amendment 46
for: Richard Corbett
- amendment 28
against: Othmar Karas and Alexander Radwan
- amendment 87
for: Claude Turmes
- amendment 29
for: Othmar Karas
- amendment 47
against: Othmar Karas
- paragraph 32
against: Pervenche Berès, Marie-Arlette Carlotti, Catherine Lalumière, Adeline Hazan, Catherine Guy-Quint, Yves Butel, Alain Esclopé, Jean Saint-Josse, Jean-Louis Bernié and Véronique Mathieu
- amendment 92
against: Othmar Karas
- amendment 31, first part
for: Alexander Radwan
- amendment 31, second part
for: Marie-Arlette Carlotti
against: Alexander Radwan
- amendment 32
against: Georges Garot
- amendment 35D
for: Hans-Peter Martin
- amendment 49
against: Rodi Kratsa-Tsagaropoulou and Alexander Radwan
- paragraph 45
against: Jean-Claude Fruteau, Catherine Lalumière, Béatrice Patrie, Michel Rocard, Gilles Savary, Martine Roure and Bernard Poignant
- amendment 103
for: Marialiese Flemming, Othmar Karas, Hubert Pirker, Reinhard Rack, Alexander Radwan, Paul Rübige and Agnes Schierhuber
- amendment 51
for: Marialiese Flemming, Malcolm Harbour, Othmar Karas, Hubert Pirker, Reinhard Rack, Alexander Radwan, Paul Rübige, Agnes Schierhuber, Ursula Stenzel and Elspeth Attwooll
against: María del Pilar Ayuso González, Juan José Bayona de Perogordo, Jan Mulder, Roy Perry, Francesco Rutelli and Lisbeth Grönfeldt Bergman
- amendment 51
for: Christopher Heaton-Harris and Neil Parish
- amendment 36
for: Alexander Radwan

Wednesday 14 January 2004

- amendment 50
for: Marie-Arlette Carlotti
against: Françoise de Veyrinas and Jean-Thomas Nordmann
- amendment 16D
against: Rodi Kratsa-Tsagaropoulou and Alexander Radwan
- amendment 4D
for: Othmar Karas and Rodi Kratsa-Tsagaropoulou
- recital U, second part
for: Othmar Karas
against: Roseline Vachetta
- amendment 17
for: Fausto Bertinotti
- resolution (as a whole)
for: Alexander Radwan
against: Hans-Peter Martin and Gérard Onesta

Report De Rossa — A5-0355/2003

- amendment 2
for: Paul Rübig

Report Sandbæk — A5-0474/2003

- resolution (as a whole)
for: Hans-Peter Martin and Othmar Karas

Report Bébéar — A5-0329/2003

- amendment 4
against: Hans-Peter Martin

Report Prets — A5-0477/2003

- amendment 4
for: Françoise de Veyrinas
against: Linda McAvan and Arlene McCarthy
- amendment 3
for: Concepció Ferrer and Malcolm Harbour
- amendment 5
for: Concepció Ferrer
- amendment 2
against: Claude Turmes
- resolution (as a whole)
abstention: Theresa Villiers

Rapport Swiebel — A5-0481/2003

- paragraph 11, second part
against: Marie-France Stirbois

Members present but not voting:

Armonia Bordes, Chantal Cauquil and Arlette Laguiller had been present but had not taken part in the vote on the following amendments to the Herzog report (A5-0484/2003): 23D, 28, 87, 29, 92, 31 first and second parts, 32, 35D, 49, 51, 50, 4D and 37.

(The sitting, suspended at 13.40, resumed at 15.00.)

Wednesday 14 January 2004

IN THE CHAIR: Gérard ONESTA

Vice-President

7. Approval of Minutes of previous sitting

The Minutes of the previous sitting were approved.

8. Preparations for the 60th session of the UN Commission on Human Rights (statements followed by debate)

Council and Commission statements: Preparations for the 60th session of the UN Commission on Human Rights

Dick Roche (President-in-Office of the Council) and António Vitorino (Member of the Commission) made the statements.

The following spoke: Michael Gahler, on behalf of the PPE-DE Group, Véronique De Keyser, on behalf of the PSE Group, Joan Vallvé, on behalf of the ELDR Group, Yasmine Boudjenah, on behalf of the GUE/NGL Group, Matti Wuori, on behalf of the Verts/ALE Group, Cristiana Muscardini, on behalf of the UEN Group, Bastiaan Belder, on behalf of the EDD Group, Emma Bonino, Non-attached Member, Concepció Ferrer, Giovanni Claudio Fava, Kathalijne Maria Buitenweg, Marie Anne Isler Béguin, Dick Roche and António Vitorino.

IN THE CHAIR: Alejo VIDAL-QUADRAS ROCA

Vice-President

The debate closed.

Vote: 10 February 2004

9. Immigration, integration and employment (debate)

Report on the Communication from the Commission on immigration, integration and employment [COM(2003) 336 — 2003/2147(INI)] — Committee on Employment and Social Affairs.

Rapporteur: Claude Moraes
(A5-0445/2003)

Claude Moraes introduced the report.

António Vitorino (Member of the Commission) spoke.

The following spoke: Elena Ornella Paciotti (draftsman of the opinion of the LIBE Committee), Lone Dybkjær (draftsman of the opinion of the FEMM Committee), Luciana Sbarbati (draftsman of the opinion of the PETI Committee), Manuel Pérez Álvarez, on behalf of the PPE-DE Group, Anna Karamanou, on behalf of the PSE Group, Elspeth Attwooll, on behalf of the ELDR Group, Ilda Figueiredo, on behalf of the GUE/NGL Group, Jean Lambert, on behalf of the Verts/ALE Group, Brian Crowley, on behalf of the UEN Group, Johannes (Hans) Blokland, on behalf of the EDD Group, Philip Claeys, Non-attached Member, Miet Smet, Jan Andersson, Sarah Ludford, Arlette Laguiller, Mario Borghezio, Jorge Salvador Hernández Mollar, Georges Berthu, Thomas Mann, Bartho Pronk, Regina Bastos, Marie-Thérèse Hermange, Giacomo Santini, Carlos Coelho and Amalia Sartori.

The debate closed.

Vote: Minutes of 15.01.2004, Item 5.5

Wednesday 14 January 2004

10. Question Time (Council)

Parliament considered a number of questions to the Council (B5-0002/2004).

Question 1 by Patricia McKenna: Welfare and transport of greyhounds.

Dick Roche (President-in-Office of the Council) answered the question and supplementaries by Patricia McKenna and Jan Dhaene.

Question 2 by Nuala Ahern: Sellafeld endangering lives in Britain and Ireland.

Dick Roche answered the question and supplementaries by Nuala Ahern, Robert Atkins and Terence Wynn.

Nuala Ahernspoke.

Question 3 by Josu Ortuondo Larrea: Breach of the principles of Article 6(1) of the EU Treaty.

Dick Roche announced that the Council was not competent to answer the question.

The following spoke: Josu Ortuondo Larrea, who explained his question, Marcelino Oreja Arburúa, Dick Roche, who replied that he had nothing further to add, Neil MacCormick and Josu Ortuondo Larrea (the President cut him off).

Question 4 by Paulo Casaca: Financing of the Natura 2000 network.

Dick Roche answered the question and a supplementary by Paulo Casaca.

Question 5 by Inger Schörling: Foreign policy.

Question 5 lapsed as its author was absent.

Question 6 by Glenys Kinnock: Zimbabwe.

Dick Roche answered the question and supplementaries by Glenys Kinnock and Claude Moraes.

Question 7 by Rodi Kratsa-Tsagaropoulou: Syria-EU Association Agreement.

Dick Roche answered the question and supplementaries by Rodi Kratsa-Tsagaropoulou, Charles Tannock and John Purvis.

Question 8 by Bill Newton Dunn: Albanian drug crime.

Dick Roche answered the question and a supplementary by Bill Newton Dunn.

Question 9 by Richard Howitt: Multi-annual strategic Programme for EU external relations.

Dick Roche answered the question and a supplementary by Richard Howitt.

Question 10 by Proinsias De Rossa: Temporary Workers directive.

Dick Roche answered the question and supplementaries by Proinsias De Rossa, Philip Bushill-Matthews and Brian Crowley.

Question 11 by Alexandros Alavanos: Prohibitive conditions for family reunification.

Dick Roche answered the question and a supplementary by Alexandros Alavanos.

Questions which had not been answered for lack of time would receive written answers.

Council Question Time closed.

(The sitting was suspended at 18.30 and resumed at 21.00.)

Wednesday 14 January 2004

IN THE CHAIR: James L.C. PROVAN

Vice-President

11. Illegal immigration, smuggling and trafficking of human beings (debate)

Report on the communication from the Commission to the European Parliament and the Council in view of the European Council of Thessaloniki on the development of a common policy on illegal immigration, smuggling and trafficking of human beings, external borders and the return of illegal residents [COM(2003) 323 — 2003/2156(INI)] — Committee on Citizens' Freedoms and Rights, Justice and Home Affairs.

Rapporteur: Hubert Pirker
(A5-0419/2003)

Hubert Pirker introduced the report

Giacomo Santini, on behalf of the PPE-DE Groupspoke.

Anna Diamantopoulou (Member of the Commission) spoke.

The following spoke: Martine Roure, on behalf of the PSE Group, Ole B. Sørensen, on behalf of the ELDR Group, Alima Boumediene-Thiery, on behalf of the Verts/ALE Group, Roberta Angelilli, on behalf of the UEN Group, Johannes (Hans) Blokland, on behalf of the EDD Group, Carlos Coelho, Robert J.E. Evans, Sarah Ludford, Patricia McKenna and Luís Queiró.

The debate closed.

Vote: *Minutes of 15.01.2004, Item 5.6*

12. Job creation by the service sector (debate)

Report on developing the service sector to create jobs [2003/2132(INI)] — Committee on Employment and Social Affairs.

Rapporteur: Rodi Kratsa-Tsagaropoulou
(A5-0479/2003)

Rodi Kratsa-Tsagaropoulou introduced the report

Anna Diamantopoulou (Member of the Commission) spoke.

The following spoke: Ioannis Koukiadis (draftsman of the opinion of the JURI Committee), Regina Bastos, on behalf of the PPE-DE Group, Gérard Caudron, on behalf of the GUE/NGL Group, Jean Lambert, on behalf of the Verts/ALE Group, Lennart Sacrédeus and Manuel Pérez Álvarez.

The debate closed.

Vote: *Minutes of 15.01.0224, Item 5.4*

13. Implementation of Directive 96/71/EC (debate)

Report on the implementation of Directive 96/71/EC in the Member States [COM(2003) 458 — 2003/2168(INI)] — Committee on Employment and Social Affairs.

Rapporteur: Anne-Karin Glase
(A5-0448/2003)

Anne-Karin Glase introduced the report

Anna Diamantopoulou (Member of the Commission) spoke.

Wednesday 14 January 2004

The following spoke: Manuel Pérez Álvarez, on behalf of the PPE-DE Group, Barbara Weiler, on behalf of the PSE Group, Elisabeth Schroedter, on behalf of the Verts/ALE Group, and Bartho Pronk.

The debate closed.

Vote: *Minutes of 15.01.2004, Item 5.7*

14. Harassment at the workplace (Oral question with debate)

Oral question by Stephen Hughes, Proinsias De Rossa and Jan Andersson, on behalf of the PSE Group, to the Commission on Harassment at the workplace (B5-0418/2003)

Stephen Hughes moved the oral question.

Anna Diamantopoulou (Member of the Commission) answered the oral question.

The following spoke: Anne-Karin Glase, on behalf of the PPE-DE Group, Jan Andersson, on behalf of the PSE Group, Philip Bushill-Matthews, Barbara Weiler, Manuel Pérez Álvarez, Lennart Sacrédeus, Stephen Hughes and Anna Diamantopoulou.

The debate closed.

15. Agenda for next sitting

The President referred Members to the document 'Agenda' PE 340.652/OJJE.

16. Closure of sitting

The sitting closed at 23.05.

Julian Priestley
Secretary-General

Alonso José Puerta
Vice-President

Wednesday 14 January 2004

ATTENDANCE REGISTER

The following signed:

Aaltonen, Abitbol, Nuala Ahern, Ainardi, Alavanos, Almeida Garrett, Alyssandrakis, Andersen, Andersson, Andreasen, André-Léonard, Andrews, Andria, Angelilli, Aparicio Sánchez, Arvidsson, Atkins, Attwooll, Auroi, Averoff, Avilés Perea, Ayuso González, Bakopoulos, Balfe, Baltas, Banotti, Barón Crespo, Bartolozzi, Bastos, Bayona de Perogordo, Beazley, Bébéar, Belder, Berend, Berenguer Fuster, Berès, van den Berg, Bergaz Conesa, Berger, Berlato, Bernié, Berthu, Bertinotti, Beysen, Bigliardo, Blak, Blokland, Bodrato, Böge, Bösch, von Boetticher, Bonino, Booth, Bordes, Borghezio, van den Bos, Boudjenah, Boumediene-Thiery, Bourlanges, Bouwman, Bowe, Bowis, Bradbourn, Bremmer, Breyer, Brie, Brienza, Brok, Brunetta, Buitenweg, Bullmann, Bushill-Matthews, Busk, Butel, Callanan, Calò, Camisón Asensio, Campos, Camre, Cappato, Cardoso, Carlotti, Carraro, Casaca, Caudron, Cauquil, Cederschiöld, Celli, Cercas, Ceyhun, Chichester, Claeys, Clegg, Cocilovo, Coelho, Cohn-Bendit, Collins, Corbett, Corbey, Cornillet, Corrie, Paolo Costa, Raffaele Costa, Coûteaux, Cox, Crowley, Cushnahan, van Dam, Darras, Daul, Davies, De Clercq, Dehousse, De Keyser, Della Vedova, Deprez, De Rossa, De Sarnez, Descamps, Désir, De Veyrac, Dhaene, Díez González, Di Lello Finuoli, Dillen, Dimitrakopoulos, Di Pietro, Dover, Doyle, Dührkop Dührkop, Duff, Duhamel, Duin, Dupuis, Dybkjær, Ebner, Echerer, El Khadraoui, Elles, Esclopé, Ettl, Jillian Evans, Jonathan Evans, Robert J.E. Evans, Färm, Farage, Fatuzzo, Fava, Ferber, Fernández Martín, Ferrández Lezaun, Ferreira, Ferrer, Ferri, Fiebigler, Figueiredo, Fiori, Fitzsimons, Flautre, Flemming, Flesch, Florenz, Folias, Ford, Formentini, Foster, Fourtou, Fraisse, Frassoni, Friedrich, Fruteau, Gahler, Gahrton, Galeote Quecedo, Garaud, García-Orcyoyen Tormo, Gargani, Garot, Garriga Polledo, Gasòliba i Böhm, de Gaulle, Gawronski, Gebhardt, Gemelli, Gill, Gillig, Gil-Robles Gil-Delgado, Glante, Glase, Gobbo, Goebbels, Goepel, Görlach, Gollnisch, Gomolka, Goodwill, Gorostiaga Atxalandabaso, Gouveia, Graefe zu Baringdorf, Graça Moura, Gröner, Grönfeldt Bergman, Grosch, Grossetête, Guy-Quint, Hänsch, Hager, Hannan, Hansenne, Harbour, Hatzidakis, Haug, Hazan, Heaton-Harris, Hedkvist Petersen, Helmer, Hermange, Hernández Mollar, Herranz García, Herzog, Hieronymi, Hoff, Honeyball, Hortefeux, Howitt, Hudghton, Hughes, Huhne, van Hulten, Hume, Hyland, Iivari, Ilgenfritz, Imbeni, Inglewood, Isler Béguin, Izquierdo Collado, Izquierdo Rojo, Jackson, Jarzembowski, Jeggler, Jensen, Jöns, Jonckheer, Jové Peres, Junker, Karamanou, Karas, Karlsson, Kastler, Katiforis, Kaufmann, Keppelhoff-Wiechert, Keßler, Khanbhai, Kindermann, Glenys Kinnock, Kirkhope, Klamt, Klaß, Koch, Konrad, Korhola, Koukiadis, Koulourianos, Krarup, Kratsa-Tsagaropoulou, Krehl, Kreissl-Dörfler, Krivine, Kronberger, Kuckelhorn, Kuhne, Kuntz, Lage, Lagendijk, Laguiller, Lalumière, Lamassoure, Lambert, Lang, Lange, Langen, Langenhagen, Lannoye, de La Perrière, Laschet, Lavarra, Lechner, Lehne, Leinen, Liese, Linkohr, Lisi, Lombardo, Lucas, Ludford, Lulling, Lund, Lynne, Maat, Maaten, McAvan, McCarthy, McCartin, MacCormick, McKenna, McMillan-Scott, McNally, Maes, Malliori, Malmström, Manders, Erika Mann, Thomas Mann, Mantovani, Marchiani, Marinho, Marini, Marinos, Markov, Marques, Maset Campos, Martelli, Martens, David W. Martin, Hans-Peter Martin, Hugues Martin, Martinez, Martínez Martínez, Mastella, Mastorakis, Mathieu, Matikainen-Kallström, Mauro, Hans-Peter Mayer, Xaver Mayer, Mayol i Raynal, Medina Ortega, Meijer, Méndez de Vigo, Mendiluce Pereiro, Menéndez del Valle, Menrad, Miguélez Ramos, Miller, Miranda de Lage, Modrow, Mombaur, Monsonís Domingo, Montfort, Moraes, Morgan, Morgantini, Morillon, Müller, Mulder, Murphy, Muscardini, Musotto, Mussa, Musumeci, Myller, Nair, Napoletano, Naranjo Escobar, Nassauer, Newton Dunn, Nicholson, Niebler, Nisticò, Nobilia, Nordmann, Olsson, Ó Neachtain, Onesta, Oomen-Ruijten, Oreja Arburúa, Ortuondo Larrea, O'Toole, Paasilinna, Pacheco Pereira, Paciotti, Pack, Paisley, Pannella, Parish, Pasqua, Pastorelli, Patakis, Patrie, Paulsen, Pérez Álvarez, Pérez Royo, Perry, Pesälä, Pex, Piecyk, Piétrasanta, Pirker, Piscarreta, Pittella, Plooijs-van Gorsel, Podestà, Poettering, Pohjamo, Poignant, Poli Bortone, Pomés Ruiz, Poos, Posselt, Prets, Procacci, Pronk, Provan, Puerta, Purvis, Queiró, Quisthoudt-Rowohl, Rack, Radwan, Rapkay, Raschhofer, Read, Redondo Jiménez, Ribeiro e Castro, Ries, Riis-Jørgensen, Ripoll y Martínez de Bedoya, Rocard, Rod, Rodríguez Ramos, de Roo, Roth-Behrendt, Rothe, Rothley, Roure, Røvsing, Rübiger, Rühle, Ruffolo, Rutelli, Sacconi, Sacrédeus, Saint-Josse, Sakellariou, Salafranca Sánchez-Neyra, Sandberg-Fries, Sandbæk, Santer, Santini, dos Santos, Sartori, Sauquillo Pérez del Arco, Savary, Sbarbati, Scallon, Scapagnini, Scarbonchi, Schaffner, Scheele, Schierhuber, Schleicher, Gerhard Schmid, Herman Schmid, Olle Schmidt, Schmitt, Schnellhardt, Schörling, Ilka Schröder, Jürgen Schröder, Schroedter, Schulz, Schwaiger, Segni, Seppänen, Simpson, Sjöstedt, Skinner, Smet, Soares, Sörensen, Sommer, Sornosa Martínez, Souchet, Souladakis, Sousa Pinto, Speroni, Stenmarck, Stenzel, Sterckx, Stevenson, Stihler, Stirbois, Stockmann, Stockton, Sturdy, Sudre, Sumberg, Suominen, Swibel, Swoboda, Sylla, Sørensen, Tajani, Tannock, Terrón i Cusí, Theato, Theorin, Thomas-Mauro, Thorning-Schmidt, Thors, Thyssen, Titford, Titley, Torres Marques, Trakatellis, Turchi, Turco, Turmes, Twinn, Uca, Vachetta, Väyrynen, Vairinhos, Valdivielso de Cué, Vallvé, Van Hecke, Van Lancker, Van Orden, Varela Suanzes-Carpegna, van Velzen, Vermeer, de Veyrinas, Vidal-Quadras Roca, Villiers, Vinci, Virrankoski, Vlasto, Voggenhuber, Volcic, Wallis, Walter, Watson, Watts, Weiler, Wenzel-Perillo, Whitehead, Wiersma, Wijkman, von Wogau, Wuermeling, Wuori, Wurtz, Wyn, Wynn, Zabell, Zacharakis, Zappalà, Zimeray, Zimmerling, Zissener, Zorba, Zrihen

Wednesday 14 January 2004

Observers

Bagó, Bastys,, Biela, Bielan, Bonnici, Mihael Brejc, Chronowski, Zbigniew Chrzanowski, Ciemniak, Cilevičs, Czinge, Demetriou, Didžiokas,, Ékes, Falbr, Fazakas,, Filipek, Gadzinowski, Gałażewski, Gawłowski, Germič, Giertych, Grzebisz-Nowicka, Grzyb, Gurmai, Heriban, Ilves, Jerzy Jaskiernia, Kamiński, Kelemen, Kiršteins, Klich, Kłopotek, Klukowski, Konečná, Kósáné Kovács, Kowalska,, Kriščiūnas, Daniel Kroupa, Kubovič, Kuzmickas, Kvietkauskas, Laar, Landsbergis, Lepper, Janusz Lewandowski, Libicki, Lisak, Łyzwiński, Macierewicz, Maldeikis, Mallotová, Manninger, Maštálka, Matsakis, Mavrou, Palečková, Pasternak, Pęczak, Pieniążek,, Plokšto, Podgórski, Pospíšil, Protasiewicz, Janno Reiljan, Savi, Siekierski, Smoleń, Smorawiński, Surján, Szájer, Szczygło, Tabajdi,, Tomaka, Tomczak, Vaculík, Vadai, Valys,, Vastagh, Vella, Vèsaité, Wenderlich, Widuch, Wikiński, Wiśniowska, Wittbrodt, Janusz Czeskaw Wojciechowski, Zahradil, Žiak

Wednesday 14 January 2004

ANNEX I

RESULTS OF VOTES

Abbreviations and symbols

+	adopted
-	rejected
↓	lapsed
W	withdrawn
RCV (... , ... , ...)	roll-call vote (for, against, abstentions)
EV (... , ... , ...)	electronic vote (for, against, abstentions)
split	split vote
sep	separate vote
am	amendment
CA	compromise amendment
CP	corresponding part
D	deleting amendment
=	identical amendments
§	paragraph
art	article
rec	recital
MOT	motion for a resolution
JT MOT	joint motion for a resolution
SEC	secret ballot

1. Tuna

Report: VARELA SUANZES-CARPEGNA (A5-0412/2003)

Subject	RCV, etc.	Vote	RCV/EV — remarks
single vote		+	

2. Detergents *II**

Recommendation for second reading: NOBILIA (A5-0455/2003)

Subject	Am no.	Author	RCV, etc.	Vote	RCV/EV — remarks
text as a whole	Block 1	7 political groups		+	
	Block 2	committee		↓	
	Block 3	Verts/ALE	RCV	-	96,308,114
	Block 4	6 political groups		+	
	Block 5	committee		↓	

Wednesday 14 January 2004

Subject	Am no.	Author	RCV, etc.	Vote	RCV/EV — remarks
after art 15	35/rev.	PSE, ELDR, GUE/NGL, UEN, EDD	RCV	+	491,38,0
	38/rev.	PPE-DE		↓	
	22	<i>committee</i>		↓	

Block 1 = 5 amendments of 7 political groups (ams 31/rev, 32/rev, 33/rev, 36/rev, 37/rev)
 Block 2 = 26 amendments of the ENVI Committee (amendments 1 to 3, 5 to 20, 23 to 29)
 Block 3 = 8 amendments of the Verts/ALE Group (amendments 39/rev to 46/rev)
 Block 4 = 2 amendments of 6 political groups (amendments 30/rev and 34/rev)
 Block 5 = 2 amendments of the ENVI Committee (amendments 4 and 21)

Requests for roll-call votes

Verts/ALE block 3, am 35/rev

3. Services of general interest

Report: HERZOG (A5-0484/2003)

Subject	Am no.	Author	RCV, etc.	Vote	RCV/EV — remarks
§ 1	56	GUE/NGL	-		
after § 1	38	Verts/ALE	RCV	-	229,290,15
after § 2	6	PPE-DE	EV	-	257,264,10
§ 3	11	GUE/NGL		+	
§ 4	12/rev.	GUE/NGL	RCV	-	120,409,6
after § 4	57	GUE/NGL, ZRIHEN, DESIR	RCV	-	238,291,8
	18	PSE	split/RCV		
			1	-	248,274,16
			2	+	470,59,9
	59	GUE/NGL	EV	-	235,290,8
	19	PSE	RCV	+	472,42,21
	39	Verts/ALE		W	
	20	PSE	RCV	-	207,317,5
	58	GUE/NGL		-	
	40	Verts/ALE	RCV	-	218,312,9
21	PSE	RCV	-	223,296,15	
§ 5	13	GUE/NGL	RCV	+	290,233,6
	§	<i>original text</i>		↓	
§ 6	22D	PSE	RCV	+	300,228,2
§ 7	41	Verts/ALE	RCV	+	266,261,5
	§	<i>original text</i>		↓	

Wednesday 14 January 2004

Subject	Am no.	Author	RCV, etc.	Vote	RCV/EV — remarks
§ 8		original text	sep	+	
§ 9		original text	sep	+	
§ 10	23D	PSE	RCV	+	261,250,23
§ 11	24D	PSE	EV	+	261,249,14
after § 12	14	GUE/NGL	split/RCV		
			1	+	499,3,0
			2	-	167,361,6
			3	+	531,4,0,
§ 13		original text	RCV	+	273,245,16
§ 14		original text	RCV	+	372,156,9
§ 15		original text	sep/ EV	+	406,121,5
§ 16		original text	sep	+	
§ 17		original text	sep	+	
after § 17	42	Verts/ALE	RCV	-	234,278,20
§ 18		original text	RCV	+	489,12,30
after § 18	73	GUE/NGL, ZRIHEN, DESIR		-	
§ 19	43	Verts/ALE	RCV	-	251,275,14
	25	PSE	RCV	+	266,253,18
	§	original text	sep	↓	
§ 20	44	Verts/ALE	RCV	-	246,266,20
	26	PSE	RCV	+	266,255,16
	§	original text	sep	↓	
§ 21		original text	split		
			1/EV	-	232,270,23
			2	+	
after § 21	77	GUE/NGL, ZRIHEN, DESIR		-	
	78	GUE/NGL	RCV	-	138,389,8
§ 22	45	Verts/ALE	split/RCV		
			1	+	448,75,11
			2	+	457,61,8
			3	+	265,249,9
	79	GUE/NGL, ZRIHEN, DESIR		↓	
§		original text		↓	

Wednesday 14 January 2004

Subject	Am no.	Author	RCV, etc.	Vote	RCV/EV — remarks
after § 22	80	GUE/NGL		-	
	46	Verts/ALE	RCV	-	170,348,13
	27	PSE	RCV	-	209,298,21
§ 23	15	GUE/NGL		-	
§ 24		original text	RCV	+	411,112,9
§ 26	28	PSE	RCV	+	262,244,18
	§	original text		↓	
after § 26	85	GUE/NGL	EV	-	253,271,5
§ 27		original text	sep	+	
§ 29	87	GUE/NGL	RCV	-	261,261,9
	29	PSE	RCV	+	465,22,32
after § 30	47	Verts/ALE	RCV	-	158,373,1
§ 31	30D	PSE	EV	+	267,261,1
§ 32		original text	RCV	+	407,108,21
§ 33		original text	sep	+	
§ 35		original text	sep	+	
after § 35	92	GUE/NGL, ZRIHEN	RCV	-	128,375,27
§ 36	31	PSE	split/RCV		
			1	+	261,260,10
			2	-	172,322,31
	48	Verts/ALE		↓	
after § 36	94	GUE/NGL	EV	-	240,258,30
	32	PSE	RCV	+	490,24,15
	96	GUE/NGL	EV	-	225,283,16
§ 37	33D	PSE	RCV	-	260,266,3
§ 39	34D	PSE	RCV	-	261,266,4
§ 40		original text	sep	+	
§ 41	35D	PSE	RCV	+	265,248,13
§ 44	49	Verts/ALE	RCV	-	116,391,8
§ 45		original text	RCV	+	386,135,8
§ 46		original text	sep	+	
§ 48	103	GUE/NGL, ZRIHEN, DESIR	RCV	+	265,249,11
	§	original text		↓	

Wednesday 14 January 2004

Subject	Am no.	Author	RCV, etc.	Vote	RCV/EV — remarks
§ 49	51	Verts/ALE	RCV	+	266,233,21
	§	original text		↓	
§ 50	105	GUE/NGL	EV	-	127,376,13
§ 51		original text	RCV	+	464,41,19
after § 51	36	PSE	RCV	+	395,115,13
	50	Verts/ALE	RCV	-	143,360,7
	106	GUE/NGL		-	
	108	GUE/NGL		-	
	109	GUE/NGL, ZRIHEN, DESIR	RCV	-	121,394,9
§ 52		original text	split/RCV		
			1	+	488,26,13
			2	+	270,246,6
recital E	1	PPE-DE		+	
rec I	16D	PSE	RCV	+	272,237,14
rec M	2	PPE-DE	EV	+	273,230,4
recital O	3	PPE-DE		+	
recital Q	4S	PPE-DE	RCV	+	285,223,12
after recital T	7	PPE-DE	split		
			1	+	
			2	+	
rec U	5	PPE-DE		W	
	§	original text	split/RCV		
			1	+	458,21,37
			2	+	366,108,42
recital V	9/rev.	GUE/NGL		-	
rec W	53	GUE/NGL		-	
rec X	10	GUE/NGL		+	
rec Y	17D	PSE	RCV	+	258,249,15
rec Z	37	Verts/ALE	RCV	+	262,245,6
vote: resolution (as a whole)			RCV	+	383,123,13

The GUE/NGL Group had withdrawn its amendments 8, 52, 54, 55, 60 to 72, 74 to 76, 81 to 84, 86, 88 to 91, 93, 95, 97 to 102, 104 and 107

The Verts/ALE Group had withdrawn amendment 39.

The PPE-DE Group had withdrawn its amendment 5.

Wednesday 14 January 2004

Requests for split votes

PPE-DE

am 18*1st part:* up to 'and renews its'*2nd part:* remainder**am 45***1st part:* up to 'defining such services';*2nd part:* 'considers that the same should apply ... information and cultural diversity';*3rd part:* remainder**rec U***1st part:* text as a whole except the word 'eco-social'*2nd part:* that word

PSE, ELDR

am 14*1st part:* up to 'diversity and identity'*2nd part:* up to 'should not be covered by competition rules'*3rd part:* remainder

PPE-DE, ELDR

§ 21*1st part:* 'Calls on the legislator to clarify ... general economic interest'*2nd part:* 'notes that for many services of general interest ... in the case of economic services of general interest';

Verts/ALE

am 31*1st part:* text as a whole except the words 'and that the right, in particular, be subject to thresholds';*2nd part:* those words**§ 52***1st part:* up to 'services of general interest'*2nd part:* remainder

GUE/NGL

am 7*1st part:* up to 'media pluralism'*2nd part:* remainder*Requests for roll-call votes*

PSE ams 18, 19, 20, 21, 25, 26, 27, 28, 29, 31, 32, 36 + final vote

ELDR ams 12, 18, 20, 21, 34, 35, 40, 41, 109 + final vote

Verts/ALE §§ 6 (*am 22D*), 10 (*am 23D*), 13, 14, 18, 24, 32, 39 (*am 34D*), 49, 51, 52rec I (*am 16D*), Q (*am 4D*), U, Y (*am 17D*) + final voteams 4, 5 (*withdrawn*), 12, 13, 14, 23, 31, 37—51 (inclusive), 60 (*withdrawn*), 82 (*withdrawn*)

GUE/NGL §§ 13, 24, 45

ams 57, 13, 22, 42, 78, 87, 47, 92, 33D, 35D, 103, 50, 109, 16D

*Requests for separate vote*Verts/ALE §§ 8, 9, 10 (*am 23D*), 15, 17, 24, 31 (*am 31D*), 32, 46

GUE/NGL §§ 14, 15, 16, 17, 19, 20, 26, 27, 32, 33, 35, 40, 46, 49

Other information

The rapporteur proposed to insert the text of am 73 after § 20

Wednesday 14 January 2004

4. Illegal trade in bushmeat

Report: DE ROSSA (A5-0355/2003)

Subject	Am no.	Author	RCV, etc.	Vote	RCV/EV — remarks
§ 5	3	ELDR		-	
recital A	1	EDD		-	
	2	ELDR	EV	+	274,191,9
<i>vote: resolution (as a whole)</i>				+	

5. Health issues and poverty reduction

Report: SANDBÆK (A5-0474/2003)

Subject	Am no.	Author	RCV, etc.	Vote	RCV/EV — remarks
§ 24	2	PSE		+	
	1	ELDR		↓	
after § 29	4	PPE-DE		+	
§ 37	5D	PPE-DE		+	
recital L				+	<i>Amended orally</i>
recital O	3D	PPE-DE		+	
<i>vote: resolution (as a whole)</i>			RCV	+	469,0,14

Requests for roll-call votes

PPE-DE final vote

Other information

Mr Corrie moved an oral amendment to recital L: 'this must extend to the exploitation of women as prostitutes'

6. NEPAD

Report: BÉBÉAR (A5-0329/2003)

Subject	Am no.	Author	RCV, etc.	Vote	RCV/EV — remarks
§ 5		<i>original text</i>	split		
			1	+	
			2	-	
after § 5	1	Verts/ALE		-	
after § 6	5	GUE/NGL		+	<i>Amended orally</i>
after § 34	2	Verts/ALE	RCV	-	85,371,12
after § 36	3	Verts/ALE		-	
after § 38	4	Verts/ALE	RCV	-	96,364,10

Wednesday 14 January 2004

Subject	Am no.	Author	RCV, etc.	Vote	RCV/EV — remarks
recital J		original text	split		
			1	+	
			2	-	
rec Z		original text	split		
			1	+	
			2	-	
vote: resolution (as a whole)				+	

Requests for split votes

PPE-DE

recital J*1st part:* text as a whole except the words 'of the order of USD 64 billion per year'*2nd part:* those words**rec Z***1st part:* text as a whole except the words '60 % of'*2nd part:* those words**§ 5***1st part:* text as a whole except the words 'and submit an independent forward study'*2nd part:* those words*Requests for roll-call votes*

Verts/ALE ams 2, 4

Other information

Mr Bébéar moved an oral amendment to amendment 5:

Notes that the Action Plan for Africa announced by the G8 in 2002 **has still** not been reflected by precise commitments; calls on the G8 and the EU swiftly to help to make the necessary resources available so as to help achieve the aims set by NEPAD

7. Cultural diversity

Report: PRETS (A5-0477/2003)

Subject	Am no.	Author	RCV, etc.	Vote	RCV/EV — remarks
after § 5	4	GUE/NGL	RCV	-	193,238,18
§ 6	3	ELDR	RCV	-	82,366,4
§ 9		original text	sep	+	
§ 11	5	GUE/NGL	RCV	+	248,192,12
§ 15		original text	sep	+	

Wednesday 14 January 2004

Subject	Am no.	Author	RCV, etc.	Vote	RCV/EV — remarks
§ 18		original text	sep	+	
§ 22	6	GUE/NGL		+	
§ 23		original text	split		
			1	+	
			2	+	
§ 32	7	GUE/NGL		+	
after recital H	1	ELDR		+	
recital L	2	ELDR	EV	+	233,190,18
vote: resolution (as a whole)			RCV	+	369,15,68

Requests for roll-call votes

PPE-DE final vote

ELDR am 3

GUE/NGL ams 4, 5

Requests for separate vote

ELDR § 18

Mr Bradbourn ao § 9, 15, 18

Requests for split votes

ELDR

§ 23

1st part: up to 'UNESCO'

2nd part: remainder

8. Equal opportunities for women and men in the European Union

Report: SWIEBEL (A5-0481/2003)

Subject	Am no.	Author	RCV, etc.	Vote	RCV/EV — remarks
§ 6		original text	sep	+	
§ 11		original text	split	+	
			1	+	
			2/RCV	+	359,66,5
vote: resolution (as a whole)					

Requests for split votes

PPE-DE

§ 11

1st part: up to 'traffickers';

2nd part: remainder

Requests for separate vote

PPE-DE § 6

Wednesday 14 January 2004

ANNEX II

RESULT OF ROLL-CALL VOTES

Nobilis report A5-0455/2003

Block 3

For: 96

EDD: Andersen, Bonde, Sandbæk

GUE/NGL: Ainardi, Blak, Bordes, Boudjenah, Brie, Cauquil, Di Lello Finuoli, Figueiredo, Frahm, Fraisse, Herzog, Jové Peres, Kaufmann, Krivine, Laguiller, Marset Campos, Meijer, Schmid Herman, Seppänen, Sjöstedt, Vachetta, Vinci, Wurtz

NI: Gorostiaga Atxalandabaso, Ilgenfritz, Kronberger

PPE-DE: Dimitrakopoulos, Gil-Robles Gil-Delgado, Sacrédeus

PSE: Baltas, Corbey, Désir, Fava, Ferreira, Gebhardt, Gill, Glante, Görlach, Haug, Imbeni, Kreissl-Dörfler, Kuckelkorn, Lavarra, Leinen, Lund, Medina Ortega, Mendiluce Pereiro, Rapkay, Rothley, Scheele, Thorning-Schmidt, Wiersma

UEN: Musumeci

Verts/ALE: Aaltonen, Ahern, Auroi, Boumediene-Thiery, Bouwman, Breyer, Buitenweg, Cohn-Bendit, Dhaene, Echerer, Evans Jillian, Ferrández Lezaun, Flautre, Frassoni, Gahrton, Graefe zu Baringdorf, Hudghton, Isler Béguin, Jonckheer, Lagendijk, Lambert, Lannoye, Lipietz, Lucas, MacCormick, McKenna, Maes, Mayol i Raynal, Onesta, Piétrasanta, Rod, de Roo, Rühle, Schörling, Schroedter, Sörensen, Turmes, Voggenhuber, Wuori, Wyn

Against: 308

EDD: Abitbol, Belder, Bernié, Blokland, Booth, Butel, Coûteaux, van Dam, Esclopé, Farage, Kuntz, Mathieu, Saint-Josse, Titford

ELDR: Andreasen, André-Léonard, Attwooll, Busk, Calò, Clegg, Costa Paolo, Davies, De Clercq, Di Pietro, Duff, Dybkjær, Fleisch, Formentini, Gasòliba i Böhm, Huhne, Jensen, Ludford, Lynne, Maaten, Malmström, Martelli, Monsonís Domingo, Mulder, Newton Dunn, Nordmann, Olsson, Paulsen, Pesälä, Plooij-van Gorsel, Pohjamo, Procacci, Ries, Riis-Jørgensen, Rutelli, Sbarbati, Schmidt, Sørensen, Thors, Väyrynen, Vallvé, Van Hecke, Vermeer, Virrankoski, Wallis, Watson

GUE/NGL: Bakopoulos, Bergaz Conesa, Bertinotti, Caudron, Fiebiger, Koulourianos, Manisco, Markov, Modrow, Nair, Patakis, Puerta, Scarbonchi, Schröder Ilka

NI: Berthu, Beysen, Bonino, Borghezio, Cappato, Claey, Della Vedova, Dillen, Dupuis, Garaud, de Gaulle, Gobbo, Gollnisch, Hager, Lang, de La Perriere, Martinez, Paisley, Pannella, Souchet, Speroni, Stirbois, Turco

PPE-DE: Almeida Garrett, Andria, Arvidsson, Atkins, Averoff, Avilés Perea, Ayuso González, Balfe, Banotti, Bastos, Bayona de Perogordo, Beazley, Berend, Bodrato, Böge, von Boetticher, Bourlanges, Bowis, Bradbourn, Bremmer, Brienza, Brok, Brunetta, Bushill-Matthews, Callanan, Camisón Asensio, Cardoso, Cederschiöld, Chichester, Cocilovo, Coelho, Cornillet, Corrie, Cushnahan, Daul, Deprez, Descamps, De Veyrac, Dover, Doyle, Ebner, Elles, Fatuzzo, Ferber, Fernández Martín, Ferrer, Ferri, Fiori, Florenz, Folias, Foster, Fourtou, Friedrich, Gähler, Galeote Quecedo, García-Margallo y Marfil, García-Orcoyen Tormo, Gargani, Garriga Polledo, Gawronski, Gemelli, Glase, Goepel, Gomolka, Goodwill, Gouveia, Graça Moura, Grönfeldt Bergman, Grosch, Grossetête, Hannan, Hansenne, Harbour, Hatzidakis, Heaton-Harris, Helmer, Hermange, Hernández Mollar, Herranz García, Hieronymi, Inglewood, Jarzembowski, Jeggler, Karas, Kastler, Keppelhoff-Wiechert, Khanbhai, Kirkhope, Klamt, Klaß, Koch, Konrad, Korhola, Kratsa-Tsagaropoulou, Lamassoure, Langen, Lechner, Lehne, Liese, Lisi, Lombardo, Lulling, Maat, McCartin, McMillan-Scott, Mann Thomas, Mantovani, Marini, Marinos, Marques, Matikainen-Kallström, Mauro, Mayer Hans-Peter, Mayer Xaver, Méndez de Vigo, Menrad, Mombaur, Morillon, Musotto, Naranjo Escobar, Nicholson, Niebler, Nisticò, Oomen-Ruijten, Oreja Arburúa, Pacheco Pereira, Pack, Parish, Pastorelli, Pérez Álvarez, Perry, Pex, Pirker, Piscarreta, Podestà, Poettering, Pomés Ruiz, Posselt, Provan, Purvis, Quisthoudt-Rowohl,

Wednesday 14 January 2004

Radwan, Redondo Jiménez, Ripoll y Martínez de Bedoya, Roving, Rübig, Salafranca Sánchez-Neyra, Santer, Santini, Sartori, Scallon, Scapagnini, Schaffner, Schierhuber, Schleicher, Schmitt, Schröder Jürgen, Schwaiger, Smet, Sommer, Stenmarck, Stenzel, Stevenson, Stockton, Sturdy, Sudre, Sumberg, Suominen, Tajani, Tannock, Theato, Thyssen, Trakatellis, Twinn, Valdivielso de Cué, Van Orden, Varela Suanzes-Carpegna, van Velzen, de Veyrinas, Vidal-Quadras Roca, Villiers, Vlasto, Wenzel-Perillo, Wijkman, von Wogau, Wuermeling, Zabell, Zacharakis, Zappalà, Zimmerling, Zissener

PSE: Dehousse, Goebbels, Sauquillo Pérez del Arco

UEN: Andrews, Berlato, Bigliardo, Collins, Crowley, Fitzsimons, Hyland, Marchiani, Muscardini, Mussa, Nobilia, Ó Neachtain, Pasqua, Ribeiro e Castro, Segni, Thomas-Mauro, Turchi

Abstention: 114

PPE-DE: Flemming

PSE: Andersson, Aparicio Sánchez, Berenguer Fuster, van den Berg, Berger, Bösch, Bowe, Bullmann, Campos, Carlotti, Casaca, Cercas, Corbett, Darras, De Keyser, Dührkop Dührkop, Duhamel, El Khadraoui, Ettl, Evans Robert J.E., Färm, Ford, Garot, Gillig, Gröner, Guy-Quint, Hänsch, Hazan, Hedkvist Petersen, Honeyball, Howitt, Hughes, van Hulten, Hume, Iivari, Izquierdo Collado, Izquierdo Rojo, Jöns, Junker, Karamanou, Karlsson, Katiforis, Keßler, Kindermann, Kinnock, Koukiadis, Krehl, Kuhne, Lage, Lalumière, Lange, McAvan, McCarthy, McNally, Malliori, Martin David W., Martínez Martínez, Mastorakis, Menéndez del Valle, Miguélez Ramos, Miller, Miranda de Lage, Moraes, Morgan, Müller, Murphy, Myller, Napoletano, O'Toole, Paasilinna, Paciotti, Patrie, Piecyk, Pittella, Poignant, Poos, Prets, Read, Rocard, Roth-Behrendt, Rothe, Roure, Ruffolo, Sacconi, Sakellariou, Sandberg-Fries, dos Santos, Schmid Gerhard, Schulz, Simpson, Skinner, Soares, Sornosa Martínez, Souladakis, Sousa Pinto, Stihler, Stockmann, Swibel, Swoboda, Theorin, Titley, Torres Marques, Vairinhos, Van Lancker, Volcic, Walter, Watts, Weiler, Whitehead, Wynn, Zorba, Zrihen

UEN: Camre

Nobilia report A5-0455/2003

Amendment 35/rev.

For: 491

EDD: Abitbol, Andersen, Belder, Bernié, Blokland, Bonde, Butel, Coûteaux, van Dam, Esclopé, Kuntz, Mathieu, Saint-Josse, Sandbæk

ELDR: Andreasen, André-Léonard, Attwooll, Busk, Calò, Clegg, Costa Paolo, Davies, De Clercq, Di Pietro, Duff, Dybkjær, Fleisch, Formentini, Gasòliba i Böhm, Huhne, Jensen, Ludford, Lynne, Maaten, Malmström, Martelli, Monsonís Domingo, Mulder, Newton Dunn, Nordmann, Olsson, Paulsen, Pesälä, Pohjamo, Procacci, Ries, Riis-Jørgensen, Rutelli, Sbarbati, Schmidt, Sterckx, Sørensen, Thors, Väyrynen, Vallvé, Van Hecke, Vermeer, Virrankoski, Wallis, Watson

GUE/NGL: Ainardi, Bakopoulos, Bergaz Conesa, Bertinotti, Blak, Bordes, Boudjenah, Brie, Caudron, Cauquil, Di Lello Finuoli, Fiebiger, Figueiredo, Frahm, Fraise, Herzog, Jové Peres, Kaufmann, Koulourianos, Krivine, Laguiller, Manisco, Markov, Marset Campos, Meijer, Modrow, Nair, Patakis, Puerta, Scarbonchi, Schmid Herman, Schröder Ilka, Seppänen, Sjöstedt, Vachetta, Vinci, Wurtz

NI: Berthu, Beysen, Bonino, Borghezio, Cappato, Claeys, Della Vedova, Dillen, Dupuis, Garaud, de Gaulle, Gobbo, Gollnisch, Gorostiaga Atxalandabaso, Hager, Ilgenfritz, Kronberger, Lang, de La Perriere, Martinez, Paisley, Pannella, Souchet, Speroni, Stirbois, Turco

PPE-DE: Almeida Garrett, Andria, Arvidsson, Averoff, Avilés Perea, Ayuso González, Banotti, Bastos, Bayona de Perogordo, Bébéar, Berend, Bodrato, Böge, von Boetticher, Bourlanges, Bremmer, Brienza, Brok, Brunetta, Camisón Asensio, Cardoso, Cederschiöld, Cocilovo, Coelho, Cornillet, Costa Raffaele, Cushnahan, Daul, Deprez, Descamps, De Veyrac, Dimitrakopoulos, Doyle, Ebner, Fatuzzo, Ferber, Fernández Martín, Ferrer, Ferri, Fiori, Flemming, Foliás, Fourtou, Friedrich, Gahler, Galeote Quecedo, García-Margallo y Marfil, García-Orcoyen Tormo, Gargani, Garriga Polledo, Gawronski, Gemelli, Gil-Robles Gil-Delgado, Glase, Goepel, Gomolka, Gouveia, Graça Moura, Grönfeldt Bergman, Grosch, Grossetête, Hansenne, Hatzidakis, Hermange, Hernández Mollar, Herranz García, Hieronymi,

Wednesday 14 January 2004

Jarzebowski, Jeggle, Karas, Kastler, Keppelhoff-Wiechert, Klamt, Klaß, Koch, Konrad, Korhola, Kratsa-Tsagaropoulou, Lamassoure, Langen, Lechner, Lehne, Liese, Lisi, Lombardo, Lulling, Maat, McCartin, McMillan-Scott, Mann Thomas, Mantovani, Marini, Marinos, Marques, Matikainen-Kallström, Mauro, Mayer Hans-Peter, Mayer Xaver, Méndez de Vigo, Menrad, Mombaur, Morillon, Musotto, Naranjo Escobar, Niebler, Nisticò, Oomen-Ruijten, Oreja Arburúa, Pacheco Pereira, Pack, Parish, Pastorelli, Pérez Álvarez, Pex, Pirker, Piscarreta, Podestà, Poettering, Pomés Ruiz, Posselt, Pronk, Quisthoudt-Rowohl, Radwan, Redondo Jiménez, Ripoll y Martínez de Bedoya, Røvsing, Rübig, Sacrédeus, Salafranca Sánchez-Neyra, Santer, Santini, Sartori, Scapagnini, Schaffner, Schierhuber, Schleicher, Schmitt, Schröder Jürgen, Schwaiger, Smet, Sommer, Stenmarck, Stenzel, Stockton, Sudre, Suominen, Tajani, Theato, Thyssen, Trakatellis, Valdivielso de Cué, Varela Suanzes-Carpegna, van Velzen, de Veyrinas, Vidal-Quadras Roca, Vlasto, Wenzel-Perillo, Wijkman, von Wogau, Wuermeling, Zabell, Zacharakis, Zappalà, Zimmerling, Zissener

PSE: Andersson, Aparicio Sánchez, Baltas, Berenguer Fuster, Berès, van den Berg, Berger, Bösch, Bowe, Bullmann, Campos, Carlotti, Casaca, Cercas, Corbett, Corbey, Darras, De Keyser, De Rossa, Désir, Díez González, Dührkop Dührkop, Duhamel, El Khadraoui, Ettl, Evans Robert J.E., Färm, Fava, Ferreira, Ford, Fruteau, Garot, Gebhardt, Gill, Gillig, Glante, Görlach, Gröner, Guy-Quint, Hänsch, Haug, Hazan, Hedkvist Petersen, Honeyball, Howitt, Hughes, van Hulten, Hume, Iivari, Imbeni, Izquierdo Collado, Izquierdo Rojo, Jöns, Junker, Karamanou, Karlsson, Katiforis, Keßler, Kindermann, Kinnock, Koukiadis, Krehl, Kreissl-Dörfler, Kuckelkorn, Kuhne, Lage, Lalumière, Lange, Lavarra, Leinen, Linkohr, Lund, McAvan, McCarthy, McNally, Malliori, Mann Erika, Marinho, Martin David W., Martin Hans-Peter, Martínez Martínez, Mastorakis, Medina Ortega, Mendiluce Pereiro, Menéndez del Valle, Miguélez Ramos, Miller, Miranda de Lage, Moraes, Morgan, Müller, Murphy, Myller, Napoletano, O'Toole, Paasilinna, Paciotti, Patrie, Piecyk, Pittella, Poignant, Poos, Prets, Rapkay, Read, Rocard, Roth-Behrendt, Rothe, Rothley, Roure, Ruffolo, Sacconi, Sakellariou, Sandberg-Fries, dos Santos, Sauquillo Pérez del Arco, Savary, Scheele, Schmid Gerhard, Schulz, Simpson, Skinner, Soares, Sornosa Martínez, Souladakis, Sousa Pinto, Stihler, Stockmann, Swibel, Swoboda, Theorin, Thorning-Schmidt, Titley, Torres Marques, Vairinhos, Van Lancker, Volcic, Walter, Watts, Weiler, Whitehead, Wiersma, Wynn, Zorba, Zrihen

UEN: Andrews, Berlato, Bigliardo, Camre, Collins, Crowley, Fitzsimons, Hyland, Marchiani, Muscardini, Mussa, Nobilia, Ó Neachtain, Pasqua, Poli Bortone, Ribeiro e Castro, Segni, Thomas-Mauro, Turchi

Verts/ALE: Aaltonen, Auroi, Boumediene-Thiery, Bouwman, Breyer, Buitenweg, Celli, Cohn-Bendit, Dhaene, Echerer, Evans Jillian, Ferrández Lezaun, Flautre, Frassoni, Gahrton, Graefe zu Baringdorf, Hudghton, Isler Béguin, Jonckheer, Lagendijk, Lambert, Lannoye, Lipietz, Lucas, McKenna, Maes, Mayol i Raynal, Onesta, Piétrasanta, Rod, de Roo, Rühle, Schörling, Schroedter, Sörensen, Turmes, Voggenhuber, Wuori, Wyn

Against: 38

EDD: Booth, Farage, Titford

PPE-DE: Atkins, Balfe, Beazley, Bowis, Bradbourn, Bushill-Matthews, Callanan, Chichester, Corrie, Dover, Elles, Florenz, Foster, Goodwill, Hannan, Harbour, Heaton-Harris, Helmer, Inglewood, Jackson, Khanbhai, Kirkhope, Nicholson, Perry, Provan, Purvis, Scallon, Stevenson, Sturdy, Sumberg, Tannock, Twinn, Van Orden, Villiers

PSE: Dehousse

Herzog report A5-0484/2003

Amendment 38

For: 229

EDD: Andersen, Bonde, Sandbæk

ELDR: Di Pietro, Sbarbati

GUE/NGL: Ainardi, Bakopoulos, Bergaz Conesa, Bertinotti, Boudjenah, Brie, Caudron, Di Lello Finuoli, Fiebigler, Figueiredo, Frahm, Fraisse, Herzog, Jové Peres, Kaufmann, Koulourianos, Manisco, Markov, Maset Campos, Meijer, Modrow, Nair, Patakis, Puerta, Scarbonchi, Schröder Ilka, Seppänen, Sjöstedt, Vinci, Wurtz

Wednesday 14 January 2004

NI: Borghezio, Gobbo, Gorostiaga Atxalandabaso, Speroni

PPE-DE: Konrad, Maat, Santer, Smet, Thyssen

PSE: Andersson, Aparicio Sánchez, Baltas, Berenguer Fuster, Berès, van den Berg, Berger, Bösch, Bowe, Bullmann, Campos, Carlotti, Casaca, Cercas, Ceyhun, Corbett, Corbey, Darras, Dehousse, De Keyser, De Rossa, Désir, Díez González, Dührkop Dührkop, Duhamel, Duin, El Khadraoui, Ettl, Evans Robert J.E., Färm, Fava, Ferreira, Ford, Fruteau, Garot, Gebhardt, Gill, Gillig, Glante, Goebbels, Görlach, Gröner, Guy-Quint, Hänsch, Haug, Hazan, Hedkvist Petersen, Honeyball, Howitt, Hughes, van Hulten, Hume, Iivari, Imbeni, Izquierdo Collado, Izquierdo Rojo, Jöns, Junker, Karamanou, Karlsson, Katiforis, Keßler, Kindermann, Kinnock, Koukiadis, Krehl, Kreissl-Dörfler, Kuckelkorn, Kuhne, Lage, Lalumière, Lange, Lavarra, Leinen, Linkohr, Lund, McAvan, McNally, Malliori, Mann Erika, Marinho, Martin David W., Martin Hans-Peter, Martínez Martínez, Mastorakis, Medina Ortega, Mendiluce Pereiro, Menéndez del Valle, Miguélez Ramos, Miller, Miranda de Lage, Moraes, Morgan, Müller, Murphy, Myller, Napolitano, O'Toole, Paasilinna, Paciotti, Patrie, Piecyk, Pittella, Poignant, Poos, Prets, Rapkay, Read, Rocard, Roth-Behrendt, Rothe, Rothley, Roure, Ruffolo, Sacconi, Sakellariou, Sandberg-Fries, dos Santos, Sauquillo Pérez del Arco, Savary, Scheele, Schmid Gerhard, Schulz, Simpson, Skinner, Soares, Sornosa Martínez, Souladakis, Sousa Pinto, Stihler, Stockmann, Swiebel, Swoboda, Theorin, Thorning-Schmidt, Titley, Torres Marques, Vairinhos, Van Lancker, Volcic, Walter, Watts, Weiler, Whitehead, Wiersma, Wynn, Zorba, Zrihen

Verts/ALE: Aaltonen, Ahern, Bouwman, Breyer, Buitenweg, Celli, Cohn-Bendit, Dhaene, Echerer, Evans Jillian, Ferrández Lezaun, Flautre, Frassoni, Gahrton, Graefe zu Baringdorf, Hudghton, Isler Béguin, Jonckheer, Lagendijk, Lambert, Lannoye, Lipietz, Lucas, McCormick, McKenna, Maes, Mayol i Raynal, Onesta, de Roo, Rühle, Schörling, Schroedter, Sörensen, Turmes, Voggenhuber, Wuori, Wyn

Against: 290

EDD: Abitbol, Belder, Bernié, Blokland, Booth, Butel, Coûteaux, van Dam, Esclopé, Farage, Kuntz, Mathieu, Saint-Josse, Titford

ELDR: Andreasen, André-Léonard, Attwooll, Busk, Calò, Clegg, Costa Paolo, Davies, De Clercq, Duff, Dybkjær, Flesch, Formentini, Gasòliba i Böhm, Huhne, Jensen, Ludford, Lynne, Maaten, Malmström, Manders, Martelli, Monsonís Domingo, Mulder, Newton Dunn, Nordmann, Olsson, Paulsen, Pesälä, Plooi-jan Gorsel, Pohjamo, Procacci, Ries, Riis-Jørgensen, Rutelli, Schmidt, Sterckx, Sørensen, Thors, Väyrynen, Vallvé, Van Hecke, Vermeer, Virrankoski, Wallis, Watson

GUE/NGL: Bordes, Cauquil, Laguiller

NI: Berthu, Beysen, Bonino, Cappato, Della Vedova, Dupuis, Hager, Ilgenfritz, Kronberger, de La Perriere, Paisley, Pannella, Souchet, Turco

PPE-DE: Almeida Garrett, Andria, Arvidsson, Atkins, Averoff, Avilés Perea, Ayuso González, Balfe, Banotti, Bastos, Bayona de Perogordo, Beazley, Bébéar, Berend, Bodrato, Böge, von Boetticher, Bourlanges, Bowis, Bradbourn, Bremmer, Brienza, Brok, Brunetta, Bushill-Matthews, Callanan, Camisón Asensio, Cardoso, Cederschiöld, Chichester, Cocilovo, Coelho, Cornillet, Corrie, Costa Raffaele, Cushnahan, Daul, Deprez, Descamps, De Veyrac, Dimitrakopoulos, Dover, Doyle, Ebner, Elles, Fatuzzo, Ferber, Fernández Martín, Ferrer, Ferri, Fiori, Flemming, Florenz, Folias, Foster, Fourtou, Friedrich, Gahler, Galeote Quecedo, García-Margallo y Marfil, García-Orcoyen Tormo, Gargani, Gawronski, Gemelli, Gil-Robles Gil-Delgado, Glase, Goepel, Gomolka, Goodwill, Gouveia, Graça Moura, Grönfeldt Bergman, Grosch, Grossetête, Hannan, Hansenne, Harbour, Hatzidakis, Heaton-Harris, Helmer, Hermange, Hernández Mollar, Herranz García, Hieronymi, Inglewood, Jackson, Jarzembowski, Jeggle, Karas, Kastler, Keppelhoff-Wiechert, Khanbhai, Kirkhope, Klamt, Klauf, Koch, Kratsa-Tsagaropoulou, Lamassoure, Langen, Laschet, Lechner, Lehne, Liese, Lisi, Lombardo, Lulling, McCartin, McMillan-Scott, Mann Thomas, Mantovani, Marini, Marinos, Marques, Martens, Matikainen-Kallström, Mauro, Mayer Hans-Peter, Mayer Xaver, Méndez de Vigo, Menrad, Mombaur, Morillon, Musotto, Naranjo Escobar, Nicholson, Niebler, Nisticò, Oomen-Ruijten, Oreja Arburúa, Pacheco Pereira, Pack, Parish, Pastorelli, Pérez Álvarez, Perry, Pex, Pirker, Piscarreta, Podestà, Poettering, Pomés Ruiz, Posselt, Pronk, Provan, Purvis, Quisthoudt-Rowohl, Radwan, Redondo Jiménez, Ripoll y Martínez de Bedoya, Roving, Rübig, Sacrédeus, Salafraña Sánchez-Neyra, Santini, Sartori, Scallon, Scapagnini, Schaffner, Schierhuber, Schmitt, Schröder Jürgen, Schwaiger, Sommer, Stenmark, Stenzel, Stevenson, Stockton, Sturdy, Sudre, Sumberg, Suominen, Tajani, Tannock, Theato, Trakatellis, Twinn, Valdivielso de Cué, Van Orden, Varela Suanzes-Carpegna, van Velzen, de Veyrinas, Vidal-Quadras Roca, Villiers, Vlasto, Wenzel-Perillo, Wijkman, von Wogau, Wuermeling, Zabell, Zacharakis, Zappalà, Zimmerling, Zissener

Wednesday 14 January 2004

PSE: McCarthy**UEN:** Andrews, Berlato, Bigliardo, Camre, Collins, Crowley, Fitzsimons, Hyland, Marchiani, Muscardini, Mussa, Nobilia, Ó Neachtain, Pasqua, Poli Bortone, Ribeiro e Castro, Segni, Thomas-Mauro, Turchi**Abstention: 15****GUE/NGL:** Blak, Krivine, Schmid Herman, Vachetta**NI:** Claeys, Dillen, Garaud, de Gaulle, Gollnisch, Lang, Martinez, Stirbois**Verts/ALE:** Boumediene-Thiery, Piétrasanta, Rod**Herzog report A5-0484/2003****Amendment 12/rev.****For: 120****EDD:** Abitbol, Andersen, Bernié, Bonde, Butel, Coûteaux, Esclopé, Kuntz, Mathieu, Saint-Josse, Sandbæk**GUE/NGL:** Ainardi, Bakopoulos, Bergaz Conesa, Bertinotti, Bordes, Boudjenah, Brie, Caudron, Cauquil, Di Lello Finuoli, Fiebiger, Figueiredo, Fraisse, Herzog, Jové Peres, Kaufmann, Koulourianos, Krivine, Laguiller, Manisco, Markov, Marset Campos, Meijer, Modrow, Naïr, Patakis, Puerta, Scarbonchi, Schmid Herman, Schröder Ilka, Vachetta, Vinci, Wurtz**NI:** Berthu, Borghezio, Claeys, Dillen, Garaud, de Gaulle, Gobbo, Gollnisch, Gorostiaga Atxalandabaso, Lang, Martinez, Speroni, Stirbois**PPE-DE:** Konrad**PSE:** Berès, Carlotti, Corbett, De Keyser, Désir, El Khadraoui, Fava, Ferreira, Fruteau, Gillig, Glante, Guy-Quint, Hazan, Martin Hans-Peter, Patrie, Poignant, Roure, Savary, Scheele, Van Lancker, Zrihen**Verts/ALE:** Aaltonen, Ahern, Auroi, Boumediene-Thiery, Bouwman, Breyer, Buitenweg, Celli, Cohn-Bendit, Dhaene, Echerer, Evans Jillian, Ferrández Lezaun, Flautre, Frassoni, Gahrton, Graefe zu Baringdorf, Hudghton, Isler Béguin, Jonckheer, Lagendijk, Lambert, Lannoye, Lipietz, Lucas, MacCormick, McKenna, Maes, Mayol i Raynal, Onesta, Piétrasanta, Rod, de Roo, Rühle, Schörling, Schroedter, Sørensen, Turmes, Voggenhuber, Wuori, Wyn**Against: 409****EDD:** Belder, Blokland, Booth, van Dam, Farage, Titford**ELDR:** Andreasen, André-Léonard, Attwooll, Busk, Calò, Clegg, Costa Paolo, Davies, De Clercq, Duff, Dybkjær, Fleisch, Formentini, Gasòliba i Böhm, Huhne, Jensen, Ludford, Lynne, Maaten, Malmström, Manders, Martelli, Monsonís Domingo, Mulder, Newton Dunn, Nordmann, Olsson, Paulsen, Pesälä, Plooijs-van Gorsel, Pohjamo, Procacci, Ries, Riis-Jørgensen, Rutelli, Sbarbati, Schmidt, Sterckx, Sørensen, Thors, Väyrynen, Vallvé, Vermeer, Virrankoski, Wallis, Watson**GUE/NGL:** Blak, Frahm, Seppänen, Sjöstedt**NI:** Beysen, Bonino, Cappato, Della Vedova, Dupuis, Hager, Ilgenfritz, Pannella, Turco**PPE-DE:** Almeida Garrett, Arvidsson, Atkins, Averoff, Avilés Perea, Ayuso González, Balfe, Banotti, Bartolozzi, Bastos, Bayona de Perogordo, Beazley, Bébéar, Berend, Bodrato, Böge, von Boetticher, Boulangeres, Bowis, Bradbourn, Bremmer, Brienza, Brok, Brunetta, Bushill-Matthews, Callanan, Camisón Asensio, Cardoso, Cederschiöld, Chichester, Cocilovo, Coelho, Cornillet, Corrie, Costa Raffaele, Cushnahan, Daul, Deprez, Descamps, De Veyrac, Dimitrakopoulos, Dover, Doyle, Ebner, Elles, Fatuzzo, Ferber, Fernández Martín, Ferrer, Ferri, Fiori, Flemming, Florenz, Folias, Foster, Fourtou, Friedrich, Gahler, Galeote Quecedo, García-Margallo y Marfil, García-Orcyoyen Tormo, Gargani, Garriga Polledo, Gawronski, Gemelli, Gil-Robles Gil-Delgado, Glase, Goepel, Gomolka, Goodwill, Gouveia, Graça Moura, Grönfeldt Bergman, Grosch, Grossetête, Hannan, Hansenne, Harbour, Hatzidakis, Heaton-Harris, Helmer, Hermange, Hernández Mollar, Herranz García, Hieronymi, Inglewood, Jackson, Jarzembowski, Jeggle, Karas, Kastler, Keppelhoff-Wiechert, Khanbhai, Kirkhope, Klamt, Klaß, Koch, Korhola, Kratsa-Tsagaropoulou,

Wednesday 14 January 2004

Lamassoure, Langen, Laschet, Lechner, Lehne, Liese, Lisi, Lombardo, Lulling, Maat, McCartin, McMillan-Scott, Mann Thomas, Mantovani, Marini, Marinos, Marques, Martens, Matikainen-Kallström, Mauro, Mayer Hans-Peter, Mayer Xaver, Méndez de Vigo, Menrad, Mombaur, Morillon, Musotto, Naranjo Escobar, Nicholson, Niebler, Nisticò, Oomen-Ruijten, Oreja Arburúa, Pacheco Pereira, Pack, Parish, Pastorelli, Pérez Álvarez, Perry, Pex, Pirker, Piscarreta, Podestà, Poettering, Pomés Ruiz, Posselt, Pronk, Provan, Purvis, Quisthoudt-Rowohl, Radwan, Redondo Jiménez, Ripoll y Martínez de Bedoya, Roving, Rübig, Sacrédeus, Salafranca Sánchez-Neyra, Santer, Santini, Sartori, Scallon, Scapagnini, Schaffner, Schierhuber, Schleicher, Schmitt, Schröder Jürgen, Schwaiger, Smet, Sommer, Stenmarck, Stenzel, Stevenson, Stockton, Sturdy, Sudre, Sumberg, Suominen, Tajani, Tannock, Theato, Thyssen, Trakatellis, Twinn, Valdivielso de Cué, Van Orden, Varela Suanzes-Carpegna, van Velzen, de Veyrinas, Vidal-Quadras Roca, Villiers, Vlasto, Wenzel-Perillo, Wijkman, von Wogau, Wuermeling, Zabell, Zacharakis, Zappalà, Zimmerling, Zissener

PSE: Andersson, Aparicio Sánchez, Baltas, van den Berg, Berger, Bösch, Bowe, Bullmann, Campos, Casaca, Cercas, Ceyhun, Corbey, Darras, Dehousse, De Rossa, Díez González, Dührkop Dührkop, Duhamel, Duin, Ettl, Evans Robert J.E., Färm, Ford, Garot, Gebhardt, Gill, Goebbels, Görlach, Gröner, Hänsch, Haug, Hedkvist Petersen, Honeyball, Howitt, Hughes, van Hulst, Hume, Iivari, Imbeni, Izquierdo Collado, Izquierdo Rojo, Jöns, Karamanou, Karlsson, Katiforis, Keßler, Kindermann, Kinno, Koukiadis, Krehl, Kreissl-Dörfler, Kuckelkorn, Kuhne, Lage, Lalumière, Lange, Lavarra, Leinen, Linkohr, Lund, McAvan, McCarthy, McNally, Malliori, Mann Erika, Marinho, Martin David W., Martínez Martínez, Mastorakis, Medina Ortega, Mendiluce Pereiro, Menéndez del Valle, Miguélez Ramos, Miller, Miranda de Lage, Moraes, Morgan, Müller, Murphy, Myller, Napoletano, O'Toole, Paasilinna, Paciotti, Piecyk, Pittella, Poos, Prets, Rapkay, Read, Roth-Behrendt, Rothe, Rothley, Ruffolo, Sacconi, Sakellariou, Sandberg-Fries, dos Santos, Sauquillo Pérez del Arco, Schmid Gerhard, Schulz, Simpson, Skinner, Soares, Sornosa Martínez, Souladakis, Sousa Pinto, Stihler, Stockmann, Swiebel, Swoboda, Theorin, Thorning-Schmidt, Titley, Torres Marques, Vairinhos, Volcic, Walter, Watts, Weiler, Whitehead, Wiersma, Wynn, Zorba

UEN: Andrews, Berlato, Bigliardo, Camre, Collins, Crowley, Fitzsimons, Hyland, Marchiani, Muscardini, Mussa, Nobilia, Ó Neachtain, Pasqua, Poli Bortone, Ribeiro e Castro, Segni, Thomas-Mauro, Turchi

Abstention: 6

ELDR: Van Hecke

NI: Kronberger, de La Perriere, Paisley, Souchet

PPE-DE: Andria

Herzog report A5-0484/2003

Amendment 57

For: 238

ELDR: Costa Paolo, Di Pietro, Rutelli, Sbarbati, Van Hecke

GUE/NGL: Ainardi, Bakopoulos, Bergaz Conesa, Bertinotti, Boudjenah, Brie, Caudron, Di Lello Finuoli, Fiebigler, Figueiredo, Fraisse, Herzog, Jové Peres, Kaufmann, Koulourianos, Manisco, Markov, Marset Campos, Meijer, Modrow, Naïr, Puerta, Scarbonchi, Schröder Ilka, Vinci, Wurtz

NI: Borghezio, Garaud, Gobbo, Gorostiaga Atxalandabaso, Speroni

PPE-DE: Bodrato, Bourlanges, Cornillet, Costa Raffaele, Descamps, De Veyrac, Ebner, Ferrer, Fourtou, Grossetête, Hermange, Lamassoure, Morillon, Schaffner, Sudre, Thyssen

PSE: Andersson, Aparicio Sánchez, Baltas, Berenguer Fuster, Berès, van den Berg, Berger, Bösch, Bowe, Bullmann, Campos, Carlotti, Casaca, Cercas, Ceyhun, Corbett, Corbey, Darras, Dehousse, De Keyser, De Rossa, Désir, Díez González, Dührkop Dührkop, Duhamel, Duin, El Khadraoui, Ettl, Evans Robert J.E., Färm, Fava, Ferreira, Ford, Fruteau, Garot, Gebhardt, Gill, Gillig, Glante, Goebbels, Görlach, Gröner, Guy-Quint, Haug, Hazan, Hedkvist Petersen, Honeyball, Howitt, Hughes, van Hulst, Hume, Iivari, Imbeni, Izquierdo Collado, Izquierdo Rojo, Jöns, Junker, Karamanou, Karlsson, Katiforis, Keßler, Kindermann, Kinno, Koukiadis, Krehl, Kreissl-Dörfler, Kuckelkorn, Kuhne, Lage, Lalumière, Lange, Lavarra, Leinen, Linkohr, Lund, McAvan, McCarthy, McNally, Malliori, Mann Erika, Marinho, Martin David W., Martin Hans-Peter, Martínez Martínez, Mastorakis, Medina Ortega, Mendiluce Pereiro, Menéndez del Valle, Miguélez Ramos, Miller, Miranda de Lage, Moraes, Morgan, Müller, Murphy, Myller, Napoletano, O'Toole, Paciotti, Patrie, Piecyk, Pittella, Poignant, Poos, Prets, Rapkay, Read, Rocard, Roth-Behrendt, Rothe, Rothley,

Wednesday 14 January 2004

Roure, Ruffolo, Sacconi, Sakellariou, Sandberg-Fries, dos Santos, Sauquillo Pérez del Arco, Savary, Scheele, Schmid Gerhard, Schulz, Simpson, Soares, Sornosa Martínez, Souladakis, Sousa Pinto, Stihler, Stockmann, Swiebel, Swoboda, Theorin, Thorning-Schmidt, Titley, Torres Marques, Vairinhos, Van Lancker, Volcic, Walter, Watts, Weiler, Whitehead, Wiersma, Wynn, Zorba, Zrihen

Verts/ALE: Aaltonen, Ahern, Auroi, Boumediene-Thiery, Bouwman, Breyer, Buitenweg, Celli, Cohn-Bendit, Dhaene, Echerer, Evans Jillian, Ferrández Lezaun, Flautre, Frassoni, Graefe zu Baringdorf, Hudghton, Isler Béguin, Jonckheer, Lagendijk, Lambert, Lannoye, Lipietz, Lucas, MacCormick, McKenna, Maes, Mayol i Raynal, Onesta, Piétrasanta, Rod, de Roo, Rühle, Schörling, Schroedter, Sörensen, Turmes, Voggenhuber, Wuori, Wyn

Against: 291

EDD: Abitbol, Andersen, Belder, Bernié, Blokland, Bonde, Booth, Butel, Coûteaux, van Dam, Esclopé, Farage, Kuntz, Mathieu, Saint-Josse, Sandbæk, Titford

ELDR: Andreasen, André-Léonard, Attwooll, Busk, Calò, Clegg, Davies, De Clercq, Duff, Dybkjær, Fleisch, Formentini, Gasòliba i Böhm, Huhne, Jensen, Ludford, Lynne, Maaten, Malmström, Manders, Martelli, Monsonís Domingo, Mulder, Newton Dunn, Olsson, Paulsen, Pesälä, Plooij-van Gorsel, Pohjamo, Procacci, Ries, Riis-Jørgensen, Schmidt, Sterckx, Sørensen, Thors, Väyrynen, Vallvé, Vermeer, Virrankoski, Wallis, Watson

GUE/NGL: Blak, Bordes, Cauquil, Frahm, Laguiller, Schmid Herman, Seppänen, Sjøstedt

NI: Berthu, Beysen, Bonino, Cappato, Claeys, Della Vedova, Dillen, Dupuis, de Gaulle, Gollnisch, Hager, Ilgenfritz, Kronberger, Lang, de La Perriere, Martinez, Paisley, Pannella, Souchet, Stirbois, Turco

PPE-DE: Almeida Garrett, Arvidsson, Atkins, Averoff, Avilés Perea, Ayuso González, Balfe, Banotti, Bartolozzi, Bastos, Bayona de Perogordo, Beazley, Bébéar, Berend, Böge, von Boetticher, Bowis, Bradbourn, Bremmer, Brok, Brunetta, Bushill-Matthews, Callanan, Camisón Asensio, Cardoso, Cederschiöld, Chichester, Cocilovo, Coelho, Corrie, Cushnahan, Daul, Deprez, Dimitrakopoulos, Dover, Doyle, Elles, Fatuzzo, Ferber, Fernández Martín, Ferri, Fiori, Flemming, Florenz, Folias, Foster, Friedrich, Gähler, Galeote Quecedo, García-Orcoyen Tormo, Gargani, Garriga Polledo, Gawronski, Gemelli, Gil-Robles Gil-Delgado, Glase, Goepel, Gomolka, Goodwill, Gouveia, Graça Moura, Grönfeldt Bergman, Grosch, Hannan, Hansenne, Harbour, Hatzidakis, Heaton-Harris, Helmer, Hernández Mollar, Herranz García, Hieronymi, Inglewood, Jackson, Jarzembowski, Jeggel, Karas, Kastler, Keppelhoff-Wiechert, Khanbhai, Kirkhope, Klamt, Klaß, Koch, Konrad, Korhola, Kratsa-Tsagaropoulou, Langen, Laschet, Lechner, Lehne, Liese, Lisi, Lombardo, Lulling, Maat, McCartin, McMillan-Scott, Mann Thomas, Mantovani, Marini, Marinos, Martens, Matikainen-Kallström, Mauro, Mayer Hans-Peter, Mayer Xaver, Méndez de Vigo, Menrad, Mombaur, Musotto, Naranjo Escobar, Nicholson, Niebler, Nisticò, Oomen-Ruijten, Oreja Arburúa, Pacheco Pereira, Pack, Parish, Pastorelli, Pérez Álvarez, Perry, Pex, Pirker, Piscarreta, Podestà, Poettering, Pomés Ruiz, Posselt, Pronk, Provan, Purvis, Quisthoudt-Rowohl, Radwan, Redondo Jiménez, Ripoll y Martínez de Bedoya, Røvsing, Rübige, Sacrédeus, Salafranca Sánchez-Neyra, Santer, Santini, Sartori, Scallon, Scapagnini, Schierhuber, Schleicher, Schmitt, Schröder Jürgen, Schwaiger, Smet, Sommer, Stenmarck, Stenzel, Stevenson, Stockton, Sturdy, Sumberg, Suominen, Tajani, Tannock, Theato, Trakatellis, Twinn, Valdivielso de Cué, Van Orden, Varela Suanzes-Carpegna, van Velzen, de Veyrinas, Vidal-Quadras Roca, Villiers, Vlasto, Wenzel-Perillo, Wijkman, von Wogau, Wuermeling, Zabell, Zacharakis, Zappalà, Zimmerling, Zissener

PSE: Paasilinna, Skinner

UEN: Andrews, Berlato, Bigliardo, Camre, Collins, Crowley, Fitzsimons, Hyland, Marchiani, Muscardini, Mussa, Musumeci, Nobilia, Ó Neachtain, Pasqua, Poli Bortone, Ribeiro e Castro, Segni, Thomas-Mauro

Abstention: 8

ELDR: Nordmann

GUE/NGL: Krivine, Patakis, Vachetta

PPE-DE: Andria, Marques

PSE: Hänsch

Verts/ALE: Gahrton

Wednesday 14 January 2004

Herzog report A5-0484/2003

Amendment 18, 1st part

For: 248

EDD: Abitbol, Belder, Blokland, van Dam, Kuntz

ELDR: Attwooll, Costa Paolo, Davies, Formentini, Lynne, Nordmann, Procacci, Rutelli, Sbarbati, Van Hecke

GUE/NGL: Ainardi, Bakopoulos, Bergaz Conesa, Bertinotti, Blak, Boudjenah, Brie, Caudron, Di Lello Finuoli, Fiebiger, Figueiredo, Fraisse, Herzog, Jové Peres, Kaufmann, Koulourianos, Manisco, Markov, Marset Campos, Meijer, Modrow, Näir, Puerta, Scarbonchi, Schröder Ilka, Vinci, Wurtz

NI: Borghezio, Garaud, Gobbo, Gorostiaga Atxalandabaso, Speroni

PPE-DE: Cocilovo, Ebner, Ferrer, Fourtou, Gil-Robles Gil-Delgado, Hansenne, Lamassoure, Maat, Oomen-Ruijten, Pex, Pronk, Santer, Smet, Thyssen, van Velzen, Vlasto, Wijkman

PSE: Andersson, Aparicio Sánchez, Baltas, Berenguer Fuster, Berès, van den Berg, Berger, Bösch, Bowe, Bullmann, Campos, Carlotti, Casaca, Cercas, Ceyhun, Corbett, Corbey, Darras, Dehousse, De Keyser, De Rossa, Désir, Díez González, Dührkop Dührkop, Duhamel, Duin, El Khadraoui, Ettl, Evans Robert J.E., Färm, Fava, Ferreira, Ford, Fruteau, Garot, Gebhardt, Gill, Gillig, Glante, Goebbels, Görlach, Gröner, Guy-Quint, Hänsch, Haug, Hazan, Hedkvist Petersen, Honeyball, Howitt, Hughes, Hume, Iivari, Imbeni, Izquierdo Collado, Izquierdo Rojo, Jöns, Junker, Karamanou, Karlsson, Katiforis, Keßler, Kindermann, Kinnock, Koukiadis, Krehl, Kreissl-Dörfler, Kuckelkorn, Kuhne, Lage, Lalumière, Lange, Lavarra, Leinen, Linkohr, Lund, McAvan, McCarthy, McNally, Malliori, Mann Erika, Marinho, Martin David W., Martin Hans-Peter, Martínez Martínez, Mastorakis, Medina Ortega, Mendiluce Pereiro, Menéndez del Valle, Miguélez Ramos, Miller, Miranda de Lage, Moraes, Morgan, Müller, Murphy, Myller, Napolitano, O'Toole, Paasilinna, Paciotti, Patrie, Piecyk, Pittella, Poignant, Poos, Prets, Rapkay, Read, Rocard, Roth-Behrendt, Rothe, Rothley, Roure, Ruffolo, Sacconi, Sakellariou, Sandberg-Fries, dos Santos, Sauquillo Pérez del Arco, Scheele, Schmid Gerhard, Schulz, Simpson, Soares, Sornosa Martínez, Souladakis, Sousa Pinto, Stihler, Stockmann, Swibel, Swoboda, Theorin, Thorning-Schmidt, Titley, Torres Marques, Vairinhos, Van Lancker, Volcic, Walter, Watts, Weiler, Whitehead, Wiersma, Wynn, Zorba, Zrihen

Verts/ALE: Aaltonen, Ahern, Auroi, Bouwman, Breyer, Buitenweg, Celli, Cohn-Bendit, Dhaene, Echerer, Evans Jillian, Ferrández Lezaun, Flautre, Frassoni, Graefe zu Baringdorf, Hudghton, Isler Béguin, Jonckheer, Legendijk, Lambert, Lannoye, Lipietz, Lucas, MacCormick, McKenna, Maes, Mayol i Raynal, Onesta, Piétrasanta, de Roo, Rühle, Schörling, Schroedter, Sørensen, Turmes, Voggenhuber, Wuori, Wyn

Against: 274

EDD: Bernié, Booth, Butel, Esclopé, Farage, Mathieu, Saint-Josse, Titford

ELDR: Andreasen, André-Léonard, Busk, Calò, Clegg, De Clercq, Duff, Dybkjær, Fleisch, Gasòliba i Böhm, Huhne, Jensen, Ludford, Maaten, Malmström, Manders, Martelli, Monsonís Domingo, Mulder, Newton Dunn, Olsson, Paulsen, Pesälä, Plooi-j-van Gorsel, Pohjamo, Ries, Riis-Jørgensen, Schmidt, Sterckx, Sørensen, Thors, Väyrynen, Vallvé, Vermeer, Virrankoski, Wallis, Watson

GUE/NGL: Bordes, Cauquil, Laguiller

NI: Berthu, Beysen, Bonino, Cappato, Claeys, Della Vedova, Dillen, Dupuis, de Gaulle, Gollnisch, Hager, Ilgenfritz, Kronberger, Lang, de La Perriere, Martinez, Paisley, Pannella, Souchet, Stirbois, Turco

PPE-DE: Almeida Garrett, Andria, Arvidsson, Atkins, Averoff, Avilés Perea, Ayuso González, Balfé, Banotti, Bartolozzi, Bastos, Bayona de Perogordo, Beazley, Bébéar, Berend, Bodrato, Böge, von Boetticher, Bourlanges, Bowis, Bradbourn, Bremmer, Brienza, Brok, Brunetta, Bushill-Matthews, Callanan, Camisón Asensio, Cardoso, Cederschiöld, Chichester, Coelho, Cornillet, Corrie, Costa Raffaele, Cushnahan, Daul, Deprez, Descamps, De Veyrac, Dimitrakopoulos, Dover, Doyle, Elles, Fatuzzo, Ferber, Fernández Martín, Ferri, Fiori, Flemming, Florenz, Folias, Foster, Friedrich, Gahler, Galeote Quecedo, García-Margallo y Marfil, García-Orcoyen Tormo, Gargani, Garriga Polledo, Gawronski, Gemelli, Goepel, Gomolka, Goodwill, Gouveia, Graça Moura, Grönfeldt Bergman, Grosch, Grossetête, Hannan, Harbour, Hatzidakis, Heaton-Harris, Helmer, Hermange, Hernández Mollar, Herranz García, Hieronymi, Inglewood, Jackson,

Wednesday 14 January 2004

Jarzembowski, Jeggle, Karas, Kastler, Keppelhoff-Wiechert, Khanbhai, Kirkhope, Klamt, Klaß, Koch, Konrad, Korhola, Kratsa-Tsagaropoulou, Langen, Laschet, Lechner, Lehne, Liese, Lisi, Lombardo, Lulling, McCartin, McMillan-Scott, Mann Thomas, Mantovani, Marini, Marinos, Marques, Martens, Matikainen-Kallström, Mauro, Mayer Hans-Peter, Mayer Xaver, Méndez de Vigo, Menrad, Mombaur, Morillon, Musotto, Naranjo Escobar, Nicholson, Niebler, Nisticò, Oreja Arburúa, Pacheco Pereira, Pack, Parish, Pastorelli, Pérez Álvarez, Perry, Pirker, Piscarreta, Podestà, Poettering, Pomés Ruiz, Posselt, Provan, Purvis, Quisthoudt-Rowohl, Radwan, Redondo Jiménez, Ripoll y Martínez de Bedoya, Røvsing, Rübige, Sacrédeus, Salafranca Sánchez-Neyra, Santini, Sartori, Scallon, Scapagnini, Schaffner, Schierhuber, Schleicher, Schmitt, Schröder Jürgen, Schwaiger, Sommer, Stenmarck, Stenzel, Stevenson, Stockton, Sturdy, Sudre, Sumberg, Suominen, Tajani, Tannock, Theato, Trakatellis, Twinn, Valdivielso de Cué, Van Orden, Varela Suanzes-Carpegna, Vidal-Quadras Roca, Villiers, Wenzel-Perillo, von Wogau, Wuermeling, Zabell, Zacharakis, Zappalà, Zimmerling, Zissener

PSE: Skinner

UEN: Andrews, Berlato, Bigliardo, Camre, Collins, Crowley, Fitzsimons, Hyland, Marchiani, Muscardini, Mussa, Musumeci, Nobilia, Ó Neachtain, Pasqua, Poli Bortone, Queiró, Ribeiro e Castro, Segni, Thomas-Mauro, Turchi

Abstention: 16

EDD: Andersen, Bonde, Coûteaux, Sandbæk

ELDR: Di Pietro

GUE/NGL: Frahm, Krivine, Patakis, Schmid Herman, Seppänen, Sjöstedt, Vachetta

PPE-DE: Glase

Verts/ALE: Boumediene-Thiery, Gahrton, Rod

Herzog report A5-0484/2003

Amendment 18, 2nd part

For: 470

ELDR: Andreasen, André-Léonard, Attwooll, Busk, Calò, Clegg, Costa Paolo, Davies, De Clercq, Duff, Dybkjær, Flesch, Formentini, Gasòliba i Böhm, Huhne, Jensen, Ludford, Lynne, Maaten, Malmström, Manders, Martelli, Monsonís Domingo, Mulder, Newton Dunn, Nordmann, Olsson, Paulsen, Pesälä, Plooi-jvan Gorsel, Pohjamo, Procacci, Ries, Riis-Jørgensen, Rutelli, Sbarbati, Schmidt, Sterckx, Sørensen, Thors, Väyrynen, Vallvé, Van Hecke, Vermeer, Virrankoski, Wallis, Watson

GUE/NGL: Ainardi, Bakopoulos, Bergaz Conesa, Bertinotti, Blak, Boudjenah, Brie, Caudron, Di Lello Finuoli, Fiebiger, Figueiredo, Fraisse, Herzog, Jové Peres, Kaufmann, Koulourianos, Manisco, Markov, Marset Campos, Meijer, Modrow, Nair, Puerta, Scarbonchi, Vinci, Wurtz

NI: Beysen, Bonino, Borghesio, Cappato, Della Vedova, Dupuis, Gobbo, Gorostiaga Atxalandabaso, Ilgenfritz, Kronberger, Paisley, Pannella, Speroni, Turco

PPE-DE: Almeida Garrett, Andria, Arvidsson, Atkins, Averoff, Avilés Perea, Ayuso González, Balfe, Banotti, Bartolozzi, Bastos, Bayona de Perogordo, Beazley, Bébéar, Berend, Bodrato, Böge, von Boetticher, Bourlanges, Bowis, Bradbourn, Bremmer, Brienza, Brok, Brunetta, Bushill-Matthews, Callanan, Camisón Asensio, Cardoso, Cederschiöld, Chichester, Cocilovo, Coelho, Cornillet, Corrie, Costa Raffaele, Cushnahan, Daul, Deprez, Descamps, De Veyrac, Dimitrakopoulos, Dover, Doyle, Ebner, Elles, Fatuzzo, Ferber, Fernández Martín, Ferrer, Ferri, Fiori, Flemming, Florenz, Folias, Foster, Fourtou, Friedrich, Gahler, Galeote Quecedo, García-Margallo y Marfil, García-Orcoyen Tormo, Gargani, Garriga Polledo, Gawronski, Gemelli, Gil-Robles Gil-Delgado, Glase, Goepel, Gomolka, Goodwill, Gouveia, Graça Moura, Grönfeldt Bergman, Grosch, Grossetête, Hannan, Hansenne, Harbour, Hatzidakis, Heaton-Harris, Helmer, Hermange, Hernández Mollar, Herranz García, Hieronymi, Inglewood, Jackson, Jarzembowski, Jeggle, Karas, Kastler, Keppelhoff-Wiechert, Khanbhai, Kirkhope, Klamt, Klaß, Koch, Konrad, Korhola, Kratsa-Tsagaropoulou, Lamassoure, Langen, Laschet, Lechner, Lehne, Liese, Lisi, Lombardo, Lulling, Maat, McCartin, McMillan-

Wednesday 14 January 2004

Scott, Mann Thomas, Mantovani, Marini, Marinos, Marques, Martens, Matikainen-Kallström, Mauro, Mayer Hans-Peter, Mayer Xaver, Méndez de Vigo, Menrad, Mombaur, Morillon, Naranjo Escobar, Nicholson, Niebler, Nisticò, Oomen-Ruijten, Oreja Arburúa, Pacheco Pereira, Pack, Parish, Pastorelli, Pérez Álvarez, Perry, Pex, Pirker, Píscarreta, Podestà, Poettering, Pomés Ruiz, Posselt, Pronk, Provan, Purvis, Quisthoudt-Rowohl, Radwan, Redondo Jiménez, Ripoll y Martínez de Bedoya, Rovsing, Rübig, Sacrédeus, Salafranca Sánchez-Neyra, Santer, Santini, Sartori, Scallon, Scapagnini, Schaffner, Schierhuber, Schleicher, Schmitt, Schröder Jürgen, Schwaiger, Smet, Sommer, Stenmarck, Stenzel, Stevenson, Stockton, Sturdy, Sudre, Sumberg, Suominen, Tajani, Tannock, Theato, Thyssen, Trakatellis, Twinn, Valdivielso de Cué, Van Orden, Varela Suanzes-Carpegna, van Velzen, de Veyrinas, Vidal-Quadras Roca, Villiers, Vlasto, Wenzel-Perillo, Wijkman, von Wogau, Wuermeling, Zabell, Zacharakis, Zappalà, Zimmerling, Zissener

PSE: Andersson, Aparicio Sánchez, Baltas, Berenguer Fuster, Berès, van den Berg, Berger, Bösch, Bowe, Bullmann, Campos, Carlotti, Casaca, Cercas, Ceyhun, Corbett, Corbey, Darras, Dehousse, De Keyser, De Rossa, Díez González, Dührkop Dührkop, Duhamel, Duin, El Khadraoui, Ettl, Evans Robert J.E., Färm, Fava, Ford, Fruteau, Garot, Gebhardt, Gill, Gillig, Glante, Goebbels, Görlach, Gröner, Guy-Quint, Hänsch, Haug, Hazan, Hedkvist Petersen, Honeyball, Howitt, Hughes, van Hulten, Hume, Iivari, Imbeni, Izquierdo Collado, Izquierdo Rojo, Jöns, Junker, Karamanou, Karlsson, Katiforis, Keßler, Kindermann, Kinnock, Koukiadis, Krehl, Kreissl-Dörfler, Kuhne, Lage, Lalumière, Lange, Lavarra, Leinen, Linkohr, Lund, McAvan, McCarthy, McNally, Malliori, Mann Erika, Marinho, Martin David W., Martin Hans-Peter, Martínez Martínez, Mastorakis, Medina Ortega, Mendiluce Pereiro, Menéndez del Valle, Miguélez Ramos, Miller, Miranda de Lage, Moraes, Morgan, Müller, Murphy, Myller, Napoletano, O'Toole, Paciotti, Patrie, Piecyk, Pittella, Poignant, Poos, Prets, Rapkay, Read, Rocard, Roth-Behrendt, Rothe, Rothley, Roure, Ruffolo, Sacconi, Sakellariou, Sandberg-Fries, dos Santos, Sauquillo Pérez del Arco, Scheele, Schmid Gerhard, Schulz, Simpson, Skinner, Soares, Sornosa Martínez, Souladakis, Sousa Pinto, Stihler, Stockmann, Swiebel, Swoboda, Theorin, Thorning-Schmidt, Titley, Torres Marques, Vairinhos, Van Lancker, Volcic, Walter, Watts, Weiler, Whitehead, Wiersma, Wynn, Zorba, Zrihen

Verts/ALE: Aaltonen, Ahern, Auroi, Bouwman, Breyer, Buitenweg, Celli, Cohn-Bendit, Dhaene, Echerer, Evans Jillian, Ferrández Lezaun, Flautre, Frassoni, Graefe zu Baringdorf, Hudghton, Isler Béguin, Jonckheer, Lagendijk, Lambert, Lannoye, Lipietz, Lucas, MacCormick, McKenna, Maes, Mayol i Raynal, Onesta, Piétrasanta, de Roo, Rühle, Schörling, Schroedter, Sörensen, Turmes, Voggenhuber, Wuori, Wyn

Against: 59

EDD: Abitbol, Andersen, Belder, Bernié, Blokland, Bonde, Booth, Butel, Coûteaux, van Dam, Esclopé, Farage, Kuntz, Mathieu, Saint-Josse, Sandbæk, Titford

GUE/NGL: Bordes, Cauquil, Frahm, Laguiller, Schmid Herman, Seppänen, Sjöstedt

NI: Berthu, Claeys, Dillen, Garaud, de Gaille, Gollnisch, Hager, Lang, de La Perriere, Martinez, Souchet, Stirbois

PPE-DE: Musotto

PSE: Kuckelkorn, Paasilinna

UEN: Andrews, Bigliardo, Camre, Collins, Crowley, Fitzsimons, Hyland, Marchiani, Muscardini, Mussa, Musumeci, Nobilia, Ó Neachtain, Pasqua, Poli Bortone, Queiró, Ribeiro e Castro, Segni, Thomas-Mauro, Turchi

Abstention: 9

ELDR: Di Pietro

GUE/NGL: Krivine, Patakis, Schröder Ilka, Vachetta

PSE: Désir

Verts/ALE: Boumediene-Thiery, Gahrton, Rod

Wednesday 14 January 2004

Herzog report A5-0484/2003**Amendment 19****For: 472****EDD:** Belder, Blokland, Coûteaux, van Dam, Kuntz**ELDR:** Andreasen, André-Léonard, Attwooll, Busk, Calò, Clegg, Costa Paolo, Davies, De Clercq, Di Pietro, Duff, Dybkjær, Flesch, Formentini, Gasòliba i Böhm, Huhne, Jensen, Ludford, Lynne, Maaten, Malmström, Manders, Martelli, Monsonís Domingo, Mulder, Newton Dunn, Olsson, Paulsen, Pesälä, Plooij-van Gorsel, Pohjamo, Procacci, Ries, Riis-Jørgensen, Rutelli, Sbarbati, Schmidt, Sterckx, Sørensen, Thors, Väyrynen, Vallvé, Van Hecke, Vermeer, Virrankoski, Wallis, Watson**GUE/NGL:** Ainardi, Bakopoulos, Bergaz Conesa, Bertinotti, Blak, Boudjenah, Brie, Caudron, Di Lello Finuoli, Fiebiger, Figueiredo, Fraisse, Herzog, Jové Peres, Kaufmann, Koulourianos, Manisco, Markov, Marset Campos, Meijer, Modrow, Puerta, Scarbonchi, Schröder Ilka, Vinci, Wurtz**NI:** Beysen, Bonino, Cappato, Della Vedova, Dupuis, Gorostiaga Atxalandabaso, Hager, Ilgenfritz, Kronberger, Paisley, Pannella, Turco**PPE-DE:** Almeida Garrett, Andria, Arvidsson, Atkins, Averoff, Avilés Perea, Ayuso González, Balfé, Banotti, Bartolozzi, Bastos, Bayona de Perogordo, Beazley, Bébéar, Berend, Bodrato, Böge, von Boetticher, Bourlanges, Bowis, Bradbourn, Bremmer, Brienza, Brok, Bushill-Matthews, Callanan, Camisón Asensio, Cardoso, Cederschiöld, Chichester, Cocilovo, Coelho, Cornillet, Corrie, Cushnahan, Daul, Deprez, Descamps, De Veyrac, Dimitrakopoulos, Dover, Doyle, Ebner, Elles, Fatuzzo, Ferber, Fernández Martín, Ferrer, Ferri, Fiori, Flemming, Florenz, Folias, Foster, Fourtou, Friedrich, Gahler, Galeote Quecedo, García-Margallo y Marfil, García-Orcoyen Tormo, Gargani, Garriga Polledo, Gawronski, Gemelli, Gil-Robles Gil-Delgado, Glase, Goepel, Gomolka, Goodwill, Gouveia, Graça Moura, Grönfeldt Bergman, Grosch, Grosselet, Hannan, Hansenne, Harbour, Hatzidakis, Heaton-Harris, Helmer, Hermange, Hernández Mollar, Herranz García, Hieronymi, Inglewood, Jackson, Jarzembowski, Jeggle, Karas, Kastler, Keppelhoff-Wiechert, Khanbhai, Kirkhope, Klamt, Klauf, Koch, Konrad, Korhola, Kratsa-Tsagaropoulou, Lamassoure, Langen, Laschet, Lechner, Lehne, Lisi, Lombardo, Lulling, Maat, McCartin, McMillan-Scott, Mann Thomas, Mantovani, Marini, Marinos, Marques, Martens, Matikainen-Kallström, Mauro, Mayer Hans-Peter, Mayer Xaver, Méndez de Vigo, Menrad, Mombaur, Morillon, Musotto, Naranjo Escobar, Nicholson, Niebler, Nisticò, Oomen-Ruijten, Oreja Arburúa, Pacheco Pereira, Pack, Parish, Pastorelli, Pérez Álvarez, Perry, Pex, Pirker, Piscarreta, Podestà, Poettering, Pomés Ruiz, Posselt, Pronk, Provan, Purvis, Quisthoudt-Rowohl, Radwan, Redondo Jiménez, Ripoll y Martínez de Bedoya, Rovsing, Rübig, Sacrédeus, Santer, Santini, Sartori, Scallon, Scapagnini, Schaffner, Schierhuber, Schleicher, Schmitt, Schröder Jürgen, Schwaiger, Smet, Sommer, Stenmarck, Stenzel, Stevenson, Stockton, Sturdy, Sudre, Sunberg, Suominen, Tajani, Tannock, Theato, Thyssen, Trakatellis, Twinn, Valdivielso de Cué, Van Orden, Varela Suanzes-Carpegna, van Velzen, de Veyrinas, Villiers, Vlasto, Wenzel-Perillo, Wijkman, von Wogau, Wuermeling, Zabell, Zacharakis, Zappalà, Zimmerling, Zissener**PSE:** Andersson, Aparicio Sánchez, Baltas, Berenguer Fuster, Berès, van den Berg, Berger, Bösch, Bowe, Bullmann, Campos, Carlotti, Casaca, Cercas, Ceyhun, Corbett, Corbey, Darras, Dehousse, De Keyser, De Rossa, Désir, Díez González, Dührkop Dührkop, Duhamel, Duin, El Khadraoui, Ettl, Evans Robert J.E., Färm, Fava, Ferreira, Ford, Fruteau, Garot, Gebhardt, Gill, Gillig, Glante, Goebbels, Görlach, Gröner, Guy-Quint, Hänsch, Haug, Hazan, Hedkvist Petersen, Honeyball, Howitt, Hughes, van Hulten, Hume, Iivari, Imbeni, Izquierdo Collado, Izquierdo Rojo, Jöns, Junker, Karamanou, Karlsson, Katiforis, Keßler, Kindermann, Kinnoek, Koukiadis, Krehl, Kreissl-Dörfler, Kuckelkorn, Kuhne, Lage, Lalumière, Lange, Lavarra, Leinen, Linkohr, Lund, McAvan, McCarthy, McNally, Malliori, Mann Erika, Marinho, Martin David W., Martin Hans-Peter, Martínez Martínez, Mastorakis, Medina Ortega, Mendiluce Pereiro, Menéndez del Valle, Miguélez Ramos, Miller, Miranda de Lage, Moraes, Morgan, Müller, Murphy, Napoletano, O'Toole, Paciotti, Patrie, Piecyk, Pittella, Poignant, Poos, Prets, Rapkay, Read, Rocard, Roth-Behrendt, Rothe, Rothley, Roure, Ruffolo, Sacconi, Sakellariou, Sandberg-Fries, dos Santos, Sauquillo Pérez del Arco, Savary, Scheele, Schmid Gerhard, Schulz, Simpson, Soares, Sornosa Martínez, Souladakis, Sousa Pinto, Stihler, Stockmann, Swiebel, Swoboda, Theorin, Thorning-Schmidt, Titley, Torres Marques, Vairinhos, Van Lancker, Walter, Watts, Weiler, Whitehead, Wiersma, Wynn, Zorba, Zrihen**Verts/ALE:** Aaltonen, Ahern, Auroi, Boumediene-Thiery, Bouwman, Breyer, Buitenweg, Celli, Cohn-Bendit, Dhaene, Echerer, Evans Jillian, Ferrández Lezaun, Flautre, Frassoni, Graefe zu Baringdorf, Hudghton, Isler Béguin, Jonckheer, Lagendijk, Lambert, Lannoye, Lipietz, Lucas, MacCormick, McKenna, Maes, Mayol i Raynal, Onesta, Piétrasanta, Rod, de Roo, Rühle, Schörling, Schroedter, Sörensen, Turmes, Voggenhuber, Wuori, Wyn

Wednesday 14 January 2004

Against: 42

EDD: Andersen, Bernié, Bonde, Booth, Butel, Esclopé, Farage, Mathieu, Saint-Josse, Sandbæk, Titford

GUE/NGL: Bordes, Cauquil, Laguiller

NI: de La Perriere, Souchet

PPE-DE: Brunetta, Liese, Salafranca Sánchez-Neyra

PSE: Paasilinna, Skinner

UEN: Andrews, Berlato, Bigliardo, Camre, Collins, Crowley, Fitzsimons, Hyland, Marchiani, Muscardini, Mussa, Musumeci, Nobilia, Ó Neachtain, Pasqua, Poli Bortone, Queiró, Ribeiro e Castro, Segni, Thomas-Mauro, Turchi

Abstention: 21

EDD: Abitbol

GUE/NGL: Frahm, Krivine, Patakis, Schmid Herman, Seppänen, Sjöstedt, Vachetta

NI: Berthu, Borghezio, Claeys, Dillen, Garaud, de Gaulle, Gobbo, Gollnisch, Lang, Martinez, Speroni, Stirbois

Verts/ALE: Gahrton

Herzog report A5-0484/2003

Amendment 20

For: 207

ELDR: Attwooll, Costa Paolo, Di Pietro, Formentini, Procacci, Rutelli, Van Hecke

GUE/NGL: Ainardi, Bakopoulos, Bergaz Conesa, Bertinotti, Blak, Boudjenah, Brie, Caudron, Di Lello Finuoli, Fiebigler, Figueiredo, Frahm, Fraisse, Herzog, Jové Peres, Kaufmann, Koulourianos, Manisco, Markov, Marset Campos, Meijer, Modrow, Naïr, Puerta, Scarbonchi, Schmid Herman, Schröder Ilka, Seppänen, Sjöstedt, Vinci, Wurtz

NI: Garaud, Gorostiaga Atxalandabaso, Kronberger, Paisley

PPE-DE: Bébéar, Bodrato, Bourlanges, Cocilovo, Cornillet, Daul, De Veyrac, Ebner, Fourtou, Grosch, Grossetête, Hermange, Lamassoure, Marini, Pronk, Santer, Schaffner, Smet, Sudre, Thyssen, de Veyrinas, Vlasto

PSE: Andersson, Aparicio Sánchez, Baltas, Berenguer Fuster, Berès, van den Berg, Berger, Bösch, Bowe, Bullmann, Campos, Carlotti, Casaca, Cercas, Corbett, Corbey, Darras, Dehousse, De Keyser, De Rossa, Désir, Díez González, Dührkop Dührkop, Duhamel, Duin, El Khadraoui, Ettl, Evans Robert J.E., Färm, Fava, Ferreira, Ford, Fruteau, Garot, Gebhardt, Gill, Gillig, Glante, Goebbels, Görlach, Gröner, Guy-Quint, Hänsch, Haug, Hazan, Hedkvist Petersen, Honeyball, Howitt, Hughes, Hume, Iivari, Imbeni, Izquierdo Collado, Izquierdo Rojo, Jöns, Junker, Karamanou, Karlsson, Katiforis, Kindermann, Kinnock, Koukiadis, Krehl, Kreissl-Dörfler, Kuckelkorn, Kuhne, Lage, Lalumière, Lange, Lavarra, Leinen, Linkohr, Lund, McAvan, McCarthy, McNally, Malliori, Marinho, Martin David W., Martin Hans-Peter, Martínez Martínez, Mastorakis, Medina Ortega, Mendiluce Pereiro, Menéndez del Valle, Miguélez Ramos, Miller, Miranda de Lage, Moraes, Morgan, Müller, Murphy, Myller, Napoletano, O'Toole, Paciotti, Patrie, Pittella, Poignant, Poos, Prets, Rapkay, Read, Rocard, Roth-Behrendt, Rothe, Rothley, Roure, Ruffolo, Sacconi, Sakellariou, Sandberg-Fries, dos Santos, Sauquillo Pérez del Arco, Scheele, Schmid Gerhard, Schulz, Simpson, Soares, Sornosa Martínez, Souladakis, Sousa Pinto, Stihler, Stockmann, Swiebel, Swoboda, Theorin, Thorning-Schmidt, Torres Marques, Vairinhos, Van Lancker, Volcic, Walter, Watts, Weiler, Whitehead, Wiersma, Wynn, Zorba, Zrihen

Verts/ALE: Auroi, Onesta, Turmes

Wednesday 14 January 2004

Against: 317

EDD: Andersen, Belder, Bernié, Blokland, Bonde, Booth, Butel, Coûteaux, van Dam, Esclopé, Farage, Kuntz, Mathieu, Saint-Josse, Sandbæk, Titford

ELDR: Andreasen, André-Léonard, Busk, Calò, Clegg, Davies, De Clercq, Duff, Dybkjær, Flesch, Gasòliba i Böhm, Huhne, Jensen, Ludford, Lynne, Maaten, Malmström, Manders, Martelli, Monsonís Domingo, Mulder, Newton Dunn, Nordmann, Olsson, Paulsen, Pesälä, Plooij-van Gorsel, Pohjamo, Ries, Riis-Jørgensen, Sbarbati, Schmidt, Sterckx, Sørensen, Thors, Väyrynen, Vallvé, Vermeer, Virrankoski, Wallis, Watson

GUE/NGL: Bordes, Cauquil, Krivine, Laguiller, Vachetta

NI: Berthu, Beysen, Bonino, Cappato, Claeys, Della Vedova, Dillen, Dupuis, de Gaulle, Gollnisch, Hager, Ilgenfritz, de La Perriere, Martinez, Pannella, Souchet, Stirbois, Turco

PPE-DE: Almeida Garrett, Andria, Arvidsson, Atkins, Averoff, Avilés Perea, Ayuso González, Balfé, Banotti, Bartolozzi, Bastos, Bayona de Perogordo, Beazley, Berend, Böge, von Boetticher, Bowis, Bradbourn, Bremmer, Brienza, Brok, Brunetta, Bushill-Matthews, Callanan, Camisón Asensio, Cardoso, Cederschiöld, Chichester, Coelho, Corrie, Costa Raffaele, Cushnahan, Deprez, Descamps, Dimitrakopoulos, Dover, Doyle, Elles, Fatuzzo, Fernández Martín, Ferrer, Ferri, Fiori, Flemming, Florenz, Folias, Foster, Friedrich, Gahler, Galeote Quecedo, García-Margallo y Marfil, García-Orcoyen Tormo, Gargani, Garriga Polledo, Gawronski, Gemelli, Gil-Robles Gil-Delgado, Glase, Goepel, Gomolka, Goodwill, Gouveia, Graça Moura, Grönfeldt Bergman, Hannan, Hansenne, Harbour, Hatzidakis, Heaton-Harris, Helmer, Hernández Mollar, Herranz García, Hieronymi, Inglewood, Jackson, Jarzembowski, Jeggle, Karas, Kastler, Keppelhoff-Wiechert, Khanbhai, Kirkhope, Klamt, Klab, Koch, Konrad, Korhola, Kratsa-Tsagaropoulou, Langen, Laschet, Lechner, Lehne, Liese, Lisi, Lulling, Maat, McCartin, McMillan-Scott, Mann Thomas, Mantovani, Marinos, Marques, Martens, Matikainen-Kallström, Mauro, Mayer Hans-Peter, Mayer Xaver, Méndez de Vigo, Menrad, Mombaur, Morillon, Musotto, Naranjo Escobar, Nicholson, Niebler, Nisticò, Oomen-Ruijten, Pacheco Pereira, Pack, Parish, Pastorelli, Pérez Álvarez, Perry, Pex, Pirker, Piscarreta, Podestà, Poettering, Pomés Ruiz, Posselt, Provan, Purvis, Quisthoudt-Rowohl, Radwan, Redondo Jiménez, Ripoll y Martínez de Bedoya, Røvsing, Rübig, Sacrédeus, Salafranca Sánchez-Neyra, Santini, Sartori, Scallon, Scapagnini, Schierhuber, Schleicher, Schmitt, Schröder Jürgen, Schwaiger, Sommer, Stenmarck, Stenzel, Stevenson, Stockton, Sturdy, Sumberg, Suominen, Tajani, Tannock, Theato, Trakatellis, Twinn, Valdivielso de Cué, Van Orden, Varela Suanzes-Carpegna, van Velzen, Vidal-Quadras Roca, Villiers, Wenzel-Perillo, Wijkman, von Wogau, Wiermeling, Zabell, Zacharakis, Zappalà, Zimmerling, Zissener

PSE: Paasilinna, Skinner

UEN: Andrews, Berlato, Bigliardo, Collins, Crowley, Fitzsimons, Hyland, Marchiani, Muscardini, Mussa, Musumeci, Nobilia, Ó Neachtain, Pasqua, Poli Bortone, Queiró, Ribeiro e Castro, Segni, Thomas-Mauro, Turchi

Verts/ALE: Aaltonen, Ahern, Boumediene-Thiery, Bouwman, Breyer, Buitenweg, Celli, Cohn-Bendit, Dhaene, Echerer, Evans Jillian, Ferrández Lezaun, Flautre, Frassoni, Gahrton, Graefe zu Baringdorf, Hudghton, Işler Béguin, Jonckheer, Lagendijk, Lambert, Lannoye, Lipietz, Lucas, MacCormick, McKenna, Maes, Mayol i Raynal, Piétrasanta, Rod, de Roo, Rühle, Schörling, Schroedter, Sørensen, Voggenhuber, Wuori, Wyn

Abstention: 5

EDD: Abitbol

GUE/NGL: Patakis

NI: Borghezio, Gobbo, Speroni

Wednesday 14 January 2004

Herzog report A5-0484/2003

Amendment 40

For: 218

ELDR: Di Pietro, Sbarbati

GUE/NGL: Ainardi, Bakopoulos, Bergaz Conesa, Bertinotti, Boudjenah, Brie, Caudron, Di Lello Finuoli, Fiebigler, Figueiredo, Fraisse, Herzog, Jové Peres, Kaufmann, Koulourianos, Manisco, Markov, Marset Campos, Meijer, Modrow, Nair, Puerta, Scarbonchi, Schröder Ilka, Vinci, Wurtz

NI: Garaud, Gorostiaga Atxalandabaso

PPE-DE: Scallon

PSE: Andersson, Aparicio Sánchez, Baltas, Berenguer Fuster, Berès, van den Berg, Berger, Bösch, Bowe, Bullmann, Campos, Carlotti, Casaca, Cercas, Ceyhun, Corbett, Corbey, Darras, Dehousse, De Keyser, De Rossa, Désir, Díez González, Dührkop Dührkop, Duhamel, Duin, El Khadraoui, Ettl, Evans Robert J.E., Färm, Fava, Ferreira, Ford, Fruteau, Garot, Gebhardt, Gill, Gillig, Glante, Goebbels, Görlach, Gröner, Guy-Quint, Hänsch, Haug, Hazan, Hedkvist Petersen, Honeyball, Howitt, Hughes, van Hulten, Hume, Iivari, Imbeni, Izquierdo Collado, Izquierdo Rojo, Jöns, Junker, Karamanou, Karlsson, Katiforis, Keßler, Kindermann, Kinnock, Koukiadis, Krehl, Kreissl-Dörfler, Kuckelkorn, Kuhne, Lage, Lalumière, Lange, Lavarra, Leinen, Linkohr, Lund, McAvan, McCarthy, McNally, Malliori, Mann Erika, Marinho, Martin David W., Martin Hans-Peter, Martínez Martínez, Mastorakis, Medina Ortega, Mendiluce Pereiro, Menéndez del Valle, Miguélez Ramos, Miller, Miranda de Lage, Moraes, Morgan, Müller, Murphy, Myller, Napoletano, O'Toole, Paciotti, Patrie, Piecyk, Pittella, Poignant, Poos, Prets, Rapkay, Read, Rocard, Roth-Behrendt, Rothe, Rothley, Roure, Ruffolo, Sacconi, Sakellariou, Sandberg-Fries, dos Santos, Sauquillo Pérez del Arco, Savary, Scheele, Schmid Gerhard, Schulz, Simpson, Soares, Sornosa Martínez, Souladakis, Sousa Pinto, Stihler, Stockmann, Swiebel, Swoboda, Theorin, Thorning-Schmidt, Titley, Torres Marques, Vairinhos, Van Lancker, Volcic, Walter, Watts, Weiler, Whitehead, Wiersma, Wynn, Zorba, Zrihen

Verts/ALE: Aaltonen, Ahern, Auroi, Boumediene-Thiery, Bouwman, Breyer, Buitenweg, Celli, Cohn-Bendit, Dhaene, Echerer, Evans Jillian, Ferrández Lezaun, Flautre, Frassoni, Graefe zu Baringdorf, Hudghton, Isler Béguin, Jonckheer, Lagendijk, Lambert, Lannoye, Lipietz, Lucas, MacCormick, McKenna, Maes, Mayol i Raynal, Onesta, Piétrasanta, Rod, de Roo, Rühle, Schörling, Schroedter, Sörensen, Turmes, Voggenhuber, Wuori, Wyn

Against: 312

EDD: Abitbol, Andersen, Belder, Bernié, Blokland, Bonde, Booth, Butel, Coûteaux, van Dam, Esclopé, Farage, Kuntz, Mathieu, Saint-Josse, Sandbæk, Titford

ELDR: Andreasen, André-Léonard, Attwooll, Busk, Calò, Clegg, Costa Paolo, Davies, De Clercq, Duff, Dybkjær, Flesch, Formentini, Gasòliba i Böhm, Huhne, Jensen, Ludford, Lynne, Maaten, Malmström, Manders, Martelli, Monsonís Domingo, Mulder, Newton Dunn, Nordmann, Olsson, Paulsen, Pesälä, Plooijs-van Gorsel, Pohjamo, Procacci, Ries, Riis-Jørgensen, Rutelli, Schmidt, Sterckx, Sørensen, Thors, Väyrynen, Vallvé, Van Hecke, Vermeer, Virrankoski, Wallis, Watson

GUE/NGL: Bordes, Cauquil, Frahm, Laguiller, Schmid Herman, Seppänen, Sjöstedt

NI: Berthu, Beysen, Bonino, Cappato, Della Vedova, Dupuis, de Gaulle, Gollnisch, Hager, Ilgenfritz, Kronberger, Lang, de La Perriere, Martinez, Paisley, Pannella, Souchet, Stirbois, Turco

PPE-DE: Almeida Garrett, Andria, Arvidsson, Atkins, Averoff, Avilés Perea, Ayuso González, Balfé, Banotti, Bartolozzi, Bastos, Bayona de Perogordo, Beazley, Bébéar, Berend, Bodrato, Böge, von Boetticher, Boursanges, Bowis, Bradbourn, Bremmer, Brienza, Brok, Brunetta, Bushill-Matthews, Callanan, Camisón Asensio, Cardoso, Cederschiöld, Chichester, Cocilovo, Coelho, Cornillet, Corrie, Costa Raffaele, Cushnahan, Daul, Deprez, Descamps, De Veyrac, Dimitrakopoulos, Dover, Doyle, Ebner, Elles, Fatuzzo, Ferber, Fernández Martín, Ferrer, Ferri, Fiori, Florenz, Foliás, Foster, Fourtou, Friedrich, Gahler, Galeote Quecedo, García-Margallo y Marfil, García-Orcyoyen Tormo, Gargani, Garriga Polledo, Gawronski, Gemelli, Gil-Robles Gil-Delgado, Glase, Goepel, Gomolka, Goodwill, Gouveia, Graça Moura, Grönfeldt Bergman, Grosch, Grossetête, Hannan, Hansenne, Harbour, Hatzidakis, Heaton-Harris, Helmer, Hermange, Hernández Mollar, Herranz García, Hieronymi, Inglewood, Jackson, Jarzembowski, Jeggle, Karas, Kastler, Keppelhoff-Wiechert, Khanbhai, Kirkhope, Klamt, Klafß, Koch, Konrad, Korhola, Kratsa-Tsagaropoulou,

Wednesday 14 January 2004

Lamassoure, Langen, Laschet, Lechner, Lehne, Liese, Lisi, Lombardo, Lulling, Maat, McCartin, McMillan-Scott, Mann Thomas, Mantovani, Marini, Marinos, Marques, Martens, Matikainen-Kallström, Mauro, Mayer Hans-Peter, Mayer Xaver, Méndez de Vigo, Menrad, Mombaur, Morillon, Musotto, Naranjo Escobar, Nicholson, Niebler, Nisticò, Oomen-Ruijten, Oreja Arburúa, Pacheco Pereira, Pack, Parish, Pastorelli, Pérez Álvarez, Perry, Pex, Pirker, Piscarreta, Podestà, Poettering, Pomés Ruiz, Posselt, Pronk, Provan, Purvis, Quisthoudt-Rowohl, Radwan, Redondo Jiménez, Ripoll y Martínez de Bedoya, Rovsing, Rübzig, Sacrédeus, Salafranca Sánchez-Neyra, Santer, Santini, Sartori, Scapagnini, Schaffner, Schierhuber, Schleicher, Schmitt, Schröder Jürgen, Schwaiger, Smet, Sommer, Stenmarck, Stenzel, Stevenson, Stockton, Sturdy, Sudre, Sumberg, Suominen, Tajani, Tannock, Theato, Thyssen, Trakatellis, Twinn, Valdivielso de Cué, Van Orden, Varela Suanzes-Carpegna, van Velzen, de Veyrinas, Vidal-Quadras Roca, Villiers, Vlasto, Wenzel-Perillo, Wijkman, von Wogau, Wuermeling, Zabell, Zacharakis, Zappalà, Zimmerling, Zissener

PSE: Paasilinna, Skinner

UEN: Andrews, Berlato, Bigliardo, Camre, Collins, Crowley, Fitzsimons, Hyland, Marchiani, Muscardini, Mussa, Musumeci, Nobilia, Ó Neachtain, Pasqua, Poli Bortone, Queiró, Ribeiro e Castro, Segni, Thomas-Mauro, Turchi

Abstention: 9

GUE/NGL: Blak, Krivine, Patakis, Vachetta

NI: Borghezio, Gobbo, Speroni

PPE-DE: Flemming

Verts/ALE: Gahrton

Herzog report A5-0484/2003

Amendment 21

For: 223

ELDR: Attwooll, Di Pietro, Sbarbati, Van Hecke

GUE/NGL: Ainardi, Bakopoulos, Bergaz Conesa, Bertinotti, Boudjenah, Brie, Caudron, Di Lello Finuoli, Fiebigler, Figueiredo, Fraisse, Herzog, Jové Peres, Kaufmann, Koulourianos, Manisco, Markov, Maset Campos, Meijer, Modrow, Naïr, Puerta, Scarbonchi, Vinci, Wurtz

NI: Gorostiaga Atxalandabaso

PPE-DE: Cocilovo, Grosch, Lulling, Santer, Smet, Thyssen

PSE: Andersson, Aparicio Sánchez, Baltas, Berenguer Fuster, Berès, van den Berg, Berger, Bösch, Bowe, Bullmann, Campos, Carlotti, Casaca, Cercas, Ceyhun, Corbett, Corbey, Darras, Dehousse, De Keyser, De Rossa, Désir, Díez González, Dührkop Dührkop, Duhamel, Duin, El Khadraoui, Ettl, Evans Robert J.E., Färm, Fava, Ferreira, Ford, Fruteau, Garot, Gebhardt, Gill, Gillig, Glante, Goebbels, Görlach, Gröner, Guy-Quint, Hänsch, Haug, Hazan, Hedkvist Petersen, Honeyball, Howitt, Hughes, van Hulten, Hume, Iivari, Imbeni, Izquierdo Collado, Izquierdo Rojo, Jöns, Junker, Karamanou, Karlsson, Katiforis, Keßler, Kindermann, Kinnock, Koukiadis, Krehl, Kreissl-Dörfler, Kuckelkorn, Kuhne, Lage, Lalumière, Lange, Lavarra, Leinen, Linkohr, McAvan, McCarthy, McNally, Malliori, Mann Erika, Marinho, Martin David W., Martin Hans-Peter, Martínez Martínez, Mastorakis, Medina Ortega, Mendiluce Pereiro, Menéndez del Valle, Miguélez Ramos, Miller, Miranda de Lage, Moraes, Morgan, Müller, Murphy, Myller, Napolitano, O'Toole, Paasilinna, Paciotti, Patrie, Piecyk, Pittella, Poignant, Poos, Prets, Rapkay, Read, Rocard, Roth-Behrendt, Rothe, Rothley, Roure, Ruffolo, Sacconi, Sakellariou, Sandberg-Fries, dos Santos, Sauquillo Pérez del Arco, Savary, Scheele, Schmid Gerhard, Schulz, Simpson, Soares, Sornosa Martínez, Souladakis, Sousa Pinto, Stihler, Stockmann, Swiebel, Swoboda, Theorin, Thorning-Schmidt, Titley, Torres Marques, Vairinhos, Van Lancker, Volcic, Walter, Watts, Weiler, Whitehead, Wiersma, Wynn, Zorba, Zrihen

Verts/ALE: Aaltonen, Ahern, Auroi, Boumediene-Thiery, Bouwman, Breyer, Buitenweg, Celli, Cohn-Bendit, Dhaene, Echerer, Evans Jillian, Ferrández Lezaun, Flautre, Frassoni, Graefe zu Baringdorf, Hudghton, Isler Béguin, Jonckheer, Lagendijk, Lambert, Lannoye, Lipietz, Lucas, MacCormick, McKenna, Maes, Mayol i Raynal, Onesta, Piétrasanta, Rod, de Roo, Rühle, Schörling, Schroedter, Sörensen, Turmes, Voggenhuber, Wuori, Wyn

Wednesday 14 January 2004

Against: 296

EDD: Abitbol, Andersen, Belder, Bernié, Blokland, Bonde, Booth, Butel, van Dam, Esclopé, Farage, Mathieu, Saint-Josse, Sandbæk, Titford

ELDR: Andreasen, André-Léonard, Busk, Calò, Clegg, Costa Paolo, Davies, De Clercq, Duff, Dybkjær, Flesch, Formentini, Gasòliba i Böhm, Huhne, Jensen, Ludford, Lynne, Maaten, Malmström, Manders, Martelli, Monsonís Domingo, Mulder, Newton Dunn, Nordmann, Olsson, Paulsen, Pesälä, Plooi-j-van Gorsel, Pohjamo, Procacci, Ries, Riis-Jørgensen, Rutelli, Schmidt, Sterckx, Sørensen, Thors, Väyrynen, Vallvé, Vermeer, Virrankoski, Wallis, Watson

GUE/NGL: Bordes, Cauquil, Frahm, Laguiller, Schmid Herman, Seppänen, Sjöstedt

NI: Berthu, Beysen, Bonino, Cappato, Claeys, Dillen, Dupuis, de Gaulle, Gollnisch, Hager, Ilgenfritz, Lang, de La Perriere, Martinez, Paisley, Pannella, Souchet, Stirbois, Turco

PPE-DE: Almeida Garrett, Andria, Arvidsson, Atkins, Averoff, Avilés Perea, Ayuso González, Balfé, Banotti, Bartolozzi, Bastos, Bayona de Perogordo, Beazley, Bébéar, Berend, Bodrato, Böge, von Boetticher, Bourlanges, Bowis, Bradbourn, Bremmer, Brienza, Brok, Brunetta, Bushill-Matthews, Callanan, Camisón Asensio, Cardoso, Cederschiöld, Chichester, Coelho, Cornillet, Corrie, Costa Raffaele, Cushnahan, Daul, Deprez, Descamps, De Veyrac, Dimitrakopoulos, Dover, Doyle, Ebner, Elles, Fatuzzo, Ferber, Fernández Martín, Ferrer, Ferri, Fiori, Flemming, Florenz, Folias, Foster, Fourtou, Friedrich, Gahler, Galeote Quecedo, García-Margallo y Marfil, García-Orcoyen Tormo, Gargani, Garriga Polledo, Gawronski, Gemelli, Gil-Robles Gil-Delgado, Glase, Goepel, Gomolka, Goodwill, Graça Moura, Grönfeldt Bergman, Grossetête, Hannan, Hansenne, Harbour, Hatzidakis, Heaton-Harris, Helmer, Hermange, Hernández Mollar, Herranz García, Hieronymi, Inglewood, Jackson, Jarzembowski, Jeggler, Karas, Kastler, Keppelhoff-Wiechert, Khanbhai, Kirkhope, Klamt, Klauf, Koch, Konrad, Korhola, Kratsa-Tsagaropoulou, Lamassoure, Langen, Laschet, Lechner, Lehne, Liese, Lisi, Maat, McCartin, Mann Thomas, Mantovani, Marini, Marinos, Marques, Martens, Matikainen-Kallström, Mauro, Mayer Hans-Peter, Mayer Xaver, Méndez de Vigo, Menrad, Mombaur, Morillon, Musotto, Naranjo Escobar, Nicholson, Niebler, Nisticò, Oomen-Ruijten, Oreja Arburúa, Pacheco Pereira, Pack, Parish, Pastorelli, Pérez Álvarez, Perry, Pex, Pirker, Piscarreta, Podestà, Poettering, Pomés Ruiz, Posselt, Provan, Purvis, Quisthoudt-Rowohl, Radwan, Redondo Jiménez, Ripoll y Martínez de Bedoya, Røvsing, Rübig, Sacrédeus, Salafrañca Sánchez-Neyra, Santini, Sartori, Scallon, Scapagnini, Schaffner, Schierhuber, Schmitt, Schröder Jürgen, Schwaiger, Sommer, Stenmarck, Stenzel, Stevenson, Sturdy, Sudre, Sumberg, Suominen, Tajani, Tannock, Theato, Trakatellis, Twinn, Valdivielso de Cué, Van Orden, Varela Suanzes-Carpegna, van Velzen, de Veyrinas, Vidal-Quadras Roca, Villiers, Vlasto, Wenzel-Perillo, Wijkman, von Wogau, Wuermeling, Zabell, Zacharakis, Zappalà, Zimmerling, Zissener

UEN: Andrews, Berlato, Bigliardo, Camre, Collins, Crowley, Fitzsimons, Hyland, Marchiani, Muscardini, Mussa, Musumeci, Nobilia, Ó Neachtain, Pasqua, Poli Bortone, Queiró, Ribeiro e Castro, Segni, Thomas-Mauro, Turchi

Abstention: 15

EDD: Coûteaux, Kuntz

GUE/NGL: Blak, Krivine, Patakis, Schröder Ilka, Vachetta

NI: Borghezio, Garaud, Gobbo, Kronberger, Speroni

PSE: Lund, Skinner

Verts/ALE: Gahrton

Herzog report A5-0484/2003

Amendment 13

For: 290

EDD: Abitbol, Andersen, Bernié, Bonde, Butel, Esclopé, Kuntz, Mathieu, Saint-Josse, Sandbæk

ELDR: Sbarbati

Wednesday 14 January 2004

GUE/NGL: Ainardi, Bakopoulos, Bergaz Conesa, Bertinotti, Boudjenah, Brie, Caudron, Di Lello Finuoli, Fiebiger, Figueiredo, Frahm, Fraisse, Herzog, Jové Peres, Kaufmann, Koulourianos, Krivine, Manisco, Markov, Marset Campos, Meijer, Modrow, Nair, Patakis, Puerta, Scarbonchi, Schmid Herman, Schröder Ilka, Seppänen, Sjöstedt, Vachetta, Vinci, Wurtz

NI: Berthu, Claeys, Dillen, Garaud, de Gaulle, Gollnisch, Gorostiaga Atxalandabaso, Lang, Martinez, Stirbois

PPE-DE: Ayuso González, Banotti, Bébéar, Berend, Bourlanges, Bremmer, Brok, Camisón Asensio, Cocilovo, Cornillet, Costa Raffaele, Deprez, Descamps, Fatuzzo, Ferrer, Galeote Quecedo, Gargani, Gemelli, Gil-Robles Gil-Delgado, Glase, Goepel, Grosch, Hansenne, Hermange, Hernández Mollar, Lulling, Maat, Marques, Martens, Mayer Hans-Peter, Mayer Xaver, Menrad, Pex, Piscarreta, Posselt, Radwan, Rübiger, Santini, Schmitt, Schröder Jürgen, Smet, Tajani, Theato, de Veyrinas, Wijkman, von Wogau, Zimmerling, Zissener

PSE: Andersson, Aparicio Sánchez, Baltas, Berenguer Fuster, Berès, van den Berg, Berger, Bösch, Bowe, Bullmann, Campos, Carlotti, Casaca, Cercas, Ceyhun, Corbett, Corbey, Darras, Dehousse, De Keyser, De Rossa, Désir, Díez González, Dührkop Dührkop, Duhamel, Duin, El Khadraoui, Ettl, Evans Robert J.E., Färm, Fava, Ferreira, Ford, Fruteau, Garot, Gebhardt, Gill, Gillig, Glante, Goebbels, Görlach, Gröner, Guy-Quint, Hänsch, Haug, Hazan, Hedkvist Petersen, Honeyball, Howitt, Hughes, van Hulten, Hume, Iivari, Imbeni, Izquierdo Collado, Izquierdo Rojo, Jöns, Junker, Karamanou, Karlsson, Katiforis, Keßler, Kindermann, Kinnock, Koukiadis, Krehl, Kreissl-Dörfler, Kuckelkorn, Kuhne, Lage, Lalumière, Lange, Lavarra, Leinen, Linkohr, Lund, McAvan, McCarthy, McNally, Malliori, Mann Erika, Marinho, Martin David W., Martin Hans-Peter, Martínez Martínez, Mastorakis, Medina Ortega, Mendiluce Pereiro, Menéndez del Valle, Miguélez Ramos, Miller, Miranda de Lage, Moraes, Morgan, Müller, Murphy, Myller, Napoletano, O'Toole, Paasilinna, Paciotti, Patrie, Piecyk, Pittella, Poignant, Poos, Prets, Rapkay, Read, Rocard, Roth-Behrendt, Rothe, Rothley, Roure, Ruffolo, Sacconi, Sakellariou, Sandberg-Fries, dos Santos, Sauquillo Pérez del Arco, Savary, Scheele, Schmid Gerhard, Schulz, Simpson, Soares, Sornosa Martínez, Souladakis, Sousa Pinto, Stihler, Stockmann, Swiebel, Swoboda, Theorin, Thorning-Schmidt, Titley, Torres Marques, Vairinhos, Van Lancker, Volcic, Walter, Watts, Weiler, Whitehead, Wiersma, Wynn, Zorba, Zrihen

Verts/ALE: Aaltonen, Ahern, Auroi, Boumediene-Thiery, Bouwman, Breyer, Buitenweg, Celli, Cohn-Bendit, Dhaene, Echerer, Evans Jillian, Ferrández Lezaun, Flautre, Frassoni, Gahrton, Graefe zu Baringdorf, Isler Béguin, Jonckheer, Lagendijk, Lambert, Lannoye, Lipietz, Lucas, MacCormick, McKenna, Maes, Mayol i Raynal, Onesta, Piétrasanta, Rod, de Roo, Rühle, Schörling, Schroedter, Sørensen, Turmes, Voggenhuber, Wuori, Wyn

Against: 233

EDD: Belder, Blokland, Booth, van Dam, Farage, Titford

ELDR: Andreasen, André-Léonard, Attwooll, Busk, Clegg, Costa Paolo, Davies, De Clercq, Duff, Dybkjær, Flesch, Formentini, Gasòliba i Böhm, Huhne, Jensen, Ludford, Lynne, Maaten, Malmström, Manders, Martelli, Monsonís Domingo, Mulder, Newton Dunn, Nordmann, Olsson, Paulsen, Pesälä, Plooij-van Gorsel, Pohjamo, Procacci, Ries, Riis-Jørgensen, Rutelli, Schmidt, Sterckx, Sørensen, Thors, Vallvé, Van Hecke, Vermeer, Virrankoski, Wallis, Watson

GUE/NGL: Blak, Bordes, Cauquil, Laguiller

NI: Beysen, Bonino, Cappato, Della Vedova, Dupuis, Hager, Ilgenfritz, de La Perriere, Pannella, Souchet, Turco

PPE-DE: Almeida Garrett, Andria, Arvidsson, Atkins, Averoff, Avilés Perea, Balfe, Bastos, Bayona de Perogordo, Beazley, Böge, von Boetticher, Bowis, Bradbourn, Brienza, Brunetta, Bushill-Matthews, Callanan, Cardoso, Cederschiöld, Chichester, Coelho, Corrie, Cushnahan, Daul, De Veyrac, Dimitrakopoulos, Dover, Doyle, Ebner, Elles, Ferber, Fernández Martín, Ferri, Fiori, Flemming, Florenz, Folias, Foster, Fourtou, Friedrich, Gahler, García-Margallo y Marfil, García-Orcoyen Tormo, Garriga Polledo, Gawronski, Gomolka, Goodwill, Gouveia, Graça Moura, Grönfeldt Bergman, Grossetête, Hannan, Harbour, Hatzidakis, Heaton-Harris, Helmer, Herranz García, Hieronymi, Inglewood, Jackson, Jarzembowski, Jeggle, Karas, Kastler, Keppelhoff-Wiechert, Khanbhai, Kirkhope, Klamt, Klač, Koch, Konrad, Korhola, Kratsa-Tsagaropoulou, Lamassoure, Langen, Laschet, Lechner, Lehne, Liese, Lisi, Lombardo, McMillan-Scott, Mann Thomas, Marinos, Matikainen-Kallström, Mauro, Méndez de Vigo, Mombaur, Morillon, Musotto, Naranjo Escobar, Nicholson, Niebler, Nisticò, Oomen-Ruijten, Oreja Arburúa, Pacheco Pereira, Pack, Parish, Pastorelli, Pérez Álvarez, Perry, Pirker, Podestà, Poettering, Pomés

Wednesday 14 January 2004

Ruiz, Pronk, Provan, Purvis, Quisthoudt-Rowohl, Redondo Jiménez, Ripoll y Martínez de Bedoya, Rowsing, Sacrédeus, Salafranca Sánchez-Neyra, Santer, Scallon, Scapagnini, Schaffner, Schleicher, Schwaiger, Sommer, Stenmarck, Stenzel, Stevenson, Stockton, Sturdy, Sudre, Sumberg, Suominen, Tannock, Thyssen, Trakatellis, Twinn, Valdivielso de Cué, Van Orden, Varela Suanzes-Carpegna, van Velzen, Vidal-Quadras Roca, Villiers, Vlasto, Wenzel-Perillo, Wuermeling, Zabell, Zacharakis, Zappalà

UEN: Andrews, Berlato, Bigliardo, Camre, Collins, Crowley, Fitzsimons, Hyland, Marchiani, Muscardini, Mussa, Musumeci, Nobilia, Ó Neachtain, Pasqua, Poli Bortone, Queiró, Ribeiro e Castro, Segni, Thomas-Mauro, Turchi

Abstention: 6

EDD: Coûteaux

ELDR: Di Pietro, Väyrynen

NI: Borghezio, Gobbo, Speroni

Herzog report A5-0484/2003

Amendment 22

For: 300

EDD: Andersen, Bernié, Bonde, Booth, Butel, Coûteaux, Kuntz, Mathieu, Sandbæk

ELDR: Costa Paolo, Di Pietro, Formentini, Procacci, Sbarbati, Van Hecke, Virrankoski

GUE/NGL: Ainaridi, Bakopoulos, Bergaz Conesa, Bertinotti, Bordes, Boudjenah, Brie, Caudron, Cauquil, Di Lello Finuoli, Fiebiger, Figueiredo, Frahm, Fraise, Herzog, Jové Peres, Kaufmann, Koulourianos, Laguiller, Manisco, Markov, Marset Campos, Meijer, Modrow, Nair, Patakis, Puerta, Scarbonchi, Schmid Herman, Schröder Ilka, Seppänen, Sjöstedt, Vinci, Wurtz

NI: Borghezio, Claeys, Dillen, Garaud, de Gaulle, Gobbo, Gollnisch, Gorostiaga Atxalandabaso, Lang, de La Perriere, Martinez, Souchet, Speroni, Stirbois

PPE-DE: Andria, Banotti, Bébéar, Bodrato, Bourlanges, Cocilovo, Cornillet, Costa Raffaele, Cushnahan, Daul, Descamps, De Veyrac, Dover, Ferber, Florenz, Fourtou, Grosch, Hermange, Lamassoure, Maat, Marini, Oomen-Ruijten, Pex, Pirker, Pronk, Santer, Schaffner, Smet, Sudre, de Veyrinas, Vlasto

PSE: Andersson, Aparicio Sánchez, Baltas, Berenguer Fuster, Berès, van den Berg, Berger, Bösch, Bowe, Bullmann, Campos, Carlotti, Casaca, Cercas, Ceyhun, Corbett, Corbey, Darras, Dehousse, De Keyser, De Rossa, Désir, Díez González, Dührkop Dührkop, Duhamel, Duin, El Khadraoui, Ettl, Evans Robert J.E., Färm, Fava, Ferreira, Ford, Fruteau, Garot, Gebhardt, Gill, Gillig, Glante, Goebbels, Görlach, Gröner, Guy-Quint, Hänsch, Haug, Hazan, Hedkvist Petersen, Honeyball, Howitt, Hughes, van Hulten, Hume, Iivari, Imbeni, Izquierdo Collado, Izquierdo Rojo, Jöns, Junker, Karamanou, Karlsson, Katiforis, Kefler, Kindermann, Kinnock, Koukiadis, Krehl, Kreissl-Dörfler, Kuckelkorn, Kuhne, Lage, Lalumière, Lange, Lavarra, Leinen, Linkohr, Lund, McAvan, McCarthy, McNally, Malliori, Mann Erika, Marinho, Martin David W., Martin Hans-Peter, Martínez Martínez, Mastorakis, Medina Ortega, Mendiluce Pereiro, Menéndez del Valle, Miguélez Ramos, Miller, Miranda de Lage, Moraes, Morgan, Müller, Murphy, Myller, Napoletano, O'Toole, Paasilinna, Paciotti, Patrie, Piecyk, Pittella, Poignant, Poos, Prets, Rapkay, Read, Rocard, Roth-Behrendt, Rothe, Rothley, Roure, Ruffolo, Sacconi, Sakellariou, Sandberg-Fries, dos Santos, Sauquillo Pérez del Arco, Savary, Scheele, Schmid Gerhard, Schulz, Simpson, Skinner, Soares, Sornosa Martínez, Souladakis, Sousa Pinto, Stihler, Stockmann, Swiebel, Swoboda, Theorin, Thorning-Schmidt, Titley, Torres Marques, Vairinhos, Van Lancker, Volcic, Walter, Watts, Weiler, Whitehead, Wiersma, Wynn, Zorba, Zrihen

UEN: Andrews, Berlato, Bigliardo, Camre, Collins, Crowley, Fitzsimons, Hyland, Marchiani, Muscardini, Mussa, Nobilia, Ó Neachtain, Pasqua, Queiró, Ribeiro e Castro, Segni, Thomas-Mauro, Turchi

Verts/ALE: Aaltonen, Ahern, Boumediene-Thiery, Bouwman, Breyer, Buitenweg, Celli, Cohn-Bendit, Dhaene, Echerer, Evans Jillian, Ferrández Lezaun, Frassoni, Gahrton, Graefe zu Baringdorf, Hudghton, Isler Béguin, Lagendijk, Lambert, Lannoye, Lucas, MacCormick, McKenna, Maes, Mayol i Raynal, Onesta, Piétrasanta, Rod, de Roo, Rühle, Schörling, Schroedter, Sörensen, Turmes, Voggenhuber, Wuori, Wyn

Wednesday 14 January 2004

Against: 228**EDD:** Abitbol, Belder, Blokland, van Dam, Esclopé, Farage, Titford**ELDR:** Andreasen, André-Léonard, Attwooll, Busk, Calò, Clegg, Davies, De Clercq, Duff, Dybkjær, Fleisch, Gasòliba i Böhm, Huhne, Jensen, Ludford, Lynne, Maaten, Malmström, Manders, Martelli, Monsonís Domingo, Mulder, Newton Dunn, Nordmann, Olsson, Paulsen, Pesälä, Plooij-van Gorsel, Pohjamo, Ries, Riis-Jørgensen, Rutelli, Schmidt, Sterckx, Sørensen, Thors, Vallvé, Vermeer, Wallis, Watson**GUE/NGL:** Blak, Krivine**NI:** Beysen, Bonino, Cappato, Della Vedova, Dupuis, Hager, Ilgenfritz, Kronberger, Paisley, Pannella, Turco**PPE-DE:** Almeida Garrett, Arvidsson, Atkins, Averoff, Avilés Perea, Ayuso González, Bartolozzi, Bastos, Bayona de Perogordo, Beazley, Berend, Böge, von Boetticher, Bowis, Bradbourn, Bremmer, Brienza, Brok, Brunetta, Bushill-Matthews, Callanan, Camisón Asensio, Cardoso, Chichester, Coelho, Corrie, Deprez, Dimitrakopoulos, Doyle, Ebner, Elles, Fatuzzo, Fernández Martín, Ferrer, Ferri, Fiori, Flemming, Folias, Foster, Friedrich, Gahler, Galeote Quecedo, García-Margallo y Marfil, García-Orcoyen Tormo, Gargani, Garriga Polledo, Gawronski, Gemelli, Gil-Robles Gil-Delgado, Glase, Goepel, Gomolka, Goodwill, Gouveia, Graça Moura, Grönfeldt Bergman, Grossetête, Hannan, Hansenne, Harbour, Hatzidakis, Heaton-Harris, Helmer, Hernández Mollar, Herranz García, Hieronymi, Inglewood, Jackson, Jarzembowski, Jeggler, Karas, Kastler, Keppelhoff-Wiechert, Khanbhai, Kirkhope, Klamt, Klaß, Koch, Konrad, Korhola, Kratsa-Tsagaropoulou, Langen, Laschet, Lechner, Lehne, Liese, Lisi, Lombardo, Lulling, McCartin, McMillan-Scott, Mann Thomas, Mantovani, Marinos, Marques, Martens, Matikainen-Kallström, Mauro, Mayer Hans-Peter, Mayer Xaver, Méndez de Vigo, Menrad, Mombaur, Morillon, Musotto, Naranjo Escobar, Nicholson, Niebler, Nisticò, Oreja Arburúa, Pacheco Pereira, Pack, Parish, Pastorelli, Pérez Álvarez, Perry, Piscarreta, Podestà, Poettering, Pomés Ruiz, Provan, Purvis, Radwan, Redondo Jiménez, Ripoll y Martínez de Bedoya, Røvsing, Sacrédeus, Salafranca Sánchez-Neyra, Santini, Sartori, Scallon, Scapagnini, Schierhuber, Schleicher, Schmitt, Schröder Jürgen, Schwaiger, Sommer, Stenmarck, Stenzel, Stevenson, Stockton, Sturdy, Sunberg, Suominen, Tajani, Tannock, Theato, Thyssen, Trakatellis, Twinn, Valdivielso de Cué, Van Orden, Varela Suanzes-Carpegna, van Velzen, Villiers, Wenzel-Perillo, Wijkman, von Wogau, Wiermeling, Zabell, Zacharakis, Zappalà, Zimmerling, Zissener**UEN:** Musumeci, Poli Bortone**Verts/ALE:** Lipietz**Abstention: 2****ELDR:** Väyrynen**NI:** Berthu**Herzog report A5-0484/2003****Amendment 41****For: 266****EDD:** Abitbol, Andersen, Belder, Bernié, Blokland, Bonde, Butel, van Dam, Esclopé, Kuntz, Mathieu, Saint-Josse, Sandbæk**ELDR:** Di Pietro, Sbarbati, Väyrynen, Van Hecke, Virrankoski**GUE/NGL:** Ainardi, Bakopoulos, Bergaz Conesa, Bertinotti, Boudjenah, Brie, Caudron, Di Lello Finuoli, Fiebiger, Figueiredo, Frahm, Fraise, Herzog, Jové Peres, Kaufmann, Koulourianos, Manisco, Markov, Marset Campos, Meijer, Modrow, Nair, Patakis, Puerta, Scarbonchi, Schmid Herman, Schröder Ilka, Seppänen, Sjöstedt, Vinci, Wurtz**NI:** Berthu, Borghezio, Claeys, Dillen, Garaud, de Gaulle, Gobbo, Gollnisch, Gorostiaga Atxalandabaso, Kronberger, Lang, de La Perriere, Martinez, Paisley, Souchet, Speroni, Stirbois**PPE-DE:** Ferrer, Marini

Wednesday 14 January 2004

PSE: Andersson, Aparicio Sánchez, Baltas, Berenguer Fuster, Berès, van den Berg, Berger, Bösch, Bowe, Bullmann, Campos, Carlotti, Casaca, Cercas, Ceyhun, Corbett, Corbey, Darras, Dehousse, De Keyser, De Rossa, Désir, Díez González, Duhamel, Duin, El Khadraoui, Ettl, Evans Robert J.E., Färm, Fava, Ferreira, Ford, Fruteau, Garot, Gebhardt, Gill, Gillig, Glante, Goebbels, Görlach, Gröner, Guy-Quint, Hänsch, Haug, Hazan, Hedkvist Petersen, Honeyball, Howitt, Hughes, van Hulsten, Hume, Iivari, Imbeni, Izquierdo Collado, Izquierdo Rojo, Jöns, Junker, Karamanou, Karlsson, Katiforis, Kindermann, Kinnock, Koukiadis, Krehl, Kreissl-Dörfler, Kuckelkorn, Kuhne, Lage, Lalumière, Lange, Lavarra, Leinen, Linkohr, Lund, McAvan, McCarthy, McNally, Malliori, Mann Erika, Marinho, Martin David W., Martin Hans-Peter, Martínez Martínez, Mastorakis, Medina Ortega, Mendiluce Pereiro, Menéndez del Valle, Miguélez Ramos, Miller, Miranda de Lage, Moraes, Morgan, Müller, Murphy, Myller, Napoletano, O'Toole, Paasilinna, Paciotti, Patrie, Piecyk, Pittella, Poignant, Poos, Prets, Rapkay, Read, Rocard, Roth-Behrendt, Rothe, Rothley, Roure, Ruffolo, Sacconi, Sakellariou, Sandberg-Fries, dos Santos, Sauquillo Pérez del Arco, Savary, Scheele, Schmid Gerhard, Schulz, Simpson, Skinner, Soares, Souladakis, Sousa Pinto, Stihler, Stockmann, Swiebel, Swoboda, Theorin, Thorning-Schmidt, Titley, Torres Marques, Vairinhos, Van Lancker, Volcic, Walter, Watts, Weiler, Whitehead, Wiersma, Wynn, Zorba, Zrihen

UEN: Berlato, Bigliardo, Marchiani, Muscardini, Mussa, Musumeci, Nobilia, Pasqua, Poli Bortone, Ribeiro e Castro, Segni, Thomas-Mauro, Turchi

Verts/ALE: Aaltonen, Ahern, Auroi, Bouwman, Breyer, Buitenweg, Celli, Cohn-Bendit, Dhaene, Echerer, Evans Jillian, Ferrández Lezaun, Flautre, Frassoni, Gahrton, Graefe zu Baringdorf, Hudghton, Isler Béguin, Jonckheer, Legendijk, Lambert, Lannoye, Lipietz, Lucas, MacCormick, McKenna, Maes, Mayol i Raynal, Onesta, Piétrasanta, de Roo, Rühle, Schörling, Schroedter, Sørensen, Turmes, Voggenhuber, Wuori, Wyn

Against: 261

EDD: Booth, Farage, Titford

ELDR: Andreasen, André-Léonard, Busk, Clegg, Costa Paolo, Davies, De Clercq, Duff, Dybkjær, Fleisch, Formentini, Huhne, Jensen, Ludford, Lynne, Malmström, Manders, Martelli, Monsonís Domingo, Mulder, Newton Dunn, Olsson, Paulsen, Pesälä, Plooij-van Gorsel, Pohjamo, Procacci, Ries, Riis-Jørgensen, Rutelli, Schmidt, Sterckx, Sørensen, Thors, Vallvé, Vermeer, Wallis, Watson

GUE/NGL: Blak, Bordes, Cauquil, Laguiller

NI: Beysen, Bonino, Cappato, Della Vedova, Dupuis, Hager, Ilgenfritz, Pannella, Turco

PPE-DE: Almeida Garrett, Andria, Arvidsson, Atkins, Averoff, Avilés Perea, Ayuso González, Balfe, Banotti, Bartolozzi, Bastos, Bayona de Perogordo, Beazley, Bébéar, Berend, Bodrato, Böge, von Boetticher, Boursanges, Bowis, Bradbourn, Bremmer, Brienza, Brok, Brunetta, Bushill-Matthews, Callanan, Camisón Asensio, Cardoso, Cederschiöld, Chichester, Cocilovo, Coelho, Cornillet, Corrie, Costa Raffaele, Cushnahan, Daul, Deprez, Descamps, De Veyrac, Dimitrakopoulos, Dover, Doyle, Ebner, Elles, Fatuzzo, Ferber, Fernández Martín, Ferri, Fiori, Flemming, Florenz, Folias, Foster, Fourtou, Friedrich, Gahler, Galeote Quecedo, García-Margallo y Marfil, García-Orcoyen Tormo, Gargani, Garriga Polledo, Gawronski, Gemelli, Gil-Robles Gil-Delgado, Glase, Goepel, Gomolka, Goodwill, Gouveia, Graça Moura, Grönfeldt Bergman, Grosch, Grossetête, Hannan, Hansenne, Harbour, Hatzidakis, Heaton-Harris, Helmer, Hermange, Hernández Mollar, Herranz García, Hieronymi, Inglewood, Jackson, Jarzembowski, Jeggle, Karas, Kastler, Keppelhoff-Wiechert, Khanbhai, Kirkhope, Klamt, Klab, Koch, Konrad, Korhola, Kratsa-Tsagaropoulou, Lamassoure, Langen, Laschet, Lechner, Lehne, Liese, Lisi, Lulling, Maat, McCartin, McMillan-Scott, Mann Thomas, Mantovani, Marinos, Marques, Martens, Matikainen-Kallström, Mauro, Mayer Hans-Peter, Mayer Xaver, Méndez de Vigo, Menrad, Mombaur, Morillon, Musotto, Naranjo Escobar, Nicholson, Niebler, Nisticò, Oomen-Ruijten, Oreja Arburúa, Pacheco Pereira, Pack, Parish, Pastorelli, Pérez Álvarez, Perry, Pex, Pirker, Piscarreta, Podestà, Poettering, Pomés Ruiz, Posselt, Pronk, Provan, Purvis, Quisthoudt-Rowohl, Radwan, Redondo Jiménez, Ripoll y Martínez de Bedoya, Rovsing, Rübig, Sacrédeus, Salafranca Sánchez-Neyra, Santer, Santini, Sartori, Scallan, Scapagnini, Schaffner, Schierhuber, Schleicher, Schmitt, Schröder Jürgen, Schwaiger, Smet, Sommer, Stenmarck, Stenzel, Stevenson, Stockton, Sturdy, Sudre, Sumberg, Suominen, Tajani, Tannock, Theato, Thyssen, Trakatellis, Twinn, Valdivielso de Cué, Van Orden, Varela Suanzes-Carpegna, van Velzen, de Veyrinas, Vidal-Quadras Roca, Villiers, Vlasto, Wenzel-Perillo, Wijkman, von Wogau, Wuermeling, Zabell, Zacharakis, Zappalà, Zimmerling, Zissener

UEN: Andrews, Camre, Collins, Crowley, Fitzsimons, Hyland, Ó Neachtain, Queiró

Wednesday 14 January 2004

Abstention: 5**ELDR:** Attwooll**GUE/NGL:** Krivine, Vachetta**Verts/ALE:** Boumediene-Thiery, Rod**Herzog report A5-0484/2003****Amendment 23****For: 261****ELDR:** Attwooll, Costa Paolo, Di Pietro, Formentini, Nordmann, Sbarbati, Van Hecke**GUE/NGL:** Ainardi, Bakopoulos, Bergaz Conesa, Bertinotti, Boudjenah, Brie, Caudron, Di Lello Finuoli, Fiebiger, Figueiredo, Fraisse, Herzog, Jové Peres, Kaufmann, Koulourianos, Krivine, Manisco, Markov, Marset Campos, Meijer, Modrow, Nair, Patakis, Puerta, Scarbonchi, Schröder Ilka, Vachetta, Vinci, Wurtz**NI:** Claeys, Dillen, Garaud, de Gaulle, Gollnisch, Gorostiaga Atxalandabaso, Lang, Martinez, Stirbois**PPE-DE:** Bodrato, Bourlanges, Brok, Cocilovo, Cornillet, Daul, De Veyrac, Ebner, Fourtou, Grossetête, Hermange, Lamassoure, Marini, Méndez de Vigo, Morillon, Santer, Schaffner, Sudre, Thyssen, de Veyrinas, Vlasto**PSE:** Andersson, Aparicio Sánchez, Baltas, Berenguer Fuster, Berès, van den Berg, Berger, Bösch, Bowe, Bullmann, Campos, Carlotti, Casaca, Cercas, Ceyhun, Corbett, Corbey, Darras, Dehousse, De Keyser, De Rossa, Désir, Díez González, Dührkop Dührkop, Duhamel, Duin, El Khadraoui, Ettl, Evans Robert J.E., Färm, Fava, Ferreira, Ford, Fruteau, Garot, Gebhardt, Gill, Gillig, Glante, Goebbels, Görlach, Gröner, Guy-Quint, Hänsch, Haug, Hazan, Hedkvist Petersen, Honeyball, Howitt, Hughes, van Hulten, Hume, Iivari, Imbeni, Izquierdo Collado, Izquierdo Rojo, Jöns, Junker, Karamanou, Karlsson, Katiforis, Keßler, Kindermann, Kinnock, Koukiadis, Krehl, Kreissl-Dörfler, Kuckelkorn, Kuhne, Lage, Lalumière, Lange, Lavarra, Leinen, Linkohr, McAvan, McCarthy, McNally, Malliori, Mann Erika, Marinho, Martin David W., Martin Hans-Peter, Martínez Martínez, Mastorakis, Medina Ortega, Mendiluce Pereiro, Menéndez del Valle, Miguélez Ramos, Miller, Miranda de Lage, Moraes, Morgan, Müller, Murphy, Myller, Napolitano, O'Toole, Paciotti, Patrie, Piecyk, Pittella, Poignant, Poos, Prets, Rapkay, Read, Rocard, Roth-Behrendt, Rothe, Rothley, Roure, Ruffolo, Sacconi, Sakellariou, Sandberg-Fries, dos Santos, Sauquillo Pérez del Arco, Savary, Scheele, Schmid Gerhard, Schulz, Simpson, Soares, Sornosa Martínez, Souladakis, Sousa Pinto, Stihler, Stockmann, Swiebel, Swoboda, Theorin, Thorning-Schmidt, Titley, Torres Marques, Vairinhos, Van Lancker, Volcic, Walter, Watts, Weiler, Whitehead, Wiersma, Wynn, Zorba, Zrihen**UEN:** Berlato, Bigliardo, Muscardini, Mussa, Musumeci, Nobilia, Poli Bortone, Segni, Turchi**Verts/ALE:** Aaltonen, Ahern, Auroi, Boumediene-Thiery, Bouwman, Breyer, Buitenweg, Celli, Cohn-Bendit, Dhaene, Echerer, Evans Jillian, Ferrández Lezaun, Flautre, Frassoni, Graefe zu Baringdorf, Hudghton, Isler Béguin, Jonckheer, Lagendijk, Lambert, Lannoye, Lipietz, Lucas, MacCormick, McKenna, Maes, Mayol i Raynal, Onesta, Piétrasanta, Rod, de Roo, Rühle, Schörling, Schroedter, Sørensen, Turmes, Voggenhuber, Wuori, Wyn**Against: 250****EDD:** Belder, Blokland, Booth, van Dam, Farage, Titford**ELDR:** Andreasen, André-Léonard, Busk, Calò, Clegg, Davies, De Clercq, Duff, Dybkjær, Flesch, Gasòliba i Böhm, Huhne, Jensen, Ludford, Lynne, Maaten, Malmström, Manders, Martelli, Monsonís Domingo, Mulder, Newton Dunn, Olsson, Paulsen, Pesälä, Plooi-j-van Gorsel, Pohjamo, Procacci, Ries, Riis-Jørgensen, Rutelli, Schmidt, Sterckx, Sørensen, Thors, Väyrynen, Vallvé, Vermeer, Virrankoski, Wallis, Watson**GUE/NGL:** Frahm, Schmid Herman, Seppänen, Sjöstedt**NI:** Berthu, Beysen, Bonino, Cappato, Della Vedova, Dupuis, Hager, Ilgenfritz, Kronberger, de La Perriere, Pannella, Souchet, Turco

Wednesday 14 January 2004

PPE-DE: Almeida Garrett, Andria, Arvidsson, Atkins, Averoff, Avilés Perea, Ayuso González, Balfe, Banotti, Bartolozzi, Bastos, Bayona de Perogordo, Beazley, Berend, Böge, von Boetticher, Bowis, Bradbourn, Bremmer, Brienza, Brunetta, Bushill-Matthews, Callanan, Camisón Asensio, Cardoso, Cederschiöld, Chichester, Coelho, Corrie, Costa Raffaele, Cushnahan, Deprez, Descamps, Dimitrakopoulos, Dover, Doyle, Elles, Fatuzzo, Ferber, Fernández Martín, Ferrer, Ferri, Fiori, Flemming, Florenz, Folias, Foster, Friedrich, Gahler, Galeote Quecedo, García-Margallo y Marfil, García-Orcoyen Tormo, Gargani, Garriga Polledo, Gawronski, Gemelli, Gil-Robles Gil-Delgado, Glase, Goepel, Gomolka, Goodwill, Gouveia, Graça Moura, Grönfeldt Bergman, Hannan, Hansenne, Harbour, Hatzidakis, Heaton-Harris, Helmer, Hernández Mollar, Herranz García, Hieronymi, Inglewood, Jackson, Jarzembowski, Jeggler, Karas, Kastler, Keppelhoff-Wiechert, Khanbhai, Kirkhope, Klamt, Klauf, Koch, Konrad, Korhola, Kratsa-Tsagaropoulou, Langen, Laschet, Lechner, Lehne, Liese, Lisi, Lombardo, Lulling, Maat, McCartin, McMillan-Scott, Mann Thomas, Mantovani, Marinos, Marques, Martens, Matikainen-Kallström, Mauro, Mayer Hans-Peter, Mayer Xaver, Menrad, Mombaur, Musotto, Naranjo Escobar, Nicholson, Niebler, Nisticò, Oomen-Ruijten, Oreja Arburúa, Pacheco Pereira, Pack, Parish, Pastorelli, Pérez Álvarez, Perry, Pex, Pirker, Piscarreta, Podestà, Poettering, Pomés Ruiz, Posselt, Pronk, Provan, Purvis, Quisthoudt-Rowohl, Radwan, Redondo Jiménez, Ripoll y Martínez de Bedoya, Roving, Rübig, Sacrédeus, Salafranca Sánchez-Neyra, Santini, Sartori, Scallon, Scapagnini, Schierhuber, Schmitt, Schröder Jürgen, Schwaiger, Smet, Sommer, Stenmarck, Stenzel, Stevenson, Stockton, Sturdy, Sumberg, Suominen, Tajani, Tannock, Theato, Trakatellis, Twinn, Valdivielso de Cué, Van Orden, Varela Suanzes-Carpegna, van Velzen, Vidal-Quadras Roca, Villiers, Wenzel-Perillo, Wijkman, von Wogau, Wuermeling, Zabell, Zacharakis, Zappalà, Zimmerling, Zissener

PSE: Lund, Paasilinna

UEN: Camre, Marchiani, Pasqua, Queiró, Ribeiro e Castro, Thomas-Mauro

Abstention: 23

EDD: Abitbol, Andersen, Bernié, Bonde, Butel, Coûteaux, Esclopé, Kuntz, Mathieu, Saint-Josse, Sandbæk

GUE/NGL: Blak

NI: Borghezio, Gobbo, Speroni

PSE: Skinner

UEN: Andrews, Collins, Crowley, Fitzsimons, Hyland, Ó Neachtain

Verts/ALE: Gahrton

Herzog report A5-0484/2003

Amendment 14, 1st part

For: 499

EDD: Andersen, Belder, Blokland, Bonde, Booth, van Dam, Esclopé, Farage, Kuntz, Sandbæk, Titford

ELDR: Andreasen, Attwooll, Busk, Calò, Clegg, Costa Paolo, Davies, De Clercq, Di Pietro, Duff, Dybkjær, Flesch, Formentini, Gasòliba i Böhm, Huhne, Jensen, Ludford, Lynne, Maaten, Malmström, Manders, Martelli, Monsonís Domingo, Mulder, Newton Dunn, Olsson, Paulsen, Pesälä, Plooi-j-van Gorsel, Pohjamo, Procacci, Ries, Riis-Jørgensen, Rutelli, Sbarbati, Schmidt, Sterckx, Sørensen, Thors, Väyrynen, Vallvé, Van Hecke, Vermeer, Virrankoski, Wallis, Watson

GUE/NGL: Bakopoulos, Bergaz Conesa, Bertinotti, Boudjenah, Brie, Cauquil, Di Lello Finuoli, Fiebiger, Figueiredo, Frahm, Fraisse, Herzog, Jové Peres, Kaufmann, Koulourianos, Krivine, Manisco, Markov, Marset Campos, Meijer, Modrow, Patakis, Puerta, Schmid Herman, Schröder Ilka, Seppänen, Sjöstedt, Vinci, Wurtz

NI: Beysen, Bonino, Borghezio, Cappato, Claeys, Della Vedova, Dillen, Dupuis, de Gaulle, Gobbo, Gollnisch, Gorostiaga Atxalandabaso, Ilgenfritz, Kronberger, Lang, Martinez, Paisley, Pannella, Speroni, Stirbois, Turco

PPE-DE: Almeida Garrett, Andria, Arvidsson, Atkins, Averoff, Avilés Perea, Ayuso González, Balfe, Banotti, Bartolozzi, Bastos, Bayona de Perogordo, Beazley, Berend, Bodrato, Böge, von Boetticher, Bourlanges, Bowis, Bradbourn, Bremmer, Brienza, Brok, Brunetta, Bushill-Matthews, Callanan, Camisón Asensio,

Wednesday 14 January 2004

Cardoso, Cederschiöld, Chichester, Cocilovo, Coelho, Cornillet, Corrie, Cushnahan, Daul, Deprez, Descamps, De Veyrac, Dimitrakopoulos, Dover, Doyle, Ebner, Elles, Fatuzzo, Ferber, Fernández Martín, Ferrer, Ferri, Fiori, Flemming, Florenz, Folias, Foster, Fourtou, Friedrich, Gahler, Galeote Quecedo, García-Margallo y Marfil, García-Orcoyen Tormo, Gargani, Garriga Polledo, Gawronski, Gemelli, Gil-Robles Gil-Delgado, Glase, Goepel, Gomolka, Goodwill, Gouveia, Graça Moura, Grönfeldt Bergman, Grosch, Grossetête, Hannan, Hansenne, Harbour, Hatzidakis, Heaton-Harris, Helmer, Hermange, Hernández Mollar, Herranz García, Hieronymi, Inglewood, Jackson, Jarzembowski, Jeggle, Karas, Kastler, Keppelhoff-Wiechert, Khanbhai, Kirkhope, Klamt, Klaf, Koch, Konrad, Korhola, Kratsa-Tsagaropoulou, Lamassoure, Langen, Laschet, Lechner, Lehne, Liese, Lisi, Lombardo, Lulling, Maat, McCartin, McMillan-Scott, Mann Thomas, Mantovani, Marini, Marinos, Marques, Martens, Matikainen-Kallström, Mauro, Mayer Hans-Peter, Mayer Xaver, Méndez de Vigo, Menrad, Mombaur, Morillon, Musotto, Naranjo Escobar, Nicholson, Niebler, Nisticò, Oomen-Ruijten, Oreja Arburúa, Pacheco Pereira, Pack, Parish, Pastorelli, Pérez Álvarez, Perry, Pex, Pirker, Piscarreta, Podestà, Poettering, Pomés Ruiz, Posselt, Pronk, Provan, Purvis, Quisthoudt-Rowohl, Radwan, Redondo Jiménez, Ripoll y Martínez de Bedoya, Rovsing, Rübig, Sacrédeus, Salafranca Sánchez-Neyra, Santer, Santini, Sartori, Scallon, Scapagnini, Schierhuber, Schleicher, Schmitt, Schröder Jürgen, Schwaiger, Smet, Sommer, Stenmarck, Stenzel, Stevenson, Stockton, Sturdy, Sumberg, Suominen, Tajani, Tannock, Theato, Thyssen, Trakatellis, Twinn, Valdivielso de Cué, Van Orden, Varela Suanzes-Carpegna, van Velzen, de Veyrinas, Vidal-Quadras Roca, Villiers, Vlasto, Wenzel-Perillo, Wijkman, von Wogau, Wuermeling, Zabell, Zacharakis, Zappalà, Zimmerling, Zissener

PSE: Andersson, Aparicio Sánchez, Baltas, Berenguer Fuster, Berès, van den Berg, Berger, Bösch, Bowe, Bullmann, Campos, Casaca, Cercas, Ceyhun, Corbett, Corbey, Dehousse, De Rossa, Désir, Díez González, Dührkop Dührkop, Duhamel, Duin, El Khadraoui, Ettl, Evans Robert J.E., Färm, Fava, Ferreira, Ford, Fruteau, Garot, Gebhardt, Gill, Glante, Goebbels, Görlach, Gröner, Hänsch, Haug, Hedkvist Petersen, Honeyball, Howitt, Hughes, van Hulten, Hume, Iivari, Imbeni, Izquierdo Collado, Izquierdo Rojo, Jöns, Junker, Karamanou, Karlsson, Katiforis, Keßler, Kindermann, Kinnock, Koukiadis, Krehl, Kreissl-Dörfler, Kuckelkorn, Kuhne, Lage, Lange, Lavarra, Leinen, Linkohr, Lund, McAvan, McCarthy, McNally, Malliori, Mann Erika, Marinho, Martin David W., Martin Hans-Peter, Martínez Martínez, Mastorakis, Medina Ortega, Mendiluce Pereiro, Menéndez del Valle, Miguélez Ramos, Miller, Miranda de Lage, Moraes, Morgan, Müller, Murphy, Myller, Napoletano, O'Toole, Paasilinna, Paciotti, Piecyk, Pittella, Poos, Prets, Rapkay, Read, Rocard, Roth-Behrendt, Rothe, Rothley, Roure, Ruffolo, Sacconi, Sakellariou, Sandberg-Fries, dos Santos, Sauquillo Pérez del Arco, Savary, Scheele, Schmid Gerhard, Schulz, Simpson, Skinner, Soares, Sornosa Martínez, Souladakis, Sousa Pinto, Stihler, Stockmann, Swiebel, Swoboda, Theorin, Thorning-Schmidt, Titley, Torres Marques, Vairinhos, Van Lancker, Volcic, Walter, Watts, Weiler, Whitehead, Wiersma, Wynn, Zorba, Zrihen

UEN: Andrews, Berlato, Bigliardo, Camre, Collins, Crowley, Fitzsimons, Hyland, Muscardini, Mussa, Musumeci, Nobilia, Ó Neachtain, Pasqua, Poli Bortone, Queiró, Ribeiro e Castro, Segni, Thomas-Mauro, Turchi

Verts/ALE: Aaltonen, Ahern, Boumediene-Thiery, Bouwman, Breyer, Buitenweg, Celli, Dhaene, Echerer, Evans Jillian, Ferrández Lezaun, Flautre, Gahrton, Graefe zu Baringdorf, Hudghton, Isler Béguin, Jonckheer, Legendijk, Lambert, Lannoye, Lucas, MacCormick, McKenna, Maes, Mayol i Raynal, de Roo, Rühle, Schörling, Schroedter, Sörensen, Turmes, Voggenhuber, Wuori, Wyn

Against: 3

GUE/NGL: Blak

NI: Hager

PPE-DE: Costa Raffaele

Herzog report A5-0484/2003

Amendment 14, 2nd part

For: 167

EDD: Abitbol, Andersen, Belder, Bernié, Blokland, Bonde, Booth, Butel, Coûteaux, van Dam, Esclopé, Farage, Kuntz, Mathieu, Saint-Josse, Sandbæk, Titford

ELDR: Nordmann, Olsson, Pohjamo, Sbarbati, Thors, Van Hecke

Wednesday 14 January 2004

GUE/NGL: Ainardi, Bakopoulos, Bergaz Conesa, Bertinotti, Bordes, Boudjenah, Brie, Caudron, Cauquil, Di Lello Finuoli, Fiebiger, Figueiredo, Frahm, Fraisse, Herzog, Jové Peres, Kaufmann, Koulourianos, Krivine, Laguiller, Manisco, Markov, Marset Campos, Meijer, Modrow, Nair, Patakis, Scarbonchi, Schmid Herman, Schröder Ilka, Seppänen, Sjöstedt, Vachetta, Vinci, Wurtz

NI: Claeys, Dillen, Garaud, de Gaulle, Gollnisch, Gorostiaga Atxalandabaso, Lang, Martinez, Paisley, Stirbois

PPE-DE: Cocilovo, Korhola

PSE: Berès, Bösch, Bowe, Bullmann, Carlotti, Ceyhun, Corbett, Darras, Dehousse, De Keyser, Désir, El Khadraoui, Ettl, Evans Robert J.E., Fava, Ferreira, Ford, Fruteau, Gill, Glante, Haug, Hazan, Honeyball, Howitt, Hughes, Karamanou, Karlsson, Kinnock, McAvan, McCarthy, McNally, Martin David W., Martin Hans-Peter, Miller, Moraes, Morgan, Murphy, O'Toole, Paasilinna, Patrie, Pittella, Read, Rocard, Roure, Savary, Scheele, Schmid Gerhard, Simpson, Sousa Pinto, Stihler, Titley, Van Lancker, Watts, Whitehead, Wynn, Zorba, Zrihen

Verts/ALE: Aaltonen, Ahern, Auroi, Boumediene-Thiery, Bouwman, Breyer, Buitenweg, Cohn-Bendit, Dhaene, Echerer, Evans Jillian, Ferrández Lezaun, Flautre, Frassoni, Gahrton, Graefe zu Baringdorf, Hudghton, Isler Béguin, Jonckheer, Lagendijk, Lambert, Lannoye, Lipietz, Lucas, MacCormick, McKenna, Maes, Mayol i Raynal, Onesta, Piétrasanta, Rod, de Roo, Rühle, Schörling, Schroedter, Sörensen, Turmes, Voggenhuber, Wuori, Wyn

Against: 361

ELDR: Andreasen, André-Léonard, Attwooll, Busk, Calò, Clegg, Davies, De Clercq, Di Pietro, Duff, Dybkjær, Fleisch, Formentini, Huhne, Jensen, Ludford, Lynne, Maaten, Malmström, Manders, Martelli, Monsonís Domingo, Mulder, Newton Dunn, Paulsen, Pesälä, Plooij-van Gorsel, Procacci, Ries, Riis-Jørgensen, Rutelli, Schmidt, Sterckx, Sørensen, Väyrynen, Vallvé, Vermeer, Virrankoski, Wallis, Watson

GUE/NGL: Blak

NI: Bonino, Borghezio, Cappato, Della Vedova, Dupuis, Gobbo, Hager, Ilgenfritz, Kronberger, de La Perriere, Pannella, Souchet, Speroni, Turco

PPE-DE: Almeida Garrett, Andria, Arvidsson, Atkins, Averoff, Avilés Perea, Ayuso González, Balfe, Banotti, Bartolozzi, Bastos, Bayona de Perogordo, Beazley, Bébéar, Berend, Bodrato, Böge, von Boetticher, Bourlanges, Bowis, Bradbourn, Bremmer, Brienza, Brok, Brunetta, Bushill-Matthews, Callanan, Camisón Asensio, Cardoso, Cederschiöld, Chichester, Coelho, Cornillet, Corrie, Costa Raffaele, Cushman, Daul, Deprez, Descamps, De Veyrac, Dimitrakopoulos, Dover, Doyle, Ebner, Elles, Fatuzzo, Ferber, Fernández Martín, Ferrer, Ferri, Fiori, Flemming, Florenz, Folias, Foster, Fourtoul, Friedrich, Gahler, Galeote Quecedo, García-Margallo y Marfil, García-Orcoyen Tormo, Gargani, Garriga Polledo, Gawronski, Gemelli, Gil-Robles Gil-Delgado, Glane, Goepel, Gomolka, Goodwill, Gouveia, Graça Moura, Grönfeldt Bergman, Grosch, Grossetête, Hannan, Hansenne, Harbour, Hatzidakis, Heaton-Harris, Helmer, Hermange, Hernández Mollar, Herranz García, Hieronymi, Inglewood, Jackson, Jarzembowski, Jeggel, Karas, Kastler, Keppelhoff-Wiechert, Khanbhai, Kirkhope, Klamt, Klab, Koch, Konrad, Kratsa-Tsagaropoulou, Lamassoure, Langen, Laschet, Lechner, Lehne, Liese, Lisi, Lombardo, Lulling, McCartin, McMillan-Scott, Mann Thomas, Mantovani, Marini, Marinos, Marques, Martens, Matikainen-Kallström, Mauro, Mayer Hans-Peter, Mayer Xaver, Méndez de Vigo, Menrad, Mombaur, Morillon, Musotto, Naranjo Escobar, Nicholson, Niebler, Nisticò, Oomen-Ruijten, Oreja Arburúa, Pacheco Pereira, Pack, Parish, Pastorelli, Pérez Álvarez, Perry, Pex, Pirker, Píscarreta, Podestà, Poettering, Posselt, Pronk, Provan, Purvis, Quisthoudt-Rowohl, Radwan, Redondo Jiménez, Ripoll y Martínez de Bedoya, Røvsing, Rübig, Sacrédeus, Salafranca Sánchez-Neyra, Santer, Santini, Sartori, Scallon, Scapagnini, Schaffner, Schierhuber, Schleicher, Schmitt, Schröder Jürgen, Schwaiger, Smet, Sommer, Stenmarck, Stenzel, Stevenson, Stockton, Sturdy, Sudre, Sumberg, Suominen, Tajani, Tannock, Theato, Thyssen, Trakatellis, Twinn, Valdivielso de Cué, Van Orden, Varela Suanzes-Carpegna, van Velzen, de Veyrinas, Vidal-Quadras Roca, Villiers, Vlasto, Wenzel-Perillo, Wijkman, von Wogau, Wiermeling, Zabell, Zacharakis, Zappalà, Zimmerling, Zissener

PSE: Andersson, Aparicio Sánchez, Baltas, Berenguer Fuster, van den Berg, Campos, Casaca, Cercas, Corbey, De Rossa, Díez González, Dührkop Dührkop, Duhamel, Duin, Färm, Garot, Gebhardt, Gillig, Görlach, Gröner, Guy-Quint, Hänsch, Hedkvist Petersen, van Hulst, Hume, Ivari, Imbeni, Izquierdo Collado, Izquierdo Rojo, Jöns, Junker, Katiforis, Keßler, Kindermann, Koukiadis, Krehl, Kreissl-Dörfler, Kuckelkorn, Kuhne, Lage, Lalumière, Lange, Lavarra, Leinen, Linkohr, Lund, Malliori, Mann Erika, Marinho, Martínez Martínez, Mastorakis, Medina Ortega, Menéndez del Valle, Miguélez Ramos, Miranda de Lage, Müller, Myller, Napoletano, Paciotti, Piecyk, Poignant, Poos, Prets, Rapkay, Roth-Behrendt, Rothe, Rothley, Ruffolo, Sacconi, Sakellariou, Sandberg-Fries, dos Santos, Sauquillo Pérez del Arco, Schulz,

Wednesday 14 January 2004

Skinner, Soares, Sornosa Martínez, Souladakis, Stockmann, Swiebel, Theorin, Thorning-Schmidt, Torres Marques, Vairinhos, Volcic, Walter, Weiler, Wiersma

UEN: Andrews, Berlato, Bigliardo, Camre, Collins, Crowley, Fitzsimons, Hyland, Marchiani, Mussa, Musumeci, Nobilia, Ó Neachtain, Pasqua, Poli Bortone, Queiró, Ribeiro e Castro, Segni, Thomas-Mauro, Turchi

Abstention: 6

NI: Berthu, Beysen

PPE-DE: Maat

PSE: Goebbels, Mendiluce Pereiro

Verts/ALE: Celli

Herzog report A5-0484/2003

Amendment 14, 3rd part

For: 531

EDD: Abitbol, Andersen, Belder, Bernié, Blokland, Bonde, Booth, Butel, Coûteaux, van Dam, Esclopé, Farage, Kuntz, Mathieu, Saint-Josse, Sandbæk, Titford

ELDR: Andreasen, André-Léonard, Attwooll, Busk, Calò, Clegg, Costa Paolo, Davies, De Clercq, Di Pietro, Duff, Dybkjær, Flesch, Formentini, Gasòliba i Böhm, Huhne, Jensen, Ludford, Lynne, Maaten, Manders, Martelli, Monsonís Domingo, Mulder, Newton Dunn, Olsson, Paulsen, Pesälä, Plooij-van Gorsel, Pohjamo, Procacci, Ries, Rutelli, Sbarbati, Schmidt, Sterckx, Sørensen, Thors, Väyrynen, Vallvé, Van Hecke, Vermeer, Virrankoski, Wallis, Watson

GUE/NGL: Ainardi, Bakopoulos, Bergaz Conesa, Bertinotti, Bordes, Boudjenah, Brie, Caudron, Cauquil, Di Lello Finuoli, Fiebiger, Frahm, Fraise, Herzog, Kaufmann, Koulourianos, Krivine, Laguiller, Manisco, Markov, Marset Campos, Meijer, Modrow, Nair, Patakis, Puerta, Scarbonchi, Schmid Herman, Schröder Ilka, Seppänen, Sjöstedt, Vachetta, Vinci, Wurtz

NI: Berthu, Beysen, Bonino, Borghezio, Cappato, Claeys, Della Vedova, Dillen, Dupuis, Garaud, de Gaulle, Gobbo, Gollnisch, Gorostiaga Atxalandabaso, Ilgenfritz, Kronberger, Lang, de La Perriere, Martinez, Pannella, Souchet, Speroni, Stirbois, Turco

PPE-DE: Almeida Garrett, Andria, Arvidsson, Atkins, Averoff, Avilés Perea, Ayuso González, Balfe, Banotti, Bartolozzi, Bastos, Bayona de Perogordo, Beazley, Bébear, Berend, Bodrato, Böge, von Boetticher, Bourlanges, Bowis, Bradbourn, Bremmer, Brienza, Brok, Brunetta, Bushill-Matthews, Callanan, Camisón Asensio, Cardoso, Cederschiöld, Chichester, Cocilovo, Coelho, Cornillet, Corrie, Cushnahan, Daul, Deprez, Descamps, De Veyrac, Dimitrakopoulos, Dover, Doyle, Ebner, Elles, Fatuzzo, Ferber, Fernández Martín, Ferrer, Ferri, Fiori, Flemming, Florenz, Folias, Foster, Fourtou, Friedrich, Gahler, Galeote Quecedo, García-Margallo y Marfil, García-Orcoyen Tormo, Gargani, Garriga Polledo, Gawronski, Gemelli, Gil-Robles Gil-Delgado, Glase, Goepel, Gomolka, Goodwill, Gouveia, Graça Moura, Grönfeldt Bergman, Grosch, Grossetête, Hannan, Hansenne, Harbour, Hatzidakis, Heaton-Harris, Helmer, Hermange, Hernández Mollar, Herranz García, Hieronymi, Inglewood, Jackson, Jarzembowski, Jeggle, Karas, Kastler, Keppelhoff-Wiechert, Khanbhai, Kirkhope, Klamt, Klaß, Koch, Konrad, Korhola, Kratsa-Tsagaropoulou, Lamassoure, Langen, Laschet, Lechner, Lehne, Liese, Lisi, Lombardo, Lulling, Maat, McCartin, McMillan-Scott, Mann Thomas, Mantovani, Marini, Marinos, Marques, Martens, Matikainen-Kallström, Mauro, Mayer Hans-Peter, Mayer Xaver, Méndez de Vigo, Menrad, Mombaur, Morillon, Musotto, Naranjo Escobar, Nicholson, Niebler, Nisticò, Oomen-Ruijten, Oreja Arburúa, Pacheco Pereira, Pack, Parish, Pastorelli, Pérez Álvarez, Perry, Pex, Pirker, Piscarreta, Podestà, Poettering, Pomés Ruiz, Posselt, Pronk, Provan, Purvis, Quisthoudt-Rowohl, Radwan, Redondo Jiménez, Ripoll y Martínez de Bedoya, Rovsing, Rübige, Sacrédeus, Salafranca Sánchez-Neyra, Santer, Santini, Sartori, Scallan, Scapagnini, Schaffner, Schierhuber, Schleicher, Schmitt, Schröder Jürgen, Schwaiger, Smet, Sommer, Stenmarck, Stenzel, Stevenson, Stockton, Sturdy, Sudre, Sumberg, Suominen, Tajani, Tannock, Theato, Thyssen, Trakatellis, Twinn, Valdivielso de Cué, Van Orden, Varela Suanzes-Carpegna, van Velzen, de Veyrinas, Vidal-Quadras Roca, Villiers, Vlasto, Wenzel-Perillo, Wijkman, von Wogau, Wiermeling, Zabell, Zacharakis, Zappalà, Zimmerling, Zissener

PSE: Andersson, Aparicio Sánchez, Baltas, Berenguer Fuster, Berès, van den Berg, Berger, Bösch, Bowe, Bullmann, Campos, Carlotti, Casaca, Cercas, Ceyhun, Corbett, Corbey, Darras, Dehousse, De Keyser, De

Wednesday 14 January 2004

Rossa, Désir, Díez González, Dührkop Dührkop, Duhamel, Duin, El Khadraoui, Ettl, Evans Robert J.E., Färm, Fava, Ferreira, Ford, Fruteau, Garot, Gebhardt, Gill, Gillig, Glante, Goebels, Görlach, Gröner, Guy-Quint, Hänsch, Haug, Hazan, Hedkvist Petersen, Honeyball, Howitt, Hughes, van Hulten, Hume, Iivari, Imbeni, Izquierdo Collado, Izquierdo Rojo, Jöns, Junker, Karamanou, Karlsson, Katiforis, Kefler, Kindermann, Kinnock, Koukiadis, Krehl, Kreissl-Dörfler, Kuckelkorn, Kuhne, Lage, Lalumière, Lange, Lavarra, Leinen, Linkohr, Lund, McAvan, McCarthy, McNally, Malliori, Mann Erika, Marinho, Martin David W., Martin Hans-Peter, Martínez Martínez, Mastorakis, Medina Ortega, Mendiluce Pereiro, Menéndez del Valle, Miguélez Ramos, Miller, Miranda de Lage, Moraes, Morgan, Müller, Murphy, Myller, Napoletano, O'Toole, Paasilinna, Paciotti, Patrie, Piecyk, Pittella, Poignant, Poos, Prets, Rapkay, Read, Rocard, Roth-Behrendt, Rothe, Rothley, Roure, Ruffolo, Sacconi, Sakellariou, Sandberg-Fries, dos Santos, Sauquillo Pérez del Arco, Savary, Scheele, Schmid Gerhard, Schulz, Simpson, Skinner, Soares, Sornosa Martínez, Souladakis, Sousa Pinto, Stihler, Stockmann, Swoboda, Theorin, Thorning-Schmidt, Titley, Torres Marques, Vairinhos, Van Lancker, Volcic, Walter, Watts, Weiler, Whitehead, Wiersma, Wynn, Zorba, Zrihen

UEN: Andrews, Berlato, Bigliardo, Camre, Collins, Crowley, Fitzsimons, Hyland, Marchiani, Muscardini, Mussa, Musumeci, Nobilia, Ó Neachtain, Pasqua, Poli Bortone, Queiró, Ribeiro e Castro, Segni, Thomas-Mauro, Turchi

Verts/ALE: Aaltonen, Ahern, Auroi, Boumediene-Thiery, Bouwman, Breyer, Buitenweg, Celli, Cohn-Bendit, Dhaene, Echerer, Evans Jillian, Ferrández Lezaun, Flautre, Frassoni, Gahrton, Graefe zu Baringdorf, Hudghton, Isler Béguin, Jonckheer, Lagendijk, Lambert, Lannoye, Lipietz, Lucas, MacCormick, McKenna, Maes, Mayol i Raynal, Onesta, Piétrasanta, Rod, de Roo, Rühle, Schörling, Schroedter, Sörensen, Turmes, Voggenhuber, Wuori, Wyn

Against: 4

ELDR: Malmström

GUE/NGL: Blak

NI: Hager

PPE-DE: Costa Raffaele

Herzog report A5-0484/2003

Paragraph 13

For: 273

EDD: Booth, Farage, Titford

ELDR: Andreasen, André-Léonard, Attwooll, Busk, Calò, Clegg, Costa Paolo, Davies, De Clercq, Duff, Dybkjær, Formentini, Gasòliba i Böhm, Huhne, Jensen, Ludford, Lynne, Maaten, Malmström, Manders, Martelli, Monsonís Domingo, Mulder, Newton Dunn, Olsson, Paulsen, Pesälä, Plooij-van Gorsel, Pohjamo, Procacci, Ries, Riis-Jørgensen, Rutelli, Schmidt, Sterckx, Sørensen, Thors, Väyrynen, Vallvé, Van Hecke, Vermeer, Virrankoski, Wallis, Watson

GUE/NGL: Blak

NI: Berthu, Beysen, Bonino, Cappato, Della Vedova, Dupuis, Hager, Ilgenfritz, Kronberger, Paisley, Pannella, Souchet, Turco

PPE-DE: Almeida Garrett, Andria, Arvidsson, Atkins, Averoff, Avilés Perea, Ayuso González, Balfé, Banotti, Bartolozzi, Bastos, Bayona de Perogordo, Beazley, Bébéar, Berend, Bodrato, Böge, von Boetticher, Boursanges, Bowis, Bradbourn, Bremmer, Brienza, Brok, Brunetta, Bushill-Matthews, Camisón Asensio, Cardoso, Cederschiöld, Chichester, Cocilovo, Coelho, Cornillet, Corrie, Cushnahan, Daul, Deprez, Descamps, De Veyrac, Dimitrakopoulos, Dover, Doyle, Ebner, Elles, Fatuzzo, Ferber, Fernández Martín, Ferrer, Ferri, Fiori, Flemming, Florenz, Folias, Foster, Fourtou, Friedrich, Gahler, Galeote Quecedo, García-Margallo y Marfil, García-Orcoyen Tormo, Gargani, Garriga Polledo, Gawronski, Gemelli, Gil-Robles Gil-Delgado, Glase, Goepel, Gomolka, Gouveia, Graça Moura, Grönfeldt Bergman, Grosch, Grossetête, Hansenne, Harbour, Hatzidakis, Heaton-Harris, Helmer, Hermange, Hernández Mollar, Herranz García, Hieronymi, Inglewood, Jackson, Jarzembowski, Jeggler, Karas, Kastler, Keppelhoff-Wiechert, Khanbhai, Kirkhope, Klamt, Kläß, Koch, Konrad, Korhola, Kratsa-Tsagaropoulou, Lamassoure, Langen, Laschet,

Wednesday 14 January 2004

Lechner, Lehne, Liese, Lisi, Lombardo, Lulling, Maat, McCartin, McMillan-Scott, Mann Thomas, Mantovani, Marini, Marinos, Marques, Martens, Matikainen-Kallström, Mauro, Mayer Hans-Peter, Mayer Xaver, Méndez de Vigo, Menrad, Mombaur, Morillon, Musotto, Naranjo Escobar, Nicholson, Niebler, Nisticò, Oomen-Ruijten, Pacheco Pereira, Pack, Parish, Pastorelli, Pérez Álvarez, Perry, Pex, Pirker, Piscarreta, Podestà, Poettering, Pomés Ruiz, Posselt, Pronk, Provan, Purvis, Quisthoudt-Rowohl, Radwan, Redondo Jiménez, Ripoll y Martínez de Bedoya, Roving, Rübiger, Sacrédeus, Salafranca Sánchez-Neyra, Santer, Santini, Sartori, Scallon, Scapagnini, Schaffner, Schierhuber, Schleicher, Schmitt, Schröder Jürgen, Schwaiger, Smet, Sommer, Stenmarck, Stenzel, Stevenson, Stockton, Sturdy, Sudre, Sumberg, Suominen, Tajani, Tannock, Theato, Thyssen, Trakatellis, Twinn, Valdivielso de Cué, Van Orden, Varela Suanzes-Carpegna, van Velzen, de Veyrinas, Vidal-Quadras Roca, Villiers, Vlasto, Wenzel-Perillo, Wijkman, von Wogau, Wuermeling, Zabell, Zacharakis, Zappalà, Zimmerling, Zissener

PSE: Ford, Karlsson, Lage, Martin Hans-Peter, Thorning-Schmidt

UEN: Andrews, Bigliardo, Collins, Crowley, Fitzsimons, Hyland, Ó Neachtain, Poli Bortone, Queiró

Verts/ALE: Auroi

Against: 245

EDD: Abitbol, Andersen, Bernié, Bonde, Butel, Coûteaux, Esclopé, Kuntz, Mathieu, Saint-Josse, Sandbæk

ELDR: Di Pietro, Sbarbati

GUE/NGL: Ainardi, Bakopoulos, Bergaz Conesa, Bertinotti, Bordes, Boudjenah, Brie, Caudron, Cauquil, Di Lello Finuoli, Fiebigler, Figueiredo, Frahm, Fraisse, Herzog, Jové Peres, Kaufmann, Koulourianos, Krivine, Laguiller, Manisco, Markov, Marset Campos, Meijer, Modrow, Nair, Patakis, Puerta, Scarbonchi, Schmid Herman, Schröder Ilka, Seppänen, Sjöstedt, Vachetta, Vinci, Wurtz

NI: Borghezio, Claeys, Dillen, Garaud, Gobbo, Gollnisch, Gorostiaga Atxalandabaso, Lang, Martinez, Speroni, Störbois

PPE-DE: Callanan, Goodwill, Hannan

PSE: Andersson, Aparicio Sánchez, Baltas, Berenguer Fuster, Berès, van den Berg, Berger, Bösch, Bowe, Bullmann, Campos, Carlotti, Casaca, Cercas, Ceyhun, Corbett, Corbey, Darras, Dehousse, De Keyser, De Rossa, Désir, Díez González, Dührkop Dührkop, Duhamel, Duin, El Khadraoui, Evans Robert J.E., Färm, Fava, Ferreira, Fruteau, Garot, Gebhardt, Gill, Gillig, Glante, Goebbels, Görlach, Gröner, Guy-Quint, Hänsch, Haug, Hazan, Hedkvist Petersen, Honeyball, Howitt, Hughes, van Hulten, Hume, Iivari, Imbeni, Izquierdo Collado, Izquierdo Rojo, Jöns, Junker, Karamanou, Katiforis, Keßler, Kindermann, Kinnock, Koukiadis, Krehl, Kreissl-Dörfler, Kuckelkorn, Kuhne, Lalumière, Lange, Lavarra, Leinen, Linkohr, Lund, McAvan, McCarthy, McNally, Malliori, Mann Erika, Marinho, Martin David W., Martínez Martínez, Mastorakis, Medina Ortega, Mendiluce Pereiro, Menéndez del Valle, Miguélez Ramos, Miller, Miranda de Lage, Moraes, Morgan, Müller, Murphy, Myller, Napoletano, O'Toole, Paasilinna, Paciotti, Patrie, Piecyk, Pittella, Poignant, Poos, Prets, Rapkay, Read, Rocard, Roth-Behrendt, Rothe, Rothley, Roure, Ruffolo, Sacconi, Sakellariou, Sandberg-Fries, dos Santos, Sauquillo Pérez del Arco, Savary, Scheele, Schmid Gerhard, Schulz, Simpson, Skinner, Soares, Sornosa Martínez, Souladakis, Sousa Pinto, Stihler, Stockmann, Swiebel, Swoboda, Theorin, Titley, Torres Marques, Vairinhos, Van Lancker, Volcic, Walter, Watts, Weiler, Whitehead, Wiersma, Wynn, Zorba, Zrihen

Verts/ALE: Aaltonen, Ahern, Boumediene-Thiery, Bouwman, Breyer, Buitenweg, Celli, Dhaene, Echerer, Evans Jillian, Ferrández Lezaun, Flautre, Frassoni, Gahrton, Graefe zu Baringdorf, Hudghton, Isler Béguin, Jonckheer, Legendijk, Lambert, Lannoye, Lipietz, Lucas, MacCormick, McKenna, Maes, Mayol i Raynal, Onesta, Piétrasanta, Rod, de Roo, Rühle, Schörling, Schroedter, Sörensen, Turmes, Voggenhuber, Wuori, Wyn

Abstention: 16

EDD: Belder, Blokland, van Dam

ELDR: Flesch

NI: de La Perriere

UEN: Berlatto, Camre, Marchiani, Mussa, Musumeci, Nobilia, Pasqua, Ribeiro e Castro, Segni, Thomas-Mauro, Turchi

Wednesday 14 January 2004

Herzog report A5-0484/2003

Paragraph 14

For: 372

EDD: Booth, Farage, Titford

ELDR: Andreasen, André-Léonard, Busk, Calò, Clegg, Costa Paolo, Davies, De Clercq, Di Pietro, Duff, Dybkjær, Fleisch, Formentini, Gasòliba i Böhm, Huhne, Jensen, Ludford, Lynne, Maaten, Malmström, Manders, Martelli, Monsonís Domingo, Mulder, Newton Dunn, Nordmann, Olsson, Paulsen, Pesälä, Plooijs-van Gorsel, Pohjamo, Procacci, Ries, Riis-Jørgensen, Rutelli, Sbarbati, Schmidt, Sterckx, Sørensen, Thors, Väyrynen, Vallvé, Vermeer, Virrankoski, Wallis, Watson

GUE/NGL: Blak

NI: Beysen, Bonino, Cappato, Della Vedova, Dupuis, Hager, Ilgenfritz, Kronberger, de La Perriere, Paisley, Pannella, Souchet, Turco

PPE-DE: Almeida Garrett, Andria, Arvidsson, Atkins, Averoff, Avilés Perea, Ayuso González, Balfé, Banotti, Bartolozzi, Bastos, Bayona de Perogordo, Beazley, Bébéar, Berend, Bodrato, Böge, von Boetticher, Boursanges, Bowis, Bradbourn, Bremmer, Brienza, Brok, Brunetta, Bushill-Matthews, Camisón Asensio, Cardoso, Cederschiöld, Chichester, Cocilovo, Coelho, Cornillet, Corrie, Costa Raffaele, Cushnahan, Daul, Deprez, Descamps, De Veyrac, Dimitrakopoulos, Dover, Doyle, Ebner, Elles, Fatuzzo, Ferber, Fernández Martín, Ferrer, Ferri, Fiori, Flemming, Folias, Foster, Fourtou, Friedrich, Gähler, Galeote Quecedo, García-Margallo y Marfil, Gargani, Garriga Polledo, Gawronski, Gemelli, Gil-Robles Gil-Delgado, Glase, Goepel, Gomolka, Gouveia, Graça Moura, Grönfeldt Bergman, Grosch, Grossetête, Hannan, Hansenne, Harbour, Hatzidakis, Heaton-Harris, Helmer, Hermange, Hernández Mollar, Herranz García, Hieronymi, Inglewood, Jackson, Jarzembowski, Jeggle, Karas, Kastler, Keppelhoff-Wiechert, Khanbhai, Kirkhope, Klamt, Kläß, Koch, Konrad, Korhola, Kratsa-Tsagaropoulou, Lamassoure, Langen, Laschet, Lechner, Lehne, Liese, Lisi, Lombardo, Lulling, Maat, McCartin, McMillan-Scott, Mann Thomas, Mantovani, Marini, Marinos, Marques, Martens, Matikainen-Kallström, Mauro, Mayer Hans-Peter, Mayer Xaver, Méndez de Vigo, Menrad, Mombaur, Morillon, Musotto, Naranjo Escobar, Nicholson, Niebler, Nisticò, Oomen-Ruijten, Oreja Arburúa, Pacheco Pereira, Pack, Parish, Pastorelli, Pérez Álvarez, Perry, Pex, Pirker, Piscarreta, Poettering, Pomés Ruiz, Posselt, Pronk, Provan, Purvis, Quisthoudt-Rowohl, Radwan, Redondo Jiménez, Ripoll y Martínez de Bedoya, Rovsing, Rübig, Sacrédeus, Salafranca Sánchez-Neyra, Santer, Santini, Sartori, Scallon, Scapagnini, Schaffner, Schierhuber, Schleicher, Schmitt, Schröder Jürgen, Schwaiger, Smet, Sommer, Stenmarck, Stenzel, Stevenson, Stockton, Sturdy, Sudre, Sumberg, Suominen, Tajani, Tannock, Theato, Thyssen, Trakatellis, Twinn, Valdivielso de Cué, Van Orden, Varela Suanzes-Carpegna, van Velzen, de Veyrinas, Vidal-Quadras Roca, Villiers, Vlasto, Wenzel-Perillo, Wijkman, von Wogau, Wiermeling, Zacharakis, Zappalà, Zimmerling, Zissener

PSE: Andersson, Aparicio Sánchez, Baltas, Berenguer Fuster, van den Berg, Berger, Bösch, Bullmann, Campos, Casaca, Cercas, Ceyhun, Corbey, De Rossa, Díez González, Dührkop Dührkop, Duin, Ettl, Färm, Gebhardt, Glante, Goebbels, Görlach, Gröner, Guy-Quint, Hänsch, Haug, Hedkvist Petersen, van Hulten, Hume, Iivari, Imbeni, Izquierdo Collado, Izquierdo Rojo, Jöns, Karamanou, Karlsson, Katiforis, Keßler, Kindermann, Krehl, Kreißl-Dörfler, Kuckelkorn, Kuhne, Lage, Lange, Lavarra, Leinen, Linkohr, Malliori, Mann Erika, Marinho, Martin Hans-Peter, Martínez Martínez, Mastorakis, Medina Ortega, Mendiluce Pereiro, Menéndez del Valle, Miguélez Ramos, Miranda de Lage, Müller, Myller, Napolitano, Paciotti, Piecyk, Poos, Prets, Rapkay, Roth-Behrendt, Rothe, Rothley, Ruffolo, Sacconi, Sakellariou, Sandberg-Fries, dos Santos, Sauquillo Pérez del Arco, Schmid Gerhard, Schulz, Soares, Sornosa Martínez, Sousa Pinto, Stockmann, Swiebel, Swoboda, Theorin, Torres Marques, Vairinhos, Volcic, Walter, Weiler, Wiersma, Zorba

UEN: Andrews, Berlato, Bigliardo, Collins, Crowley, Fitzsimons, Hyland, Marchiani, Muscardini, Mussa, Musumeci, Nobilia, Ó Neachtain, Pasqua, Poli Bortone, Queiró, Ribeiro e Castro, Segni, Thomas-Mauro, Turchi

Against: 156

EDD: Abitbol, Andersen, Bernié, Bonde, Butel, Coûteaux, Esclopé, Kuntz, Mathieu, Saint-Josse, Sandbæk

GUE/NGL: Ainardi, Bakopoulos, Bergaz Conesa, Bertinotti, Bordes, Boudjenah, Brie, Caudron, Cauquil, Di Lello Finuoli, Fiebiger, Figueiredo, Frahm, Fraisse, Herzog, Jové Peres, Kaufmann, Koulourianos, Krivine, Laguiller, Manisco, Markov, Marset Campos, Meijer, Modrow, Nair, Patakis, Puerta, Scarbonchi, Schmid Herman, Schröder Ilka, Seppänen, Sjøstedt, Vachetta, Vinci, Wurtz

Wednesday 14 January 2004

NI: Claeys, Dillen, Garaud, de Gaulle, Gollnisch, Gorostiaga Atxalandabaso, Lang, Martinez, Stirbois

PPE-DE: Callanan, Goodwill

PSE: Berès, Bowe, Carlotti, Corbett, Darras, Dehousse, De Keyser, Désir, Duhamel, El Khadraoui, Evans Robert J.E., Fava, Ferreira, Ford, Fruteau, Garot, Gill, Gillig, Hazan, Honeyball, Howitt, Hughes, Junker, Kinnock, Koukiadis, Lalumière, Lund, McAvan, McCarthy, McNally, Martin David W., Miller, Moraes, Morgan, Murphy, O'Toole, Paasilinna, Patrie, Pittella, Poignant, Read, Rocard, Roure, Savary, Scheele, Simpson, Skinner, Souladakis, Stihler, Thorning-Schmidt, Titley, Van Lancker, Watts, Whitehead, Wynn, Zrihen

UEN: Camre

Verts/ALE: Aaltonen, Ahern, Auroi, Boumediene-Thiery, Bouwman, Breyer, Buitenweg, Celli, Cohn-Bendit, Dhaene, Echerer, Evans Jillian, Ferrández Lezaun, Flautre, Frassoni, Gahrton, Graefe zu Baringdorf, Hudghton, Isler Béguin, Jonckheer, Lagendijk, Lambert, Lannoye, Lipietz, Lucas, MacCormick, McKenna, Maes, Mayol i Raynal, Onesta, Piétrasanta, Rod, de Roo, Rühle, Schörling, Schroedter, Sörensen, Turmes, Voggenhuber, Wuori, Wyn

Abstention: 9

EDD: Belder, Blokland, van Dam

ELDR: Attwooll, Van Hecke

NI: Berthu, Borghezio, Gobbo, Speroni

Herzog report A5-0484/2003

Amendment 42

For: 234

EDD: Abitbol, Andersen, Bernié, Bonde, Butel, Coûteaux, Esclopé, Kuntz, Mathieu, Saint-Josse, Sandbæk

ELDR: Di Pietro, Sbarbati

GUE/NGL: Ainardi, Bakopoulos, Bergaz Conesa, Bertinotti, Boudjenah, Brie, Caudron, Di Lello Finuoli, Fiebiger, Figueiredo, Fraisse, Herzog, Jové Peres, Kaufmann, Koulourianos, Krivine, Manisco, Markov, Marset Campos, Meijer, Modrow, Nair, Patakis, Puerta, Scarbonchi, Schröder Ilka, Vachetta, Vinci, Wurtz

NI: Garaud, Gorostiaga Atxalandabaso

PPE-DE: Lulling, Pérez Álvarez

PSE: Andersson, Aparicio Sánchez, Baltas, Berenguer Fuster, Berès, van den Berg, Berger, Bösch, Bowe, Bullmann, Campos, Carlotti, Casaca, Cercas, Ceyhun, Corbett, Corbey, Darras, Dehousse, De Keyser, De Rossa, Désir, Díez González, Dührkop Dührkop, Duhamel, Duin, El Khadraoui, Ettl, Evans Robert J.E., Färm, Fava, Ferreira, Ford, Fruteau, Garot, Gebhardt, Gill, Gillig, Glante, Goebbels, Görlach, Gröner, Guy-Quint, Hänsch, Haug, Hazan, Hedkvist Petersen, Honeyball, Howitt, Hughes, van Hulten, Hume, Iivari, Imbeni, Izquierdo Collado, Izquierdo Rojo, Jöns, Junker, Karamanou, Karlsson, Katiforis, Keßler, Kindermann, Kinnock, Koukiadis, Krehl, Kreissl-Dörfler, Kuckelkorn, Kuhne, Lage, Lalumière, Lange, Lavarra, Leinen, Linkohr, McAvan, McCarthy, McNally, Malliori, Mann Erika, Marinho, Martin David W., Martin Hans-Peter, Martínez Martínez, Mastorakis, Medina Ortega, Mendiluce Pereiro, Menéndez del Valle, Miguélez Ramos, Miller, Miranda de Lage, Moraes, Morgan, Müller, Murphy, Myller, Napoletano, O'Toole, Paciotti, Patrie, Piecyk, Pittella, Poignant, Poos, Prets, Rapkay, Read, Rocard, Roth-Behrendt, Rothe, Rothley, Roure, Ruffolo, Sacconi, Sakellariou, Sandberg-Fries, dos Santos, Sauquillo Pérez del Arco, Savary, Scheele, Schmid Gerhard, Schulz, Simpson, Soares, Sornosa Martínez, Souladakis, Sousa Pinto, Stihler, Stockmann, Swibel, Swoboda, Theorin, Thorning-Schmidt, Titley, Torres Marques, Vairinhos, Van Lancker, Volcic, Walter, Watts, Weiler, Whitehead, Wiersma, Wynn, Zorba, Zrihen

Wednesday 14 January 2004

UEN: Segni

Verts/ALE: Aaltonen, Ahern, Auroi, Boumediene-Thiery, Bouwman, Breyer, Buitenweg, Celli, Cohn-Bendit, Dhaene, Echerer, Evans Jillian, Ferrández Lezaun, Flautre, Frassoni, Gahrton, Graefe zu Baringdorf, Hudghton, Isler Béguin, Jonckheer, Lagendijk, Lambert, Lannoye, Lipietz, Lucas, MacCormick, McKenna, Maes, Mayol i Raynal, Onesta, Piétrasanta, Rod, de Roo, Rühle, Schörling, Schroedter, Sørensen, Turmes, Voggenhuber, Wuori, Wyn

Against: 278

EDD: Belder, Blokland, Booth, van Dam, Farage, Titford

ELDR: Andreasen, André-Léonard, Attwooll, Busk, Calò, Clegg, Costa Paolo, Davies, De Clercq, Duff, Dybkjær, Fleisch, Formentini, Gasòliba i Böhm, Huhne, Jensen, Ludford, Lynne, Maaten, Malmström, Manders, Martelli, Monsonís Domingo, Mulder, Newton Dunn, Nordmann, Olsson, Paulsen, Pesälä, Pohjamo, Procacci, Ries, Riis-Jørgensen, Rutelli, Schmidt, Sterckx, Sørensen, Thors, Väyrynen, Vallvé, Van Hecke, Vermeer, Virrankoski, Wallis, Watson

NI: Berthu, Beysen, Bonino, Cappato, Della Vedova, Dupuis, Hager, Ilgenfritz, de La Perriere, Paisley, Pannella, Souchet, Turco

PPE-DE: Almeida Garrett, Andria, Arvidsson, Atkins, Averoff, Avilés Perea, Ayuso González, Balfé, Banotti, Bartolozzi, Bastos, Bayona de Perogordo, Beazley, Bébéar, Berend, Bodrato, Böge, von Boetticher, Bourlanges, Bowis, Bradbourn, Bremmer, Brienza, Brok, Brunetta, Bushill-Matthews, Callanan, Camisón Asensio, Cardoso, Cederschiöld, Chichester, Cocilovo, Coelho, Cornillet, Corrie, Costa Raffaele, Cushnahan, Daul, Deprez, Descamps, De Veyrac, Dimitrakopoulos, Dover, Doyle, Ebner, Elles, Fatuzzo, Ferber, Fernández Martín, Ferrer, Fiori, Flemming, Folias, Foster, Fourtou, Friedrich, Gahler, Galeote Quecedo, García-Margallo y Marfil, García-Orcoyen Tormo, Garriga Polledo, Gawronski, Gemelli, Glase, Goepel, Gomolka, Goodwill, Gouveia, Graça Moura, Gröinfeldt Bergman, Grosch, Grossetête, Hannan, Hansenne, Harbour, Hatzidakis, Heaton-Harris, Helmer, Hermange, Hernández Mollar, Herranz García, Hieronymi, Inglewood, Jackson, Jarzembowski, Jeggel, Karas, Kastler, Keppelhoff-Wiechert, Khanbhai, Kirkhope, Klamt, Klaß, Koch, Konrad, Korhola, Kratsa-Tsagaropoulou, Lamassoure, Langen, Laschet, Lechner, Lehne, Liese, Lisi, Lombardo, Maat, McCartin, McMillan-Scott, Mann Thomas, Marini, Marinos, Marques, Martens, Matikainen-Kallström, Mauro, Mayer Hans-Peter, Mayer Xaver, Méndez de Vigo, Menrad, Mombaur, Morillon, Musotto, Naranjo Escobar, Nicholson, Niebler, Nisticò, Oomen-Ruijten, Oreja Arburúa, Pacheco Pereira, Pack, Parish, Pastorelli, Perry, Pex, Pirker, Piscarreta, Podestà, Poettering, Pomés Ruiz, Posselt, Pronk, Provan, Purvis, Quisthoudt-Rowohl, Radwan, Redondo Jiménez, Ripoll y Martínez de Bedoya, Røvsing, Rübig, Sacrédeus, Salafranca Sánchez-Neyra, Santer, Sartori, Scallon, Scapagnini, Schaffner, Schierhuber, Schleicher, Schmitt, Schröder Jürgen, Schwaiger, Smet, Sommer, Stenmarck, Stenzel, Stevenson, Stockton, Sturdy, Sudre, Sumberg, Suominen, Tajani, Tannock, Theato, Thyssen, Trakatellis, Twinn, Valdivielso de Cué, Van Orden, Varela Suanzes-Carpegna, van Velzen, de Veyrinas, Vidal-Quadras Roca, Villiers, Vlasto, Wenzel-Perillo, Wijkman, von Wogau, Wuermeling, Zabell, Zacharakis, Zappalà, Zimmerling, Zissener

PSE: Paasilinna

UEN: Andrews, Berlato, Bigliardo, Camre, Collins, Crowley, Fitzsimons, Hyland, Muscardini, Mussa, Musumeci, Nobilia, Ó Neachtain, Pasqua, Poli Bortone, Queiró, Ribeiro e Castro, Thomas-Mauro, Turchi

Abstention: 20

GUE/NGL: Bordes, Cauquil, Frahm, Laguiller, Schmid Herman, Seppänen, Sjöstedt

NI: Borghezio, Claeys, Dillen, de Gaulle, Gobbo, Gollnisch, Lang, Martinez, Speroni, Stirbois

PSE: Lund, Skinner

UEN: Marchiani

Wednesday 14 January 2004

Herzog report A5-0484/2003**Paragraph 18****For: 489**

EDD: Abitbol, Andersen, Belder, Bernié, Blokland, Bonde, Butel, Coûteaux, van Dam, Esclopé, Kuntz, Mathieu, Saint-Josse, Sandbæk

ELDR: Andreassen, André-Léonard, Attwooll, Busk, Calò, Clegg, Costa Paolo, Davies, De Clercq, Di Pietro, Duff, Dybkjær, Fleisch, Formentini, Gasòliba i Böhm, Huhne, Jensen, Ludford, Lynne, Maaten, Malmström, Manders, Martelli, Monsonís Domingo, Mulder, Newton Dunn, Nordmann, Olsson, Paulsen, Pesälä, Plooi-jvan Gorsel, Pohjamo, Procacci, Ries, Riis-Jørgensen, Rutelli, Sbarbati, Schmidt, Sterckx, Sørensen, Thors, Väyrynen, Vallvé, Van Hecke, Vermeer, Virrankoski, Wallis, Watson

GUE/NGL: Frahm, Schmid Herman, Seppänen, Sjöstedt

NI: Berthu, Beysen, Bonino, Borghezio, Cappato, Claeys, Della Vedova, Dillen, Dupuis, Garaud, de Gaulle, Gobbo, Gollnisch, Hager, Ilgenfritz, Kronberger, Lang, de La Perriere, Martinez, Paisley, Pannella, Souchet, Speroni, Stirbois, Turco

PPE-DE: Almeida Garrett, Andria, Arvidsson, Atkins, Averoff, Avilés Perea, Ayuso González, Balfé, Banotti, Bartolozzi, Bastos, Bayona de Perogordo, Beazley, Bébéar, Berend, Bodrato, Böge, von Boetticher, Bowis, Bradbourn, Bremmer, Brienza, Brok, Brunetta, Bushill-Matthews, Callanan, Camisón Asensio, Cardoso, Cederschiöld, Chichester, Cocilovo, Coelho, Corrie, Cushnahan, Daul, Deprez, Descamps, De Veyrac, Dimitrakopoulos, Dover, Doyle, Ebner, Elles, Fatuzzo, Ferber, Fernández Martín, Ferrer, Fiori, Flemming, Florenz, Folias, Foster, Fourtou, Friedrich, Gahler, Galeote Quecedo, García-Margallo y Marfil, García-Orcoyen Tormo, Garriga Polledo, Gawronski, Gemelli, Glase, Goepel, Gomolka, Gouveia, Graça Moura, Grönfeldt Bergman, Grosch, Grossetête, Hannan, Hansenne, Harbour, Hatzidakis, Heaton-Harris, Helmer, Hermange, Hernández Mollar, Herranz García, Hieronymi, Inglewood, Jackson, Jarzembowski, Jeggle, Karas, Kastler, Keppelhoff-Wiechert, Khanbhai, Kirkhope, Klamt, Klauf, Koch, Konrad, Korhola, Kratsa-Tsagaropoulou, Lamassoure, Langen, Laschet, Lechner, Lehne, Liese, Lisi, Lombardo, Lulling, Maat, McCartin, McMillan-Scott, Mann Thomas, Mantovani, Marini, Marinos, Marques, Martens, Matikainen-Kallström, Mauro, Mayer Hans-Peter, Mayer Xaver, Méndez de Vigo, Menrad, Mombaur, Morillon, Musotto, Naranjo Escobar, Nicholson, Niebler, Nisticò, Oreja Arburúa, Pacheco Pereira, Pack, Parish, Pastorelli, Pérez Álvarez, Perry, Pex, Pirker, Piscarreta, Podestà, Poettering, Posselt, Pronk, Provan, Purvis, Quisthoudt-Rowohl, Radwan, Redondo Jiménez, Ripoll y Martínez de Bedoya, Rovsing, Rübig, Sacrédeus, Salafranca Sánchez-Neyra, Santer, Santini, Sartori, Scallan, Scapagnini, Schaffner, Schierhuber, Schleicher, Schmitt, Schröder Jürgen, Schwaiger, Smet, Sommer, Stenmarck, Stenzel, Stevenson, Stockton, Sturdy, Sudre, Sumberg, Suominen, Tajani, Tannock, Theato, Thyssen, Trakatellis, Twinn, Valdivielso de Cué, Van Orden, Varela Suanzes-Carpegna, van Velzen, de Veyrinas, Vidal-Quadras Roca, Villiers, Wenzel-Perillo, Wijkman, von Wogau, Wuermeling, Zabell, Zacharakis, Zappalà, Zimmerling, Zissener

PSE: Andersson, Aparicio Sánchez, Baltas, Berenguer Fuster, van den Berg, Berger, Bösch, Bowe, Bullmann, Campos, Carlotti, Casaca, Cercas, Ceyhun, Corbett, Corbey, Darras, Dehousse, De Keyser, De Rossa, Désir, Díez González, Dührkop Dührkop, Duhamel, Duin, El Khadraoui, Ettl, Evans Robert J.E., Färm, Fava, Ferreira, Ford, Fruteau, Garot, Gebhardt, Gill, Gillig, Glante, Goebbels, Görlach, Gröner, Guy-Quint, Hänsch, Haug, Hazan, Hedkvist Petersen, Honeyball, Howitt, Hughes, van Hulten, Hume, Iivari, Imbeni, Izquierdo Collado, Izquierdo Rojo, Jöns, Junker, Karamanou, Karlsson, Katiforis, Keßler, Kinnock, Koukiadis, Krehl, Kreissl-Dörfler, Kuckelkorn, Kuhne, Lage, Lalumière, Lange, Lavarra, Leinen, Linkohr, Lund, McAvan, McCarthy, McNally, Malliori, Mann Erika, Marinho, Martin David W., Martin Hans-Peter, Martínez Martínez, Mistorakis, Medina Ortega, Mendiluce Pereiro, Menéndez del Valle, Miguélez Ramos, Miller, Miranda de Lage, Moraes, Morgan, Müller, Murphy, Myller, Napoletano, O'Toole, Paasilinna, Paciotti, Patrie, Piecyk, Pittella, Poignant, Poos, Prets, Rapkay, Read, Rocard, Roth-Behrendt, Rothe, Rothley, Roure, Ruffolo, Sacconi, Sakellariou, Sandberg-Fries, dos Santos, Sauquillo Pérez del Arco, Savary, Scheele, Schmid Gerhard, Schulz, Simpson, Skinner, Soares, Sornosa Martínez, Souladakis, Sousa Pinto, Stihler, Stockmann, Swiebel, Swoboda, Theorin, Thorning-Schmidt, Titley, Torres Marques, Vairinhos, Van Lancker, Volcic, Walter, Watts, Weiler, Whitehead, Wiersma, Wynn, Zorba, Zrihen

UEN: Andrews, Bigliardo, Camre, Collins, Crowley, Fitzsimons, Hyland, Marchiani, Muscardini, Mussa, Musumeci, Nobilia, Ó Neachtain, Pasqua, Poli Bortone, Queiró, Ribeiro e Castro, Segni, Thomas-Mauro, Turchi

Wednesday 14 January 2004

Verts/ALE: Aaltonen, Ahern, Auroi, Bouwman, Breyer, Buitenweg, Celli, Cohn-Bendit, Dhaene, Echerer, Evans Jillian, Ferrández Lezaun, Flautre, Frassoni, Gahrton, Graefe zu Baringdorf, Hudghton, Isler Béguin, Jonckheer, Legendijk, Lambert, Lannoye, Lipietz, Lucas, MacCormick, McKenna, Maes, Mayol i Raynal, Onesta, Piétrasanta, de Roo, Rühle, Schörling, Schroedter, Sörensen, Turmes, Voggenhuber, Wuori, Wyn

Against: 12

EDD: Booth, Farage, Titford

GUE/NGL: Fiebiger, Markov, Meijer, Patakis, Vinci

PPE-DE: Gil-Robles Gil-Delgado, Oomen-Ruijten, Vlasto

PSE: Kindermann

Abstention: 30

GUE/NGL: Ainardi, Bakopoulos, Bergaz Conesa, Bertinotti, Bordes, Boudjenah, Brie, Caudron, Cauquil, Di Lello Finuoli, Figueiredo, Fraisse, Herzog, Jové Peres, Kaufmann, Koulourianos, Krivine, Laguiller, Manisco, Marset Campos, Modrow, Naïr, Puerta, Scarbonchi, Schröder Ilka, Vachetta, Wurtz

NI: Gorostiaga Atxalandabaso

Verts/ALE: Boumediene-Thiery, Rod

Herzog report A5-0484/2003

Amendment 43

For: 251

EDD: Abitbol, Andersen, Bernié, Bonde, Butel, Coûteaux, Esclopé, Kuntz, Mathieu, Saint-Josse, Sandbæk

ELDR: Di Pietro, Procacci, Sbarbati

GUE/NGL: Ainardi, Bakopoulos, Bergaz Conesa, Bertinotti, Boudjenah, Brie, Caudron, Di Lello Finuoli, Fiebiger, Figueiredo, Fraisse, Herzog, Jové Peres, Kaufmann, Koulourianos, Manisco, Markov, Marset Campos, Meijer, Modrow, Naïr, Patakis, Puerta, Scarbonchi, Schröder Ilka, Vinci, Wurtz

NI: Berthu, Gorostiaga Atxalandabaso, Kronberger, de La Perriere, Paisley, Souchet

PPE-DE: Mantovani, Mombaur, Sartori

PSE: Andersson, Aparicio Sánchez, Baltas, Berenguer Fuster, Berès, van den Berg, Berger, Bösch, Bowe, Bullmann, Campos, Carlotti, Casaca, Cercas, Ceyhun, Corbett, Corbey, Darras, Dehousse, De Keyser, De Rossa, Désir, Díez González, Dührkop Dührkop, Duhamel, Duin, El Khadraoui, Ettl, Evans Robert J.E., Färm, Fava, Ferreira, Ford, Fruteau, Garot, Gebhardt, Gill, Gillig, Glante, Goebbels, Görlach, Gröner, Guy-Quint, Hänsch, Haug, Hazan, Hedkvist Petersen, Honeyball, Howitt, Hughes, van Hulten, Hume, Iivari, Imbeni, Izquierdo Collado, Izquierdo Rojo, Jöns, Junker, Karamanou, Karlsson, Katiforis, Keßler, Kindermann, Koukiadis, Krehl, Kreissl-Dörfler, Kuckelkorn, Kuhne, Lage, Lalumière, Lange, Lavarra, Leinen, Linkohr, Lund, McAvan, McCarthy, McNally, Malliori, Mann Erika, Marinho, Martin David W., Martin Hans-Peter, Martínez Martínez, Mastorakis, Medina Ortega, Mendiluce Pereiro, Menéndez del Valle, Miguélez Ramos, Miller, Miranda de Lage, Moraes, Morgan, Müller, Murphy, Myller, Napolitano, O'Toole, Paasilinna, Paciotti, Patrie, Piecyk, Pittella, Poignant, Poos, Prets, Rapkay, Read, Rocard, Roth-Behrendt, Rothe, Rothley, Roure, Ruffolo, Sacconi, Sakellariou, Sandberg-Fries, dos Santos, Sauquillo Pérez del Arco, Savary, Scheele, Schmid Gerhard, Simpson, Skinner, Soares, Sornosa Martínez, Souladakis, Sousa Pinto, Stihler, Stockmann, Swiebel, Swoboda, Theorin, Thorning-Schmidt, Titley, Torres Marques, Vairinhos, Van Lancker, Volcic, Walter, Watts, Weiler, Whitehead, Wiersma, Wynn, Zorba, Zrihen

UEN: Berlato, Bigliardo, Marchiani, Muscardini, Mussa, Musumeci, Nobilia, Pasqua, Poli Bortone, Ribeiro e Castro, Segni, Thomas-Mauro, Turchi

Verts/ALE: Aaltonen, Ahern, Auroi, Boumediene-Thiery, Bouwman, Breyer, Buitenweg, Celli, Cohn-Bendit, Dhaene, Echerer, Evans Jillian, Ferrández Lezaun, Flautre, Frassoni, Gahrton, Graefe zu Baringdorf,

Wednesday 14 January 2004

Hudghton, Isler Béguin, Jonckheer, Lagendijk, Lambert, Lannoye, Lipietz, Lucas, MacCormick, McKenna, Maes, Mayol i Raynal, Onesta, Piétrasanta, Rod, de Roo, Rühle, Schörling, Schroedter, Sørensen, Turmes, Voggenhuber, Wuori, Wyn

Against: 275

EDD: Belder, Blokland, Booth, van Dam, Farage, Titford

ELDR: Andreassen, André-Léonard, Attwooll, Busk, Calò, Clegg, Costa Paolo, Davies, De Clercq, Duff, Dybkjær, Fleisch, Formentini, Gasòliba i Böhm, Huhne, Jensen, Ludford, Lynne, Maaten, Malmström, Manders, Martelli, Monsonís Domingo, Mulder, Newton Dunn, Nordmann, Olsson, Paulsen, Pesälä, Plooijs-van Gorsel, Pohjamo, Ries, Riis-Jørgensen, Rutelli, Schmidt, Sterckx, Sørensen, Thors, Väyrynen, Vallvé, Van Hecke, Vermeer, Virrankoski, Wallis, Watson

GUE/NGL: Bordes, Cauquil, Frahm, Laguiller, Schmid Herman, Seppänen, Sjöstedt

NI: Beysen, Bonino, Cappato, Della Vedova, Dupuis, Hager, Ilgenfritz, Pannella, Turco

PPE-DE: Almeida Garrett, Andria, Arvidsson, Atkins, Averoff, Avilés Perea, Ayuso González, Balfé, Banotti, Bartolozzi, Bastos, Bayona de Perogordo, Beazley, Bébéar, Berend, Bodrato, Böge, von Boetticher, Bourlanges, Bowis, Bradbourn, Bremmer, Brienza, Brok, Brunetta, Bushill-Matthews, Callanan, Camisón Asensio, Cardoso, Cederschiöld, Chichester, Cocilovo, Coelho, Cornillet, Corrie, Costa Raffaele, Cushnahan, Daul, Deprez, Descamps, De Veyrac, Dimitrakopoulos, Dover, Doyle, Ebner, Elles, Fatuzzo, Ferber, Fernández Martín, Ferrer, Ferri, Fiori, Flemming, Florenz, Folias, Foster, Fourtou, Friedrich, Gahler, Galeote Quecedo, García-Margallo y Marfil, García-Orcoyen Tormo, Gargani, Garriga Polledo, Gawronski, Gemelli, Gil-Robles Gil-Delgado, Glase, Goepel, Gomolka, Goodwill, Gouveia, Graça Moura, Grönfeldt Bergman, Grosch, Grossetête, Hannan, Hansenne, Harbour, Hatzidakis, Heaton-Harris, Helmer, Hermange, Hernández Mollar, Herranz García, Hieronymi, Inglewood, Jackson, Jarzembowski, Jeggler, Karas, Kastler, Keppelhoff-Wiechert, Khanbhai, Kirkhope, Klamt, Klauf, Koch, Konrad, Korhola, Kratsa-Tsagaropoulou, Lamassoure, Langen, Laschet, Lechner, Lehne, Liese, Lisi, Lombardo, Lulling, Maat, McCartin, McMillan-Scott, Mann Thomas, Marini, Marinos, Marques, Martens, Matikainen-Kallström, Mauro, Mayer Hans-Peter, Mayer Xaver, Méndez de Vigo, Menrad, Morillon, Musotto, Naranjo Escobar, Nicholson, Niebler, Nisticò, Oomen-Ruijten, Oreja Arburúa, Pacheco Pereira, Pack, Parish, Pastorelli, Pérez Álvarez, Perry, Pex, Pirker, Piscarreta, Podestà, Poettering, Pomés Ruiz, Posselt, Pronk, Provan, Purvis, Quisthoudt-Rowohl, Radwan, Redondo Jiménez, Ripoll y Martínez de Bedoya, Røvsing, Rübig, Sacrédeus, Salafranca Sánchez-Neyra, Santer, Santini, Scallon, Schaffner, Schierhuber, Schleicher, Schmitt, Schröder Jürgen, Schwaiger, Smet, Sommer, Stenmarck, Stenzel, Stevenson, Stockton, Sturdy, Sudre, Sunberg, Suominen, Tajani, Tannock, Theato, Thyssen, Trakatellis, Twinn, Valdivielso de Cué, Van Orden, Varela Suanzes-Carpegna, van Velzen, de Veyrinas, Vidal-Quadras Roca, Villiers, Vlasto, Wenzel-Perillo, Wijkman, von Wogau, Wurmeling, Zabell, Zacharakis, Zappalà, Zimmerling, Zissener

PSE: Kinnock, Schulz

UEN: Andrews, Camre, Collins, Crowley, Fitzsimons, Hyland, Ó Neachtain, Queiró

Abstention: 14

GUE/NGL: Blak, Krivine, Vachetta

NI: Borghezio, Claeys, Dillen, Garaud, de Gaulle, Gobbo, Gollnisch, Lang, Martinez, Speroni, Stirbois

Herzog report A5-0484/2003

Amendment 25

For: 266

EDD: Abitbol, Bernié, Butel, Esclopé, Kuntz, Mathieu, Saint-Josse

ELDR: Attwooll, Di Pietro, Formentini, Nordmann, Olsson, Pesälä, Pohjamo, Procacci, Rutelli, Sbarbati, Thors, Väyrynen, Van Hecke, Virrankoski

Wednesday 14 January 2004

GUE/NGL: Ainardi, Bakopoulos, Bergaz Conesa, Bertinotti, Boudjenah, Brie, Caudron, Di Lello Finuoli, Fiebigler, Figueiredo, Fraisse, Herzog, Jové Peres, Kaufmann, Koulourianos, Manisco, Markov, Marset Campos, Meijer, Modrow, Naïr, Puerta, Scarbonchi, Vinci, Wurtz

NI: Berthu, Gorostiaga Atxalandabaso, Souchet

PPE-DE: Bébéar, Bodrato, Cocilovo, Daul, Descamps, De Veyrac, Ebner, Fourtou, Grossetête, Lamassoure, Marini, Morillon, Santer, Schaffner, Sudre, Thyssen, de Veyrinas, Vlasto

PSE: Andersson, Aparicio Sánchez, Baltas, Berenguer Fuster, Berès, van den Berg, Berger, Bösch, Bowe, Bullmann, Campos, Carlotti, Casaca, Cercas, Ceyhun, Corbett, Corbey, Darras, Dehousse, De Keyser, De Rossa, Désir, Díez González, Dührkop Dührkop, Duhamel, Duin, El Khadraoui, Ettl, Evans Robert J.E., Färm, Fava, Ferreira, Ford, Fruteau, Garot, Gebhardt, Gill, Gillig, Glante, Goebbels, Görlach, Gröner, Guy-Quint, Hänsch, Haug, Hazan, Hedkvist Petersen, Honeyball, Howitt, Hughes, van Hulten, Hume, Iivari, Imbeni, Izquierdo Collado, Izquierdo Rojo, Jöns, Junker, Karamanou, Karlsson, Katiforis, Keßler, Kindermann, Kinnock, Koukiadis, Krehl, Kreissl-Dörfler, Kuckelkorn, Kuhne, Lage, Lalumière, Lange, Lavarra, Leinen, Linkohr, Lund, McAvan, McCarthy, McNally, Malliori, Mann Erika, Marinho, Martin David W., Martin Hans-Peter, Martínez Martínez, Mastorakis, Medina Ortega, Mendiluce Pereiro, Menéndez del Valle, Miguélez Ramos, Miller, Miranda de Lage, Moraes, Morgan, Müller, Murphy, Myller, Napoletano, O'Toole, Paasilinna, Paciotti, Patrie, Piecyk, Pittella, Poignant, Poos, Prets, Rapkay, Read, Rocard, Roth-Behrendt, Rothe, Rothley, Roure, Ruffolo, Sacconi, Sakellariou, Sandberg-Fries, dos Santos, Sauquillo Pérez del Arco, Savary, Scheele, Schmid Gerhard, Schulz, Simpson, Skinner, Soares, Sornosa Martínez, Souladakis, Sousa Pinto, Stihler, Stockmann, Swiebel, Swoboda, Theorin, Thorning-Schmidt, Titley, Torres Marques, Vairinhos, Van Lancker, Volcic, Walter, Watts, Weiler, Whitehead, Wiersma, Wynn, Zorba, Zrihen

UEN: Berlato, Bigliardo, Muscardini, Mussa, Musumeci, Nobilia, Poli Bortone, Segni, Turchi

Verts/ALE: Aaltonen, Ahern, Auroi, Boumediene-Thiery, Bouwman, Breyer, Buitenweg, Celli, Cohn-Bendit, Dhaene, Echerer, Evans Jillian, Ferrández Lezaun, Flautre, Frassoni, Gahrton, Graefe zu Baringdorf, Hudghton, Isler Béguin, Jonckheer, Lagendijk, Lambert, Lannoye, Lipietz, Lucas, MacCormick, McKenna, Maes, Mayol i Raynal, Onesta, Piétrasanta, Rod, de Roo, Rühle, Schörling, Schroedter, Sörensen, Turmes, Vogenhuber, Wuori, Wyn

Against: 253

EDD: Belder, Blokland, Booth, van Dam, Farage, Titford

ELDR: Andreasen, André-Léonard, Busk, Calò, Clegg, Davies, De Clercq, Duff, Dybkjær, Flesch, Gasòliba i Böhm, Huhne, Jensen, Ludford, Lynne, Maaten, Malmström, Manders, Martelli, Monsonís Domingo, Mulder, Newton Dunn, Paulsen, Plooi-j-van Gorsel, Ries, Riis-Jørgensen, Schmidt, Sterckx, Sørensen, Vallvé, Vermeer, Wallis, Watson

GUE/NGL: Bordes, Cauquil, Frahm, Laguiller, Schmid Herman, Seppänen, Sjöstedt

NI: Beysen, Bonino, Borghesio, Cappato, Della Vedova, Dupuis, Gobbo, Hager, Ilgenfritz, Kronberger, de La Perriere, Pannella, Speroni, Turco

PPE-DE: Almeida Garrett, Andria, Arvidsson, Atkins, Averoff, Avilés Perea, Ayuso González, Balfe, Banotti, Bartolozzi, Bastos, Bayona de Perogordo, Beazley, Berend, Böge, von Boetticher, Bourlanges, Bowis, Bradbourn, Bremmer, Brienza, Brok, Brunetta, Bushill-Matthews, Callanan, Camisón Asensio, Cardoso, Cederschiöld, Chichester, Coelho, Cornillet, Corrie, Costa Raffaele, Cushnahan, Deprez, Dimitrakopoulos, Dover, Doyle, Elles, Fatuzzo, Ferber, Fernández Martín, Ferrer, Ferri, Fiori, Flemming, Florenz, Folias, Foster, Friedrich, Gahler, Galeote Quecedo, García-Margallo y Marfil, García-Orcoyen Tormo, Gargani, Garriga Polledo, Gawronski, Gemelli, Gil-Robles Gil-Delgado, Glase, Goepel, Gomolka, Goodwill, Gouveia, Graça Moura, Grönfeldt Bergman, Grosch, Hannan, Hansenne, Harbour, Hatzidakis, Heaton-Harris, Helmer, Hermange, Hernández Mollar, Herranz García, Hieronymi, Inglewood, Jackson, Jarzembowski, Jeggle, Karas, Kastler, Keppelhoff-Wiechert, Khanbhai, Kirkhope, Klamt, Klaß, Koch, Konrad, Korhola, Kratsa-Tsagaropoulou, Langen, Laschet, Lechner, Lehne, Liese, Lisi, Lombardo, Lulling, Maat, McCartin, McMillan-Scott, Mann Thomas, Mantovani, Marinos, Marques, Martens, Matikainen-Kallström, Mauro, Mayer Hans-Peter, Mayer Xaver, Méndez de Vigo, Menrad, Mombaur, Musotto, Naranjo Escobar, Nicholson, Niebler, Nisticò, Oomen-Ruijten, Pacheco Pereira, Pack, Parish, Pastorelli, Pérez Álvarez, Perry, Pex, Pirker, Piscarreta, Podestà, Poettering, Pomés Ruiz, Posselt, Pronk, Provan, Purvis, Quisthoudt-Rowohl,

Wednesday 14 January 2004

Radwan, Redondo Jiménez, Ripoll y Martínez de Bedoya, Rovsing, Rübzig, Sacrédeus, Salafranca Sánchez-Neyra, Santini, Sartori, Scallon, Schierhuber, Schleicher, Schmitt, Schröder Jürgen, Schwaiger, Smet, Sommer, Stenmarck, Stenzel, Stevenson, Stockton, Sturdy, Sumberg, Suominen, Tajani, Tannock, Theato, Trakatellis, Twinn, Valdivielso de Cué, Van Orden, Varela Suanzes-Carpegna, van Velzen, Vidal-Quadras Roca, Villiers, Wenzel-Perillo, Wijkman, von Wogau, Wuermeling, Zabell, Zacharakis, Zappalà, Zimmerling, Zissener

UEN: Andrews, Camre, Collins, Crowley, Fitzsimons, Hyland, Ó Neachtain, Pasqua, Queiró, Ribeiro e Castro, Thomas-Mauro

Abstention: 18

EDD: Andersen, Bonde, Coûteaux, Sandbæk

GUE/NGL: Blak, Krivine, Patakis, Schröder Ilka, Vachetta

NI: Claeys, Dillen, Garaud, de Galle, Gollnisch, Lang, Martinez, Stirbois

UEN: Marchiani

Herzog report A5-0484/2003

Amendment 44

For: 246

EDD: Andersen, Bernié, Bonde, Butel, Coûteaux, Esclopé, Kuntz, Mathieu, Saint-Josse, Sandbæk

ELDR: Costa Paolo, Di Pietro, Formentini, Procacci, Sbarbati, Van Hecke

GUE/NGL: Ainardi, Bakopoulos, Bergaz Conesa, Bertinotti, Boudjenah, Brie, Caudron, Di Lello Finuoli, Fiebiger, Figueiredo, Fraisse, Herzog, Jové Peres, Kaufmann, Koulourianos, Manisco, Markov, Marset Campos, Meijer, Modrow, Naïr, Patakis, Puerta, Scarbonchi, Schröder Ilka, Vinci, Wurtz

NI: Gorostiaga Atxalandabaso, Paisley

PPE-DE: Bodrato, Bourlanges, Cocilovo, Cornillet, Ebner, Marini, Thyssen

PSE: Andersson, Aparicio Sánchez, Baltas, Berenguer Fuster, Berès, van den Berg, Berger, Bösch, Bowe, Bullmann, Carlotti, Casaca, Cercas, Ceyhun, Corbett, Corbey, Darras, De Keyser, De Rossa, Désir, Díez González, Dührkop Dührkop, Duhamel, Duin, El Khadraoui, Ettl, Evans Robert J.E., Färm, Fava, Ferreira, Ford, Fruteau, Garot, Gebhardt, Gill, Gillig, Glante, Goebbels, Görlach, Gröner, Guy-Quint, Haug, Hazan, Hedkvist Petersen, Honeyball, Howitt, Hughes, van Hulst, Hume, Iivari, Imbeni, Izquierdo Collado, Izquierdo Rojo, Jöns, Junker, Karamanou, Karlsson, Katiforis, Keßler, Kindermann, Kinnock, Koukiadis, Krehl, Kreissl-Dörfler, Kuckelkorn, Kuhne, Lage, Lalumière, Lange, Lavarra, Leinen, Linkohr, Lund, McAvan, McCarthy, McNally, Malliori, Mann Erika, Marinho, Martin David W., Martin Hans-Peter, Martínez Martínez, Mastorakis, Medina Ortega, Mendiluce Pereiro, Menéndez del Valle, Miguélez Ramos, Miller, Miranda de Lage, Moraes, Morgan, Müller, Murphy, Myller, Napoletano, O'Toole, Paasilinna, Paciotti, Patrie, Piecyk, Pittella, Poignant, Poos, Prets, Rapkay, Read, Rocard, Roth-Behrendt, Rothe, Rothley, Roure, Ruffolo, Sacconi, Sakellariou, Sandberg-Fries, dos Santos, Sauquillo Pérez del Arco, Savary, Scheele, Schmid Gerhard, Schulz, Simpson, Skinner, Soares, Sornosa Martínez, Souladakis, Sousa Pinto, Stihler, Stockmann, Swiebel, Swoboda, Theorin, Thorning-Schmidt, Titley, Torres Marques, Vairinhos, Van Lancker, Volcic, Walter, Watts, Weiler, Whitehead, Wiersma, Wynn, Zorba, Zrihen

UEN: Berlato, Bigliardo, Muscardini, Mussa, Musumeci, Nobilia, Segni, Thomas-Mauro, Turchi

Verts/ALE: Aaltonen, Ahern, Auroi, Boumediene-Thiery, Bouwman, Breyer, Buitenweg, Celli, Cohn-Bendit, Dhaene, Echerer, Evans Jillian, Ferrández Lezaun, Flautre, Gahrton, Graefe zu Baringdorf, Hudghton, Isler Béguin, Jonckheer, Lagendijk, Lambert, Lannoye, Lucas, MacCormick, McKenna, Maes, Mayol i Raynal, Onesta, Piétrasanta, Rod, de Roo, Rühle, Schörling, Schroedter, Sörensen, Turmes, Voggenhuber, Wuori, Wyn

Wednesday 14 January 2004

Against: 266

EDD: Belder, Blokland, Booth, van Dam, Farage, Titford

ELDR: Andreasen, André-Léonard, Busk, Clegg, De Clercq, Duff, Dybkjær, Flesch, Gasòliba i Böhm, Huhne, Jensen, Ludford, Lynne, Maaten, Malmström, Manders, Martelli, Monsonís Domingo, Mulder, Newton Dunn, Nordmann, Olsson, Paulsen, Pesälä, Plooij-van Gorsel, Pohjamo, Ries, Riis-Jørgensen, Rutelli, Schmidt, Sterckx, Sørensen, Thors, Väyrynen, Vallvé, Vermeer, Virrankoski, Wallis, Watson

GUE/NGL: Frahm, Schmid Herman, Seppänen, Sjöstedt

NI: Berthu, Beysen, Bonino, Cappato, Della Vedova, Dupuis, Hager, Ilgenfritz, de La Perriere, Pannella, Souchet, Turco

PPE-DE: Almeida Garrett, Andria, Arvidsson, Atkins, Averoff, Avilés Perea, Ayuso González, Balfé, Banotti, Bartolozzi, Bastos, Bayona de Perogordo, Beazley, Bébéar, Berend, Böge, von Boetticher, Bowis, Bradbourn, Bremmer, Brienza, Brok, Brunetta, Bushill-Matthews, Callanan, Camisón Asensio, Cardoso, Cederschiöld, Chichester, Coelho, Corrie, Costa Raffaele, Cushnahan, Daul, Deprez, Descamps, De Veyrac, Dimitrakopoulos, Dover, Doyle, Elles, Fatuzzo, Ferber, Fernández Martín, Ferrer, Ferri, Fiori, Flemming, Florenz, Folias, Foster, Fourtou, Friedrich, Gahler, Galeote Quecedo, García-Margallo y Marfil, García-Orcoyen Tormo, Gargani, Garriga Polledo, Gawronski, Gemelli, Gil-Robles Gil-Delgado, Glase, Goepel, Gomolka, Goodwill, Gouveia, Graça Moura, Grönfeldt Bergman, Grosch, Grossetête, Hannan, Hansenne, Harbour, Hatzidakis, Heaton-Harris, Helmer, Hermange, Hernández Mollar, Herranz García, Hieronymi, Inglewood, Jackson, Jarzembowski, Jeggle, Karas, Kastler, Keppelhoff-Wiechert, Khanbhai, Kirkhope, Klamt, Klaß, Koch, Konrad, Korhola, Kratsa-Tsagaropoulou, Lamassoure, Langen, Laschet, Lechner, Lehne, Liese, Lisi, Lombardo, Lulling, McCartin, McMillan-Scott, Mann Thomas, Mantovani, Marinos, Marques, Martens, Matikainen-Kallström, Mauro, Mayer Hans-Peter, Mayer Xaver, Méndez de Vigo, Menrad, Mombaur, Morillon, Musotto, Naranjo Escobar, Nicholson, Niebler, Nisticò, Oomen-Ruijten, Oreja Arburúa, Pacheco Pereira, Pack, Parish, Pastorelli, Pérez Álvarez, Perry, Pex, Pirker, Piscarreta, Podestà, Poettering, Pomés Ruiz, Posselt, Pronk, Provan, Purvis, Quisthoudt-Rowohl, Radwan, Redondo Jiménez, Ripoll y Martínez de Bedoya, Røvsing, Rübig, Sacrédeus, Salafraña Sánchez-Neyra, Santer, Santini, Sartori, Scallon, Schaffner, Schierhuber, Schleicher, Schmitt, Schröder Jürgen, Schwaiger, Smet, Sommer, Stenmarck, Stenzel, Stevenson, Stockton, Sturdy, Sudre, Sumberg, Suominen, Tajani, Tannock, Theato, Trakatellis, Twinn, Valdivielso de Cué, Van Orden, Varela Suanzes-Carpegna, van Velzen, de Veyrinas, Vidal-Quadras Roca, Villiers, Vlasto, Wenzel-Perillo, Wijkman, von Wogau, Wuermeling, Zabell, Zacharakis, Zappalà, Zimmerling, Zissener

PSE: Dehousse

UEN: Andrews, Camre, Collins, Crowley, Fitzsimons, Hyland, Ó Neachtain, Pasqua, Poli Bortone, Queiró, Ribeiro e Castro

Abstention: 20

GUE/NGL: Blak, Bordes, Cauquil, Krivine, Laguiller, Vachetta

NI: Borghezio, Claeys, Dillen, Garaud, de Gaulle, Gobbo, Gollnisch, Kronberger, Lang, Martinez, Speroni, Stirbois

PPE-DE: Maat

UEN: Marchiani

Herzog report A5-0484/2003

Amendment 26

For: 266

EDD: Abitbol, Bernié, Butel, Esclopé, Kuntz, Mathieu, Saint-Josse

ELDR: Attwooll, Costa Paolo, Di Pietro, Formentini, Nordmann, Procacci, Sbarbati, Van Hecke

Wednesday 14 January 2004

GUE/NGL: Ainardi, Bakopoulos, Bergaz Conesa, Bertinotti, Boudjenah, Brie, Caudron, Di Lello Finuoli, Fiebiger, Figueiredo, Fraisse, Herzog, Jové Peres, Kaufmann, Koulourianos, Krivine, Manisco, Markov, Marset Campos, Meijer, Modrow, Nair, Patakis, Puerta, Scarbonchi, Vachetta, Vinci, Wurtz

NI: Garaud, Gorostiaga Atxalandabaso

PPE-DE: Almeida Garrett, Bébéar, Bodrato, Bourlanges, Cocilovo, Cornillet, Daul, De Veyrac, Ebner, Florenz, Fourtou, Grosch, Grossetête, Hansenne, Hermange, Lamassoure, Maat, Marini, Morillon, Oomen-Ruijten, Pex, Pronk, Santer, Schaffner, Smet, Sudre, Thyssen, van Velzen, de Veyrinas, Vlasto, Wijkman

PSE: Andersson, Aparicio Sánchez, Baltas, Berenguer Fuster, Berès, van den Berg, Berger, Bösch, Bowe, Bullmann, Campos, Carlotti, Casaca, Cercas, Ceyhun, Corbett, Corbey, Darras, Dehousse, De Keyser, De Rossa, Désir, Díez González, Dührkop Dührkop, Duhamel, Duin, El Khadraoui, Ettl, Evans Robert J.E., Färm, Fava, Ferreira, Ford, Fruteau, Garot, Gebhardt, Gill, Gillig, Glante, Goebbels, Görlach, Gröner, Guy-Quint, Hänsch, Haug, Hazan, Hedkvist Petersen, Honeyball, Howitt, Hughes, van Hulten, Hume, Iivari, Imbeni, Izquierdo Collado, Izquierdo Rojo, Jöns, Junker, Karamanou, Karlsson, Katiforis, Kefler, Kindermann, Kinnock, Koukiadis, Krehl, Kreissl-Dörfler, Kuckelkorn, Kuhne, Lage, Lalumière, Lange, Lavarra, Leinen, Linkohr, Lund, McAvan, McCarthy, McNally, Malliori, Mann Erika, Marinho, Martin David W., Martin Hans-Peter, Martínez Martínez, Mastorakis, Medina Ortega, Mendiluce Pereiro, Menéndez del Valle, Miguélez Ramos, Miller, Miranda de Lage, Moraes, Morgan, Müller, Murphy, Myller, Napoletano, O'Toole, Paasilinna, Paciotti, Patrie, Piecyk, Pittella, Poignant, Poos, Prets, Rapkay, Read, Rocard, Roth-Behrendt, Rothe, Rothley, Roure, Ruffolo, Sacconi, Sakellariou, Sandberg-Fries, dos Santos, Sauquillo Pérez del Arco, Savary, Scheele, Schulz, Simpson, Skinner, Soares, Sornosa Martínez, Souladakis, Sousa Pinto, Stihler, Stockmann, Swiebel, Swoboda, Theorin, Thorning-Schmidt, Titley, Torres Marques, Vairinhos, Van Lancker, Volcic, Walter, Watts, Weiler, Whitehead, Wiersma, Wynn, Zorba, Zrihen

UEN: Berlato

Verts/ALE: Aaltonen, Ahern, Auroi, Boumediene-Thiery, Bouwman, Breyer, Buitenweg, Celli, Cohn-Bendit, Dhaene, Echerer, Evans Jillian, Ferrández Lezaun, Flautre, Frassoni, Gahrton, Graefe zu Baringdorf, Hudghton, Isler Béguin, Jonckheer, Lagendijk, Lambert, Lannoye, Lipietz, Lucas, MacCormick, McKenna, Maes, Mayol i Raynal, Onesta, Piétrasanta, Rod, de Roo, Rühle, Schörling, Schroedter, Sörensen, Turmes, Voggelhuber, Wuori, Wyn

Against: 255

EDD: Belder, Blokland, Booth, van Dam, Farage, Titford

ELDR: Andreasen, André-Léonard, Busk, Calò, Clegg, Davies, De Clercq, Duff, Dybkjær, Flesch, Gasòliba i Böhm, Huhne, Jensen, Ludford, Lynne, Maaten, Malmström, Manders, Martelli, Monsonís Domingo, Mulder, Newton Dunn, Olsson, Paulsen, Pesälä, Plooij-van Gorsel, Pohjamo, Ries, Riis-Jørgensen, Rutelli, Schmidt, Sterckx, Sørensen, Thors, Väyrynen, Vallvé, Vermeer, Virrankoski, Wallis, Watson

GUE/NGL: Frahm, Schmid Herman, Seppänen, Sjöstedt

NI: Berthu, Beysen, Bonino, Borghezio, Cappato, Della Vedova, Dupuis, Gobbo, Hager, Ilgenfritz, Kronberger, de La Perriere, Paisley, Pannella, Souchet, Speroni, Turco

PPE-DE: Andria, Arvidsson, Atkins, Averoff, Avilés Perea, Ayuso González, Balfe, Banotti, Bartolozzi, Bastos, Bayona de Perogordo, Beazley, Berend, Böge, von Boetticher, Bowis, Bradbourn, Bremmer, Brienza, Brok, Brunetta, Bushill-Matthews, Callanan, Camisón Asensio, Cardoso, Cederschiöld, Chichester, Coelho, Corrie, Costa Raffaele, Cushnahan, Deprez, Descamps, Dimitrakopoulos, Dover, Doyle, Elles, Fatuzzo, Ferber, Fernández Martín, Ferrer, Ferri, Fiori, Flemming, Folias, Foster, Friedrich, Gahler, Galeote Quecedo, García-Margallo y Marfil, García-Orcoyen Tormo, Gargani, Garriga Polledo, Gawronski, Gemelli, Gil-Robles Gil-Delgado, Glase, Goepel, Gomolka, Goodwill, Gouveia, Graça Moura, Grönfeldt Bergman, Hannan, Harbour, Hatzidakis, Heaton-Harris, Helmer, Hernández Mollar, Herranz García, Hieronymi, Inglewood, Jackson, Jarzembowski, Jeggle, Karas, Kastler, Keppelhoff-Wiechert, Khanbhai, Kirkhope, Klamt, Klaß, Koch, Konrad, Korhola, Kratsa-Tsagaropoulou, Langen, Laschet, Lechner, Lehne, Liese, Lisi, Lombardo, Lulling, McCartin, McMillan-Scott, Mann Thomas, Mantovani, Marinos, Marques, Martens, Matikainen-Kallström, Mauro, Mayer Hans-Peter, Mayer Xaver, Méndez de Vigo, Menrad, Mombaur, Musotto, Naranjo Escobar, Nicholson, Niebler, Nisticò, Oreja Arburúa, Pacheco Pereira, Pack, Parish, Pastorelli, Pérez Álvarez, Perry, Pirker, Piscarreta, Podestà, Poettering, Pomés Ruiz, Posselt, Provan, Purvis, Quisthoudt-Rowohl, Radwan, Ripoll y Martínez de Bedoya, Røvsing, Rübig, Sacrédeus, Salafranca Sánchez-Neyra, Santini, Sartori, Scallon, Schierhuber, Schleicher, Schmitt, Schröder Jürgen, Schwaiger, Sommer,

Wednesday 14 January 2004

Stenmarck, Stenzel, Stevenson, Stockton, Sturdy, Sumberg, Suominen, Tajani, Tannock, Theato, Trakatellis, Twinn, Valdivielso de Cué, Van Orden, Varela Suanzes-Carpegna, Vidal-Quadras Roca, Villiers, Wenzel-Perillo, von Wogau, Wuermeling, Zabell, Zacharakis, Zappalà, Zimmerling, Zissener

UEN: Bigliardo, Camre, Collins, Crowley, Fitzsimons, Hyland, Marchiani, Muscardini, Mussa, Musumeci, Nobilia, Ó Neachtain, Pasqua, Poli Bortone, Queiró, Ribeiro e Castro, Segni, Thomas-Mauro, Turchi

Abstention: 16

EDD: Andersen, Bonde, Coûteaux, Sandbæk

GUE/NGL: Blak, Bordes, Cauquil, Laguiller, Schröder Ilka

NI: Claeys, Dillen, de Gaulle, Gollnisch, Lang, Martinez, Stirbois

Herzog report A5-0484/2003

Amendment 78

For: 138

EDD: Abitbol, Andersen, Bernié, Bonde, Butel, Esclopé, Kuntz, Mathieu, Saint-Josse, Sandbæk

ELDR: Di Pietro, Olsson, Pohjamo, Thors, Virrankoski

GUE/NGL: Ainardi, Alavanos, Bakopoulos, Bergaz Conesa, Boudjenah, Brie, Caudron, Di Lello Finuoli, Fiebiger, Figueiredo, Frahm, Fraisse, Herzog, Jové Peres, Kaufmann, Koulourianos, Manisco, Markov, Marset Campos, Meijer, Modrow, Nair, Puerta, Scarbonchi, Schmid Herman, Seppänen, Sjöstedt, Wurtz

NI: Berthu, Borghezio, Claeys, Dillen, Garaud, de Gaulle, Gobbo, Gollnisch, Gorostiaga Atxalandabaso, Lang, Martinez, Souchet, Speroni, Stirbois

PSE: Aparicio Sánchez, Berès, Berger, Bösch, Campos, Carlotti, Ceyhun, Darras, Dehousse, De Keyser, Désir, Duhamel, El Khadraoui, Ettl, Fava, Ferreira, Fruteau, Garot, Gillig, Glante, Guy-Quint, Hazan, Lalumière, Marinho, Martin Hans-Peter, Mendiluce Pereiro, Patrie, Piecyk, Poignant, Prets, Rocard, Rothe, Roure, Savary, Scheele, Swoboda, Vairinhos, Van Lancker, Zrihen

UEN: Thomas-Mauro

Verts/ALE: Aaltonen, Ahern, Auroi, Boumediene-Thiery, Bouwman, Breyer, Buitenweg, Celli, Cohn-Bendit, Dhaene, Echerer, Evans Jillian, Ferrández Lezaun, Flautre, Frassoni, Gahrton, Graefe zu Baringdorf, Hudghton, Isler Béguin, Jonckheer, Lagendijk, Lambert, Lannoye, Lipietz, Lucas, MacCormick, McKenna, Maes, Mayol i Raynal, Onesta, Piétrasanta, Rod, de Roo, Rühle, Schörling, Schroedter, Sørensen, Turmes, Voggenhuber, Wuori, Wyn

Against: 389

EDD: Belder, Blokland, Booth, van Dam, Farage, Titford

ELDR: Andreasen, André-Léonard, Attwooll, Busk, Calò, Clegg, Costa Paolo, Davies, De Clercq, Duff, Dybkjær, Flesch, Formentini, Gasòliba i Böhm, Huhne, Jensen, Ludford, Lynne, Maaten, Malmström, Manders, Martelli, Monsonís Domingo, Mulder, Newton Dunn, Nordmann, Paulsen, Pesälä, Plooi-j-van Gorsel, Procacci, Ries, Riis-Jørgensen, Rutelli, Sbarbati, Schmidt, Sterckx, Sørensen, Väyrynen, Vallvé, Van Hecke, Vermeer, Wallis, Watson

GUE/NGL: Blak

NI: Beysen, Bonino, Cappato, Della Vedova, Dupuis, Hager, Ilgenfritz, Kronberger, de La Perriere, Paisley, Pannella, Turco

PPE-DE: Almeida Garrett, Arvidsson, Atkins, Averoff, Avilés Perea, Ayuso González, Balfe, Banotti, Bartolozzi, Bastos, Bayona de Perogordo, Beazley, Bébéar, Berend, Bodrato, Böge, von Boetticher, Bourlanges, Bowis, Bradbourn, Bremmer, Brienza, Brok, Brunetta, Bushill-Matthews, Callanan, Camisón Asensio, Cardoso, Cederschiöld, Chichester, Cocilovo, Coelho, Corrie, Costa Raffaele, Cushnahan, Daul, Deprez, Descamps, De Veyrac, Dimitrakopoulos, Dover, Doyle, Ebner, Elles, Fatuzzo, Ferber, Fernández

Wednesday 14 January 2004

Martín, Ferrer, Ferri, Fiori, Flemming, Florenz, Folias, Foster, Fourtou, Friedrich, Gahler, Galeote Quecedo, García-Margallo y Marfil, García-Orcoyen Tormo, Gargani, Garriga Polledo, Gawronski, Gemelli, Gil-Robles Gil-Delgado, Glase, Goepel, Gomolka, Goodwill, Gouveia, Graça Moura, Grönfeldt Bergman, Grosch, Grossetête, Hannan, Hansenne, Harbour, Hatzidakis, Heaton-Harris, Helmer, Hermange, Hernández Mollar, Herranz García, Hieronymi, Inglewood, Jackson, Jarzembowski, Jeggler, Karas, Kastler, Keppelhoff-Wiechert, Khanbhai, Kirkhope, Klamt, Klaß, Koch, Konrad, Korhola, Kratsa-Tsagaropoulou, Lamassoure, Langen, Laschet, Lechner, Lehne, Liese, Lisi, Lombardo, Lulling, Maat, McCartin, McMillan-Scott, Mann Thomas, Mantovani, Marini, Marinos, Marques, Martens, Matikainen-Kallström, Mauro, Mayer Hans-Peter, Mayer Xaver, Méndez de Vigo, Menrad, Mombaur, Morillon, Musotto, Naranjo Escobar, Nicholson, Niebler, Nisticò, Oomen-Ruijten, Oreja Arburúa, Pacheco Pereira, Pack, Parish, Pastorelli, Pérez Álvarez, Perry, Pex, Pirker, Píscarreta, Podestà, Poettering, Posselt, Pronk, Provan, Purvis, Quisthoudt-Rowohl, Radwan, Redondo Jiménez, Ripoll y Martínez de Bedoya, Rovsing, Rübiger, Sacrédeus, Salafranca Sánchez-Neyra, Santer, Santini, Sartori, Scallon, Schaffner, Schierhuber, Schleicher, Schmitt, Schröder Jürgen, Schwaiger, Smet, Sommer, Stenmarck, Stenzel, Stevenson, Stockton, Sturdy, Sudre, Sumberg, Suominen, Tajani, Tannock, Theato, Thyssen, Trakatellis, Twinn, Valdivielso de Cué, Van Orden, Varela Suanzes-Carpegna, van Velzen, de Veyrinas, Vidal-Quadras Roca, Villiers, Vlasto, Wenzel-Perillo, Wijkman, von Wogau, Wuermeling, Zabell, Zacharakis, Zappalà, Zimmerling, Zissener

PSE: Andersson, Baltas, Berenguer Fuster, van den Berg, Bowe, Bullmann, Casaca, Cercas, Corbett, Corbey, De Rossa, Díez González, Dührkop Dührkop, Duin, Evans Robert J.E., Färm, Ford, Gebhardt, Gill, Goebbels, Görlach, Gröner, Hänsch, Haug, Hedkvist Petersen, Honeyball, Howitt, Hughes, van Hulst, Hume, Iivari, Imbeni, Izquierdo Collado, Izquierdo Rojo, Jöns, Junker, Karamanou, Karlsson, Katiforis, Keßler, Kindermann, Kinnock, Koukiadis, Krehl, Kreissl-Dörfler, Kuckelkorn, Kuhne, Lage, Lange, Lavarra, Leinen, Linkohr, McAvan, McCarthy, McNally, Malliori, Mann Erika, Martin David W., Martínez Martínez, Mastorakis, Medina Ortega, Menéndez del Valle, Miguélez Ramos, Miller, Miranda de Lage, Moraes, Morgan, Müller, Murphy, Myller, Napolitano, O'Toole, Paasilinna, Paciotti, Pittella, Poos, Rapkay, Read, Roth-Behrendt, Rothley, Ruffolo, Sacconi, Sakellariou, Sandberg-Fries, dos Santos, Sauquillo Pérez del Arco, Schmid Gerhard, Schulz, Simpson, Skinner, Soares, Sornosa Martínez, Souladakis, Sousa Pinto, Stihler, Stockmann, Swiebel, Theorin, Thorning-Schmidt, Titley, Torres Marques, Volcic, Walter, Watts, Weiler, Whitehead, Wiersma, Wynn, Zorba

UEN: Andrews, Berlato, Bigliardo, Camre, Collins, Crowley, Fitzsimons, Hyland, Marchiani, Muscardini, Mussa, Musumeci, Nobilia, Ó Neachtain, Pasqua, Poli Bortone, Queiró, Ribeiro e Castro, Segni, Turchi

Abstention: 8

GUE/NGL: Bordes, Cauquil, Krivine, Laguiller, Patakis, Schröder Ilka, Vachetta

PPE-DE: Andria

Herzog report A5-0484/2003

Amendment 45, 1st part

For: 448

EDD: Abitbol, Andersen, Belder, Blokland, Bonde, van Dam, Kuntz, Sandbæk

ELDR: Attwooll, Di Pietro, Nordmann, Sbarbati, Van Hecke

GUE/NGL: Ainardi, Alavanos, Bakopoulos, Bergaz Conesa, Bordes, Boudjenah, Brie, Caudron, Cauquil, Di Lello Finuoli, Fiebiger, Figueiredo, Frahm, Fraisse, Herzog, Jové Peres, Kaufmann, Koulourianos, Krivine, Laguiller, Manisco, Markov, Marset Campos, Meijer, Modrow, Nair, Patakis, Puerta, Scarbonchi, Schmid Herman, Schröder Ilka, Seppänen, Sjöstedt, Vachetta, Wurtz

NI: Beysen, Borghezio, Gobbo, Gorostiaga Atxalandabaso, Ilgenfritz, Kronberger, de La Perriere, Speroni

PPE-DE: Almeida Garrett, Andria, Arvidsson, Atkins, Averoff, Avilés Perea, Ayuso González, Balfé, Banotti, Bartolozzi, Bastos, Bayona de Perogordo, Beazley, Bébear, Berend, Bodrato, Böge, von Boetticher, Bourlanges, Bowis, Bradbourn, Bremmer, Brienza, Brunetta, Bushill-Matthews, Camisón Asensio, Cardoso, Cederschiöld, Chichester, Cocolovo, Coelho, Corrie, Costa Raffaele, Cushnahan, Deprez, Descamps, De Veyrac, Dimitrakopoulos, Dover, Doyle, Ebner, Elles, Fatuzzo, Ferber, Fernández Martín, Ferrer, Ferri, Fiori, Florenz, Folias, Foster, Fourtou, Friedrich, Gahler, Galeote Quecedo, García-Margallo y Marfil, Gargani, Garriga Polledo, Gawronski, Gemelli, Gil-Robles Gil-Delgado, Glase, Goepel, Gomolka, Goodwill, Gouveia, Graça Moura, Grönfeldt Bergman, Grosch, Grossetête, Hannan, Hansenne, Harbour, Hatzidakis,

Wednesday 14 January 2004

Heaton-Harris, Helmer, Hermange, Hernández Mollar, Herranz García, Hieronymi, Inglewood, Jackson, Jarzembowski, Jeggler, Karas, Kastler, Keppelhoff-Wiechert, Khanbhai, Kirkhope, Klamt, Klaß, Koch, Konrad, Korhola, Lamassoure, Langen, Laschet, Lechner, Lehne, Liese, Lisi, Lombardo, Lulling, Maat, McCartin, McMillan-Scott, Mann Thomas, Mantovani, Marini, Marinos, Marques, Martens, Matikainen-Kallström, Mayer Hans-Peter, Mayer Xaver, Méndez de Vigo, Menrad, Mombaur, Morillon, Naranjo Escobar, Nicholson, Niebler, Nisticò, Oomen-Ruijten, Oreja Arburúa, Pacheco Pereira, Pack, Parish, Pastorelli, Pérez Álvarez, Perry, Pex, Pirker, Piscarreta, Podestà, Poettering, Posselt, Pronk, Provan, Purvis, Quisthoudt-Rowohl, Radwan, Redondo Jiménez, Ripoll y Martínez de Bedoya, Roving, Rübig, Sacrédeus, Salafranca Sánchez-Neyra, Santer, Santini, Sartori, Scallan, Schaffner, Schierhuber, Schleicher, Schmitt, Schröder Jürgen, Schwaiger, Smet, Sommer, Stenmarck, Stenzel, Stevenson, Sturdy, Sudre, Sumberg, Suominen, Tajani, Tannock, Theato, Thyssen, Trakatellis, Twinn, Valdivielso de Cué, Van Orden, Varela Suanzes-Carpegna, van Velzen, de Veyrinas, Vidal-Quadras Roca, Villiers, Vlasto, Wenzel-Perillo, Wijkman, von Wogau, Wuermeling, Zabell, Zacharakis, Zappalà, Zimmerling, Zissener

PSE: Andersson, Aparicio Sánchez, Baltas, Berenguer Fuster, Berès, van den Berg, Berger, Bösch, Bowe, Bullmann, Campos, Carlotti, Casaca, Cercas, Ceyhun, Corbett, Corbey, Darras, Dehousse, De Keyser, De Rossa, Désir, Díez González, Dührkop Dührkop, Duhamel, Duin, El Khadraoui, Ettl, Evans Robert J.E., Färm, Fava, Ferreira, Ford, Fruteau, Garot, Gebhardt, Gill, Gillig, Glante, Goebbels, Görlach, Gröner, Guy-Quint, Hänsch, Haug, Hazan, Hedkvist Petersen, Honeyball, Howitt, Hughes, van Hulten, Hume, Iivari, Imbeni, Izquierdo Collado, Izquierdo Rojo, Jöns, Junker, Karamanou, Karlsson, Katiforis, Keßler, Kindermann, Kinnoek, Koukiadis, Krehl, Kreissl-Dörfler, Kuckelkorn, Kuhne, Lage, Lalumière, Lange, Lavarra, Leinen, Linkohr, Lund, McAvan, McCarthy, McNally, Malliori, Mann Erika, Marinho, Martin David W., Martin Hans-Peter, Martínez Martínez, Mastorakis, Medina Ortega, Mendiluce Pereiro, Menéndez del Valle, Miguélez Ramos, Miller, Miranda de Lage, Moraes, Morgan, Müller, Murphy, Myller, Napoletano, O'Toole, Paasilinna, Paciotti, Patrie, Piecyk, Pittella, Poignant, Poos, Prets, Rapkay, Read, Rocard, Roth-Behrendt, Rothe, Rothley, Roure, Ruffolo, Sacconi, Sakellariou, Sandberg-Fries, dos Santos, Sauquillo Pérez del Arco, Savary, Scheele, Schmid Gerhard, Schulz, Simpson, Soares, Sornosa Martínez, Souladakis, Sousa Pinto, Stihler, Stockmann, Swiebel, Swoboda, Theorin, Thorning-Schmidt, Titley, Torres Marques, Vairinhos, Van Lancker, Volcic, Walter, Watts, Weiler, Whitehead, Wiersma, Wynn, Zorba, Zrihen

UEN: Berlato, Camre, Marchiani, Muscardini, Mussa, Musumeci, Nobilia, Pasqua, Poli Bortone, Ribeiro e Castro, Segni, Thomas-Mauro, Turchi

Verts/ALE: Aaltonen, Ahern, Auroi, Boumediene-Thiery, Bouwman, Breyer, Buitenweg, Celli, Cohn-Bendit, Dhaene, Echerer, Evans Jillian, Ferrández Lezaun, Flautre, Frassoni, Gahrton, Graefe zu Baringdorf, Hudghton, Isler Béguin, Jonckheer, Lagendijk, Lambert, Lannoye, Lipietz, Lucas, MacCormick, McKenna, Maes, Mayol i Raynal, Onesta, Piétrasanta, Rod, de Roo, Rühle, Schörling, Schroedter, Sörensen, Turmes, Voggelhuber, Wuori, Wyn

Against: 75

EDD: Bernié, Booth, Butel, Esclopé, Farage, Mathieu, Saint-Josse, Titford

ELDR: Andreasen, André-Léonard, Busk, Calò, Clegg, Costa Paolo, Davies, De Clercq, Duff, Dybkjær, Flesch, Formentini, Gasòliba i Böhm, Huhne, Jensen, Ludford, Lynne, Maaten, Malmström, Manders, Martelli, Monsonís Domingo, Mulder, Newton Dunn, Olsson, Paulsen, Pesälä, Plooij-van Gorsel, Pohjamo, Procacci, Ries, Riis-Jørgensen, Rutelli, Schmidt, Sterckx, Sørensen, Thors, Väyrynen, Vallvé, Vermeer, Virrankoski, Wallis, Watson

NI: Berthu, Bonino, Cappato, Della Vedova, Dupuis, Hager, Pannella, Souchet, Turco

PPE-DE: Cornillet, Daul, García-Orcoyen Tormo, Kratsa-Tsagaropoulou, Mauro, Musotto, Stockton

UEN: Andrews, Bigliardo, Collins, Crowley, Fitzsimons, Hyland, Ó Neachtain, Queiró

Abstention: 11

EDD: Coûteaux

GUE/NGL: Blak

NI: Claeys, Dillen, Garaud, de Gaulle, Gollnisch, Lang, Martinez, Stirbois

PSE: Skinner

Wednesday 14 January 2004

Herzog report A5-0484/2003**Amendment 45, 2nd part****For: 457****EDD:** Abitbol, Andersen, Belder, Blokland, Bonde, van Dam, Kuntz, Sandbæk**ELDR:** Attwooll, Di Pietro, Nordmann, Sbarbati, Van Hecke**GUE/NGL:** Ainardi, Alavanos, Bakopoulos, Bergaz Conesa, Bordes, Boudjenah, Brie, Caudron, Cauquil, Di Lello Finuoli, Fiebiger, Figueiredo, Frahm, Fraisse, Herzog, Jové Peres, Kaufmann, Krivine, Laguiller, Manisco, Markov, Marset Campos, Meijer, Modrow, Naïr, Patakis, Puerta, Scarbonchi, Schmid Herman, Schröder Ilka, Seppänen, Sjøstedt, Vachetta, Wurtz**NI:** Borghezio, Claeys, Dillen, Garaud, de Gaulle, Gobbo, Gollnisch, Gorostiaga Atxalandabaso, Ilgenfritz, Kronberger, Lang, de La Perriere, Martinez, Paisley, Speroni, Stirbois**PPE-DE:** Almeida Garrett, Andria, Arvidsson, Atkins, Averoff, Avilés Perea, Ayuso González, Balfé, Banotti, Bartolozzi, Bastos, Bayona de Perogordo, Beazley, Bébéar, Berend, Bodrato, Böge, von Boetticher, Bourlanges, Bowis, Bradbourn, Bremmer, Brienza, Brok, Brunetta, Bushill-Matthews, Callanan, Camisón Asensio, Cardoso, Cederschiöld, Chichester, Cocilovo, Coelho, Cornillet, Corrie, Costa Raffaele, Cushnahan, Daul, Deprez, Descamps, De Veyrac, Dimitrakopoulos, Dover, Doyle, Ebner, Elles, Fatuzzo, Ferber, Fernández Martín, Ferrer, Ferri, Fiori, Flemming, Florenz, Folias, Foster, Fourtou, Friedrich, Gahler, Galeote Quecedo, García-Margallo y Marfil, García-Orcoyen Tormo, Gargani, Garriga Polledo, Gawronski, Gemelli, Gil-Robles Gil-Delgado, Glase, Goepel, Gomolka, Goodwill, Gouveia, Graça Moura, Grosch, Grossetête, Hannan, Hansenne, Harbour, Hatzidakis, Heaton-Harris, Helmer, Hermange, Hernández Mollar, Herranz García, Hieronymi, Inglewood, Jackson, Jarzembowski, Jeggle, Karas, Kastler, Keppelhoff-Wiechert, Khanbhai, Kirkhope, Klamt, Klab, Koch, Konrad, Korhola, Kratsa-Tsagaropoulou, Lamassoure, Langen, Laschet, Lechner, Lehne, Liese, Lisi, Lombardo, Lulling, Maat, McCartin, McMillan-Scott, Mann Thomas, Mantovani, Marini, Marinos, Marques, Martens, Matikainen-Kallström, Mauro, Mayer Hans-Peter, Mayer Xaver, Méndez de Vigo, Menrad, Mombaur, Morillon, Naranjo Escobar, Nicholson, Niebler, Nisticò, Oomen-Ruijten, Oreja Arburúa, Pacheco Pereira, Pack, Parish, Pastorelli, Pérez Álvarez, Perry, Pex, Pirker, Piscarreta, Podestà, Poettering, Posselt, Pronk, Provan, Purvis, Quisthoudt-Rowohl, Radwan, Redondo Jiménez, Ripoll y Martínez de Bedoya, Rovsing, Rübig, Sacrédeus, Salafranca Sánchez-Neyra, Santer, Santini, Sartori, Scallon, Schaffner, Schierhuber, Schleicher, Schmitt, Schröder Jürgen, Schwaiger, Smet, Sommer, Stenmarck, Stenzel, Stevenson, Stockton, Sturdy, Sudre, Suominen, Tajani, Tannock, Theato, Thyssen, Trakatellis, Twinn, Valdivielso de Cué, Van Orden, Varela Suanzes-Carpegna, van Velzen, de Veyrinas, Vidal-Quadras Roca, Vlasto, Wenzel-Perillo, von Wogau, Wuermeling, Zabell, Zacharakis, Zappalà, Zimmerling, Zissener**PSE:** Andersson, Aparicio Sánchez, Baltas, Berenguer Fuster, Berès, van den Berg, Berger, Bösch, Bowe, Bullmann, Campos, Carlotti, Casaca, Cercas, Ceyhun, Corbett, Darras, Dehousse, De Keyser, De Rossa, Désir, Díez González, Dührkop Dührkop, Duhamel, Duin, El Khadraoui, Ettl, Evans Robert J.E., Färm, Fava, Ferreira, Ford, Fruteau, Garot, Gebhardt, Gill, Gillig, Glante, Görlach, Gröner, Guy-Quint, Hänsch, Haug, Hazan, Hedkvist Petersen, Honeyball, Howitt, Hughes, van Hulten, Hume, Iivari, Imbeni, Izquierdo Collado, Izquierdo Rojo, Jöns, Junker, Karamanou, Karlsson, Katiforis, Keßler, Kindermann, Kinnock, Koukiadis, Krehl, Kreissl-Dörfler, Kuckelkorn, Kuhne, Lage, Lalumière, Lange, Leinen, Linkohr, Lund, McAvan, McCarthy, McNally, Malliori, Mann Erika, Marinho, Martin David W., Martin Hans-Peter, Martínez Martínez, Mastorakis, Medina Ortega, Mendiluce Pereiro, Menéndez del Valle, Miguélez Ramos, Miller, Miranda de Lage, Moraes, Morgan, Müller, Murphy, Myller, Napoletano, O'Toole, Paasilinna, Paciotti, Patrie, Piecyk, Pittella, Poignant, Poos, Prets, Rapkay, Read, Rocard, Roth-Behrendt, Rothe, Rothley, Roure, Ruffolo, Sacconi, Sakellariou, Sandberg-Fries, dos Santos, Sauquillo Pérez del Arco, Savary, Scheele, Schmid Gerhard, Schulz, Simpson, Soares, Sornosa Martínez, Souladakis, Sousa Pinto, Stihler, Stockmann, Swibel, Swoboda, Theorin, Thorning-Schmidt, Titley, Torres Marques, Vairinhos, Van Lancker, Volcic, Walter, Watts, Weiler, Whitehead, Wiersma, Wynn, Zorba, Zrihen**UEN:** Berlato, Bigliardo, Camre, Fitzsimons, Marchiani, Muscardini, Mussa, Musumeci, Nobilia, Pasqua, Poli Bortone, Ribeiro e Castro, Segni, Thomas-Mauro, Turchi**Verts/ALE:** Aaltonen, Ahern, Auroi, Boumediene-Thiery, Bouwman, Breyer, Buitenweg, Celli, Cohn-Bendit, Dhaene, Evans Jillian, Ferrández Lezaun, Flautre, Gahrton, Graefe zu Baringdorf, Hudghton, Isler Béguin, Jonckheer, Legendijk, Lambert, Lannoye, Lipietz, Lucas, MacCormick, McKenna, Maes, Mayol i Raynal, Onesta, Piétrasanta, Rod, de Roo, Rühle, Schörling, Schroedter, Sörensen, Turmes, Voggenhuber, Wuori, Wyn

Wednesday 14 January 2004

Against: 61

EDD: Booth, Farage, Titford

ELDR: Andreasen, André-Léonard, Busk, Calò, Clegg, Costa Paolo, Davies, De Clercq, Duff, Dybkjær, Flesch, Formentini, Gasòliba i Böhm, Huhne, Jensen, Ludford, Lynne, Maaten, Malmström, Manders, Martelli, Monsonís Domingo, Mulder, Newton Dunn, Olsson, Paulsen, Pesälä, Plooij-van Gorsel, Pohjamo, Procacci, Ries, Riis-Jørgensen, Rutelli, Schmidt, Sterckx, Sørensen, Thors, Väyrynen, Vallvé, Vermeer, Virrankoski, Wallis, Watson

NI: Berthu, Beysen, Bonino, Cappato, Dupuis, Hager, Pannella, Souchet, Turco

PPE-DE: Musotto

UEN: Andrews, Collins, Crowley, Queiró

Verts/ALE: Echerer

Abstention: 8

EDD: Bernié, Butel, Coûteaux, Esclopé, Mathieu, Saint-Josse

GUE/NGL: Blak

PSE: Skinner

Herzog report A5-0484/2003

Amendment 45, 3rd part

For: 265

EDD: Abitbol, Andersen, Belder, Bernié, Blokland, Bonde, Butel, van Dam, Esclopé, Kuntz, Mathieu, Saint-Josse, Sandbæk

ELDR: Attwooll, Di Pietro, Sbarbati, Van Hecke

GUE/NGL: Ainardi, Alavanos, Bakopoulos, Bergaz Conesa, Boudjenah, Brie, Caudron, Di Lello Finuoli, Fiebiger, Figueiredo, Frahm, Fraisse, Herzog, Jové Peres, Kaufmann, Koulourianos, Krivine, Manisco, Markov, Maset Campos, Meijer, Modrow, Naïr, Patakis, Puerta, Scarbonchi, Schmid Herman, Seppänen, Sjöstedt, Vachetta, Wurtz

NI: Borghezio, Claeys, Dillen, de Gaulle, Gobbo, Gollnisch, Gorostiaga Atxalandabaso, Kronberger, Lang, de La Perriere, Martinez, Paisley, Speroni, Stirbois

PPE-DE: Ayuso González, Brunetta, Cocilovo, Costa Raffaele, Grosch, Smet, Thyssen

PSE: Andersson, Aparicio Sánchez, Baltas, Berenguer Fuster, Berès, van den Berg, Berger, Bösch, Bowe, Bullmann, Campos, Carlotti, Casaca, Cercas, Ceyhun, Corbett, Corbey, Darras, Dehousse, De Keyser, De Rossa, Désir, Díez González, Duhamel, Duin, El Khadraoui, Ettl, Evans Robert J.E., Färm, Fava, Ferreira, Ford, Fruteau, Garot, Gebhardt, Gill, Gillig, Glante, Goebbels, Görlach, Gröner, Guy-Quint, Hänsch, Haug, Hazan, Hedkvist Petersen, Honeyball, Howitt, Hughes, van Hulten, Hume, Iivari, Imbeni, Izquierdo Collado, Izquierdo Rojo, Jöns, Junker, Karamanou, Karlsson, Katiforis, Keßler, Kindermann, Kinnock, Koukiadis, Krehl, Kreissl-Dörfler, Kuckelkorn, Kuhne, Lage, Lalumière, Lange, Lavarra, Leinen, Linkohr, Lund, McAvan, McCarthy, McNally, Malliori, Marinho, Martin David W., Martínez Martínez, Mastorakis, Medina Ortega, Mendiluce Pereiro, Menéndez del Valle, Miguélez Ramos, Miller, Miranda de Lage, Moraes, Morgan, Müller, Murphy, Myller, Napoletano, O'Toole, Paasilinna, Paciotti, Patrie, Piecyk, Pittella, Poinant, Poos, Prets, Rapkay, Read, Rocard, Roth-Behrendt, Rothe, Rothley, Roure, Ruffolo, Sacconi, Sakellariou, Sandberg-Fries, dos Santos, Sauquillo Pérez del Arco, Savary, Scheele, Schmid Gerhard, Schulz, Simpson, Soares, Sornosa Martínez, Souladakakis, Sousa Pinto, Stihler, Stockmann, Swiebel, Swoboda, Theorin, Titley, Torres Marques, Vairinhos, Van Lancker, Volcic, Walter, Watts, Weiler, Whitehead, Wiersma, Wynn, Zorba, Zrihen

UEN: Bigliardo, Marchiani, Muscardini, Mussa, Nobilia, Pasqua, Poli Bortone, Ribeiro e Castro, Segni, Thomas-Mauro, Turchi

Wednesday 14 January 2004

Verts/ALE: Aaltonen, Ahern, Auroi, Boumediene-Thiery, Bouwman, Breyer, Buitenweg, Celli, Cohn-Bendit, Dhaene, Echerer, Evans Jillian, Ferrández Lezaun, Flautre, Frassoni, Gahrton, Graefe zu Baringdorf, Hudghton, Isler Béguin, Jonckheer, Legendijk, Lambert, Lannoye, Lipietz, Lucas, MacCormick, McKenna, Maes, Mayol i Raynal, Onesta, Piétrasanta, Rod, de Roo, Rühle, Schörling, Schroedter, Sörensen, Turmes, Voggenhuber, Wuori, Wyn

Against: 249

EDD: Booth, Farage, Titford

ELDR: Andreasen, André-Léonard, Busk, Calò, Clegg, Costa Paolo, Davies, De Clercq, Duff, Dybkjær, Flesch, Formentini, Gasòliba i Böhm, Huhne, Ludford, Lynne, Maaten, Malmström, Manders, Martelli, Monsonís Domingo, Mulder, Newton Dunn, Nordmann, Olsson, Paulsen, Pesälä, Plooi-j-van Gorsel, Pohjamo, Procacci, Riis-Jørgensen, Rutelli, Schmidt, Sterckx, Sørensen, Thors, Väyrynen, Vallvé, Vermeer, Virrankoski, Watson

NI: Beysen, Bonino, Cappato, Della Vedova, Dupuis, Hager, Ilgenfritz, Pannella, Souchet, Turco

PPE-DE: Almeida Garrett, Andria, Arvidsson, Atkins, Averoff, Avilés Perea, Balfe, Banotti, Bartolozzi, Bastos, Bayona de Perogordo, Beazley, Bébéar, Berend, Bodrato, Böge, von Boetticher, Bourlanges, Bowis, Bradbourn, Bremmer, Brienza, Brok, Bushill-Matthews, Callanan, Camisón Asensio, Cardoso, Cederschiöld, Chichester, Coelho, Cornillet, Corrie, Cushnahan, Daul, Deprez, Descamps, De Veyrac, Dimitrakopoulos, Dover, Doyle, Ebner, Elles, Fatuzzo, Ferber, Fernández Martín, Ferrer, Ferri, Fiori, Flemming, Florenz, Folias, Foster, Fourtou, Friedrich, Gahler, Galeote Quecedo, García-Margallo y Marfil, García-Orcoyen Tormo, Gargani, Garriga Polledo, Gawronski, Gemelli, Gil-Robles Gil-Deigado, Glase, Goepel, Gomolka, Goodwill, Gouveia, Graça Moura, Grönfeldt Bergman, Grossetête, Hannan, Hansenne, Harbour, Hatzidakis, Heaton-Harris, Helmer, Hermange, Hernández Mollar, Herranz García, Hieronymi, Inglewood, Jackson, Jarzembowski, Jeggler, Karas, Kastler, Keppelhoff-Wiechert, Khanbhai, Kirkhope, Klamt, Klauf, Koch, Konrad, Korhola, Kratsa-Tsagaropoulou, Lamassoure, Langen, Laschet, Lechner, Lehne, Liese, Lisi, Lulling, Maat, McCartin, McMillan-Scott, Mann Thomas, Mantovani, Marini, Marinos, Martens, Matikainen-Kallström, Mauro, Mayer Hans-Peter, Mayer Xaver, Méndez de Vigo, Menrad, Mombaur, Morillon, Musotto, Nicholson, Niebler, Nisticò, Oomen-Ruijten, Oreja Arburúa, Pacheco Pereira, Pack, Parish, Pastorelli, Pérez Álvarez, Perry, Pex, Pirker, Piscarreta, Podestà, Poettering, Posselt, Pronk, Provan, Purvis, Quisthoudt-Rowohl, Radwan, Redondo Jiménez, Ripoll y Martínez de Bedoya, Rovsing, Rübig, Sacrédeus, Salafranca Sánchez-Neyra, Santer, Santini, Sartori, Schaffner, Schierhuber, Schleicher, Schmitt, Schröder Jürgen, Schwaiger, Sommer, Stenmarck, Stenzel, Stevenson, Stockton, Sturdy, Sudre, Sumberg, Suominen, Tajani, Tannock, Theato, Trakatellis, Twinn, Valdivielso de Cué, Van Orden, Varela Suanzes-Carpegna, van Velzen, de Veyrinas, Vidal-Quadras Roca, Villiers, Vlasto, Wenzel-Perillo, Wijkman, von Wogau, Wuermeling, Zabell, Zacharakis, Zappalà, Zimmerling, Zissener

UEN: Camre, Collins, Crowley, Hyland, Ó Neachtain, Queiró

Abstention: 9

EDD: Coûteaux

GUE/NGL: Blak, Bordes, Cauquil, Laguiller, Schröder Ilka

NI: Berthu, Garaud

PSE: Skinner

Herzog report A5-0484/2003

Amendment 46

For: 170

EDD: Abitbol, Andersen, Belder, Bernié, Blokland, Bonde, Butel, Coûteaux, van Dam, Esclopé, Kuntz, Mathieu, Saint-Josse, Sandbæk

ELDR: Di Pietro, Olsson, Procacci, Rutelli, Thors

Wednesday 14 January 2004

GUE/NGL: Ainardi, Alavanos, Bakopoulos, Bergaz Conesa, Blak, Bordes, Boudjenah, Brie, Caudron, Cauquil, Di Lello Finuoli, Fiebiger, Figueiredo, Frahm, Fraisse, Herzog, Jové Peres, Kaufmann, Koulourianos, Krivine, Laguiller, Manisco, Markov, Marset Campos, Meijer, Modrow, Nair, Patakis, Puerta, Scarbonchi, Schmid Herman, Schröder Ilka, Seppänen, Sjöstedt, Vachetta, Wurtz

NI: Borghezio, Gorostiaga Atxalandabaso, de La Perriere, Paisley

PPE-DE: Bodrato

PSE: Berès, Berger, Bösch, Campos, Carlotti, Casaca, Cercas, Dehousse, Désir, El Khadraoui, Ettl, Evans Robert J.E., Fava, Ferreira, Ford, Fruteau, Gill, Gillig, Guy-Quint, Honeyball, Howitt, Hughes, Kinnock, Lund, McAvan, McCarthy, McNally, Marinho, Martin David W., Martin Hans-Peter, Mendiluce Pereiro, Miller, Moraes, Morgan, Murphy, O'Toole, Patrie, Piecyk, Pittella, Poignant, Prets, Read, Rocard, Roure, Savary, Scheele, Simpson, Skinner, Stihler, Swoboda, Titley, Vairinhos, Van Lancker, Watts, Whitehead, Wynn, Zrihen

UEN: Berlato, Bigliardo, Marchiani, Muscardini, Mussa, Musumeci, Nobilia, Pasqua, Poli Bortone, Ribeiro e Castro, Segni, Thomas-Mauro, Turchi

Verts/ALE: Aaltonen, Ahern, Auroi, Boumediene-Thiery, Bouwman, Breyer, Buitenweg, Celli, Cohn-Bendit, Dhaene, Echerer, Evans Jillian, Ferrández Lezaun, Flautre, Frassoni, Gahrton, Graefe zu Baringdorf, Hudghton, Isler Béguin, Jonckheer, Lagendijk, Lambert, Lannoye, Lipietz, Lucas, McCormick, McKenna, Maes, Mayol i Raynal, Onesta, Piétrasanta, Rod, de Roo, Rühle, Schöring, Sörensen, Turmes, Voggenhuber, Wuori, Wyn

Against: 348

EDD: Booth, Farage, Titford

ELDR: Andreasen, André-Léonard, Attwooll, Busk, Clegg, Costa Paolo, Davies, De Clercq, Duff, Dybkjær, Flesch, Formentini, Gasòliba i Böhm, Huhne, Jensen, Ludford, Lynne, Maaten, Malmström, Manders, Martelli, Monsonís Domingo, Mulder, Newton Dunn, Nordmann, Paulsen, Pesälä, Plooij-van Gorsel, Pohjamo, Ries, Riis-Jørgensen, Sbarbati, Schmidt, Sterckx, Sørensen, Väyrynen, Vallvé, Van Hecke, Vermeer, Virrankoski, Wallis, Watson

NI: Berthu, Beysen, Bonino, Cappato, Della Vedova, Dupuis, Hager, Ilgenfritz, Pannella, Souchet, Turco

PPE-DE: Almeida Garrett, Andria, Arvidsson, Atkins, Averoff, Avilés Perea, Ayuso González, Balfé, Banotti, Bartolozzi, Bastos, Bayona de Perogordo, Beazley, Bébéar, Berend, Böge, von Boetticher, Bourlanges, Bowis, Bradbourn, Bremmer, Brienza, Brok, Brunetta, Bushill-Matthews, Callanan, Camisón Asensio, Cardoso, Cederschiöld, Chichester, Cocilovo, Coelho, Cornillet, Corrie, Costa Raffaele, Cushnahan, Daul, Deprez, Descamps, De Veyrac, Dimitrakopoulos, Dover, Doyle, Ebner, Elles, Fatuzzo, Ferber, Fernández Martín, Ferrer, Ferri, Fiori, Flemming, Florenz, Folias, Foster, Fourtou, Friedrich, Gahler, Galeote Quecedo, García-Margallo y Marfil, García-Orcoyen Tormo, Gargani, Garriga Polledo, Gawronski, Gemelli, Gil-Robles Gil-Delgado, Glase, Goepel, Gomolka, Goodwill, Gouveia, Graça Moura, Grönfeldt Bergman, Grosch, Grossetête, Hannan, Hansenne, Harbour, Hatzidakis, Heaton-Harris, Helmer, Hermange, Hernández Mollar, Herranz García, Hieronymi, Inglewood, Jackson, Jarzembowski, Jeggler, Karas, Kastler, Keppelhoff-Wiechert, Khanbhai, Kirkhope, Klamt, Klaß, Koch, Konrad, Korhola, Kratsa-Tsagaropoulou, Lamassoure, Langen, Laschet, Lechner, Lehne, Liese, Lisi, Lombardo, Lulling, Maat, McCartin, McMillan-Scott, Mann Thomas, Mantovani, Marini, Marinos, Marques, Martens, Matikainen-Kallström, Mauro, Mayer Hans-Peter, Mayer Xaver, Méndez de Vigo, Menrad, Mombaur, Morillon, Musotto, Naranjo Escobar, Nicholson, Niebler, Nisticò, Oomen-Ruijten, Oreja Arburúa, Pacheco Pereira, Pack, Parish, Pastorelli, Pérez Álvarez, Perry, Pex, Pirker, Píscarreta, Podestà, Poettering, Posselt, Pronk, Provan, Purvis, Quisthoudt-Rowohl, Radwan, Redondo Jiménez, Ripoll y Martínez de Bedoya, Rovsing, Rübig, Sacrédeus, Salafranca Sánchez-Neyra, Santer, Santini, Sartori, Scallon, Schaffner, Schierhuber, Schleicher, Schmitt, Schröder Jürgen, Schwaiger, Smet, Sommer, Stenmarck, Stenzel, Stevenson, Stockton, Sturdy, Sudre, Sumberg, Suominen, Tajani, Tannock, Theato, Thyssen, Trakatellis, Twinn, Valdivielso de Cué, Van Orden, Varela Suanzes-Carpegna, van Velzen, de Veyrinas, Vidal-Quadras Roca, Villiers, Vlasto, Wenzel-Perillo, Wijkman, von Wogau, Wiermeling, Zabell, Zacharakis, Zappalà, Zimmerling, Zissener

PSE: Andersson, Aparicio Sánchez, Baltas, Berenguer Fuster, van den Berg, Bowe, Ceyhun, Corbett, Corbey, De Rossa, Díez González, Dührkop Dührkop, Duin, Färm, Gebhardt, Glante, Goebbels, Görlach, Gröner, Hänsch, Haug, Hedkvist Petersen, van Hulten, Hume, Iivari, Imbeni, Izquierdo Collado, Izquierdo Rojo, Jöns, Junker, Karamanou, Karlsson, Katiforis, Keßler, Kindermann, Koukiadis, Krehl, Kreissl-Dörfler,

Wednesday 14 January 2004

Kuckelkorn, Kuhne, Lage, Lange, Lavarra, Leinen, Linkohr, Malliori, Mann Erika, Martínez Martínez, Mastorakis, Medina Ortega, Menéndez del Valle, Miguélez Ramos, Miranda de Lage, Müller, Myller, Napoletano, Paasilinna, Paciotti, Poos, Rapkay, Roth-Behrendt, Rothe, Rothley, Ruffolo, Sacconi, Sakellariou, Sandberg-Fries, dos Santos, Sauquillo Pérez del Arco, Schmid Gerhard, Schulz, Soares, Sornosa Martínez, Souladakis, Sousa Pinto, Stockmann, Swiebel, Theorin, Thorning-Schmidt, Torres Marques, Volcic, Walter, Weiler, Wiersma, Zorba

UEN: Andrews, Camre, Collins, Crowley, Fitzsimons, Hyland, Ó Neachtain, Queiró

Abstention: 13

NI: Claeys, Dillen, Garaud, de Gaulle, Gobbo, Gollnisch, Lang, Martinez, Speroni, Stirbois

PSE: Darras, Duhamel, Lalumière

Herzog report A5-0484/2003

Amendment 27

For: 209

EDD: Abitbol, Bernié, Butel, Coûteaux, Esclopé, Kuntz, Mathieu, Saint-Josse

ELDR: Di Pietro, Rutelli, Sbarbati

GUE/NGL: Ainardi, Alavanos, Bakopoulos, Bergaz Conesa, Blak, Boudjenah, Brie, Caudron, Di Lello Finuoli, Fiebiger, Figueiredo, Fraisse, Herzog, Jové Peres, Kaufmann, Koulourianos, Manisco, Markov, Marset Campos, Meijer, Modrow, Nair, Puerta, Scarbonchi, Schmid Herman, Schröder Ilka, Seppänen, Sjöstedt, Vachetta

NI: Gorostiaga Atxalandabaso, Paisley

PPE-DE: Bodrato, Cocilovo, Harbour, Santer, Thyssen

PSE: Andersson, Aparicio Sánchez, Baltas, Berenguer Fuster, Berès, van den Berg, Berger, Bösch, Bullmann, Campos, Carlotti, Casaca, Cercas, Ceyhun, Corbey, Darras, Dehousse, De Keyser, De Rossa, Désir, Díez González, Dührkop Dührkop, Duhamel, Duin, El Khadraoui, Ettl, Färm, Fava, Fruteau, Garot, Gebhardt, Gillig, Glante, Goebbels, Görlach, Gröner, Guy-Quint, Hänsch, Haug, Hazan, Hedkvist Petersen, van Hulten, Hume, Iivari, Imbeni, Izquierdo Collado, Izquierdo Rojo, Jöns, Junker, Karamanou, Karlsson, Katiforis, Keßler, Kindermann, Koukiadis, Krehl, Kreissl-Dörfler, Kuckelkorn, Kuhne, Lage, Lalumière, Lange, Lavarra, Leinen, Linkohr, Malliori, Mann Erika, Marinho, Martin Hans-Peter, Martínez Martínez, Mastorakis, Medina Ortega, Mendiluce Pereiro, Menéndez del Valle, Miguélez Ramos, Miranda de Lage, Müller, Myller, Napoletano, Paasilinna, Paciotti, Patrie, Piecyk, Pittella, Poignant, Poos, Prets, Rapkay, Rocard, Roth-Behrendt, Rothe, Rothley, Roure, Ruffolo, Sacconi, Sakellariou, Sandberg-Fries, dos Santos, Sauquillo Pérez del Arco, Savary, Scheele, Schmid Gerhard, Schulz, Soares, Sornosa Martínez, Souladakis, Sousa Pinto, Stockmann, Swiebel, Swoboda, Theorin, Thorning-Schmidt, Vairinhos, Van Lancker, Volcic, Walter, Weiler, Wiersma, Zorba, Zrihen

UEN: Bigliardo

Verts/ALE: Aaltonen, Ahern, Auroi, Boumediene-Thiery, Bouwman, Breyer, Buitenweg, Celli, Cohn-Bendit, Dhaene, Echerer, Evans Jillian, Ferrández Lezaun, Flautre, Frassoni, Gahrton, Graefe zu Baringdorf, Hudghton, Iler Béguin, Jonckheer, Lagendijk, Lambert, Lannoye, Lipietz, Lucas, MacCormick, McKenna, Maes, Mayol i Raynal, Onesta, Piétrasanta, Rod, de Roo, Rühle, Schörling, Schroedter, Sörensen, Turmes, Voggenhuber, Wuori, Wyn

Against: 298

EDD: Belder, Blokland, Booth, van Dam, Farage, Titford

ELDR: Andreasen, André-Léonard, Attwooll, Busk, Calò, Clegg, Costa Paolo, Davies, De Clercq, Duff, Dybkjær, Fleisch, Formentini, Gasòliba i Böhm, Huhne, Jensen, Ludford, Lynne, Maaten, Malmström,

Wednesday 14 January 2004

Manders, Martelli, Monsonís Domingo, Mulder, Nordmann, Olsson, Paulsen, Pesälä, Plooij-van Gorsel, Pohjamo, Procacci, Ries, Riis-Jørgensen, Schmidt, Sterckx, Sørensen, Thors, Väyrynen, Vallvé, Van Hecke, Vermeer, Virrankoski, Wallis, Watson

GUE/NGL: Bordes, Cauquil, Laguiller

NI: Berthu, Beysen, Bonino, Cappato, Claeys, Della Vedova, Dillen, Dupuis, de Gaulle, Gollnisch, Hager, Ilgenfritz, Lang, de La Perriere, Martinez, Pannella, Souchet, Stirbois

PPE-DE: Almeida Garrett, Andria, Arvidsson, Atkins, Averoff, Avilés Perea, Ayuso González, Balfe, Banotti, Bartolozzi, Bastos, Bayona de Perogordo, Beazley, Bébéar, Berend, Böge, von Boetticher, Bourlanges, Bowis, Bradbourn, Bremmer, Brienza, Brok, Brunetta, Bushill-Matthews, Callanan, Camisón Asensio, Cardoso, Cederschiöld, Chichester, Coelho, Cornillet, Corrie, Costa Raffaele, Cushnahan, Daul, Deprez, Descamps, De Veyrac, Dimitrakopoulos, Dover, Doyle, Ebner, Elles, Fatuzzo, Ferber, Fernández Martín, Ferrer, Ferri, Fiori, Flemming, Florenz, Folias, Foster, Fournou, Friedrich, Gahler, Galeote Quecedo, García-Margallo y Marfil, García-Orcoyen Tormo, Gargani, Garriga Polledo, Gawronski, Gemelli, Gil-Robles Gil-Delgado, Glase, Goepel, Gomolka, Goodwill, Gouveia, Graça Moura, Grönfeldt Bergman, Grossetête, Hannan, Hansenne, Hatzidakis, Heaton-Harris, Helmer, Hermange, Hernández Mollar, Herranz García, Hieronymi, Inglewood, Jackson, Jarzembowski, Jeggle, Karas, Kastler, Keppelhoff-Wiechert, Khanbhai, Kirkhope, Klamt, Klab, Koch, Konrad, Korhola, Kratsa-Tsagaropoulou, Lamassoure, Langen, Laschet, Lechner, Lehne, Liese, Lisi, Lombardo, Lulling, McMillan-Scott, Mann Thomas, Mantovani, Marini, Marques, Martens, Matikainen-Kallström, Mauro, Mayer Hans-Peter, Mayer Xaver, Méndez de Vigo, Menrad, Mombaur, Morillon, Musotto, Naranjo Escobar, Nicholson, Niebler, Nisticò, Oomen-Ruijten, Oreja Arburúa, Pacheco Pereira, Pack, Parish, Pastorelli, Pérez Álvarez, Perry, Pex, Pirker, Piscarreta, Podestà, Poettering, Posselt, Pronk, Purvis, Quisthoudt-Rowohl, Radwan, Redondo Jiménez, Ripoll y Martínez de Bedoya, Rovsing, Rübig, Sacrédeus, Salafranca Sánchez-Neyra, Santini, Sartori, Scallon, Schaffner, Schierhuber, Schleicher, Schmitt, Schröder Jürgen, Schwaiger, Sommer, Stenmarck, Stenzel, Stevenson, Stockton, Sturdy, Sudre, Sumberg, Suominen, Tajani, Tannock, Theato, Trakatellis, Twinn, Valdivielso de Cué, Van Orden, Varela Suanzes-Carpegna, van Velzen, de Veyrinas, Vidal-Quadras Roca, Villiers, Vlasto, Wenzel-Perillo, Wijkman, Wuermeling, Zabell, Zacharakis, Zappalà, Zimmerling, Zissener

PSE: Bowe, Corbett, Evans Robert J.E., Ford, Gill, Honeyball, Howitt, Hughes, Kinnock, Lund, McAvan, McCarthy, McNally, Martin David W., Miller, Moraes, Morgan, Murphy, O'Toole, Read, Simpson, Skinner, Stihler, Titley, Watts, Whitehead, Wynn

UEN: Andrews, Camre, Collins, Crowley, Fitzsimons, Hyland, Marchiani, Ó Neachtain, Pasqua, Queiró, Ribeiro e Castro, Thomas-Mauro

Abstention: 21

EDD: Andersen, Bonde, Sandbæk

GUE/NGL: Frahm, Krivine, Patakis

NI: Borghezio, Garaud, Gobbo, Kronberger, Speroni

PPE-DE: Maat, Provan

UEN: Berlato, Muscardini, Mussa, Musumeci, Nobilia, Poli Bortone, Segni, Turchi

Herzog report A5-0484/2003

Paragraph 24

For: 411

EDD: Belder, Blokland, Booth, van Dam, Farage, Titford

ELDR: Andreasen, André-Léonard, Attwooll, Busk, Calò, Clegg, Costa Paolo, Davies, De Clercq, Di Pietro, Duff, Dybkjær, Fleisch, Formentini, Gasòliba i Böhm, Huhne, Jensen, Ludford, Lynne, Maaten, Malmström, Manders, Martelli, Monsonís Domingo, Mulder, Newton Dunn, Nordmann, Olsson, Paulsen, Pesälä, Plooij-van Gorsel, Pohjamo, Procacci, Ries, Riis-Jørgensen, Rutelli, Sbarbati, Schmidt, Sterckx, Sørensen, Thors, Väyrynen, Vallvé, Van Hecke, Vermeer, Virrankoski, Wallis, Watson

Wednesday 14 January 2004

GUE/NGL: Alavanos, Blak

NI: Beysen, Bonino, Borghezio, Cappato, Della Vedova, Dupuis, Gobbo, Hager, Ilgenfritz, Kronberger, Pannella, Speroni, Turco

PPE-DE: Almeida Garrett, Andria, Arvidsson, Atkins, Averoff, Avilés Perea, Ayuso González, Banotti, Bartolozzi, Bastos, Bayona de Perogordo, Beazley, Bébéar, Berend, Bodrato, Böge, von Boetticher, Bourlanges, Bowis, Bradbourn, Bremmer, Brienza, Brok, Brunetta, Bushill-Matthews, Callanan, Camisón Asensio, Cardoso, Cederschiöld, Chichester, Cocilovo, Coelho, Cornillet, Corrie, Cushnahan, Daul, Deprez, Descamps, De Veyrac, Dimitrakopoulos, Dover, Doyle, Ebner, Elles, Fatuzzo, Ferber, Fernández Martín, Ferrer, Ferri, Fiori, Flemming, Folias, Foster, Fournou, Friedrich, Gahler, Galeote Quecedo, García-Margallo y Marfil, García-Orcyón Tormo, Gargani, Garriga Polledo, Gawronski, Gemelli, Gil-Robles Gil-Delgado, Glase, Goepel, Gomolka, Goodwill, Gouveia, Graça Moura, Grönfeldt Bergman, Grosch, Grossetête, Hannan, Hansenne, Harbour, Hatzidakis, Heaton-Harris, Helmer, Hermange, Hernández Mollar, Herranz García, Hieronymi, Jackson, Jarzembowski, Jeggler, Karas, Kastler, Keppelhoff-Wiechert, Khanbhai, Kirkhope, Klamt, Klaß, Koch, Konrad, Korhola, Kratsa-Tsagaropoulou, Lamassoure, Langen, Laschet, Lechner, Lehne, Lisi, Lombardo, Lulling, Maat, McCartin, McMillan-Scott, Mann Thomas, Mantovani, Marini, Marinos, Marques, Martens, Matikainen-Kallström, Mauro, Mayer Hans-Peter, Mayer Xaver, Méndez de Vigo, Menrad, Mombaur, Morillon, Musotto, Naranjo Escobar, Nicholson, Niebler, Nisticò, Oomen-Ruijten, Oreja Arburúa, Pacheco Pereira, Pack, Parish, Pastorelli, Pérez Álvarez, Perry, Pex, Pirker, Piscarreta, Podestà, Poettering, Posselt, Pronk, Provan, Purvis, Quisthoudt-Rowohl, Radwan, Redondo Jiménez, Ripoll y Martínez de Bedoya, Røvsing, Rübiger, Sacrédeus, Salafranca Sánchez-Neyra, Santer, Santini, Sartori, Scallon, Schaffner, Schierhuber, Schleicher, Schmitt, Schröder Jürgen, Schwaiger, Smet, Sommer, Stenmarck, Stenzel, Stevenson, Stockton, Sturdy, Sudre, Sumberg, Suominen, Tajani, Tannock, Theato, Thyssen, Trakatellis, Twinn, Valdivielso de Cué, Van Orden, Varela Suanzes-Carpegna, van Velzen, de Veyrinas, Vidal-Quadras Roca, Villiers, Vlasto, Wenzel-Perillo, von Wogau, Wuermeling, Zabell, Zacharakis, Zappalà, Zimmerling, Zissener

PSE: Andersson, Aparicio Sánchez, Baltas, Berenguer Fuster, Berès, van den Berg, Bösch, Bowe, Bullmann, Campos, Casaca, Cercas, Ceyhun, Corbett, Corbey, De Rossa, Díez González, Dührkop Dührkop, Duhamel, Duin, Ettl, Evans Robert J.E., Färm, Ford, Fruteau, Gebhardt, Gill, Gillig, Glante, Goebbels, Görlach, Gröner, Guy-Quint, Hänsch, Haug, Hazan, Hedkvist Petersen, Honeyball, Howitt, Hughes, van Hulst, Hume, Iivari, Imbeni, Izquierdo Collado, Izquierdo Rojo, Jöns, Karamanou, Karlsson, Katiforis, Keßler, Kindermann, Kinnock, Koukiadis, Krehl, Kreissl-Dörfler, Kuckelkorn, Kuhne, Lage, Lalumière, Lange, Lavarra, Leinen, Linkohr, Lund, McAvan, McCarthy, McNally, Malliori, Mann Erika, Marinho, Martin David W., Martin Hans-Peter, Mastorakis, Medina Ortega, Menéndez del Valle, Miguélez Ramos, Miller, Miranda de Lage, Morgan, Müller, Murphy, Myller, Napoletano, O'Toole, Paciotti, Patrie, Piecyk, Pittella, Poignant, Poos, Prets, Rapkay, Read, Rocard, Roth-Behrendt, Rothe, Rothley, Ruffolo, Sacconi, Sakellariou, Sandberg-Fries, dos Santos, Sauquillo Pérez del Arco, Savary, Schmid Gerhard, Schulz, Simpson, Skinner, Soares, Sornosa Martínez, Souladakis, Sousa Pinto, Stihler, Stockmann, Swiebel, Theorin, Thorning-Schmidt, Titley, Torres Marques, Volcic, Walter, Watts, Weiler, Whitehead, Wiersma, Wynn, Zorba

UEN: Andrews, Berlato, Bigliardo, Camre, Collins, Crowley, Fitzsimons, Hyland, Marchiani, Muscardini, Mussa, Musumeci, Nobilia, O Neachtain, Pasqua, Poli Bortone, Queiró, Ribeiro e Castro, Segni, Turchi

Against: 112

EDD: Abitbol, Andersen, Bernié, Bonde, Butel, Coûteaux, Esclopé, Mathieu, Saint-Josse, Sandbæk

GUE/NGL: Ainardi, Bakopoulos, Bergaz Conesa, Bordes, Boudjenah, Brie, Caudron, Cauquil, Di Lello Finuoli, Fiebiger, Figueiredo, Frahm, Fraisse, Herzog, Jové Peres, Kaufmann, Koulourianos, Krivine, Laguiller, Manisco, Markov, Maset Campos, Meijer, Modrow, Naïr, Patakis, Puerta, Scarbonchi, Schröder Ilka, Seppänen, Sjøstedt, Vachetta, Wurtz

NI: Claeys, Dillen, de Gaulle, Gollnisch, Gorostiaga Atxalandabaso, Stirbois

PPE-DE: Costa Raffaele, Liese, Wijkman

PSE: Berger, Carlotti, Darras, Dehousse, De Keyser, Désir, El Khadraoui, Fava, Ferreira, Garot, Mendiluce Pereiro, Moraes, Paasilinna, Roure, Scheele, Vairinhos, Van Lancker, Zrihen

UEN: Thomas-Mauro

Wednesday 14 January 2004

Verts/ALE: Aaltonen, Ahern, Auroi, Boumediene-Thiery, Bouwman, Breyer, Buitenweg, Celli, Cohn-Bendit, Dhaene, Echerer, Evans Jillian, Ferrández Lezaun, Flautre, Frassoni, Gahrton, Graefe zu Baringdorf, Hudghton, Isler Béguin, Jonckheer, Lagendijk, Lambert, Lannoye, Lipietz, Lucas, MacCormick, McKenna, Maes, Mayol i Raynal, Onesta, Piétrasanta, Rod, de Roo, Rühle, Schörling, Schroedter, Sörensen, Turmes, Voggenhuber, Wuori, Wyn

Abstention: 9

EDD: Kuntz

GUE/NGL: Schmid Herman

NI: Berthu, Garaud, Lang, de La Perriere, Martinez, Souchet

PPE-DE: Balfe

Herzog report A5-0484/2003

Amendment 28

For: 262

EDD: Abitbol, Bernié, Butel, Esclopé, Kuntz, Mathieu, Saint-Josse

ELDR: André-Léonard, Attwooll, Di Pietro, Nordmann, Rutelli, Van Hecke

GUE/NGL: Ainardi, Alavanos, Bakopoulos, Bergaz Conesa, Boudjenah, Brie, Caudron, Di Lello Finuoli, Fiebiger, Figueiredo, Frahm, Fraisse, Herzog, Jové Peres, Kaufmann, Koulourianos, Manisco, Markov, Marset Campos, Meijer, Modrow, Nair, Puerta, Scarbonchi, Schmid Herman, Schröder Ilka, Seppänen, Sjöstedt, Wurtz

NI: Gorostiaga Atxalandabaso, Kronberger, Paisley

PPE-DE: Almeida Garrett, Bébéar, Bourlanges, Cornillet, Daul, Descamps, De Veyrac, Ferrer, Fourtou, Grosch, Grossetête, Hansenne, Hermange, Lamassoure, Maat, Morillon, Oomen-Ruijten, Pex, Posselt, Pronk, Santer, Schaffner, Smet, Sudre, Thyssen, de Veyrinas, Vlasto, Wijkman

PSE: Andersson, Aparicio Sánchez, Baltas, Berenguer Fuster, Berès, van den Berg, Berger, Bösch, Bowe, Bullmann, Campos, Carlotti, Casaca, Cercas, Ceyhun, Corbett, Corbey, Darras, Dehousse, De Keyser, De Rossa, Désir, Díez González, Dührkop Dührkop, Duhamel, Duin, El Khadraoui, Ettl, Evans Robert J.E., Färm, Fava, Ferreira, Ford, Fruteau, Garot, Gebhardt, Gill, Gillig, Glante, Goebbels, Görlach, Gröner, Guy-Quint, Hänsch, Haug, Hazan, Hedkvist Petersen, Honeyball, Howitt, Hughes, van Hulten, Hume, Iivari, Imbeni, Izquierdo Collado, Izquierdo Rojo, Jöns, Junker, Karamanou, Karlsson, Katiforis, Keßler, Kindermann, Kinnoek, Koukiadis, Krehl, Kreissl-Dörfler, Kuckelkorn, Kuhne, Lage, Lalumière, Lange, Lavarra, Leinen, Linkohr, Lund, McAvan, McCarthy, McNally, Malliori, Marinho, Martin David W., Martin Hans-Peter, Martínez Martínez, Mastorakis, Medina Ortega, Mendiluce Pereiro, Menéndez del Valle, Miguélez Ramos, Miller, Miranda de Lage, Moraes, Morgan, Müller, Murphy, Myller, Napoletano, O'Toole, Paasilinna, Paciotti, Patrie, Piecyk, Pittella, Poignant, Poos, Prets, Rapkay, Read, Rocard, Roth-Behrendt, Rothe, Rothley, Roure, Ruffolo, Sacconi, Sakellariou, Sandberg-Fries, dos Santos, Sauquillo Pérez del Arco, Savary, Scheele, Schmid Gerhard, Schulz, Simpson, Skinner, Soares, Sornosa Martínez, Souladakis, Sousa Pinto, Stihler, Stockmann, Swiebel, Swoboda, Theorin, Thorning-Schmidt, Titley, Torres Marques, Vairinhos, Van Lancker, Volcic, Walter, Watts, Weiler, Whitehead, Wiersma, Wynn, Zorba, Zrihen

Verts/ALE: Aaltonen, Ahern, Auroi, Boumediene-Thiery, Bouwman, Breyer, Buitenweg, Celli, Cohn-Bendit, Dhaene, Echerer, Evans Jillian, Ferrández Lezaun, Flautre, Frassoni, Gahrton, Graefe zu Baringdorf, Hudghton, Isler Béguin, Jonckheer, Lagendijk, Lambert, Lannoye, Lipietz, Lucas, MacCormick, McKenna, Maes, Mayol i Raynal, Onesta, Piétrasanta, Rod, de Roo, Rühle, Schörling, Schroedter, Sörensen, Turmes, Voggenhuber, Wuori, Wyn

Against: 244

EDD: Andersen, Belder, Blokland, Bonde, Booth, van Dam, Farage, Sandbæk, Titford

Wednesday 14 January 2004

ELDR: Andreasen, Busk, Calò, Clegg, Costa Paolo, Davies, De Clercq, Duff, Dybkjær, Fleisch, Formentini, Gasòliba i Böhm, Huhne, Jensen, Ludford, Lynne, Maaten, Malmström, Manders, Martelli, Mulder, Newton Dunn, Olsson, Paulsen, Pesälä, Plooij-van Gorsel, Pohjamo, Procacci, Ries, Riis-Jørgensen, Sbarbati, Schmidt, Sterckx, Sørensen, Thors, Väyrynen, Vallvé, Vermeer, Virrankoski, Wallis, Watson

NI: Berthu, Beysen, Bonino, Cappato, Della Vedova, Dupuis, Hager, Ilgenfritz, de La Perriere, Pannella, Souchet, Turco

PPE-DE: Andria, Arvidsson, Atkins, Averoff, Avilés Perea, Ayuso González, Balfe, Banotti, Bartolozzi, Bastos, Bayona de Perogordo, Beazley, Berend, Bodrato, Bowis, Bradbourn, Bremmer, Brienza, Brok, Brunetta, Bushill-Matthews, Callanan, Camisón Asensio, Cardoso, Cederschiöld, Chichester, Cocilovo, Coelho, Corrie, Costa Raffaele, Cushnahan, Deprez, Dimitrakopoulos, Dover, Doyle, Ebner, Elles, Fatuzzo, Ferber, Fernández Martín, Ferri, Fiori, Flemming, Florenz, Folias, Foster, Friedrich, Gahler, Galeote Quecedo, García-Margallo y Marfil, García-Orcoyen Tormo, Gargani, Garriga Polledo, Gawronski, Gemelli, Gil-Robles Gil-Delgado, Goepel, Gomolka, Goodwill, Gouveia, Graça Moura, Grönfeldt Bergman, Hannan, Harbour, Hatzidakis, Heaton-Harris, Helmer, Hernández Mollar, Herranz García, Hieronymi, Inglewood, Jackson, Jarzembowski, Jeggler, Kastler, Keppelhoff-Wiechert, Khanbhai, Kirkhope, Klamt, Klafß, Koch, Konrad, Korhola, Kratsa-Tsagaropoulou, Langen, Laschet, Lechner, Lehne, Liese, Lisi, Lombardo, Lulling, McMillan-Scott, Mann Thomas, Mantovani, Marini, Marinos, Marques, Matikainen-Kallström, Mauro, Mayer Hans-Peter, Mayer Xaver, Méndez de Vigo, Menrad, Mombaur, Naranjo Escobar, Nicholson, Niebler, Nisticò, Pacheco Pereira, Pack, Parish, Pastorelli, Pérez Álvarez, Perry, Pirker, Piscarreta, Podestà, Poettering, Provan, Purvis, Quisthoudt-Rowohl, Redondo Jiménez, Ripoll y Martínez de Bedoya, Rovsing, Salafranca Sánchez-Neyra, Santini, Sartori, Scallon, Schierhuber, Schleicher, Schmitt, Schröder Jürgen, Schwaiger, Sommer, Stenmarck, Stenzel, Stevenson, Stockton, Sturdy, Sumberg, Suominen, Tajani, Tannock, Theato, Trakatellis, Twinn, Valdivielso de Cué, Van Orden, Varela Suanzes-Carpegna, van Velzen, Vidal-Quadras Roca, Villiers, Wenzel-Perillo, von Wogau, Wuermeling, Zabell, Zacharakis, Zappalà, Zimmerling, Zissener

UEN: Andrews, Berlato, Bigliardo, Camre, Collins, Crowley, Fitzsimons, Hyland, Marchiani, Muscardini, Mussa, Musumeci, Nobilia, Ó Neachtain, Pasqua, Poli Bortone, Queiró, Ribeiro e Castro, Segni, Thomas-Mauro, Turchi

Abstention: 18

EDD: Coûteaux

GUE/NGL: Blak, Krivine, Patakis, Vachetta

NI: Borghezio, Claeys, Dillen, Garaud, de Gaulle, Gobbo, Gollnisch, Lang, Martinez, Speroni, Stirbois

PPE-DE: Glase

PSE: Mann Erika

Herzog report A5-0484/2003

Amendment 87

For: 261

EDD: Abitbol, Andersen, Bernié, Bonde, Butel, Esclopé, Kuntz, Mathieu, Saint-Josse, Sandbæk

ELDR: Di Pietro, Pesälä, Pohjamo, Väyrynen, Virrankoski

GUE/NGL: Ainardi, Alavanos, Bakopoulos, Bergaz Conesa, Boudjenah, Brie, Caudron, Di Lello Finuoli, Fiebigler, Figueiredo, Frahm, Fraisse, Herzog, Jové Peres, Kaufmann, Koulourianos, Krivine, Manisco, Markov, Maset Campos, Meijer, Modrow, Naïr, Puerta, Scarbonchi, Schmid Herman, Schröder Ilka, Seppänen, Sjöstedt, Vachetta, Wurtz

NI: Berthu, Claeys, Dillen, Garaud, de Gaulle, Gollnisch, Gorostiaga Atxalandabaso, Lang, de La Perriere, Martinez, Souchet, Stirbois

PPE-DE: Garriga Polledo

PSE: Andersson, Aparicio Sánchez, Baltas, Berenguer Fuster, Berès, van den Berg, Berger, Bösch, Bowe, Bullmann, Campos, Carlotti, Casaca, Cercas, Ceyhun, Corbett, Corbey, Darras, Dehousse, De Keyser, De

Wednesday 14 January 2004

Rossa, Désir, Díez González, Dührkop Dührkop, Duhamel, Duin, El Khadraoui, Ettl, Evans Robert J.E., Färm, Fava, Ferreira, Ford, Fruteau, Garot, Gebhardt, Gill, Gillig, Glante, Goebbels, Görlach, Gröner, Guy-Quint, Hänsch, Haug, Hazan, Hedkvist Petersen, Honeyball, Howitt, Hughes, van Hulten, Hume, Iivari, Imbeni, Izquierdo Collado, Izquierdo Rojo, Jöns, Junker, Karamanou, Karlsson, Katiforis, Kefler, Kindermann, Kinnock, Koukiadis, Krehl, Kreissl-Dörfler, Kuckelkorn, Kuhne, Lage, Lalumière, Lange, Lavarra, Leinen, Linkohr, Lund, McAvan, McCarthy, McNally, Malliori, Mann Erika, Marinho, Martin David W., Martin Hans-Peter, Martínez Martínez, Mastorakis, Medina Ortega, Mendiluce Pereiro, Menéndez del Valle, Miguélez Ramos, Miller, Miranda de Lage, Moraes, Morgan, Müller, Murphy, Myller, Napoletano, O'Toole, Paasilinna, Paciotti, Patrie, Piecyk, Pittella, Poignant, Poos, Prets, Rapkay, Read, Rocard, Roth-Behrendt, Rothe, Rothley, Roure, Ruffolo, Sacconi, Sakellariou, Sandberg-Fries, dos Santos, Sauquillo Pérez del Arco, Savary, Scheele, Schmid Gerhard, Schulz, Simpson, Soares, Sornosa Martínez, Souladakis, Sousa Pinto, Stihler, Stockmann, Swiebel, Swoboda, Theorin, Thorning-Schmidt, Titley, Torres Marques, Vairinhos, Van Lancker, Volcic, Walter, Watts, Weiler, Whitehead, Wiersma, Wynn, Zorba, Zrihen

UEN: Berlato, Bigliardo, Marchiani, Muscardini, Mussa, Musumeci, Nobilia, Pasqua, Poli Bortone, Ribeiro e Castro, Segni, Thomas-Mauro, Turchi

Verts/ALE: Aaltonen, Ahern, Auroi, Boumediene-Thiery, Bouwman, Breyer, Buitenweg, Celli, Cohn-Bendit, Dhaene, Echerer, Evans Jillian, Ferrández Lezaun, Flautre, Frassoni, Gahrton, Graefe zu Baringdorf, Hudghton, Isler Béguin, Jonckheer, Lagendijk, Lambert, Lannoye, Lipietz, Lucas, MacCormick, McKenna, Maes, Mayol i Raynal, Onesta, Piétrasanta, Rod, de Roo, Rühle, Schörling, Schroedter, Sørensen, Turmes, Voggenhuber, Wuori, Wyn

Against: 261

EDD: Belder, Blokland, Booth, van Dam, Farage, Titford

ELDR: Andreasen, André-Léonard, Attwooll, Busk, Calò, Clegg, Costa Paolo, Davies, De Clercq, Duff, Dybkjær, Fleisch, Formentini, Gasòliba i Böhm, Huhne, Jensen, Ludford, Lynne, Maaten, Malmström, Manders, Martelli, Monsonís Domingo, Mulder, Newton Dunn, Nordmann, Olsson, Paulsen, Procacci, Ries, Riis-Jørgensen, Rutelli, Sbarbati, Schmidt, Sterckx, Sørensen, Thors, Vallvé, Van Hecke, Vermeer, Wallis, Watson

NI: Beysen, Cappato, Della Vedova, Dupuis, Hager, Ilgenfritz, Paisley, Pannella, Turco

PPE-DE: Almeida Garrett, Arvidsson, Atkins, Averoff, Avilés Perea, Ayuso González, Balfe, Banotti, Bartolozzi, Bastos, Bayona de Perogordo, Beazley, Bébear, Berend, Bodrato, Böge, von Boetticher, Bourlanges, Bowis, Bradbourn, Bremmer, Brienza, Brok, Brunetta, Bushill-Matthews, Callanan, Camisón Asensio, Cardoso, Cederschiöld, Chichester, Cocilovo, Coelho, Cornillet, Costa Raffaele, Cushnahan, Daul, Deprez, Descamps, De Veyrac, Dimitrakopoulos, Dover, Doyle, Ebner, Elles, Fatuzzo, Ferber, Fernández Martín, Ferrer, Ferri, Fiori, Flemming, Florenz, Folias, Fourtou, Friedrich, Gahler, Galeote Quecedo, García-Margallo y Marfil, García-Orcoyen Tormo, Gargani, Gawronski, Gemelli, Gil-Robles Gil-Delgado, Glase, Goepel, Gomolka, Goodwill, Gouveia, Graça Moura, Grönfeldt Bergman, Grosch, Grossetête, Hannan, Hansenne, Harbour, Hatzidakis, Heaton-Harris, Helmer, Hermange, Hernández Mollar, Herranz García, Hieronymi, Inglewood, Jackson, Jarzembowski, Jeggler, Karas, Kastler, Keppelhoff-Wiechert, Khanbhai, Kirkhope, Klamt, Klaß, Koch, Konrad, Korhola, Kratsa-Tsagaropoulou, Lamassoure, Langen, Laschet, Lechner, Lehne, Liese, Lisi, Lombardo, Lulling, Maat, McCartin, McMillan-Scott, Mann Thomas, Mantovani, Marini, Marinos, Marques, Martens, Matikainen-Kallström, Mauro, Mayer Hans-Peter, Mayer Xaver, Méndez de Vigo, Menrad, Mombaur, Morillon, Musotto, Naranjo Escobar, Nicholson, Niebler, Nisticò, Oomen-Ruijten, Oreja Arburúa, Pacheco Pereira, Pack, Parish, Pastorelli, Pérez Álvarez, Perry, Pex, Pirker, Píscarreta, Podestà, Poettering, Posselt, Pronk, Provan, Purvis, Quisthoudt-Rowohl, Radwan, Redondo Jiménez, Ripoll y Martínez de Bedoya, Rovsing, Rübig, Sacrédeus, Salafranca Sánchez-Neyra, Santer, Santini, Sartori, Scallon, Schaffner, Schierhuber, Schleicher, Schmitt, Schröder Jürgen, Schwaiger, Smet, Sommer, Stenmarck, Stenzel, Stevenson, Stockton, Sturdy, Sudre, Sumberg, Suominen, Tajani, Tannock, Theato, Thyssen, Trakatellis, Twinn, Valdivielso de Cué, Van Orden, Varela Suanzes-Carpegna, van Velzen, de Veyrinas, Vidal-Quadras Roca, Villiers, Vlasto, Wenzel-Perillo, Wijkman, von Wogau, Wiermeling, Zabell, Zacharakis, Zappalà, Zimmerling, Zissener

UEN: Andrews, Camre, Collins, Crowley, Fitzsimons, Hyland, Ó Neachtain, Queiró

Wednesday 14 January 2004

Abstention: 9**EDD:** Coûteaux**GUE/NGL:** Blak, Patakis**NI:** Borghezio, Gobbo, Kronberger, Speroni**PPE-DE:** Andria**PSE:** Skinner**Herzog report A5-0484/2003****Amendment 29****For: 465****EDD:** Abitbol, Andersen, Bernié, Butel, Esclopé, Kuntz, Mathieu, Saint-Josse, Sandbæk**ELDR:** Andreasen, André-Léonard, Attwooll, Busk, Clegg, Costa Paolo, Davies, De Clercq, Di Pietro, Duff, Dybkjær, Fleisch, Formentini, Gasòliba i Böhm, Huhne, Jensen, Ludford, Lynne, Maaten, Malmström, Manders, Martelli, Monsonís Domingo, Mulder, Newton Dunn, Nordmann, Olsson, Paulsen, Pesälä, Plooijs-van Gorsel, Pohjamo, Procacci, Ries, Riis-Jørgensen, Rutelli, Schmidt, Sterckx, Sørensen, Thors, Väyrynen, Vallvé, Van Hecke, Vermeer, Virrankoski, Wallis, Watson**GUE/NGL:** Ainardi, Alavanos, Bakopoulos, Bergaz Conesa, Blak, Boudjenah, Brie, Caudron, Di Lello Finuoli, Fiebiger, Figueiredo, Fraisse, Herzog, Jové Peres, Kaufmann, Koulourianos, Manisco, Markov, Marset Campos, Meijer, Modrow, Nair, Puerta, Scarbonchi, Schröder Ilka**NI:** Beysen, Bonino, Borghezio, Cappato, Della Vedova, Dupuis, Garaud, Gobbo, Gorostiaga Atxalandabaso, Ilgenfritz, Kronberger, de La Perriere, Pannella, Speroni, Turco**PPE-DE:** Almeida Garrett, Andria, Arvidsson, Atkins, Averoff, Avilés Perea, Ayuso González, Balfe, Banotti, Bartolozzi, Bastos, Bayona de Perogordo, Beazley, Bébéar, Berend, Bodrato, Böge, von Boetticher, Bourlanges, Bowis, Bradbourn, Bremmer, Brienza, Brok, Brunetta, Bushill-Matthews, Callanan, Camisón Asensio, Cardoso, Cederschiöld, Chichester, Coelho, Cornillet, Corrie, Costa Raffaele, Cushnahan, Daul, Deprez, Descamps, De Veyrac, Dimitrakopoulos, Dover, Doyle, Ebner, Elles, Fatuzzo, Ferber, Fernández Martín, Ferrer, Ferri, Fiori, Flemming, Florenz, Folias, Foster, Fourtoul, Friedrich, Gahler, Galeote Quecedo, García-Margallo y Marfil, García-Orcyoyen Tormo, Gargani, Garriga Polledo, Gemelli, Gil-Robles Gil-Delgado, Glase, Goepel, Gomolka, Goodwill, Gouveia, Graça Moura, Grönfeldt Bergman, Grosch, Grossetête, Hannan, Hansenne, Harbour, Hatzidakis, Heaton-Harris, Helmer, Hermange, Hernández Mollar, Herranz García, Hieronymi, Inglewood, Jackson, Jarzembowski, Jeggler, Karas, Kastler, Keppelhoff-Wiechert, Khanbhai, Kirkhope, Klamt, Klab, Koch, Konrad, Korhola, Kratsa-Tsagaropoulou, Lamassoure, Langen, Laschet, Lechner, Lehne, Liese, Lisi, Lombardo, Lulling, Maat, McCartin, McMillan-Scott, Mann Thomas, Mantovani, Marini, Marinos, Marques, Martens, Matikainen-Kallström, Mauro, Mayer Hans-Peter, Mayer Xaver, Méndez de Vigo, Menrad, Mombaur, Morillon, Musotto, Naranjo Escobar, Nicholson, Niebler, Nisticò, Oomen-Ruijten, Oreja Arburúa, Pacheco Pereira, Pack, Parish, Pastorelli, Pérez Álvarez, Perry, Pex, Pirker, Píscarreta, Podestà, Poettering, Posselt, Pronk, Provan, Purvis, Quisthoudt-Rowohl, Radwan, Redondo Jiménez, Ripoll y Martínez de Bedoya, Rovsing, Rübig, Sacrédeus, Salafranca Sánchez-Neyra, Santer, Santini, Sartori, Scallon, Schaffner, Schierhuber, Schleicher, Schmitt, Schröder Jürgen, Schwaiger, Smet, Sommer, Stenmarck, Stenzel, Stevenson, Stockton, Sturdy, Sudre, Suominen, Tajani, Tannock, Theato, Thyssen, Trakatellis, Twinn, Valdivielso de Cué, Van Orden, Varela Suanzes-Carpegna, van Velzen, de Veyrinas, Vidal-Quadras Roca, Villiers, Vlasto, Wijkman, von Wogau, Wiermeling, Zabell, Zacharakis, Zappalà, Zimmerling, Zissener**PSE:** Andersson, Aparicio Sánchez, Baltas, Berenguer Fuster, Berès, van den Berg, Berger, Bösch, Bowe, Bullmann, Campos, Carlotti, Casaca, Cercas, Ceyhun, Corbett, Corbey, Darras, Dehousse, De Keyser, De Rosa, Désir, Díez González, Dührkop Dührkop, Duhamel, Duin, El Khadraoui, Evans Robert J.E., Färm, Fava, Ford, Fruteau, Garot, Gebhardt, Gill, Gillig, Glante, Goebbels, Görlach, Gröner, Guy-Quint, Hänsch, Haug, Hazan, Hedkvist Petersen, Honeyball, Howitt, Hughes, van Hulten, Hume, Iivari, Imbeni, Izquierdo Collado, Izquierdo Rojo, Jöns, Junker, Karamanou, Katiforis, Kessler, Kindermann, Kinnock, Koukiadis, Krehl, Kreissl-Dörfler, Kuckelkorn, Kuhne, Lage, Lalumière, Lange, Lavarra, Leinen, Linkohr, Lund, McAvan, McCarthy, McNally, Malliori, Mann Erika, Marinho, Martin David W., Martin Hans-Peter,

Wednesday 14 January 2004

Martínez Martínez, Mastorakis, Medina Ortega, Mendiluce Pereiro, Menéndez del Valle, Miguélez Ramos, Miller, Miranda de Lage, Moraes, Morgan, Müller, Murphy, Myller, Napoletano, O'Toole, Paasilinna, Paciotti, Patrie, Piecyk, Pittella, Poignant, Poos, Prets, Rapkay, Read, Rocard, Roth-Behrendt, Rothe, Rothley, Roure, Ruffolo, Sacconi, Sakellariou, Sandberg-Fries, Sauquillo Pérez del Arco, Savary, Scheele, Schmid Gerhard, Schulz, Simpson, Skinner, Soares, Sornosa Martínez, Souladakis, Sousa Pinto, Stihler, Stockmann, Swibel, Swoboda, Theorin, Thorning-Schmidt, Torres Marques, Vairinhos, Van Lancker, Walter, Watts, Weiler, Whitehead, Wiersma, Wynn, Zorba, Zrihen

UEN: Berlato, Bigliardo, Marchiani, Muscardini, Mussa, Musumeci, Nobilia, Pasqua, Poli Bortone, Ribeiro e Castro, Segni, Turchi

Verts/ALE: Bouwman, Celli, Cohn-Bendit, Echerer, Ferrández Lezaun, Graefe zu Baringdorf, Lannoye, Lipietz, MacCormick, Mayol i Raynal, Onesta, de Roo, Rühle, Schroedter, Sörensen, Turmes, Voggenhuber, Wuori, Wyn

Against: 22

EDD: Belder, Blokland, Booth, van Dam, Farage, Titford

GUE/NGL: Frahm, Schmid Herman, Seppänen, Sjöstedt

NI: Hager

PPE-DE: Wenzel-Perillo

UEN: Andrews, Camre, Collins, Crowley, Fitzsimons, Hyland, Ó Neachtain, Queiró, Thomas-Mauro

Verts/ALE: Buitenweg

Abstention: 32

EDD: Coûteaux

GUE/NGL: Patakis, Vachetta

NI: Berthu, Claeys, Dillen, de Gaulle, Gollnisch, Lang, Martinez, Souchet, Stirbois

Verts/ALE: Aaltonen, Ahern, Auroi, Boumediene-Thiery, Breyer, Dhaene, Evans Jillian, Flautre, Frassoni, Gahrton, Hudghton, Isler Béguin, Jonckheer, Lagendijk, Lambert, Lucas, McKenna, Maes, Piétrasanta, Rod

Herzog report A5-0484/2003

Amendment 47

For: 158

EDD: Abitbol, Andersen, Belder, Bernié, Blokland, Bonde, Butel, Coûteaux, van Dam, Esclopé, Kuntz, Mathieu, Saint-Josse, Sandbæk

ELDR: Väyrynen

GUE/NGL: Ainardi, Alavanos, Bakopoulos, Bergaz Conesa, Bordes, Boudjenah, Brie, Caudron, Cauquil, Di Lello Finuoli, Fiebiger, Figueiredo, Frahm, Fraisse, Herzog, Jové Peres, Kaufmann, Koulourianos, Krivine, Laguiller, Manisco, Markov, Marset Campos, Meijer, Modrow, Nair, Patakis, Puerta, Scarbonchi, Schmid Herman, Schröder Ilka, Seppänen, Sjöstedt, Vachetta, Wurtz

NI: Berthu, Borghezio, Claeys, Dillen, Garaud, de Gaulle, Gobbo, Gollnisch, Gorostiaga Atxalandabaso, Kronberger, Lang, de La Perriere, Martinez, Paisley, Souchet, Speroni, Stirbois

PSE: Berès, Berger, Bösch, Campos, Carlotti, Casaca, Ceyhun, Darras, Dehousse, De Keyser, Désir, Duhamel, El Khadraoui, Ettl, Fava, Ferreira, Fruteau, Garot, Gillig, Guy-Quint, Hazan, Kuckelkorn, Lalumière, Martin Hans-Peter, Moraes, Paasilinna, Patrie, Piecyk, Poignant, Rocard, Roure, Savary, Scheele, Swoboda, Thorning-Schmidt, Vairinhos, Van Lancker, Zrihen

Wednesday 14 January 2004

UEN: Berlato, Bigliardo, Muscardini, Mussa, Musumeci, Nobilia, Pasqua, Poli Bortone, Ribeiro e Castro, Segni, Thomas-Mauro, Turchi

Verts/ALE: Aaltonen, Ahern, Auroi, Boumediene-Thiery, Bouwman, Breyer, Buitenweg, Celli, Cohn-Bendit, Dhaene, Echerer, Evans Jillian, Ferrández Lezaun, Flautre, Frassoni, Gahrton, Graefe zu Baringdorf, Hudghton, Işler Béguin, Jonckheer, Lagendijk, Lambert, Lannoye, Lipietz, Lucas, MacCormick, McKenna, Maes, Mayol i Raynal, Onesta, Piétrasanta, Rod, de Roo, Rühle, Schörling, Schroedter, Sørensen, Turmes, Voggenhuber, Wuori, Wyn

Against: 373

EDD: Booth, Farage, Titford

ELDR: Andreasen, André-Léonard, Attwooll, Busk, Calò, Clegg, Davies, De Clercq, Di Pietro, Duff, Dybkjær, Flesch, Formentini, Gasòliba i Böhm, Huhne, Jensen, Ludford, Lynne, Maaten, Manders, Martelli, Monsonís Domingo, Mulder, Newton Dunn, Nordmann, Olsson, Paulsen, Pesälä, Plooij-van Gorsel, Pohjamo, Procacci, Ries, Riis-Jørgensen, Rutelli, Sbarbati, Schmidt, Sterckx, Sørensen, Thors, Vallvé, Van Hecke, Vermeer, Virrankoski, Wallis, Watson

NI: Beysen, Bonino, Cappato, Della Vedova, Dupuis, Hager, Ilgenfritz, Pannella, Turco

PPE-DE: Almeida Garrett, Andria, Arvidsson, Atkins, Averoff, Avilés Perea, Ayuso González, Balfe, Banotti, Bartolozzi, Bastos, Bayona de Perogordo, Beazley, Bébéar, Berend, Bodrato, Böge, von Boetticher, Bourlanges, Bowis, Bradbourn, Bremmer, Brienza, Brok, Brunetta, Bushill-Matthews, Callanan, Camisón Asensio, Cardoso, Cederschiöld, Chichester, Coelho, Cornillet, Corrie, Costa Raffaele, Cushnahan, Daul, Deprez, Descamps, De Veyrac, Dimitrakopoulos, Dover, Doyle, Ebner, Elles, Fatuzzo, Ferber, Fernández Martín, Ferrer, Ferri, Fiori, Flemming, Florenz, Folias, Foster, Fourtoul, Friedrich, Gähler, Galeote Quecedo, García-Margallo y Marfil, García-Orcoyen Tormo, Gargani, Garriga Polledo, Gawronski, Gemelli, Gil-Robles Gil-Delgado, Glase, Goepel, Gomolka, Goodwill, Gouveia, Graça Moura, Grönfeldt Bergman, Grosch, Grossetête, Hannan, Hansenne, Harbour, Hatzidakis, Heaton-Harris, Helmer, Hermange, Hernández Mollar, Herranz García, Hieronymi, Inglewood, Jackson, Jarzembowski, Jeggel, Karas, Kastler, Keppelhoff-Wiechert, Khanbhai, Kirkhope, Klamt, Klauf, Koch, Konrad, Korhola, Kratsa-Tsagaropoulou, Lamassoure, Langen, Laschet, Lechner, Lehne, Liese, Lisi, Lombardo, Lulling, Maat, McCartin, McMillan-Scott, Mann Thomas, Mantovani, Marini, Marinos, Marques, Martens, Matikainen-Kallström, Mauro, Mayer Hans-Peter, Mayer Xaver, Méndez de Vigo, Menrad, Mombaur, Morillon, Musotto, Naranjo Escobar, Nicholson, Niebler, Nisticò, Oomen-Ruijten, Oreja Arburúa, Pacheco Pereira, Pack, Parish, Pastorelli, Pérez Álvarez, Perry, Pex, Pirker, Píscarreta, Podestà, Poettering, Posselt, Pronk, Provan, Purvis, Quisthoudt-Rowohl, Radwan, Redondo Jiménez, Ripoll y Martínez de Bedoya, Rovsing, Rübig, Sacrédeus, Salafranca Sánchez-Neyra, Santer, Santini, Sartori, Scallon, Schaffner, Schierhuber, Schleicher, Schmitt, Schröder Jürgen, Schwaiger, Smet, Sommer, Stenmarck, Stenzel, Stevenson, Stockton, Sturdy, Sudre, Sunberg, Suominen, Tajani, Tannock, Theato, Thyssen, Trakatellis, Twinn, Valdivielso de Cué, Van Orden, Varela Suanzes-Carpegna, van Velzen, de Veyrinas, Vidal-Quadras Roca, Villiers, Vlasto, Wenzel-Perillo, Wijkman, von Wogau, Wurmeling, Zabell, Zacharakis, Zappalà, Zimmerling, Zissener

PSE: Andersson, Aparicio Sánchez, Baltas, Berenguer Fuster, van den Berg, Bowe, Cercas, Corbett, Corbey, De Rossa, Díez González, Dührkop Dührkop, Duin, Evans Robert J.E., Färm, Ford, Gebhardt, Gill, Glante, Goebbels, Görlach, Gröner, Hänsch, Haug, Hedkvist Petersen, Honeyball, Howitt, Hughes, van Hulst, Hume, Iivari, Imbeni, Izquierdo Collado, Izquierdo Rojo, Jöns, Junker, Karamanou, Karlsson, Katiforis, Keßler, Kindermann, Kinnock, Koukiadis, Krehl, Kreissl-Dörfler, Kuhne, Lage, Lange, Lavarra, Leinen, Linkohr, Lund, McAvan, McCarthy, McNally, Malliori, Mann Erika, Marinho, Martin David W., Martínez Martínez, Mastorakis, Medina Ortega, Menéndez del Valle, Miguélez Ramos, Miller, Miranda de Lage, Morgan, Müller, Murphy, Myller, Napoletano, O'Toole, Paciotti, Pittella, Poos, Prets, Read, Roth-Behrendt, Rothe, Rothley, Ruffolo, Sacconi, Sakellariou, Sandberg-Fries, dos Santos, Sauquillo Pérez del Arco, Schmid Gerhard, Schulz, Simpson, Skinner, Soares, Sornosa Martínez, Souladakis, Sousa Pinto, Stihler, Stockmann, Swiebel, Theorin, Titley, Torres Marques, Volcic, Walter, Watts, Weiler, Whitehead, Wiersma, Wynn, Zorba

UEN: Andrews, Camre, Collins, Crowley, Fitzsimons, Hyland, Marchiani, Ó Neachtain, Queiró

Abstention: 1

GUE/NGL: Blak

Wednesday 14 January 2004

Herzog report A5-0484/2003

Paragraph 32

For: 407

EDD: Abitbol, Belder, Bernié, Blokland, Booth, Butel, Coûteaux, van Dam, Esclopé, Farage, Kuntz, Mathieu, Saint-Josse, Titford

ELDR: Andreasen, André-Léonard, Attwooll, Busk, Calò, Clegg, Davies, De Clercq, Di Pietro, Duff, Dybkjær, Gasòliba i Böhm, Huhne, Jensen, Ludford, Lynne, Maaten, Malmström, Manders, Martelli, Monsonís Domingo, Mulder, Newton Dunn, Nordmann, Olsson, Paulsen, Pesälä, Plooij-van Gorsel, Pohjamo, Procacci, Ries, Riis-Jørgensen, Rutelli, Schmidt, Sterckx, Sørensen, Thors, Väyrynen, Vallvé, Van Hecke, Vermeer, Virrankoski, Wallis, Watson

GUE/NGL: Blak

NI: Beysen, Bonino, Borghezio, Cappato, Della Vedova, Dupuis, Gobbo, Hager, Ilgenfritz, Kronberger, Paisley, Pannella, Speroni, Turco

PPE-DE: Almeida Garrett, Andria, Arvidsson, Atkins, Averoff, Avilés Perea, Ayuso González, Balfé, Banotti, Bartolozzi, Bastos, Bayona de Perogordo, Beazley, Bébéar, Berend, Bodrato, Böge, von Boetticher, Bourlanges, Bowis, Bradbourn, Bremmer, Brienza, Brok, Brunetta, Bushill-Matthews, Callanan, Camisón Asensio, Cardoso, Cederschiöld, Chichester, Cocilovo, Coelho, Cornillet, Corrie, Costa Raffaele, Cushnahan, Daul, Deprez, Descamps, De Veyrac, Dimitrakopoulos, Dover, Doyle, Ebner, Elles, Fatuzzo, Ferber, Fernández Martín, Ferrer, Ferri, Fiori, Flemming, Florenz, Folias, Foster, Fourtou, Friedrich, Gahler, Galeote Quecedo, García-Margallo y Marfil, García-Orcoyen Tormo, Gargani, Garriga Polledo, Gawronski, Gemelli, Gil-Robles Gil-Delgado, Glase, Goepel, Gomolka, Gouveia, Graça Moura, Grönfeldt Bergman, Grosch, Grossetête, Hannan, Hansenne, Harbour, Hatzidakis, Heaton-Harris, Helmer, Hermange, Hernández Mollar, Herranz García, Hieronymi, Inglewood, Jackson, Jarzembowski, Jeggler, Karas, Kastler, Keppelhoff-Wiechert, Khanbhai, Kirkhope, Klamt, Klauf, Koch, Konrad, Korhola, Kratsa-Tsagaropoulou, Lamassoure, Laschet, Lechner, Lehne, Liese, Lisi, Lombardo, Lulling, Maat, McCartin, McMillan-Scott, Mann Thomas, Mantovani, Marini, Marinos, Marques, Martens, Matikainen-Kallström, Mauro, Mayer Hans-Peter, Mayer Xaver, Méndez de Vigo, Menrad, Mombaur, Morillon, Musotto, Naranjo Escobar, Nicholson, Niebler, Nisticò, Oomen-Ruijten, Oreja Arburúa, Pacheco Pereira, Pack, Parish, Pastorelli, Pérez Álvarez, Perry, Pex, Pirker, Piscarreta, Podestà, Poettering, Posselt, Pronk, Provan, Purvis, Quisthoudt-Rowohl, Radwan, Redondo Jiménez, Ripoll y Martínez de Bedoya, Røvsing, Rübig, Sacrédeus, Salafranca Sánchez-Neyra, Santer, Santini, Sartori, Scallon, Schaffner, Schierhuber, Schleicher, Schmitt, Schröder Jürgen, Schwaiger, Smet, Sommer, Stenmarck, Stenzel, Stevenson, Stockton, Sturdy, Sudre, Sumberg, Suominen, Tajani, Tannock, Theato, Thyssen, Trakatellis, Twinn, Valdivielso de Cué, Van Orden, Varela Suanzes-Carpegna, van Velzen, de Veyrinas, Vidal-Quadras Roca, Villiers, Vlasto, Wenzel-Perillo, Wijkman, von Wogau, Wuermeling, Zabell, Zacharakis, Zappalà, Zimmerling, Zissener

PSE: Andersson, Aparicio Sánchez, Baltas, Berenguer Fuster, Berès, van den Berg, Berger, Bösch, Bowe, Bullmann, Campos, Carlotti, Casaca, Cercas, Ceyhun, Corbett, Corbey, De Rossa, Díez González, Dührkop Dührkop, Duhamel, Duin, Ettl, Evans Robert J.E., Färm, Fava, Ford, Garot, Gebhardt, Gill, Glante, Goebbels, Görlach, Gröner, Guy-Quint, Hänsch, Haug, Hazan, Hedkvist Petersen, Honeyball, Howitt, Hughes, van Hulten, Hume, Iivari, Imbeni, Izquierdo Collado, Izquierdo Rojo, Jöns, Junker, Karamanou, Karlsson, Katiforis, Keßler, Kindermann, Kinnock, Koukiadis, Krehl, Kreissl-Dörfler, Kuckelkorn, Kuhne, Lage, Lalumière, Lange, Lavarra, Leinen, Linkohr, Lund, McAvan, McCarthy, McNally, Malliori, Mann Erika, Marinho, Martin David W., Martin Hans-Peter, Martínez Martínez, Mastorakis, Medina Ortega, Mendiluce Pereiro, Menéndez del Valle, Miguélez Ramos, Miller, Miranda de Lage, Moraes, Morgan, Müller, Murphy, Myller, Napolitano, O'Toole, Paasilinna, Paciotti, Piecyk, Pittella, Poos, Prets, Rapkay, Read, Roth-Behrendt, Rothe, Rothley, Ruffolo, Sacconi, Sakellariou, Sandberg-Fries, dos Santos, Sauquillo Pérez del Arco, Schmid Gerhard, Schulz, Simpson, Skinner, Soares, Sornosa Martínez, Souladakis, Sousa Pinto, Stihler, Stockmann, Swiebel, Swoboda, Theorin, Thorning-Schmidt, Titley, Torres Marques, Volcic, Walter, Watts, Weiler, Whitehead, Wiersma, Wynn, Zorba

UEN: Berlato, Poli Bortone, Segni, Thomas-Mauro

Against: 108

EDD: Andersen, Bonde, Sandbæk

ELDR: Formentini, Sbarbati

Wednesday 14 January 2004

GUE/NGL: Ainardi, Alavanos, Bakopoulos, Bergaz Conesa, Bordes, Boudjenah, Brie, Caudron, Cauquil, Di Lello Finuoli, Fiebigler, Figueiredo, Frahm, Fraisse, Herzog, Jové Peres, Kaufmann, Koulourianos, Krivine, Laguiller, Manisco, Markov, Marset Campos, Meijer, Modrow, Nair, Patakis, Puerta, Scarbonchi, Schröder Ilka, Seppänen, Vachetta, Wurtz

NI: Claeys, Dillen, de Gaulle, Gollnisch, Gorostiaga Atxalandabaso, Lang, Martinez, Stirbois

PPE-DE: Goodwill, Langen

PSE: Darras, Dehousse, De Keyser, Désir, El Khadraoui, Ferreira, Fruteau, Gillig, Patrie, Poignant, Rocard, Roure, Savary, Scheele, Vairinhos, Van Lancker, Zrihen

UEN: Camre, Queiró

Verts/ALE: Aaltonen, Ahern, Auroi, Boumediene-Thiery, Bouwman, Breyer, Buitenweg, Celli, Cohn-Bendit, Dhaene, Echerer, Evans Jillian, Ferrández Lezaun, Flautre, Frassoni, Gahrton, Graefe zu Baringdorf, Hudghton, Isler Béguin, Jonckheer, Lagendijk, Lambert, Lannoye, Lipietz, Lucas, McCormick, McKenna, Maes, Mayol i Raynal, Onesta, Piétrasanta, Rod, de Roo, Rühle, Schörling, Schroedter, Sörensen, Turmes, Voggenhuber, Wuori, Wyn

Abstention: 21

ELDR: Flesch

GUE/NGL: Schmid Herman, Sjöstedt

NI: Berthu, Garaud, de La Perriere, Souchet

UEN: Andrews, Bigliardo, Collins, Crowley, Fitzsimons, Hyland, Muscardini, Mussa, Musumeci, Nobilia, Ó Neachtain, Pasqua, Ribeiro e Castro, Turchi

Herzog report A5-0484/2003

Amendment 92

For: 128

EDD: Abitbol, Bernié, Butel, Esclopé, Kuntz, Mathieu, Saint-Josse

ELDR: Nordmann, Thors

GUE/NGL: Ainardi, Alavanos, Bakopoulos, Bergaz Conesa, Blak, Boudjenah, Brie, Caudron, Di Lello Finuoli, Fiebigler, Figueiredo, Fraisse, Herzog, Jové Peres, Kaufmann, Koulourianos, Krivine, Manisco, Markov, Marset Campos, Meijer, Modrow, Nair, Patakis, Puerta, Scarbonchi, Schröder Ilka, Vachetta, Wurtz

NI: Gorostiaga Atxalandabaso, de La Perriere

PPE-DE: Daul, Descamps, De Veyrac, Fatuzzo, Fourtou, Grossetête, Hermange, Lamassoure, Liese, McCartin, Morillon, Pomés Ruiz, Schaffner, Smet, Sudre, Thyssen, de Veyrinas, Vlasto

PSE: Berès, Berger, Bösch, Carlotti, Darras, Dehousse, De Keyser, Désir, Duhamel, El Khadraoui, Ettl, Fava, Ferreira, Fruteau, Garot, Gillig, Guy-Quint, Hazan, Lalumière, Marinho, Martin Hans-Peter, Patrie, Piecyk, Poignant, Prets, Rocard, Roure, Savary, Scheele, Swoboda, Vairinhos, Van Lancker, Zrihen

UEN: Berlato, Bigliardo, Muscardini, Mussa, Musumeci, Nobilia, Pasqua, Poli Bortone, Ribeiro e Castro, Segni, Thomas-Mauro, Turchi

Verts/ALE: Auroi, Boumediene-Thiery, Bouwman, Celli, Cohn-Bendit, Dhaene, Echerer, Ferrández Lezaun, Flautre, Graefe zu Baringdorf, Isler Béguin, Jonckheer, Lannoye, Lipietz, McKenna, Mayol i Raynal, Onesta, Piétrasanta, Rod, de Roo, Schörling, Sörensen, Turmes, Voggenhuber, Wuori

Against: 375

EDD: Belder, Blokland, Booth, van Dam, Farage, Titford

Wednesday 14 January 2004

ELDR: Andreasen, Attwooll, Busk, Calò, Clegg, Costa Paolo, Davies, De Clercq, Di Pietro, Duff, Dybkjær, Flesch, Formentini, Gasòliba i Böhm, Huhne, Jensen, Ludford, Lynne, Maaten, Malmström, Manders, Monsonís Domingo, Mulder, Newton Dunn, Olsson, Paulsen, Pesälä, Plooi-j-van Gorsel, Pohjamo, Procacci, Ries, Riis-Jørgensen, Rutelli, Sbarbati, Schmidt, Sterckx, Sørensen, Väyrynen, Vallvé, Van Hecke, Vermeer, Virrankoski, Wallis, Watson

NI: Berthu, Beysen, Bonino, Borghezio, Cappato, Claeys, Della Vedova, Dillen, Dupuis, Garaud, de Gaulle, Gobbo, Gollnisch, Hager, Ilgenfritz, Lang, Martinez, Paisley, Pannella, Souchet, Speroni, Stirbois, Turco

PPE-DE: Almeida Garrett, Arvidsson, Atkins, Averoff, Avilés Perea, Ayuso González, Balfe, Banotti, Bartolozzi, Bastos, Bayona de Perogordo, Beazley, Bébéar, Berend, Bodrato, Böge, von Boetticher, Bourlanges, Bowis, Bradbourn, Bremmer, Brienza, Brok, Brunetta, Bushill-Matthews, Callanan, Camisón Asensio, Cardoso, Cederschiöld, Chichester, Cocilovo, Coelho, Cornillet, Corrie, Costa Raffaele, Cushnahan, Deprez, Dimitrakopoulos, Dover, Doyle, Ebner, Elles, Ferber, Fernández Martín, Ferrer, Ferri, Fiori, Flemming, Folias, Foster, Friedrich, Gahler, Galeote Quecedo, García-Orcoyen Tormo, Gargani, Garriga Polledo, Gawronski, Gemelli, Gil-Robles Gil-Delgado, Glase, Goepel, Gomolka, Goodwill, Gouveia, Graça Moura, Grönfeldt Bergman, Grosch, Hannan, Hansenne, Harbour, Hatzidakis, Heaton-Harris, Helmer, Hernández Mollar, Herranz García, Hieronymi, Inglewood, Jackson, Jarzembowski, Jeggle, Karas, Kastler, Keppelhoff-Wiechert, Khanbhai, Kirkhope, Klamt, Klaß, Koch, Konrad, Kratsa-Tsagaropoulou, Langen, Laschet, Lechner, Lehne, Lisi, Lombardo, Lulling, Maat, McMillan-Scott, Mann Thomas, Mantovani, Marini, Marinos, Marques, Martens, Matikainen-Kallström, Mauro, Mayer Hans-Peter, Mayer Xaver, Méndez de Vigo, Menrad, Mombaur, Musotto, Naranjo Escobar, Nicholson, Niebler, Nisticò, Oomen-Ruijten, Oreja Arburúa, Pacheco Pereira, Pack, Parish, Pastorelli, Pérez Álvarez, Perry, Pex, Pirker, Piscarreta, Podestà, Poettering, Posselt, Pronk, Purvis, Quisthoudt-Rowohl, Radwan, Redondo Jiménez, Ripoll y Martínez de Bedoya, Røvsing, Rübig, Sacrédeus, Salafrañca Sánchez-Neyra, Santer, Santini, Sartori, Scallan, Schleicher, Schmitt, Schröder Jürgen, Schwaiger, Sommer, Stenmarck, Stenzel, Stevenson, Stockton, Sturdy, Sumberg, Suominen, Tajani, Tannock, Theato, Trakatellis, Twinn, Valdivielso de Cué, Van Orden, Varela Suanzes-Carpegna, van Velzen, Vidal-Quadras Roca, Villiers, Wenzel-Perillo, Wijkman, von Wogau, Wuermeling, Zabell, Zacharakis, Zappalà, Zimmerling, Zissener

PSE: Andersson, Aparicio Sánchez, Baltas, Berenguer Fuster, van den Berg, Bowe, Bullmann, Campos, Casaca, Cercas, Ceyhun, Corbett, Corbey, De Rossa, Díez González, Dührkop Dührkop, Duin, Evans Robert J.E., Färm, Ford, Gebhardt, Gill, Glante, Goebbels, Görlach, Gröner, Hänsch, Haug, Hedkvist Petersen, Honeyball, Howitt, Hughes, van Hulst, Hume, Iivari, Imbeni, Izquierdo Collado, Izquierdo Rojo, Jöns, Junker, Karamanou, Karlsson, Katiforis, Keßler, Kindermann, Kinnock, Koukiadis, Krehl, Kreissl-Dörfler, Kuckelkorn, Kuhne, Lage, Lange, Lavarra, Leinen, Linkohr, Lund, McAvan, McCarthy, McNally, Malliori, Mann Erika, Martin David W., Martínez Martínez, Mastorakis, Medina Ortega, Mendiluce Pereiro, Menéndez del Valle, Miguélez Ramos, Miller, Miranda de Lage, Moraes, Morgan, Müller, Murphy, Myller, Napoletano, O'Toole, Paasilinna, Paciotti, Pittella, Poos, Rapkay, Read, Roth-Behrendt, Rothe, Rothley, Ruffolo, Sacconi, Sakellariou, Sandberg-Fries, dos Santos, Sauquillo Pérez del Arco, Schmid Gerhard, Schulz, Simpson, Skinner, Soares, Sornosa Martínez, Souladakis, Sousa Pinto, Stihler, Stockmann, Swiebel, Theorin, Thorning-Schmidt, Titley, Torres Marques, Volcic, Walter, Watts, Weiler, Whitehead, Wiersma, Wynn, Zorba

UEN: Andrews, Camre, Collins, Crowley, Fitzsimons, Hyland, Marchiani, Ó Neachtain, Queiró

Abstention: 27

EDD: Andersen, Bonde, Sandbæk

ELDR: André-Léonard

GUE/NGL: Frahm, Schmid Herman, Seppänen, Sjöstedt

NI: Kronberger

PPE-DE: Andria, Provan

Verts/ALE: Aaltonen, Ahern, Breyer, Buitenweg, Evans Jillian, Frassoni, Gahrton, Hudghton, Lagendijk, Lambert, Lucas, MacCormick, Maes, Rühle, Schroedter, Wynn

Wednesday 14 January 2004

Herzog report A5-0484/2003**Amendment 31, 1st part****For: 261****EDD:** Abitbol, Andersen, Bernié, Bonde, Butel, Esclopé, Kuntz, Mathieu, Saint-Josse, Sandbæk**ELDR:** Costa Paolo, Di Pietro, Formentini, Sbarbati, Thors, Väyrynen, Van Hecke, Virrankoski**GUE/NGL:** Ainardi, Alavanos, Bakopoulos, Bergaz Conesa, Blak, Boudjenah, Brie, Caudron, Di Lello Finuoli, Fiebiger, Figueiredo, Frahm, Fraise, Herzog, Jové Peres, Kaufmann, Koulourianos, Krivine, Manisco, Markov, Maset Campos, Meijer, Modrow, Nair, Puerta, Scarbonchi, Schmid Herman, Schröder Ilka, Seppänen, Sjöstedt, Vachetta, Wurtz**NI:** Borghezio, Gobbo, Gorostiaga Atxalandabaso, de La Perriere, Speroni**PPE-DE:** Bodrato, Cocilovo, Ebner, Santer, Thyssen**PSE:** Andersson, Aparicio Sánchez, Baltas, Berenguer Fuster, Berès, van den Berg, Berger, Bösch, Bowe, Bullmann, Campos, Carlotti, Casaca, Cercas, Ceyhun, Corbett, Corbey, Darras, Dehousse, De Keyser, De Rossa, Désir, Díez González, Dührkop Dührkop, Duhamel, Duin, El Khadraoui, Ettl, Evans Robert J.E., Färm, Fava, Ferreira, Ford, Fruteau, Garot, Gebhardt, Gill, Gillig, Glante, Goebbels, Görlach, Gröner, Guy-Quint, Hänsch, Haug, Hazan, Hedkvist Petersen, Honeyball, Howitt, Hughes, van Hulst, Hume, Iivari, Imbeni, Izquierdo Collado, Izquierdo Rojo, Jöns, Junker, Karamanou, Karlsson, Katiforis, Kefler, Kindermann, Kinnock, Koukiadis, Krehl, Kreissl-Dörfler, Kuckelkorn, Kuhne, Lage, Lalumière, Lange, Lavarra, Leinen, Linkohr, Lund, McAvan, McCarthy, McNally, Malliori, Mann Erika, Marinho, Martin David W., Martin Hans-Peter, Martínez Martínez, Mastorakis, Medina Ortega, Mendiluce Pereiro, Menéndez del Valle, Miguélez Ramos, Miller, Miranda de Lage, Moraes, Morgan, Müller, Murphy, Myller, Napoletano, O'Toole, Paasilinna, Paciotti, Patrie, Piecyk, Pittella, Poignant, Poos, Prets, Rapkay, Read, Rocard, Roth-Behrendt, Rothe, Rothley, Roure, Ruffolo, Sacconi, Sakellariou, Sandberg-Fries, dos Santos, Sauquillo Pérez del Arco, Savary, Scheele, Schmid Gerhard, Schulz, Simpson, Skinner, Soares, Sornosa Martínez, Souladakis, Sousa Pinto, Stihler, Stockmann, Swibel, Swoboda, Theorin, Titley, Torres Marques, Vairinhos, Van Lancker, Volcic, Walter, Watts, Weiler, Whitehead, Wiersma, Wynn, Zorba, Zrihen**UEN:** Berlato, Bigliardo, Muscardini, Mussa, Musumeci, Nobilia, Pasqua, Poli Bortone, Ribeiro e Castro, Segni, Thomas-Mauro, Turchi**Verts/ALE:** Aaltonen, Ahern, Auroi, Boumediene-Thiery, Bouwman, Breyer, Buitenweg, Celli, Cohn-Bendit, Dhaene, Echerer, Evans Jillian, Ferrández Lezaun, Flautre, Frassoni, Gahrton, Graefe zu Baringdorf, Hudghton, Isler Béguin, Jonckheer, Lagendijk, Lambert, Lannoye, Lipietz, Lucas, MacCormick, McKenna, Maes, Mayol i Raynal, Onesta, Piétrasanta, Rod, de Roo, Rühle, Schörling, Schroedter, Sörensen, Turmes, Voggelhuber, Wuori, Wyn**Against: 260****EDD:** Belder, Blokland, Booth, van Dam, Farage, Tifford**ELDR:** Andreasen, André-Léonard, Attwooll, Busk, Calò, Clegg, Davies, De Clercq, Duff, Dybkjær, Flesch, Gasòliba i Böhm, Huhne, Jensen, Ludford, Lynne, Maaten, Malmström, Manders, Monsonís Domingo, Mulder, Newton Dunn, Nordmann, Olsson, Paulsen, Pesälä, Plooij-van Gorsel, Pohjamo, Procacci, Ries, Riis-Jørgensen, Rutelli, Schmidt, Sterckx, Sørensen, Vallvé, Vermeer, Wallis, Watson**NI:** Berthu, Beysen, Bonino, Cappato, Della Vedova, Dupuis, Hager, Ilgenfritz, Kronberger, Pannella, Souchet, Turco**PPE-DE:** Almeida Garrett, Andria, Arvidsson, Atkins, Averoff, Avilés Perea, Ayuso González, Balfé, Banotti, Bartolozzi, Bastos, Bayona de Perogordo, Beazley, Bébéar, Berend, Böge, von Boetticher, Bowis, Bradbourn, Bremmer, Brienza, Brok, Brunetta, Bushill-Matthews, Callanan, Camisón Asensio, Cardoso, Cederschiöld, Chichester, Coelho, Cornillet, Corrie, Cushnahan, Daul, Deprez, Descamps, De Veyrac, Dimitrakopoulos, Dover, Doyle, Elles, Fatuzzo, Ferber, Fernández Martín, Ferrer, Ferri, Fiori, Flemming, Florenz, Folias, Foster, Fourtou, Friedrich, Gahler, Galeote Quecedo, García-Margallo y Marfil, García-Orcoyen Tormo, Gargani, Garriga Polledo, Gawronski, Gemelli, Gil-Robles Gil-Delgado, Glase, Goepel, Gomolka, Goodwill, Gouveia, Graça Moura, Grönfeldt Bergman, Grosch, Grossetête, Hannan, Hansenne, Harbour, Hatzidakis, Heaton-Harris, Helmer, Hermange, Hernández Mollar, Herranz García, Hieronymi, Inglewood, Jackson,

Wednesday 14 January 2004

Jarzebowski, Jeggle, Karas, Kastler, Keppelhoff-Wiechert, Khanbhai, Kirkhope, Klamt, Klaß, Koch, Konrad, Korhola, Kratsa-Tsagaropoulou, Lamassoure, Langen, Laschet, Lechner, Lehne, Liese, Lisi, Lombardo, Lulling, Maat, McCartin, McMillan-Scott, Mann Thomas, Mantovani, Marini, Marinos, Marques, Martens, Matikainen-Kallström, Mauro, Mayer Hans-Peter, Mayer Xaver, Méndez de Vigo, Menrad, Mombaur, Morillon, Musotto, Naranjo Escobar, Nicholson, Niebler, Nisticò, Oomen-Ruijten, Oreja Arburúa, Pacheco Pereira, Pack, Parish, Pastorelli, Pérez Álvarez, Perry, Pex, Pirker, Piscarreta, Podestà, Poettering, Pomés Ruiz, Posselt, Pronk, Provan, Purvis, Quisthoudt-Rowohl, Radwan, Redondo Jiménez, Ripoll y Martínez de Bedoya, Roving, Rübig, Sacrédeus, Salafranca Sánchez-Neyra, Santini, Sartori, Scallon, Schaffner, Schierhuber, Schleicher, Schmitt, Schröder Jürgen, Schwaiger, Smet, Sommer, Stenmarck, Stenzel, Stevenson, Stockton, Sturdy, Sudre, Sumberg, Suominen, Tajani, Tannock, Theato, Trakatellis, Twinn, Valdivielso de Cué, Van Orden, Varela Suanzes-Carpegna, van Velzen, de Veyrinas, Vidal-Quadras Roca, Villiers, Vlasto, Wenzel-Perillo, Wijkman, von Wogau, Wuermeling, Zabell, Zacharakis, Zappalà, Zimmerling, Zissener

UEN: Andrews, Camre, Collins, Crowley, Fitzsimons, Hyland, Marchiani, Ó Neachtain, Queiró

Abstention: 10

EDD: Coûteaux

GUE/NGL: Patakis

NI: Claeys, Dillen, Garaud, de Gaulle, Gollnisch, Lang, Martinez, Stirbois

Herzog report A5-0484/2003

Amendment 31, 2nd part

For: 172

ELDR: Costa Paolo, Di Pietro, Formentini, Sbarbati, Thors, Väyrynen, Van Hecke, Virrankoski

GUE/NGL: Blak, Markov

NI: Gobbo, de La Perriere, Speroni

PPE-DE: Bodrato, Cocilovo, Ebner, Marini, Santer

PSE: Andersson, Aparicio Sánchez, Baltas, Berenguer Fuster, Berès, van den Berg, Berger, Bösch, Bowe, Bullmann, Campos, Casaca, Cercas, Ceyhun, Corbett, Corbey, Darras, De Rossa, Désir, Díez González, Dührkop Dührkop, Duhamel, Duin, Ettl, Evans Robert J.E., Färm, Fava, Ferreira, Ford, Fruteau, Garot, Gebhardt, Gill, Gillig, Glante, Görlach, Gröner, Guy-Quint, Hänsch, Haug, Hazan, Hedkvist Petersen, Honeyball, Howitt, Hughes, van Hulsten, Hume, Iivari, Imbeni, Izquierdo Collado, Izquierdo Rojo, Jöns, Junker, Karamanou, Karlsson, Katiforis, Keßler, Kindermann, Kinnock, Koukiadis, Krehl, Kreissl-Dörfler, Kuckelkorn, Kuhne, Lage, Lalumière, Lange, Lavarra, Leinen, Linkohr, Lund, McAvan, McCarthy, McNally, Malliori, Mann Erika, Marinho, Martin David W., Martin Hans-Peter, Martínez Martínez, Mastorakis, Medina Ortega, Mendiluce Pereiro, Menéndez del Valle, Miguélez Ramos, Miller, Miranda de Lage, Moraes, Morgan, Müller, Murphy, Myller, Napoletano, O'Toole, Paasilinna, Paciotti, Patrie, Piecyk, Pittella, Poignant, Poos, Prets, Read, Rocard, Roth-Behrendt, Rothe, Rothley, Roure, Ruffolo, Sacconi, Sakellariou, Sandberg-Fries, dos Santos, Sauquillo Pérez del Arco, Savary, Scheele, Schmid Gerhard, Schulz, Simpson, Skinner, Soares, Sornosa Martínez, Souladakis, Sousa Pinto, Stihler, Stockmann, Swiebel, Swoboda, Theorin, Thorning-Schmidt, Titley, Torres Marques, Vairinhos, Van Lancker, Volcic, Walter, Watts, Weiler, Whitehead, Wiersma, Wynn, Zorba

UEN: Berlatto, Bigliardo, Muscardini, Mussa, Musumeci, Nobilia, Pasqua, Poli Bortone, Ribeiro e Castro, Segni, Thomas-Mauro, Turchi

Against: 322

EDD: Andersen, Belder, Bernié, Blokland, Bonde, Booth, Butel, van Dam, Esclopé, Farage, Mathieu, Saint-Josse, Sandbæk, Titford

ELDR: Andreasen, André-Léonard, Attwooll, Busk, Calò, Clegg, Davies, De Clercq, Duff, Dybkjær, Fleisch, Gasöliba i Böhm, Huhne, Jensen, Ludford, Lynne, Maaten, Manders, Monsonís Domingo, Mulder, Newton

Wednesday 14 January 2004

Dunn, Nordmann, Olsson, Paulsen, Pesälä, Plooij-van Gorsel, Pohjamo, Procacci, Ries, Riis-Jørgensen, Rutelli, Schmidt, Sterckx, Sørensen, Vallvé, Vermeer, Wallis, Watson

GUE/NGL: Fiebiger, Frahm, Schmid Herman, Seppänen, Sjöstedt

NI: Berthu, Beysen, Bonino, Cappato, Claeys, Della Vedova, Dillen, Dupuis, Garaud, de Gaulle, Gollnisch, Hager, Ilgenfritz, Kronberger, Lang, Martinez, Pannella, Souchet, Stirbois, Turco

PPE-DE: Almeida Garrett, Andria, Arvidsson, Atkins, Averoff, Avilés Perea, Ayuso González, Balfé, Banotti, Bartolozzi, Bastos, Bayona de Perogordo, Beazley, Bébéar, Berend, Böge, von Boetticher, Bourlanges, Bowis, Bradbourn, Bremmer, Brienza, Brok, Brunetta, Bushill-Matthews, Callanan, Camisón Asensio, Cardoso, Cederschiöld, Chichester, Coelho, Cornillet, Corrie, Costa Raffaele, Cushnahan, Daul, Deprez, Descamps, De Veyrac, Dimitrakopoulos, Dover, Doyle, Elles, Fatuzzo, Ferber, Fernández Martín, Ferrer, Ferri, Fiori, Flemming, Florenz, Folias, Foster, Fourtou, Friedrich, Gahler, Galeote Quecedo, García-Margallo y Marfil, García-Orcoyen Tormo, Gargani, Garriga Polledo, Gawronski, Gemelli, Gil-Robles Gil-Delgado, Glase, Goepel, Gomolka, Goodwill, Gouveia, Graça Moura, Grönfeldt Bergman, Grosch, Grossetête, Hannan, Hansenne, Harbour, Hatzidakis, Heaton-Harris, Helmer, Hermange, Hernández Mollar, Herranz García, Hieronymi, Inglewood, Jackson, Jarzembowski, Jeggle, Karas, Kastler, Keppelhoff-Wiechert, Khanbhai, Kirkhope, Klamt, Klauf, Koch, Konrad, Korhola, Kratsa-Tsagaropoulou, Lamassoure, Langen, Lechner, Lehne, Liese, Lisi, Lombardo, Lulling, Maat, McCartin, McMillan-Scott, Mann Thomas, Mantovani, Marinos, Marques, Martens, Matikainen-Kallström, Mauro, Mayer Hans-Peter, Mayer Xaver, Méndez de Vigo, Menrad, Mombaur, Morillon, Musotto, Naranjo Escobar, Nicholson, Niebler, Oomen-Ruijten, Oreja Arburúa, Pacheco Pereira, Pack, Parish, Pastorelli, Pérez Álvarez, Perry, Pex, Pirker, Piscarreta, Podestà, Poettering, Posselt, Pronk, Purvis, Quisthoudt-Rowohl, Radwan, Redondo Jiménez, Ripoll y Martínez de Bedoya, Rovsing, Rübzig, Sacrédeus, Salafranca Sánchez-Neyra, Santini, Sartori, Scallon, Schaffner, Schierhuber, Schleicher, Schmitt, Schröder Jürgen, Schwaiger, Smet, Sommer, Stenmarck, Stenzel, Stevenson, Stockton, Sturdy, Sudre, Sumberg, Suominen, Tajani, Tannock, Theato, Thyssen, Trakatellis, Twinn, Valdivielso de Cué, Van Orden, Varela Suanzes-Carpegna, van Velzen, de Veyrinas, Vidal-Quadras Roca, Villiers, Vlasto, Wenzel-Perillo, Wijkman, von Wogau, Wuermeling, Zabell, Zacharakis, Zappalà, Zimmerling, Zissener

PSE: Dehousse, De Keyser, El Khadraoui, Zrihen

UEN: Andrews, Camre, Collins, Crowley, Fitzsimons, Hyland, Marchiani, Ó Neachtain, Queiró

Verts/ALE: Aaltonen, Ahern, Auroi, Boumediene-Thiery, Bouwman, Breyer, Buitenweg, Celli, Cohn-Bendit, Dhaene, Echerer, Evans Jillian, Ferrández Lezaun, Frassoni, Gahrton, Graefe zu Baringdorf, Hudghton, Isler Béguin, Jonckheer, Legendijk, Lambert, Lannoye, Lipietz, Lucas, MacCormick, McKenna, Maes, Mayol i Raynal, Onesta, Piétrasanta, Rod, de Roo, Rühle, Schörling, Schroedter, Sörensen, Turmes, Voggenhuber, Wuori, Wyn

Abstention: 31

EDD: Abitbol, Coûteaux, Kuntz

GUE/NGL: Ainardi, Alavanos, Bakopoulos, Bergaz Conesa, Boudjenah, Brie, Caudron, Di Lello Finuoli, Figueiredo, Fraisse, Herzog, Jové Peres, Kaufmann, Koulourianos, Krivine, Marnisco, Marset Campos, Meijer, Modrow, Naïr, Patakis, Puerta, Scarbonchi, Schröder Ilka, Vachetta, Wurtz

NI: Gorostiaga Atxalandabaso

PSE: Carlotti

Herzog report A5-0484/2003

Amendment 32

For: 490

EDD: Andersen, Bernié, Bonde, Butel, Coûteaux, Esclopé, Kuntz, Mathieu, Saint-Josse, Sandbæk

ELDR: Andreasen, André-Léonard, Attwooll, Busk, Calò, Clegg, Costa Paolo, Davies, De Clercq, Di Pietro, Duff, Dybkjær, Fleisch, Formentini, Gasöliba i Böhm, Huhne, Jensen, Ludford, Lynne, Maaten, Malmström,

Wednesday 14 January 2004

Manders, Monsonís Domingo, Mulder, Newton Dunn, Nordmann, Olsson, Paulsen, Pesälä, Plooi-j-van Gorsel, Pohjamo, Procacci, Ries, Riis-Jørgensen, Rutelli, Sbarbati, Schmidt, Sterckx, Sørensen, Thors, Väyrynen, Vallvé, Van Hecke, Vermeer, Virrankoski, Wallis, Watson

GUE/NGL: Ainardi, Alavanos, Bakopoulos, Bergaz Conesa, Blak, Boudjenah, Brie, Caudron, Di Lello Finuoli, Fiebiger, Figueiredo, Frahm, Fraisse, Herzog, Jové Peres, Kaufmann, Koulourianos, Manisco, Markov, Marset Campos, Meijer, Modrow, Nair, Puerta, Scarbonchi, Schmid Herman, Schröder Ilka, Seppänen, Sjöstedt, Wurtz

NI: Beysen, Bonino, Cappato, Della Vedova, Dupuis, Gorostiaga Atxalandabaso, Ilgenfritz, Kronberger, de La Perriere, Pannella, Turco

PPE-DE: Almeida Garrett, Andria, Arvidsson, Atkins, Averoff, Avilés Perea, Ayuso González, Balfé, Banotti, Bartolozzi, Bastos, Bayona de Perogordo, Beazley, Bébéar, Berend, Bodrato, Böge, von Boetticher, Boulrangés, Bowis, Bradbourn, Bremmer, Brienza, Brok, Bushill-Matthews, Callanan, Camisón Asensio, Cardoso, Cederschiöld, Chichester, Cocilovo, Coelho, Cornillet, Corrie, Cushnahan, Daul, Deprez, Descamps, De Veyrac, Dimitrakopoulos, Doyle, Ebner, Elles, Fatuzzo, Ferber, Fernández Martín, Ferrer, Ferri, Fiori, Flemming, Florenz, Folias, Foster, Fourtou, Friedrich, Gahler, Galeote Quecedo, García-Margallo y Marfil, García-Orcoyen Tormo, Gargani, Garriga Polledo, Gawronski, Gemelli, Gil-Robles Gil-Delgado, Glase, Goepel, Gomolka, Goodwill, Gouveia, Graça Moura, Grönfeldt Bergman, Grosch, Grossetête, Hannan, Hansenne, Harbour, Hatzidakis, Heaton-Harris, Hermange, Hernández Mollar, Herranz García, Hieronymi, Inglewood, Jackson, Jarzembowski, Jeggle, Karas, Kastler, Keppelhoff-Wiechert, Khanbhai, Kirkhope, Klamt, Klaf, Koch, Konrad, Korhola, Kratsa-Tsagaropoulou, Lamassoure, Langen, Laschet, Lechner, Lehne, Liese, Lisi, Lombardo, Lulling, Maat, McCartin, McMillan-Scott, Mann Thomas, Mantovani, Marini, Marinos, Martens, Matikainen-Kallström, Mauro, Mayer Hans-Peter, Mayer Xaver, Méndez de Vigo, Menrad, Mombaur, Morillon, Musotto, Naranjo Escobar, Nicholson, Niebler, Nisticò, Oomen-Ruijten, Oreja Arburúa, Pacheco Pereira, Pack, Parish, Pastorelli, Pérez Álvarez, Perry, Pex, Pirker, Piscarreta, Podestà, Poettering, Pomés Ruiz, Posselt, Pronk, Provan, Purvis, Quisthoudt-Rowohl, Radwan, Redondo Jiménez, Ripoll y Martínez de Bedoya, Røvsing, Rübige, Sacrédeus, Salafranca Sánchez-Neyra, Santer, Santini, Sartori, Scallon, Schaffner, Schierhuber, Schleicher, Schmitt, Schröder Jürgen, Schwaiger, Smet, Sommer, Stenmarck, Stenzel, Stevenson, Stockton, Sturdy, Sudre, Sumberg, Suominen, Tajani, Tannock, Theato, Thyssen, Trakatellis, Twinn, Valdivielso de Cué, Van Orden, Varela Suanzes-Carpegna, van Velzen, de Veyrinas, Villiers, Vlasto, Wenzel-Perillo, Wijkman, von Wogau, Wüermeling, Zabell, Zacharakis, Zappalà, Zimmerling, Zissener

PSE: Andersson, Aparicio Sánchez, Baltas, Berenguer Fuster, Berès, van den Berg, Berger, Bösch, Bowe, Bullmann, Campos, Carlotti, Casaca, Cercas, Ceyhun, Corbett, Corbey, Darras, Dehousse, De Keyser, De Rossa, Désir, Díez González, Dührkop Dührkop, Duhamel, Duin, El Khadraoui, Ettl, Evans Robert J.E., Färm, Fava, Ferreira, Ford, Fruteau, Garot, Gebhardt, Gill, Gillig, Glante, Goebbels, Görlach, Gröner, Guy-Quint, Hänsch, Haug, Hazan, Hedkvist Petersen, Honeyball, Howitt, Hughes, van Hulten, Hume, Iivari, Imbeni, Izquierdo Collado, Izquierdo Rojo, Jöns, Junker, Karamanou, Karlsson, Katiforis, Keßler, Kindermann, Kinnock, Koukiadis, Krehl, Kreissl-Dörfler, Kuckelkorn, Kuhne, Lage, Lalumière, Lange, Leinen, Linkohr, Lund, McAvan, McCarthy, McNally, Malliori, Mann Erika, Marinho, Martin David W., Martin Hans-Peter, Martínez Martínez, Mastorakis, Medina Ortega, Mendiluce Pereiro, Menéndez del Valle, Miguélez Ramos, Miller, Miranda de Lage, Moraes, Morgan, Müller, Murphy, Myller, Napolitano, O'Toole, Paasilinna, Paciotti, Patrie, Piecyk, Pittella, Poignant, Poos, Prets, Rapkay, Read, Rocard, Roth-Behrendt, Rothe, Rothley, Roure, Ruffolo, Sacconi, Sakellariou, Sandberg-Fries, dos Santos, Sauquillo Pérez del Arco, Savary, Scheele, Schmid Gerhard, Schulz, Simpson, Skinner, Soares, Sornosa Martínez, Souladakis, Sousa Pinto, Stihler, Stockmann, Swiebel, Swoboda, Theorin, Thorning-Schmidt, Titley, Torres Marques, Vairinhos, Van Lancker, Volcic, Walter, Watts, Weiler, Whitehead, Wiersma, Wynn, Zorba, Zrihen

UEN: Berlato, Bigliardo, Camre, Marchiani, Muscardini, Mussa, Musumeci, Nobilia, Pasqua, Poli Bortone, Ribeiro e Castro, Segni, Thomas-Mauro, Turchi

Verts/ALE: Aaltonen, Ahern, Auroi, Bouwman, Breyer, Buitenweg, Celli, Cohn-Bendit, Dhaene, Echerer, Evans Jillian, Ferrández Lezaun, Flautre, Frassoni, Gahrton, Graefe zu Baringdorf, Hudghton, Isler Béguin, Jonckheer, Legendijk, Lambert, Lipietz, Lucas, McCormick, Maes, Mayol i Raynal, Onesta, Piétrasanta, de Roo, Rühle, Schörling, Schroedter, Turmes, Voggenhuber, Wuori

Against: 24

EDD: Belder, Blokland, Booth, van Dam, Farage, Titford

Wednesday 14 January 2004

GUE/NGL: Krivine, Patakis, Vachetta

NI: Garaud, Hager

PPE-DE: Brunetta, Dover, Marques

UEN: Andrews, Collins, Fitzsimons, Hyland, Ó Neachtain, Queiró

Verts/ALE: Boumediene-Thiery, McKenna, Rod, Sörensen

Abstention: 15

EDD: Abitbol

NI: Berthu, Borghezio, Claeys, Dillen, de Gaulle, Gobbo, Gollnisch, Lang, Martinez, Souchet, Speroni, Stirbois

PPE-DE: Costa Raffaele, Helmer

Herzog report A5-0484/2003

Amendment 33

For: 260

EDD: Abitbol, Andersen, Bernié, Bonde, Booth, Butel, Coûteaux, Esclopé, Farage, Kuntz, Mathieu, Saint-Josse, Sandbæk, Titford

ELDR: Di Pietro, Nordmann, Väyrynen, Virrankoski

GUE/NGL: Ainardi, Alavanos, Bakopoulos, Bergaz Conesa, Bordes, Boudjenah, Brie, Caudron, Cauquil, Di Lello Finuoli, Fiebigger, Figueiredo, Frahm, Fraisse, Herzog, Jové Peres, Kaufmann, Koulourianos, Krivine, Laguiller, Manisco, Markov, Marset Campos, Meijer, Modrow, Nair, Patakis, Puerta, Scarbonchi, Schmid Herman, Schröder Ilka, Seppänen, Sjöstedt, Vachetta, Wurtz

NI: Claeys, Dillen, Garaud, de Gaulle, Gollnisch, Gorostiaga Atxalandabaso, Lang, Martinez, Stirbois

PPE-DE: Grosch, Smet, Thyssen

PSE: Andersson, Aparicio Sánchez, Baltas, Berenguer Fuster, Berès, van den Berg, Berger, Bösch, Bowe, Bullmann, Campos, Carlotti, Casaca, Cercas, Ceyhun, Corbett, Corbey, Darras, Dehousse, De Keyser, De Rossa, Désir, Díez González, Dührkop Dührkop, Duhamel, Duin, El Khadraoui, Ettl, Evans Robert J.E., Färm, Fava, Ferreira, Ford, Fruteau, Garot, Gebhardt, Gill, Gillig, Glante, Goebbels, Görlach, Gröner, Guy-Quint, Hänsch, Haug, Hazan, Hedkvist Petersen, Honeyball, Howitt, Hughes, van Hulten, Hume, Iivari, Imbeni, Izquierdo Collado, Izquierdo Rojo, Junker, Karamanou, Karlsson, Katiforis, Keßler, Kindermann, Kinnock, Koukiadis, Krehl, Kreissl-Dörfler, Kuckelkorn, Kuhne, Lage, Lalumière, Lange, Lavarra, Leinen, Linkohr, Lund, McAvan, McCarthy, McNally, Malliori, Mann Erika, Marinho, Martin Hans-Peter, Martínez Martínez, Mastorakis, Medina Ortega, Mendiluce Pereiro, Menéndez del Valle, Miguélez Ramos, Miller, Miranda de Lage, Moraes, Morgan, Müller, Murphy, Myller, Napoletano, O'Toole, Paasilinna, Paciotti, Patrie, Piecyk, Pittella, Poignant, Poos, Prets, Rapkay, Read, Rocard, Roth-Behrendt, Rothe, Rothley, Roure, Ruffolo, Sacconi, Sakellariou, Sandberg-Fries, dos Santos, Sauquillo Pérez del Arco, Savary, Scheele, Schmid Gerhard, Schulz, Simpson, Skinner, Soares, Souladakis, Sousa Pinto, Stihler, Stockmann, Swiebel, Swoboda, Theorin, Thorning-Schmidt, Titley, Torres Marques, Vairinhos, Van Lancker, Volcic, Walter, Watts, Weiler, Whitehead, Wiersma, Wynn, Zorba, Zrihen

UEN: Berlato, Bigliardo, Muscardini, Mussa, Musumeci, Nobilia, Poli Bortone, Turchi

Wednesday 14 January 2004

Verts/ALE: Aaltonen, Ahern, Auroi, Boumediene-Thiery, Bouwman, Breyer, Buitenweg, Celli, Cohn-Bendit, Dhaene, Echerer, Evans Jillian, Ferrández Lezaun, Flautre, Frassoni, Gahrton, Graefe zu Baringdorf, Hudghton, Isler Béguin, Jonckheer, Lagendijk, Lambert, Lannoye, Lipietz, Lucas, MacCormick, McKenna, Maes, Mayol i Raynal, Onesta, Piétrasanta, Rod, de Roo, Rühle, Schörling, Schroedter, Sørensen, Turmes, Voggenhuber, Wuori, Wyn

Against: 266

EDD: Belder, Blokland, van Dam

ELDR: Andreasen, André-Léonard, Attwooll, Busk, Calò, Clegg, Costa Paolo, Davies, De Clercq, Duff, Dybkjær, Fleisch, Formentini, Gasòliba i Böhm, Huhne, Jensen, Ludford, Lynne, Maaten, Malmström, Manders, Monsonís Domingo, Mulder, Newton Dunn, Olsson, Paulsen, Pesälä, Plooi-j-van Gorsel, Pohjamo, Procacci, Ries, Riis-Jørgensen, Rutelli, Sbarbati, Schmidt, Sterckx, Sørensen, Thors, Vallvé, Van Hecke, Vermeer, Wallis, Watson

GUE/NGL: Blak

NI: Berthu, Beysen, Bonino, Cappato, Della Vedova, Dupuis, Hager, Ilgenfritz, Kronberger, de La Perriere, Pannella, Souchet, Turco

PPE-DE: Almeida Garrett, Andria, Arvidsson, Atkins, Averoff, Avilés Perea, Ayuso González, Balfé, Banotti, Bartolozzi, Bastos, Bayona de Perogordo, Beazley, Bébéar, Berend, Bodrato, Böge, von Boetticher, Bourlanges, Bowis, Bradbourn, Bremmer, Brienza, Brok, Brunetta, Bushill-Matthews, Callanan, Camisón Asensio, Cardoso, Cederschiöld, Chichester, Cocilovo, Coelho, Corrie, Costa Raffaele, Cushnahan, Daul, Deprez, Descamps, De Veyrac, Dimitrakopoulos, Dover, Doyle, Ebner, Elles, Fatuzzo, Ferber, Fernández Martín, Ferrer, Ferri, Fiori, Flemming, Foliás, Foster, Fourtou, Friedrich, Gähler, Galeote Quecedo, García-Margallo y Marfil, Gargani, Garriga Polledo, Gawronski, Gemelli, Gil-Robles Gil-Delgado, Glase, Goepel, Gomolka, Goodwill, Gouveia, Graça Moura, Grönfeldt Bergman, Grossetête, Hannan, Hansenne, Harbour, Hatzidakis, Heaton-Harris, Helmer, Hermange, Hernández Mollar, Herranz García, Hieronymi, Inglewood, Jackson, Jarzembowski, Jeggler, Karas, Kastler, Keppelhoff-Wiechert, Khanbhai, Kirkhope, Klamt, Klaß, Koch, Konrad, Korhola, Kratsa-Tsagaropoulou, Lamassoure, Langen, Laschet, Lechner, Lehne, Liese, Lisi, Lombardo, Lulling, Maat, McCartin, McMillan-Scott, Mann Thomas, Mantovani, Marini, Marinos, Marques, Martens, Matikainen-Kallström, Mauro, Mayer Hans-Peter, Mayer Xaver, Méndez de Vigo, Menrad, Mombaur, Morillon, Musotto, Naranjo Escobar, Nicholson, Niebler, Nisticò, Oomen-Ruijten, Oreja Arburúa, Pacheco Pereira, Pack, Parish, Pastorelli, Pérez Álvarez, Perry, Pex, Pirker, Piscarreta, Podestà, Poettering, Posselt, Pronk, Provan, Purvis, Quisthoudt-Rowohl, Radwan, Redondo Jiménez, Ripoll y Martínez de Bedoya, Rovsing, Rübig, Sacrédeus, Salafranca Sánchez-Neyra, Santer, Santini, Sartori, Scallon, Schaffner, Schierhuber, Schleicher, Schmitt, Schröder Jürgen, Schwaiger, Sommer, Stenmarck, Stenzel, Stevenson, Stockton, Sturdy, Sudre, Sumberg, Suominen, Tajani, Tannock, Theato, Trakatellis, Twinn, Valdivielso de Cué, Van Orden, Varela Suanzes-Carpegna, van Velzen, de Veyrinas, Vidal-Quadras Roca, Villiers, Vlasto, Wenzel-Perillo, Wijkman, von Wogau, Wuermeling, Zabell, Zacharakis, Zappalà, Zimmerling, Zissener

UEN: Andrews, Camre, Collins, Crowley, Fitzsimons, Hyland, Marchiani, Ó Neachtain, Pasqua, Queiró, Ribeiro e Castro, Thomas-Mauro

Abstention: 3

NI: Borghezio, Gobbo, Speroni

Herzog report A5-0484/2003

Amendment 34

For: 261

EDD: Abitbol, Andersen, Bernié, Bonde, Butel, Coûteaux, Esclopé, Kuntz, Mathieu, Saint-Josse, Sandbæk

ELDR: Di Pietro, Virrankoski

Wednesday 14 January 2004

GUE/NGL: Ainardi, Alavanos, Bakopoulos, Bergaz Conesa, Bordes, Boudjenah, Brie, Caudron, Cauquil, Di Lello Finuoli, Fiebiger, Figueiredo, Frahm, Fraisse, Herzog, Jové Peres, Kaufmann, Koulourianos, Krivine, Laguiller, Manisco, Markov, Marset Campos, Meijer, Modrow, Nair, Patakis, Puerta, Scarbonchi, Schmid Herman, Schröder Ilka, Seppänen, Vachetta, Wurtz

NI: Borghezio, Claeys, Dillen, Garaud, de Gaulle, Gobbo, Gollnisch, Gorostiaga Atxalandabaso, Lang, de La Perriere, Martinez, Speroni, Stirbois

PSE: Andersson, Aparicio Sánchez, Baltas, Berenguer Fuster, Berès, van den Berg, Berger, Bösch, Bowe, Bullmann, Campos, Carlotti, Casaca, Cercas, Ceyhun, Corbett, Corbey, Darras, Dehousse, De Keyser, De Rossa, Désir, Díez González, Dührkop Dührkop, Duhamel, Duin, El Khadraoui, Ettl, Evans Robert J.E., Färm, Fava, Ferreira, Ford, Fruteau, Garot, Gebhardt, Gill, Gillig, Glante, Goebbels, Görlach, Gröner, Guy-Quint, Hänsch, Haug, Hazan, Hedkvist Petersen, Honeyball, Howitt, Hughes, van Hulten, Hume, Iivari, Imbeni, Izquierdo Collado, Izquierdo Rojo, Jöns, Junker, Karamanou, Karlsson, Katiforis, Keßler, Kindermann, Kinnock, Koukiadis, Krehl, Kreissl-Dörfler, Kuckelkorn, Kuhne, Lage, Lalumière, Lange, Lavarra, Leinen, Linkohr, Lund, McAvan, McCarthy, McNally, Malliori, Mann Erika, Marinho, Martin David W., Martin Hans-Peter, Martínez Martínez, Mastorakis, Medina Ortega, Mendiluce Pereiro, Menéndez del Valle, Miguélez Ramos, Miller, Miranda de Lage, Moraes, Morgan, Müller, Murphy, Myller, Napoletano, O'Toole, Paasilinna, Paciotti, Patrie, Piecyk, Pittella, Poignant, Poos, Prets, Rapkay, Read, Rocard, Roth-Behrendt, Rothe, Rothley, Roure, Ruffolo, Sacconi, Sakellariou, Sandberg-Fries, dos Santos, Sauquillo Pérez del Arco, Savary, Scheele, Schmid Gerhard, Schulz, Simpson, Skinner, Soares, Sornosa Martínez, Souladakis, Sousa Pinto, Stihler, Stockmann, Swiebel, Swoboda, Theorin, Thorning-Schmidt, Titley, Torres Marques, Vairinhos, Van Lancker, Volcic, Walter, Watts, Weiler, Whitehead, Wiersma, Wynn, Zorba, Zrihen

UEN: Berlato, Bigliardo, Marchiani, Muscardini, Mussa, Musumeci, Nobilia, Pasqua, Poli Bortone, Ribeiro e Castro, Turchi

Verts/ALE: Aaltonen, Ahern, Auroi, Boumediene-Thiery, Bouwman, Breyer, Buitenweg, Celli, Cohn-Bendit, Dhaene, Echerer, Evans Jillian, Ferrández Lezaun, Flautre, Frassoni, Gahrton, Graefe zu Baringdorf, Hudghton, Isler Béguin, Jonckheer, Lagendijk, Lambert, Lannoye, Lipietz, Lucas, MacCormick, McKenna, Maes, Mayol i Raynal, Onesta, Piétrasanta, Rod, de Roo, Rühle, Schörling, Schroedter, Sörensen, Turmes, Voggelhuber, Wuori, Wyn

Against: 266

EDD: Belder, Blokland, Booth, van Dam, Farage, Titford

ELDR: Andreasen, André-Léonard, Attwooll, Busk, Calò, Clegg, Costa Paolo, Davies, De Clercq, Duff, Dybkjær, Formentini, Gasòliba i Böhm, Huhne, Jensen, Ludford, Lynne, Maaten, Malmström, Manders, Monsonís Domingo, Mulder, Newton Dunn, Nordmann, Olsson, Paulsen, Pesälä, Pohjamo, Ries, Riis-Jørgensen, Rutelli, Sbarbati, Schmidt, Sterckx, Sørensen, Thors, Vallvé, Van Hecke, Vermeer, Wallis, Watson

GUE/NGL: Blak

NI: Berthu, Beysen, Bonino, Cappato, Della Vedova, Dupuis, Hager, Ilgenfritz, Kronberger, Paisley, Pannella, Souchet, Turco

PPE-DE: Almeida Garrett, Andria, Arvidsson, Atkins, Averoff, Avilés Perea, Ayuso González, Balfe, Banotti, Bartolozzi, Bastos, Bayona de Perogordo, Beazley, Bébéar, Berend, Böge, von Boetticher, Bourlanges, Bowis, Bradbourn, Brienza, Brok, Brunetta, Bushill-Matthews, Callanan, Camisón Asensio, Cardoso, Cederschiöld, Chichester, Cocilovo, Coelho, Cornillet, Corrie, Cushnahan, Daul, Deprez, Descamps, De Veyrac, Dimitrakopoulos, Dover, Doyle, Ebner, Elles, Fatuzzo, Ferber, Fernández Martín, Ferrer, Ferri, Fiori, Flemming, Florenz, Folias, Foster, Fourtou, Friedrich, Gahler, Galeote Quecedo, García-Margallo y Marfil, García-Orcoyen Tormo, Gargani, Garriga Polledo, Gawronski, Gemelli, Gil-Robles Gil-Delgado, Glase, Goepel, Gomolka, Goodwill, Gouveia, Graça Moura, Grönfeldt Bergman, Grosch, Grossetête, Hannan, Hansenne, Harbour, Hatzidakis, Heaton-Harris, Helmer, Hermange, Hernández Mollar, Herranz García, Hieronymi, Inglewood, Jackson, Jarzembowski, Jeggle, Karas, Kastler, Keppelhoff-Wiechert, Khanbhai, Kirkhope, Klamt, Klaß, Koch, Konrad, Korhola, Kratsa-Tsagaropoulou, Lamassoure, Langen, Laschet, Lechner, Lehne, Liese, Lisi, Lombardo, Lulling, Maat, McCartin, McMillan-Scott, Mann Thomas, Mantovani, Marini, Marinos, Marques, Martens, Matikainen-Kallström, Mauro, Mayer Hans-Peter, Mayer Xaver, Méndez de Vigo, Menrad, Mombaur, Morillon, Musotto, Naranjo Escobar, Nicholson, Niebler, Nisticò, Oomen-Ruijten, Oreja Arburúa, Pacheco Pereira, Pack, Parish, Pastorelli, Pérez Álvarez, Perry, Pex, Pirker, Piscarreta, Podestà, Poettering, Posselt, Pronk, Provan, Purvis, Quisthoudt-Rowohl, Radwan,

Wednesday 14 January 2004

Redondo Jiménez, Ripoll y Martínez de Bedoya, Rovsing, Rübig, Sacrédeus, Salafranca Sánchez-Neyra, Santer, Santini, Sartori, Scallon, Schaffner, Schierhuber, Schleicher, Schmitt, Schröder Jürgen, Schwaiger, Smet, Sommer, Stenmarck, Stenzel, Stevenson, Stockton, Sturdy, Sudre, Sumberg, Suominen, Tajani, Tannock, Theato, Trakatellis, Twinn, Valdivielso de Cué, Van Orden, Varela Suanzes-Carpegna, van Velzen, de Veyrinas, Vidal-Quadras Roca, Villiers, Vlasto, Wenzel-Perillo, Wijkman, von Wogau, Wuermeling, Zabell, Zacharakis, Zappalà, Zimmerling, Zissener

UEN: Andrews, Camre, Collins, Crowley, Fitzsimons, Hyland, Ó Neachtain, Queiró, Thomas-Mauro

Abstention: 4

ELDR: Flesch, Väyrynen

PPE-DE: Costa Raffaele, Thyssen

Herzog report A5-0484/2003

Amendment 35

For: 265

EDD: Abitbol, Andersen, Bernié, Bonde, Booth, Butel, Coûteaux, Esclopé, Farage, Kuntz, Mathieu, Saint-Josse, Sandbæk, Titford

ELDR: Attwooll, Costa Paolo, Di Pietro, Formentini, Nordmann, Van Hecke

GUE/NGL: Ainardi, Alavanos, Bakopoulos, Bergaz Conesa, Boudjenah, Brie, Caudron, Di Lello Finuoli, Fiebiger, Figueiredo, Frahm, Herzog, Jové Peres, Kaufmann, Koulourianos, Krivine, Manisco, Markov, Marset Campos, Meijer, Modrow, Nair, Patakis, Puerta, Scarbonchi, Schmid Herman, Schröder Ilka, Seppänen, Sjöstedt, Vachetta, Wurtz

NI: Claeys, Dillen, Garaud, de Gaulle, Gollnisch, Gorostiaga Atxalandabaso, Lang, Martinez, Stirbois

PPE-DE: Bébéar, Bourlanges, Cocilovo, Cornillet, Daul, Descamps, De Veyrac, Ebner, Fourtou, Grossetête, Hermange, Lehne, Marini, Santer, Schaffner, Smet, Sudre, Thyssen, de Veyrinas, Vlasto

PSE: Andersson, Aparicio Sánchez, Baltas, Berenguer Fuster, Berès, van den Berg, Berger, Bösch, Bowe, Bullmann, Campos, Carlotti, Casaca, Cercas, Ceyhun, Corbett, Corbey, Darras, Dehousse, De Keyser, De Rossa, Désir, Díez González, Dührkop Dührkop, Duhamel, Duin, El Khadraoui, Ettl, Evans Robert J.E., Färm, Fava, Ferreira, Ford, Fruteau, Garot, Gebhardt, Gill, Gillig, Glante, Goebbels, Görlach, Gröner, Guy-Quint, Hänsch, Haug, Hazan, Hedkvist Petersen, Honeyball, Howitt, Hughes, van Hulten, Hume, Iivari, Imbeni, Izquierdo Collado, Izquierdo Rojo, Jöns, Junker, Karamanou, Karlsson, Katiforis, Kefler, Kindermann, Kinnock, Koukiadis, Krehl, Kreissl-Dörfler, Kuckelkorn, Kuhne, Lage, Lalumière, Lange, Lavarra, Leinen, Linkohr, McAvan, McCarthy, McNally, Malliori, Mann Erika, Marinho, Martin David W., Martínez Martínez, Mastorakis, Medina Ortega, Mendiluce Pereiro, Menéndez del Valle, Miguélez Ramos, Miller, Miranda de Lage, Moraes, Morgan, Müller, Murphy, Myller, Napolitano, O'Toole, Paciotti, Patrie, Piecyk, Pittella, Poignant, Poos, Prets, Rapkay, Read, Rocard, Roth-Behrendt, Rothe, Rothley, Roure, Ruffolo, Sacconi, Sakellariou, Sandberg-Fries, dos Santos, Sauquillo Pérez del Arco, Savary, Scheele, Schmid Gerhard, Schulz, Simpson, Skinner, Soares, Sornosa Martínez, Souladakis, Sousa Pinto, Stihler, Stockmann, Swibel, Swoboda, Theorin, Thorning-Schmidt, Titley, Torres Marques, Vairinhos, Van Lancker, Volcic, Walter, Watts, Weiler, Whitehead, Wiersma, Wynn, Zorba, Zrihen

Verts/ALE: Aaltonen, Ahern, Auroi, Boumediene-Thiery, Bouwman, Buitenweg, Celli, Cohn-Bendit, Dhaene, Echerer, Evans Jillian, Ferrández Lezaun, Flautre, Frassoni, Graefe zu Baringdorf, Hudghton, Isler Béguin, Jonckheer, Lagendijk, Lambert, Lannoye, Lipietz, Lucas, MacCormick, McKenna, Maes, Mayol i Raynal, Onesta, Piétrasanta, Rod, de Roo, Rühle, Schörling, Schroedter, Sörensen, Turmes, Voggenhuber, Wuori, Wyn

Against: 248

EDD: Belder, Blokland, van Dam

ELDR: Andreasen, André-Léonard, Busk, Calò, Clegg, Davies, De Clercq, Duff, Dybkjær, Flesch, Gasòliba i Böhm, Huhne, Jensen, Ludford, Lynne, Maaten, Malmström, Manders, Monsonís Domingo, Mulder, Newton

Wednesday 14 January 2004

Dunn, Olsson, Paulsen, Pesälä, Plooij-van Gorsel, Pohjamo, Procacci, Ries, Riis-Jørgensen, Rutelli, Sbarbati, Schmidt, Sterckx, Sørensen, Thors, Väyrynen, Vallvé, Vermeer, Virrankoski, Wallis, Watson

GUE/NGL: Blak

NI: Berthu, Beysen, Bonino, Cappato, Della Vedova, Dupuis, Hager, Ilgenfritz, Kronberger, de La Perriere, Paisley, Pannella, Souchet, Turco

PPE-DE: Almeida Garrett, Andria, Arvidsson, Atkins, Averoff, Avilés Perea, Ayuso González, Balfé, Banotti, Bartolozzi, Bastos, Bayona de Perogordo, Beazley, Berend, Böge, von Boetticher, Bowis, Bradbourn, Bremmer, Brienza, Brok, Brunetta, Bushill-Matthews, Callanan, Camisón Asensio, Cardoso, Cederschiöld, Chichester, Coelho, Corrie, Cushnahan, Deprez, Dimitrakopoulos, Dover, Doyle, Elles, Fatuzzo, Ferber, Fernández Martín, Ferrer, Ferri, Fiori, Flemming, Florenz, Folias, Foster, Friedrich, Gahler, Galeote Quecedo, García-Margallo y Marfil, García-Orcoyen Tormo, Gargani, Garriga Polledo, Gemelli, Gil-Robles Gil-Delgado, Glase, Goepel, Gomolka, Goodwill, Gouveia, Graça Moura, Grönfeldt Bergman, Hannan, Hansenne, Harbour, Hatzidakis, Heaton-Harris, Helmer, Hernández Mollar, Herranz García, Hieronymi, Inglewood, Jackson, Jarzembowski, Jeggle, Karas, Kastler, Keppelhoff-Wiechert, Khanbhai, Kirkhope, Klamt, Klaß, Koch, Konrad, Korhola, Kratsa-Tsagaropoulou, Lamassoure, Langen, Laschet, Lechner, Liese, Lisi, Lombardo, Lulling, Maat, McCartin, McMillan-Scott, Mann Thomas, Mantovani, Marinos, Marques, Martens, Matikainen-Kallström, Mauro, Mayer Hans-Peter, Mayer Xaver, Méndez de Vigo, Menrad, Mombaur, Morillon, Musotto, Naranjo Escobar, Nicholson, Niebler, Nisticò, Oomen-Ruijten, Oreja Arburúa, Pacheco Pereira, Pack, Parish, Pastorelli, Pérez Álvarez, Perry, Pex, Pirker, Piscarreta, Podestà, Poettering, Posselt, Pronk, Provan, Purvis, Quisthoudt-Rowohl, Radwan, Redondo Jiménez, Ripoll y Martínez de Bedoya, Røvsing, Rübige, Sacrédeus, Salafraña Sánchez-Neyra, Santini, Sartori, Scallon, Schierhuber, Schleicher, Schmitt, Schröder Jürgen, Schwaiger, Sommer, Stenmarck, Stenzel, Stevenson, Stockton, Sturdy, Sumberg, Suominen, Tajani, Tannock, Theato, Trakatellis, Twinn, Valdivielso de Cué, Van Orden, Varela Suanzes-Carpegna, van Velzen, Vidal-Quadras Roca, Villiers, Wenzel-Perillo, Wijkman, von Wogau, Wuermeling, Zabell, Zacharakis, Zappalà, Zimmerling

PSE: Lund, Paasilinna

UEN: Andrews, Camre, Collins, Crowley, Fitzsimons, Hyland, Marchiani, Ó Neachtain, Pasqua, Queiró, Ribeiro e Castro, Thomas-Mauro

Abstention: 13

NI: Borghezio, Gobbo, Speroni

PPE-DE: Costa Raffaele

UEN: Berlato, Bigliardo, Muscardini, Mussa, Musumeci, Nobilia, Poli Bortone, Turchi

Verts/ALE: Gahrton

Herzog report A5-0484/2003

Amendment 49

For: 116

EDD: Andersen, Belder, Blokland, Bonde, van Dam, Sandbæk

ELDR: De Clercq

GUE/NGL: Ainardi, Alavanos, Bakopoulos, Bergaz Conesa, Boudjenah, Brie, Caudron, Di Lello Finuoli, Fiebiger, Figueiredo, Frahm, Fraise, Herzog, Jové Peres, Kaufmann, Koulourianos, Krivine, Manisco, Markov, Marset Campos, Meijer, Modrow, Nair, Patakis, Puerta, Scarbonchi, Schmid Herman, Seppänen, Sjöstedt, Vachetta, Wurtz

NI: Gorostiaga Atxalandabaso, Kronberger

PPE-DE: Ferber

Wednesday 14 January 2004

PSE: van den Berg, Berger, Bösch, Carlotti, Darras, Dehousse, De Keyser, Désir, Dührkop Dührkop, El Khadraoui, Ettl, Fava, Ferreira, Fruteau, Garot, Gillig, Guy-Quint, Hazan, Jöns, Martin Hans-Peter, Mendiluce Pereiro, Patrie, Poignant, Prets, Rocard, Roure, Savary, Scheele, Sornosa Martínez, Swoboda, Vairinhos, Van Lancker, Zorba, Zrihen

Verts/ALE: Aaltonen, Ahern, Auroi, Boumediene-Thiery, Bouwman, Breyer, Buitenweg, Celli, Cohn-Bendit, Dhaene, Echerer, Evans Jillian, Ferrández Lezaun, Flautre, Frassoni, Gahrton, Graefe zu Baringdorf, Hudghton, Isler Béguin, Jonckheer, Lagendijk, Lambert, Lannoye, Lipietz, Lucas, MacCormick, McKenna, Maes, Mayol i Raynal, Onesta, Piétrasanta, Rod, de Roo, Rühle, Schörling, Schroedter, Sörensen, Turmes, Voggenhuber, Wuori, Wyn

Against: 391

EDD: Abitbol, Bernié, Booth, Butel, Esclopé, Farage, Kuntz, Mathieu, Saint-Josse

ELDR: Andreasen, André-Léonard, Attwooll, Busk, Calò, Clegg, Costa Paolo, Davies, Di Pietro, Duff, Dybkjær, Flesch, Formentini, Gasòliba i Böhm, Huhne, Jensen, Ludford, Lynne, Maaten, Malmström, Manders, Mulder, Newton Dunn, Nordmann, Olsson, Paulsen, Pesälä, Plooi-j-van Gorsel, Pohjamo, Procacci, Ries, Riis-Jørgensen, Rutelli, Sbarbati, Schmidt, Sterckx, Sørensen, Thors, Väyrynen, Vallvé, Van Hecke, Vermeer, Virrankoski, Wallis, Watson

NI: Berthu, Beysen, Bonino, Cappato, Claeys, Della Vedova, Dillen, Dupuis, Garaud, de Gaulle, Gollnisch, Hager, Lang, Martinez, Pannella, Souchet, Stirbois

PPE-DE: Almeida Garrett, Andria, Arvidsson, Atkins, Averoff, Avilés Perea, Ayuso González, Balfe, Banotti, Bartolozzi, Bastos, Bayona de Perogordo, Beazley, Bébéar, Berend, Böge, von Boetticher, Bowis, Bradbourn, Bremmer, Brienza, Brok, Brunetta, Bushill-Matthews, Camisón Asensio, Cardoso, Cederschiöld, Chichester, Cocilovo, Coelho, Cornillet, Corrie, Costa Raffaele, Cushnahan, Daul, Deprez, Descamps, De Veyrac, Dimitrakopoulos, Dover, Doyle, Ebner, Elles, Fatuzzo, Fernández Martín, Ferrer, Ferri, Fiori, Flemming, Florenz, Folias, Foster, Fournou, Friedrich, Gahler, Galeote Quecedo, García-Margallo y Marfil, García-Orcoyen Tormo, Gargani, Garriga Polledo, Gemelli, Gil-Robles Gil-Delgado, Glase, Goepel, Gomolka, Goodwill, Gouveia, Graça Moura, Grönfeldt Bergman, Grosch, Grossetête, Hannan, Hansenne, Harbour, Hatzidakis, Heaton-Harris, Helmer, Hermange, Hernández Mollar, Herranz García, Hieronymi, Inglewood, Jackson, Jarzembowski, Jeggle, Karas, Kastler, Keppelhoff-Wiechert, Khanbhai, Kirkhope, Klamt, Klauf, Koch, Konrad, Korhola, Lamassoure, Langen, Laschet, Lechner, Lehne, Liese, Lisi, Lombardo, Lulling, Maat, McCartin, McMillan-Scott, Mann Thomas, Mantovani, Marini, Marinos, Marques, Martens, Matikainen-Kallström, Mauro, Mayer Hans-Peter, Mayer Xaver, Méndez de Vigo, Menrad, Mombaur, Morillon, Musotto, Naranjo Escobar, Nicholson, Niebler, Nisticò, Oomen-Ruijten, Oreja Arburúa, Pacheco Pereira, Pack, Parish, Pastorelli, Pérez Álvarez, Perry, Pex, Pirker, Piscarreta, Podestà, Poettering, Posselt, Pronk, Purvis, Quisthoudt-Rowohl, Redondo Jiménez, Ripoll y Martínez de Bedoya, Rovsing, Rübig, Sacrédeus, Salafranca Sánchez-Neyra, Santer, Santini, Sartori, Scallan, Schaffner, Schleicher, Schmitt, Schröder Jürgen, Schwaiger, Smet, Sommer, Stenmarck, Stenzel, Stevenson, Stockton, Sturdy, Sudre, Sumberg, Suominen, Tajani, Tannock, Theato, Thyssen, Trakatellis, Twinn, Valdivielso de Cué, Van Orden, Varela Suanzes-Carpegna, van Velzen, de Veyrinas, Vidal-Quadras Roca, Villiers, Vlasto, Wenzel-Perillo, Wijkman, von Wogau, Wuermeling, Zabell, Zacharakis, Zappalà, Zimmerling

PSE: Andersson, Aparicio Sánchez, Baltas, Berenguer Fuster, Bowe, Campos, Casaca, Cercas, Ceyhun, Corbett, Corbey, De Rossa, Díez González, Duin, Evans Robert J.E., Färm, Ford, Gebhardt, Gill, Glante, Goebbels, Görlach, Gröner, Hänsch, Haug, Hedkvist Petersen, Honeyball, Howitt, Hughes, van Hulst, Hume, Iivari, Imbeni, Izquierdo Collado, Izquierdo Rojo, Junker, Karamanou, Karlsson, Katiforis, Kessler, Kindermann, Kinnock, Koukiadis, Krehl, Kreissl-Dörfler, Kuckelkorn, Kuhne, Lage, Lange, Lavarra, Leinen, Linkohr, Lund, McAvan, McCarthy, McNally, Malliori, Mann Erika, Marinho, Martin David W., Martínez Martínez, Mastorakis, Medina Ortega, Menéndez del Valle, Miguélez Ramos, Miller, Miranda de Lage, Moraes, Morgan, Müller, Murphy, Myller, Napoletano, O'Toole, Paasilinna, Paciotti, Piecyk, Pittella, Poos, Rapkay, Roth-Behrendt, Rothe, Rothley, Ruffolo, Sacconi, Sakellariou, Sandberg-Fries, dos Santos, Sauquillo Pérez del Arco, Schmid Gerhard, Schulz, Simpson, Skinner, Soares, Souladakis, Sousa Pinto, Stihler, Stockmann, Swiebel, Theorin, Thorning-Schmidt, Titley, Torres Marques, Volcic, Walter, Watts, Weiler, Whitehead, Wiersma, Wynn

UEN: Andrews, Berlato, Bigliardo, Camre, Collins, Crowley, Fitzsimons, Hyland, Marchiani, Muscardini, Mussa, Musumeci, Nobilia, Ó Neachtain, Pasqua, Poli Bortone, Queiró, Ribeiro e Castro, Thomas-Mauro, Turchi

Wednesday 14 January 2004

Abstention: 8**EDD:** Coûteaux**GUE/NGL:** Blak**NI:** Borghezio, Gobbo, Ilgenfritz, Speroni**PSE:** Duhamel, Lalumière**Herzog report A5-0484/2003****Paragraph 45****For: 386**

ELDR: Andreasen, André-Léonard, Attwooll, Busk, Calò, Clegg, Costa Paolo, Davies, De Clercq, Di Pietro, Duff, Dybkjær, Formentini, Gasòliba i Böhm, Huhne, Jensen, Ludford, Lynne, Maaten, Manders, Monsonís Domingo, Mulder, Newton Dunn, Olsson, Paulsen, Pesälä, Plooij-van Gorsel, Pohjamo, Procacci, Ries, Rutelli, Schmidt, Sterckx, Sørensen, Thors, Väyrynen, Vallvé, Van Hecke, Vermeer, Virrankoski, Wallis, Watson

GUE/NGL: Blak**NI:** Beysen, Bonino, Cappato, Della Vedova, Dupuis, Hager, Ilgenfritz, Kronberger, Paisley, Pannella, Turco

PPE-DE: Almeida Garrett, Andria, Arvidsson, Atkins, Averoff, Avilés Perea, Ayuso González, Balfé, Banotti, Bartolozzi, Bastos, Bayona de Perogordo, Beazley, Bébéar, Berend, Böge, von Boetticher, Bourlanges, Bowis, Bradbourn, Bremmer, Brienza, Brok, Bushill-Matthews, Callanan, Camisón Asensio, Cardoso, Cederschiöld, Chichester, Cocilovo, Coelho, Cornillet, Corrie, Costa Raffaele, Cushnahan, Daul, Deprez, Descamps, De Veyrac, Dimitrakopoulos, Dover, Doyle, Ebner, Elles, Fatuzzo, Ferber, Fernández Martín, Ferrer, Ferri, Fiori, Flemming, Florenz, Folias, Foster, Fourtou, Friedrich, Gahler, Galeote Quecedo, García-Margallo y Marfil, García-Orcoyen Tormo, Gargani, Garriga Polledo, Gemelli, Gil-Robles Gil-Delgado, Glase, Goepel, Gomolka, Goodwill, Gouveia, Graça Moura, Grönfeldt Bergman, Grosch, Grossetête, Hannan, Hansenne, Harbour, Hatzidakis, Heaton-Harris, Helmer, Hermange, Hernández Mollar, Herranz García, Hieronymi, Inglewood, Jackson, Jarzembowski, Jeggler, Karas, Kastler, Keppelhoff-Wiechert, Khanbhai, Kirkhope, Klamt, Klauf, Koch, Konrad, Korhola, Kratsa-Tsagaropoulou, Lamassoure, Langen, Laschet, Lechner, Lehne, Liese, Lisi, Lombardo, Lulling, Maat, McMillan-Scott, Mann Thomas, Mantovani, Marini, Marinos, Marques, Martens, Matikainen-Kallström, Mauro, Mayer Hans-Peter, Mayer Xaver, Méndez de Vigo, Menrad, Morillon, Musotto, Naranjo Escobar, Nicholson, Niebler, Nisticò, Oomen-Ruijten, Oreja Arburúa, Pacheco Pereira, Pack, Parish, Pastorelli, Pérez Álvarez, Perry, Pex, Pirker, Piscarreta, Podestà, Poettering, Pomés Ruiz, Posselt, Pronk, Purvis, Quisthoudt-Rowohl, Radwan, Redondo Jiménez, Ripoll y Martínez de Bedoya, Røvsing, Rübig, Sacrédeus, Salafranca Sánchez-Neyra, Santer, Santini, Sartori, Scallon, Schaffner, Schierhuber, Schleicher, Schmitt, Schröder Jürgen, Schwaiger, Smet, Sommer, Stenmarck, Stenzel, Stevenson, Stockton, Sturdy, Sudre, Sumberg, Suominen, Tajani, Tannock, Theato, Thyssen, Trakatellis, Twinn, Valdivielso de Cué, Van Orden, Varela Suanzes-Carpegna, van Velzen, de Veyrinas, Vidal-Quadras Roca, Villiers, Vlasto, Wenzel-Perillo, Wijkman, von Wogau, Wuermeling, Zabell, Zacharakis, Zappalà, Zimmerling

PSE: Andersson, Aparicio Sánchez, Baltas, Berenguer Fuster, van den Berg, Berger, Bösch, Bowe, Bullmann, Campos, Casaca, Cercas, Ceyhun, Corbett, Corbey, Darras, De Rossa, Désir, Díez González, Duhamel, Duin, Ettl, Evans Robert J.E., Färm, Fava, Ferreira, Ford, Fruteau, Garot, Gebhardt, Gill, Glante, Goebbels, Görlach, Gröner, Hänsch, Haug, Hedkvist Petersen, Honeyball, Howitt, Hughes, van Hulst, Hume, Iivari, Imbeni, Izquierdo Collado, Izquierdo Rojo, Jöns, Junker, Karamanou, Karlsson, Katiforis, Keßler, Kindermann, Kinnock, Koukiadis, Krehl, Kreissl-Dörfler, Kuckelkorn, Kuhne, Lage, Lalumière, Lange, Lavarra, Leinen, Linkohr, Lund, McAvan, McCarthy, McNally, Malliori, Mann Erika, Marinho, Martin David W., Martin Hans-Peter, Martínez Martínez, Mastorakis, Medina Ortega, Mendiluce Pereiro, Menéndez del Valle, Miguélez Ramos, Miller, Miranda de Lage, Moraes, Morgan, Murphy, Myller, Napoletano, O'Toole, Paasilinna, Paciotti, Patrie, Piecyk, Pittella, Poinçon, Poos, Prets, Rapkay, Read, Rocard, Roth-Behrendt, Rothe, Rothley, Roure, Ruffolo, Sacconi, Sakellariou, Sandberg-Fries, dos Santos, Sauquillo Pérez del Arco, Savary, Schmid Gerhard, Schulz, Simpson, Skinner, Soares, Sornosa Martínez, Souladakis, Sousa Pinto, Stihler, Stockmann, Swiebel, Swoboda, Theorin, Thorning-Schmidt, Titley, Torres Marques, Vairinhos, Volcic, Walter, Watts, Weiler, Whitehead, Wiersma, Wynn, Zorba

Wednesday 14 January 2004

UEN: Segni

Verts/ALE: Flautre

Against: 135

EDD: Abitbol, Andersen, Bernié, Bonde, Booth, Butel, Esclopé, Farage, Kuntz, Mathieu, Saint-Josse, Sandbæk, Titford

ELDR: Nordmann, Riis-Jørgensen, Sbarbati

GUE/NGL: Ainardi, Alavanos, Bakopoulos, Bergaz Conesa, Bordes, Boudjenah, Brie, Caudron, Cauquil, Di Lello Finuoli, Fiebigler, Figueiredo, Frahm, Fraisse, Herzog, Jové Peres, Kaufmann, Koulourianos, Krivine, Laguiller, Manisco, Markov, Marset Campos, Meijer, Modrow, Nair, Patakis, Puerta, Scarbonchi, Schmid Herman, Schröder Ilka, Seppänen, Sjöstedt, Vachetta, Wurtz

NI: Berthu, Claeys, Dillen, Garaud, de Gaulle, Gollnisch, Gorostiaga Atxalandabaso, Lang, de La Perriere, Martinez, Souchet, Stirbois

PPE-DE: Mombaur

PSE: Berès, Carlotti, Dehousse, De Keyser, El Khadraoui, Gillig, Guy-Quint, Hazan, Scheele, Van Lancker, Zrihen

UEN: Andrews, Berlato, Bigliardo, Camre, Collins, Crowley, Fitzsimons, Hyland, Marchiani, Muscardini, Mussa, Musumeci, Nobilia, Ó Neachtain, Pasqua, Poli Bortone, Queiró, Ribeiro e Castro, Thomas-Mauro, Turchi

Verts/ALE: Aaltonen, Ahern, Auroi, Boumediene-Thiery, Bouwman, Breyer, Buitenweg, Celli, Cohn-Bendit, Dhaene, Echerer, Evans Jillian, Ferrández Lezaun, Frassoni, Gahrton, Graefe zu Baringdorf, Hudghton, Isler Béguin, Jonckheer, Lagendijk, Lambert, Lannoye, Lipietz, Lucas, MacCormick, McKenna, Maes, Mayol i Raynal, Onesta, Piétrasanta, Rod, de Roo, Rühle, Schörling, Schroedter, Sörensen, Turmes, Voggenhuber, Wuori, Wyn

Abstention: 8

EDD: Belder, Blokland, Coûteaux, van Dam

ELDR: Flesch

NI: Borghezio, Gobbo, Speroni

Herzog report A5-0484/2003

Amendment 103

For: 265

EDD: Abitbol, Andersen, Bernié, Bonde, Butel, Coûteaux, Esclopé, Kuntz, Mathieu, Saint-Josse, Sandbæk

ELDR: Di Pietro, Sbarbati, Väyrynen, Van Hecke, Virrankoski

GUE/NGL: Ainardi, Alavanos, Bakopoulos, Bergaz Conesa, Boudjenah, Brie, Caudron, Di Lello Finuoli, Fiebigler, Figueiredo, Frahm, Fraisse, Herzog, Jové Peres, Kaufmann, Koulourianos, Krivine, Manisco, Markov, Marset Campos, Meijer, Modrow, Nair, Patakis, Puerta, Scarbonchi, Schmid Herman, Schröder Ilka, Seppänen, Sjöstedt, Vachetta, Wurtz

NI: Borghezio, Claeys, Dillen, Garaud, de Gaulle, Gobbo, Gollnisch, Gorostiaga Atxalandabaso, Ilgenfritz, Kronberger, Lang, Martinez, Paisley, Speroni, Stirbois

PPE-DE: Flemming, Grosch, Kastler, Klamt, Maat, Martens, Mauro, Musotto, Niebler, Rübig, Santer, Schleicher, Sommer, Stenzel, Thyssen, Wijkman

Wednesday 14 January 2004

PSE: Andersson, Aparicio Sánchez, Baltas, Berenguer Fuster, Berès, van den Berg, Berger, Bösch, Bowe, Bullmann, Campos, Carlotti, Casaca, Cercas, Ceyhun, Corbett, Corbey, Darras, Dehousse, De Keyser, De Rossa, Désir, Díez González, Dührkop Dührkop, Duhamel, Duin, El Khadraoui, Ettl, Evans Robert J.E., Färm, Fava, Ferreira, Ford, Fruteau, Garot, Gebhardt, Gill, Gillig, Glante, Goebbels, Görlach, Gröner, Guy-Quint, Hänsch, Haug, Hazan, Hedkvist Petersen, Honeyball, Howitt, Hughes, van Hulten, Hume, Iivari, Imbeni, Izquierdo Collado, Izquierdo Rojo, Jöns, Junker, Karamanou, Karlsson, Katiforis, Keßler, Kindermann, Kinnock, Koukiadis, Krehl, Kreissl-Dörfler, Kuckelkorn, Kuhne, Lage, Lalumière, Lange, Lavarra, Leinen, Linkohr, Lund, McAvan, McCarthy, McNally, Malliori, Mann Erika, Marinho, Martin David W., Martin Hans-Peter, Martínez Martínez, Mastorakis, Medina Ortega, Mendiluce Pereiro, Menéndez del Valle, Miguélez Ramos, Miller, Miranda de Lage, Moraes, Morgan, Müller, Murphy, Myller, Napoletano, O'Toole, Paasilinna, Paciotti, Patrie, Piecyk, Pittella, Poignant, Poos, Prets, Rapkay, Read, Rocard, Roth-Behrendt, Rothe, Rothley, Roure, Ruffolo, Sacconi, Sakellariou, Sandberg-Fries, dos Santos, Sauquillo Pérez del Arco, Savary, Scheele, Schmid Gerhard, Schulz, Simpson, Soares, Sornosa Martínez, Souladakis, Sousa Pinto, Stihler, Stockmann, Swiebel, Swoboda, Theorin, Thorning-Schmidt, Titley, Torres Marques, Vairinhos, Van Lancker, Volcic, Walter, Weiler, Whitehead, Wiersma, Wynn, Zorba, Zrihen

UEN: Camre

Verts/ALE: Aaltonen, Ahern, Auroi, Boumediene-Thiery, Bouwman, Breyer, Buitenweg, Celli, Cohn-Bendit, Echerer, Evans Jillian, Ferrández Lezaun, Flautre, Frassoni, Gahrton, Graefe zu Baringdorf, Isler Béguin, Jonckheer, Lagendijk, Lambert, Lannoye, Lipietz, Lucas, MacCormick, McKenna, Maes, Mayol i Raynal, Onesta, Piétrasanta, Rod, de Roo, Rühle, Schroedter, Sørensen, Turmes, Voggenhuber, Wuori, Wyn

Against: 249

EDD: Belder, Blokland, van Dam

ELDR: Andreasen, André-Léonard, Attwooll, Busk, Calò, Clegg, Costa Paolo, Davies, De Clercq, Duff, Dybkjær, Flesch, Gasòliba i Böhm, Huhne, Jensen, Ludford, Lynne, Maaten, Malmström, Manders, Monsonís Domingo, Mulder, Newton Dunn, Nordmann, Olsson, Paulsen, Pesälä, Plooi-jan Gorsel, Pohjamo, Procacci, Riis-Jørgensen, Rutelli, Schmidt, Sterckx, Sørensen, Thors, Vallvé, Vermeer, Wallis, Watson

GUE/NGL: Blak

NI: Beysen, Cappato, Della Vedova, Dupuis, Pannella, Turco

PPE-DE: Almeida Garrett, Andria, Arvidsson, Atkins, Averoff, Avilés Perea, Ayuso González, Balfe, Banotti, Bartolozzi, Bastos, Bayona de Perogordo, Beazley, Bébéar, Berend, Böge, von Boetticher, Bourlanges, Bowis, Bradbourn, Bremmer, Brienza, Brok, Brunetta, Bushill-Matthews, Callanan, Camisón Asensio, Cardoso, Cederschiöld, Chichester, Cocilovo, Coelho, Cornillet, Corrie, Costa Raffaele, Cushnahan, Daul, Deprez, Descamps, De Veyrac, Dimitrakopoulos, Dover, Doyle, Ebner, Elles, Fatuzzo, Ferber, Fernández Martín, Ferrer, Ferri, Fiori, Florenz, Folias, Foster, Fourtou, Friedrich, Gahler, Galeote Quecedo, García-Margallo y Marfil, García-Orcóyen Tormo, Gargani, Garriga Polledo, Gemelli, Gil-Robles Gil-Delgado, Glase, Goepel, Gomolka, Goodwill, Graça Moura, Grönfeldt Bergman, Grossetête, Hannan, Hansenne, Harbour, Hatzidakis, Heaton-Harris, Helmer, Hermange, Hernández Mollar, Herranz García, Hieronymi, Inglewood, Jackson, Jarzembowski, Jeggle, Karas, Keppelhoff-Wiechert, Khanbhai, Klaß, Koch, Konrad, Korhola, Kratsa-Tsagaropoulou, Lamassoure, Langen, Laschet, Lechner, Lehne, Liese, Lisi, Lombardo, Lulling, McCartin, McMillan-Scott, Mann Thomas, Mantovani, Marini, Marinos, Marques, Matikainen-Kallström, Mayer Hans-Peter, Mayer Xaver, Méndez de Vigo, Menrad, Mombaur, Morillon, Naranjo Escobar, Nicholson, Nisticò, Oomen-Ruijten, Oreja Arburúa, Pacheco Pereira, Pack, Parish, Pastorelli, Pérez Álvarez, Perry, Pex, Piscarreta, Podestà, Poettering, Pomés Ruiz, Posselt, Pronk, Provan, Purvis, Quisthoudt-Rowohl, Radwan, Redondo Jiménez, Ripoll y Martínez de Bedoya, Røvsing, Sacrédeus, Salafraña Sánchez-Neyra, Santini, Sartori, Schaffner, Schierhuber, Schmitt, Schröder Jürgen, Schwaiger, Stenmarck, Stevenson, Stockton, Sturdy, Sudre, Sumberg, Suominen, Tajani, Tannock, Theato, Trakatellis, Twinn, Valdivielso de Cué, Van Orden, Varela Suanzes-Carpegna, van Velzen, de Veyrinas, Vidal-Quadras Roca, Villiers, Vlasto, Wenzel-Perillo, von Wogau, Wuermeling, Zabell, Zacharakis, Zappalà, Zimmerling, Zissener

PSE: Skinner, Watts

UEN: Andrews, Berlato, Bigliardo, Collins, Crowley, Fitzsimons, Hyland, Marchiani, Muscardini, Mussa, Musumeci, Nobilia, Ó Neachtain, Pasqua, Poli Bortone, Queiró, Ribeiro e Castro, Segni, Thomas-Mauro

Wednesday 14 January 2004

Abstention: 11

EDD: Booth, Farage, Titford

ELDR: Ries

GUE/NGL: Bordes, Cauquil, Laguiller

NI: Berthu, de La Perriere, Souchet

Verts/ALE: Hudghton

Herzog report A5-0484/2003

Amendment 51

For: 266

EDD: Andersen, Belder, Blokland, Bonde, van Dam, Saint-Josse, Sandbæk

ELDR: Calò, Costa Paolo, Davies, Di Pietro, Dybkjær, Manders, Mulder, Paulsen, Pohjamo, Ries, Rutelli, Sbarbati, Schmidt, Väyrynen, Van Hecke, Virrankoski, Wallis

GUE/NGL: Ainardi, Alavanos, Bakopoulos, Bergaz Conesa, Boudjenah, Brie, Caudron, Di Lello Finuoli, Fiebigler, Figueiredo, Frahm, Fraisse, Herzog, Jové Peres, Kaufmann, Koulourianos, Krivine, Manisco, Markov, Marset Campos, Meijer, Modrow, Nair, Puerta, Scarbonchi, Schröder Ilka, Vachetta, Wurtz

NI: Borghezio, Gobbo, Gorostiaga Atxalandabaso, Kronberger, Paisley, Speroni

PPE-DE: Ayuso González, Bayona de Perogordo, Garriga Polledo, Grönfeldt Bergman, Jackson, Karas, Kastler, Klant, Koch, Konrad, Laschet, Mauro, Perry, Pirker, Posselt, Radwan, Santini, Schleicher, Sommer, Stevenson, Vidal-Quadras Roca, von Wogau

PSE: Andersson, Baltas, Berenguer Fuster, Berès, van den Berg, Berger, Bösch, Bowe, Bullmann, Campos, Carlotti, Casaca, Ceyhun, Corbett, Corbey, Darras, De Keyser, De Rossa, Désir, Díez González, Dührkop Dührkop, Duhamel, Duin, El Khadraoui, Ettl, Evans Robert J.E., Färm, Fava, Ferreira, Ford, Fruteau, Garot, Gill, Gillig, Glante, Goebbels, Gröner, Guy-Quint, Hänsch, Haug, Hazan, Hedkvist Petersen, Honeyball, Howitt, Hughes, van Hulsten, Hume, Iivari, Imbeni, Izquierdo Collado, Izquierdo Rojo, Jöns, Junker, Karamanou, Karlsson, Katiforis, Keßler, Kindermann, Kinnock, Koukiadis, Krehl, Kreissl-Dörfler, Kuckelkorn, Kuhne, Lage, Lalumière, Lange, Lavarra, Leinen, Linkohr, Lund, McAvan, McCarthy, McNally, Malliori, Mann Erika, Marinho, Martin David W., Martin Hans-Peter, Martínez Martínez, Mastorakis, Medina Ortega, Mendiluce Pereiro, Menéndez del Valle, Miguélez Ramos, Miller, Miranda de Lage, Moraes, Morgan, Müller, Murphy, Myller, Napoletano, O'Toole, Paasilinna, Paciotti, Patrie, Piecyk, Pittella, Poignant, Poos, Prets, Rapkay, Read, Rocard, Roth-Behrendt, Rothe, Rothley, Roure, Ruffolo, Sacconi, Sakellariou, Sandberg-Fries, dos Santos, Sauquillo Pérez del Arco, Savary, Scheele, Schmid Gerhard, Schulz, Simpson, Soares, Sornosa Martínez, Souladakis, Sousa Pinto, Stihler, Stockmann, Swiebel, Swoboda, Theorin, Thorning-Schmidt, Titley, Torres Marques, Vairinhos, Van Lancker, Volcic, Walter, Watts, Weiler, Whitehead, Wiersma, Wynn, Zorba, Zrihen

UEN: Camre, Segni

Verts/ALE: Aaltonen, Ahern, Auroi, Boumediene-Thiery, Bouwman, Breyer, Buitenweg, Celli, Cohn-Bendit, Dhaene, Echerer, Evans Jillian, Ferrández Lezaun, Flautre, Frassoni, Gahrton, Graefe zu Baringdorf, Hudghton, Isler Béguin, Jonckheer, Lagendijk, Lambert, Lannoye, Lipietz, Lucas, MacCormick, McKenna, Maes, Mayol i Raynal, Onesta, Piétrasanta, Rod, de Roo, Rühle, Schörling, Schroedter, Sörensen, Turmes, Voggenhuber, Wuori, Wyn

Against: 233

EDD: Booth, Farage, Titford

ELDR: Andreasen, André-Léonard, Attwooll, Busk, Clegg, De Clercq, Duff, Flesch, Gasòliba i Böhm, Huhne, Jensen, Ludford, Lynne, Maaten, Monsonís Domingo, Newton Dunn, Nordmann, Olsson, Pesälä, Plooij-van Gorsel, Procacci, Riis-Jørgensen, Sterckx, Sørensen, Thors, Vallvé, Vermeer, Watson

Wednesday 14 January 2004

GUE/NGL: Blak**NI:** Berthu, Beysen, Bonino, Cappato, Della Vedova, Dupuis, Hager, Ilgenfritz, de La Perriere, Pannella, Souchet, Turco**PPE-DE:** Almeida Garrett, Andria, Arvidsson, Atkins, Averoff, Avilés Perea, Balfé, Banotti, Bartolozzi, Bastos, Beazley, Bébéar, Berend, Böge, von Boetticher, Bourlanges, Bowis, Bradbourn, Bremmer, Brienza, Brok, Brunetta, Bushill-Matthews, Callanan, Camisón Asensio, Cardoso, Cederschiöld, Chichester, Cocilovo, Coelho, Cornillet, Corrie, Cushnahan, Daul, Deprez, Descamps, De Veyrac, Dimitrakopoulos, Dover, Doyle, Ebner, Elles, Fatuzzo, Ferber, Fernández Martín, Ferrer, Ferri, Fiori, Florenz, Folias, Foster, Fourtou, Friedrich, Gahler, Galeote Quecedo, García-Margallo y Marfil, García-Orcoyen Tormo, Gargani, Gemelli, Gil-Robles Gil-Delgado, Glase, Goepel, Gomolka, Goodwill, Graça Moura, Grosch, Grossetête, Hannan, Hansenne, Harbour, Hatzidakis, Heaton-Harris, Helmer, Hermange, Hernández Mollar, Herranz García, Hieronymi, Inglewood, Jarzembowski, Keppelhoff-Wiechert, Khanbhai, Kirkhope, Klaß, Korhola, Kratsa-Tsagaropoulou, Lamassoure, Langen, Lechner, Lehne, Liese, Lisi, Lombardo, Lulling, Maat, McCartin, McMillan-Scott, Mann Thomas, Mantovani, Marini, Marinos, Marques, Martens, Matikainen-Kallström, Mayer Hans-Peter, Mayer Xaver, Méndez de Vigo, Menrad, Mombaur, Morillon, Musotto, Naranjo Escobar, Nicholson, Niebler, Nisticò, Oomen-Ruijten, Oreja Arburúa, Pacheco Pereira, Pack, Parish, Pastorelli, Pérez Álvarez, Pex, Piscarreta, Podestà, Poettering, Pomés Ruiz, Pronk, Provan, Purvis, Quisthoudt-Rowohl, Redondo Jiménez, Ripoll y Martínez de Bedoya, Rovsing, Rübig, Sacrédeus, Salafranca Sánchez-Neyra, Santer, Sartori, Schaffner, Schmitt, Schröder Jürgen, Schwaiger, Smet, Stenmarck, Stenzel, Stockton, Sturdy, Sudre, Sumberg, Suominen, Tajani, Tannock, Theato, Thyssen, Trakatellis, Twinn, Valdivielso de Cué, Van Orden, Varela Suanzes-Carpegna, van Velzen, de Veyrinas, Villiers, Vlasto, Wenzel-Perillo, Wurmeling, Zabell, Zacharakis, Zappalà, Zimmerling, Zissener**PSE:** Skinner**UEN:** Andrews, Berlato, Bigliardo, Collins, Crowley, Fitzsimons, Hyland, Marchiani, Muscardini, Mussa, Musumeci, Nobilia, Ó Neachtain, Pasqua, Poli Bortone, Queiró, Ribeiro e Castro, Thomas-Mauro**Abstention: 21****EDD:** Abitbol, Bernié, Butel, Coûteaux, Esclopé, Kuntz, Mathieu**GUE/NGL:** Schmid Herman, Seppänen, Sjöstedt**NI:** Claeys, Dillen, Garaud, de Gaulle, Gollnisch, Lang, Martinez, Stirbois**PPE-DE:** Costa Raffaele, Wijkman**PSE:** Dehousse**Herzog report A5-0484/2003****Paragraph 51****For: 464****EDD:** Belder, Bernié, Blokland, Butel, van Dam, Esclopé, Mathieu, Saint-Josse**ELDR:** Andreasen, Attwooll, Busk, Calò, Clegg, Costa Paolo, Davies, De Clercq, Di Pietro, Duff, Dybkjær, Flesch, Gasòliba i Böhm, Huhne, Jensen, Ludford, Lynne, Maaten, Malmström, Manders, Mulder, Newton Dunn, Olsson, Paulsen, Pesälä, Plooij-van Gorsel, Pohjamo, Procacci, Ries, Riis-Jørgensen, Rutelli, Sbarbati, Schmidt, Sterckx, Sørensen, Thors, Väyrynen, Vallvé, Van Hecke, Vermeer, Virrankoski, Wallis, Watson**GUE/NGL:** Ainardi, Alavanos, Bakopoulos, Bergaz Conesa, Boudjenah, Brie, Caudron, Fiebiger, Figueiredo, Fraisse, Herzog, Jové Peres, Kaufmann, Koulourianos, Krivine, Manisco, Markov, Marset Campos, Meijer, Modrow, Nair, Puerta, Scarbonchi, Schröder Ilka, Vachetta, Wurtz**NI:** Beysen, Bonino, Borghezio, Cappato, Della Vedova, Dupuis, Gobbo, Gorostiaga Atxalandabaso, Hager, Kronberger, Paisley, Pannella, Turco**PPE-DE:** Almeida Garrett, Andria, Arvidsson, Atkins, Averoff, Avilés Perea, Ayuso González, Balfé, Banotti, Bartolozzi, Bastos, Bayona de Perogordo, Beazley, Berend, Böge, von Boetticher, Bourlanges, Bowis,

Wednesday 14 January 2004

Bradbourn, Bremmer, Brienza, Brok, Brunetta, Bushill-Matthews, Callanan, Camisón Asensio, Cardoso, Cederschiöld, Chichester, Cocilovo, Coelho, Cornillet, Corrie, Costa Raffaele, Cushnahan, Daul, Deprez, Descamps, De Veyrac, Dimitrakopoulos, Dover, Doyle, Ebner, Elles, Fatuzzo, Ferber, Fernández Martín, Ferrer, Ferri, Fiori, Florenz, Folias, Fournou, Friedrich, Gahler, Galeote Quecedo, García-Margallo y Marfil, García-Orcoyen Tormo, Gargani, Garriga Polledo, Gemelli, Gil-Robles Gil-Delgado, Glase, Goepel, Gomolka, Goodwill, Gouveia, Grönfeldt Bergman, Grossetête, Hansenne, Hatzidakis, Helmer, Hermange, Herranz García, Hieronymi, Inglewood, Jarzembowski, Jeggle, Karas, Kastler, Keppelhoff-Wiechert, Khanbhai, Kirkhope, Klamt, Klauf, Koch, Konrad, Korhola, Kratsa-Tsagaropoulou, Lamassoure, Langen, Laschet, Lechner, Lehne, Liese, Lisi, Lombardo, Lulling, Maat, McCartin, Mann Thomas, Mantovani, Marini, Marinos, Marques, Martens, Matikainen-Kallström, Mauro, Mayer Hans-Peter, Mayer Xaver, Méndez de Vigo, Menrad, Mombaur, Morillon, Musotto, Naranjo Escobar, Niebler, Nisticò, Oomen-Ruijten, Pacheco Pereira, Pack, Pastorelli, Pérez Álvarez, Perry, Pex, Piscarreta, Podestà, Poettering, Posselt, Pronk, Provan, Purvis, Quisthoudt-Rowohl, Radwan, Redondo Jiménez, Ripoll y Martínez de Bedoya, Rovsing, Rübig, Sacrédeus, Salafranca Sánchez-Neyra, Santer, Santini, Sartori, Scallon, Schaffner, Schierhuber, Schleicher, Schmitt, Schröder Jürgen, Smet, Stenmarck, Stenzel, Stevenson, Sturdy, Sudre, Sumberg, Suominen, Tajani, Tannock, Theato, Trakatellis, Twinn, Valdivielso de Cué, Van Orden, Varela Suanzes-Carpegna, van Velzen, de Veyrinas, Vidal-Quadras Roca, Villiers, Vlasto, Wenzel-Perillo, Wijkman, von Wogau, Wuermeling, Zabell, Zacharakis, Zappalà, Zimmerling, Zissener

PSE: Andersson, Aparicio Sánchez, Baltas, Berenguer Fuster, Berès, van den Berg, Berger, Bösch, Bowe, Bullmann, Campos, Carlotti, Casaca, Cercas, Ceyhun, Corbett, Corbey, Darras, De Keyser, De Rossa, Désir, Díez González, Dührkop Dührkop, Duhamel, Duin, El Khadraoui, Ettl, Evans Robert J.E., Färm, Fava, Ferreira, Ford, Fruteau, Garot, Gebhardt, Gill, Gillig, Glante, Görlach, Gröner, Guy-Quint, Hänsch, Haug, Hazan, Hedkvist Petersen, Honeyball, Howitt, Hughes, van Hulten, Hume, Iivari, Imbeni, Izquierdo Collado, Izquierdo Rojo, Jöns, Junker, Karamanou, Karlsson, Katiforis, Keßler, Kindermann, Kinnock, Koukiadis, Krehl, Kreissl-Dörfler, Kuckelkorn, Kuhne, Lage, Lalumière, Lange, Lavarra, Leinen, Linkohr, Lund, McAvan, McCarthy, McNally, Malliori, Mann Erika, Marinho, Martin David W., Martin Hans-Peter, Martínez Martínez, Mastorakis, Medina Ortega, Mendiluce Pereiro, Menéndez del Valle, Miguélez Ramos, Miller, Miranda de Lage, Moraes, Morgan, Müller, Murphy, Myller, Napoletano, O'Toole, Paasilinna, Paciotti, Patrie, Piecyk, Pittella, Poignant, Poos, Prets, Rapkay, Read, Rocard, Roth-Behrendt, Rothe, Rothley, Roure, Ruffolo, Sacconi, Sakellariou, Sandberg-Fries, dos Santos, Sauquillo Pérez del Arco, Savary, Scheele, Schmid Gerhard, Schulz, Simpson, Skinner, Soares, Souladakis, Sousa Pinto, Stihler, Stockmann, Swiebel, Swoboda, Theorin, Thorning-Schmidt, Titley, Torres Marques, Vairinhos, Van Lancker, Volcic, Walter, Watts, Weiler, Whitehead, Wiersma, Wynn, Zorba, Zrihen

UEN: Andrews, Bigliardo, Musumeci, Nobilia, Pasqua, Poli Bortone, Ribeiro e Castro

Verts/ALE: Aaltonen, Ahern, Auroi, Boumediene-Thiery, Bouwman, Breyer, Buitenweg, Celli, Cohn-Bendit, Dhaene, Echerer, Evans Jillian, Ferrández Lezaun, Flautre, Frassoni, Gahrton, Graefe zu Baringdorf, Hudghton, Isler Béguin, Jonckheer, Lagendijk, Lambert, Lannoye, Lipietz, Lucas, MacCormick, McKenna, Maes, Mayol i Raynal, Onesta, Piétrasanta, Rod, de Roo, Rühle, Schörling, Schroedter, Sörensen, Turmes, Voggenhuber, Wuori, Wynn

Against: 41

EDD: Abitbol, Booth, Coûteaux, Farage, Kuntz, Titford

ELDR: André-Léonard, Nordmann

GUE/NGL: Blak, Di Lello Finuoli

NI: Berthu, Ilgenfritz, de La Perriere, Souchet

PPE-DE: Flemming, Foster, Graça Moura, Hannan, Harbour, Heaton-Harris, Hernández Mollar, McMillan-Scott, Nicholson, Parish, Pirker, Pomés Ruiz, Schwaiger, Sommer, Stockton

PSE: Dehousse

UEN: Berlato, Camre, Collins, Crowley, Fitzsimons, Marchiani, Muscardini, Mussa, Ó Neachtain, Queiró, Thomas-Mauro

Wednesday 14 January 2004

Abstention: 19**EDD:** Andersen, Bonde, Sandbæk**GUE/NGL:** Bordes, Cauquil, Frahm, Laguiller, Patakis, Schmid Herman, Seppänen, Sjöstedt**NI:** Claeys, Dillen, Garaud, de Gaulle, Gollnisch, Lang, Martinez, Stirbois**Herzog report A5-0484/2003****Amendment 36****For: 395****EDD:** Abitbol, Andersen, Bernié, Bonde, Butel, Esclopé, Mathieu, Saint-Josse, Sandbæk**ELDR:** Di Pietro, Nordmann, Procacci, Rutelli, Sbarbati, Van Hecke**GUE/NGL:** Ainaridi, Alavanos, Bakopoulos, Bergaz Conesa, Boudjenah, Brie, Caudron, Di Lello Finuoli, Fiebiger, Figueiredo, Frahm, Fraisse, Herzog, Jové Peres, Kaufmann, Koulourianos, Krivine, Manisco, Markov, Marset Campos, Meijer, Modrow, Nair, Patakis, Puerta, Scarbonchi, Schmid Herman, Schröder Ilka, Seppänen, Sjöstedt, Vachetta, Wurtz**NI:** Beysen, Gorostiaga Atxalandabaso**PPE-DE:** Almeida Garrett, Andria, Arvidsson, Averoff, Avilés Perea, Ayuso González, Banotti, Bartolozzi, Bastos, Bébéar, Berend, von Boetticher, Bourlanges, Bremmer, Brienza, Brok, Brunetta, Camisón Asensio, Cardoso, Cederschiöld, Cocilovo, Coelho, Cornillet, Costa Raffaele, Cushnahan, Daul, Deprez, Descamps, De Veyrac, Dimitrakopoulos, Doyle, Ebner, Fatuzzo, Ferber, Fernández Martín, Ferrer, Ferri, Fiori, Flemming, Florenz, Folias, Fourtou, Friedrich, Gahler, Galeote Quecedo, García-Margallo y Marfil, García-Orcoyen Tormo, Gargani, Garriga Polledo, Gemelli, Gil-Robles Gil-Delgado, Glase, Goepel, Gomolka, Gouveia, Graça Moura, Grönfeldt Bergman, Grosch, Grossetête, Hansenne, Hatzidakis, Hermange, Hernández Mollar, Herranz García, Hieronymi, Jeggle, Karas, Kastler, Keppelhoff-Wiechert, Klamt, Klauf, Koch, Konrad, Korhola, Kratsa-Tsagaropoulou, Lamassoure, Langen, Laschet, Lechner, Lehne, Liese, Lisi, Lombardo, Lulling, Maat, McCartin, Mann Thomas, Mantovani, Marini, Marinos, Marques, Martens, Matikainen-Kallström, Mayer Hans-Peter, Mayer Xaver, Méndez de Vigo, Menrad, Mombaur, Morillon, Naranjo Escobar, Niebler, Nisticò, Oomen-Ruijten, Pacheco Pereira, Pastorelli, Pérez Álvarez, Pex, Pirker, Piscarreta, Podestà, Poettering, Pomés Ruiz, Posselt, Pronk, Quisthoudt-Rowohl, Radwan, Redondo Jiménez, Ripoll y Martínez de Bedoya, Rübig, Sacrédeus, Salafranca Sánchez-Neyra, Santer, Santini, Sartori, Schaffner, Schleicher, Schmitt, Schröder Jürgen, Schwaiger, Smet, Sommer, Stenmarck, Stenzel, Stockton, Sudre, Suominen, Tajani, Theato, Thyssen, Trakatellis, Valdivielso de Cué, Varela Suanzes-Carpegna, van Velzen, de Veyrinas, Vidal-Quadras Roca, Vlasto, Wenzel-Perillo, Wijkman, von Wogau, Wuermeling, Zabell, Zacharakis, Zappalà, Zimmerling, Zissener**PSE:** Andersson, Aparicio Sánchez, Baltas, Berenguer Fuster, Berès, van den Berg, Berger, Bösch, Bowe, Bullmann, Campos, Carlotti, Casaca, Cercas, Ceyhun, Corbett, Corbey, Darras, Dehousse, De Keyser, De Rossa, Désir, Díez González, Dührkop Dührkop, Duhamel, Duin, El Khadraoui, Ettl, Evans Robert J.E., Färm, Fava, Ferreira, Ford, Fruteau, Garot, Gebhardt, Gill, Gillig, Glante, Goebbels, Görlach, Gröner, Guy-Quint, Hänsch, Haug, Hazan, Hedkvist Petersen, Honeyball, Howitt, Hughes, van Hulten, Hume, Iivari, Imbeni, Izquierdo Collado, Izquierdo Rojo, Jöns, Junker, Karamanou, Karlsson, Katiforis, Keßler, Kindermann, Kinnock, Koukiadis, Krehl, Kreissl-Dörfler, Kuckelkorn, Kuhne, Lage, Lalumière, Lange, Lavarra, Leinen, Linkohr, Lund, McAvan, McCarthy, McNally, Malliori, Mann Erika, Marinho, Martin David W., Martin Hans-Peter, Martínez Martínez, Mastorakis, Medina Ortega, Mendiluce Pereiro, Menéndez del Valle, Miguélez Ramos, Miller, Miranda de Lage, Moraes, Morgan, Müller, Murphy, Myller, Napoletano, O'Toole, Paasilinna, Paciotti, Patrie, Piecyk, Pittella, Poignant, Poos, Prets, Rapkay, Read, Rocard, Roth-Behrendt, Rothe, Rothley, Roure, Ruffolo, Sacconi, Sakellariou, Sandberg-Fries, dos Santos, Sauquillo Pérez del Arco, Savary, Scheele, Schmid Gerhard, Schulz, Simpson, Skinner, Soares, Sornosa Martínez, Souladakis, Sousa Pinto, Stihler, Stockmann, Swiebel, Swoboda, Theorin, Thorning-Schmidt, Titley, Torres Marques, Vairinhos, Van Lancker, Volcic, Walter, Watts, Weiler, Whitehead, Wiersma, Wynn, Zorba, Zrihen**UEN:** Camre, Marchiani**Verts/ALE:** Aaltonen, Ahern, Auroi, Boumediene-Thiery, Bouwman, Breyer, Buitenweg, Celli, Dhaene, Echerer, Evans Jillian, Ferrández Lezaun, Flautre, Frassoni, Gahrton, Graefe zu Baringdorf, Hudghton, Isler

Wednesday 14 January 2004

Béguin, Jonckheer, Lagendijk, Lambert, Lannoye, Lipietz, Lucas, MacCormick, McKenna, Maes, Mayol i Raynal, Onesta, Piétrasanta, Rod, de Roo, Rühle, Schörling, Schroedter, Sørensen, Turmes, Voggenhuber, Wuori, Wyn

Against: 115

EDD: Belder, Blokland, Booth, van Dam, Farage, Titford

ELDR: Andreasen, André-Léonard, Attwooll, Busk, Calò, Clegg, Costa Paolo, Davies, De Clercq, Duff, Dybkjær, Flesch, Gasòliba i Böhm, Huhne, Jensen, Ludford, Lynne, Maaten, Malmström, Manders, Monsonís Domingo, Mulder, Newton Dunn, Olsson, Paulsen, Pesälä, Plooi-j-van Gorsel, Pohjamo, Ries, Riis-Jørgensen, Schmidt, Sterckx, Sørensen, Thors, Väyrynen, Vallvé, Vermeer, Virrankoski, Wallis, Watson

NI: Bonino, Borghezio, Cappato, Claeys, Della Vedova, Dillen, Dupuis, Garaud, de Gaulle, Gobbo, Gollnisch, Hager, Ilgenfritz, Lang, de La Perriere, Martinez, Paisley, Pannella, Stirbois, Turco

PPE-DE: Atkins, Balfe, Beazley, Böge, Bowis, Bradbourn, Bushill-Matthews, Callanan, Chichester, Corrie, Dover, Elles, Foster, Goodwill, Hannan, Harbour, Heaton-Harris, Helmer, Inglewood, Jackson, Jarzembowski, Khanbhai, Kirkhope, McMillan-Scott, Nicholson, Pack, Parish, Perry, Provan, Purvis, Scallon, Stevenson, Sturdy, Sumberg, Tannock, Twinn, Van Orden, Villiers

UEN: Berlato, Bigliardo, Muscardini, Mussa, Musumeci, Nobilia, Pasqua, Poli Bortone, Queiró, Ribeiro e Castro, Thomas-Mauro

Abstention: 13

EDD: Coûteaux, Kuntz

GUE/NGL: Bordes, Cauquil, Laguiller

NI: Berthu, Souchet

UEN: Andrews, Collins, Crowley, Fitzsimons, Hyland, Ó Neachtain

Herzog report A5-0484/2003

Amendment 50

For: 143

EDD: Andersen, Belder, Bernié, Blokland, Bonde, Butel, Coûteaux, van Dam, Esclopé, Kuntz, Mathieu, Saint-Josse, Sandbæk

ELDR: Nordmann

GUE/NGL: Ainardi, Alavanos, Bakopoulos, Bergaz Conesa, Boudjenah, Brie, Caudron, Di Lello Finuoli, Fiebiger, Figueiredo, Frahm, Fraisse, Herzog, Jové Peres, Kaufmann, Koulourianos, Krivine, Manisco, Markov, Marset Campos, Meijer, Modrow, Naïr, Puerta, Scarbonchi, Schmid Herman, Schröder Ilka, Seppänen, Sjöstedt, Vachetta, Wurtz

NI: Borghezio, Dillen, de Gaulle, Gobbo, Gollnisch, Gorostiaga Atxalandabaso, Lang, Martinez, Stirbois

PPE-DE: Kratsa-Tsagaropoulou

PSE: Aparicio Sánchez, Berès, Berger, Bösch, Cercas, Ceyhun, Darras, Dehousse, De Keyser, Désir, Duhamel, El Khadraoui, Ettl, Fava, Ferreira, Fruteau, Garot, Gillig, Goebbels, Guy-Quint, Hazan, Karamanou, Lalumière, Lund, Mann Erika, Marinho, Martin Hans-Peter, Mendiluce Pereiro, Paasilinna, Patrie, Piecyk, Pittella, Poignant, Prets, Rocard, Roure, Savary, Scheele, Swoboda, Van Lancker, Zrihen

UEN: Bigliardo, Collins, Crowley, Fitzsimons, Hyland, Ó Neachtain, Queiró

Verts/ALE: Aaltonen, Ahern, Auroi, Boumediene-Thiery, Bouwman, Breyer, Buitenweg, Celli, Cohn-Bendit, Dhaene, Echerer, Evans Jillian, Ferrández Lezaun, Frassoni, Gahrton, Graefe zu Baringdorf, Hudghton, Isler Béguin, Jonckheer, Lagendijk, Lambert, Lannoye, Lipietz, Lucas, MacCormick, McKenna, Maes, Mayol i

Wednesday 14 January 2004

Raynal, Onesta, Piétrasanta, Rod, de Roo, Rühle, Schörling, Schroedter, Sörensen, Turmes, Voggenhuber, Wuori, Wyn

Against: 360

EDD: Booth, Farage, Titford

ELDR: Andreasen, André-Léonard, Attwooll, Busk, Calò, Clegg, Costa Paolo, Davies, De Clercq, Di Pietro, Duff, Flesch, Gasòliba i Böhm, Huhne, Jensen, Ludford, Lynne, Maaten, Malmström, Manders, Monsonís Domingo, Mulder, Newton Dunn, Olsson, Paulsen, Pesälä, Plooij-van Gorsel, Pohjamo, Procacci, Ries, Riis-Jørgensen, Rutelli, Sbarbati, Schmidt, Sterckx, Sørensen, Thors, Väyrynen, Vallvé, Van Hecke, Vermeer, Virrankoski, Wallis, Watson

NI: Berthu, Beysen, Bonino, Cappato, Della Vedova, Dupuis, Garaud, Hager, Ilgenfritz, de La Perriere, Paisley, Pannella, Souchet, Turco

PPE-DE: Almeida Garrett, Andria, Arvidsson, Atkins, Averoff, Avilés Perea, Ayuso González, Balfé, Banotti, Bastos, Bayona de Perogordo, Beazley, Bébéar, Berend, Böge, von Boetticher, Bowis, Bradbourn, Bremmer, Brienza, Brok, Brunetta, Bushill-Matthews, Callanan, Camisón Asensio, Cardoso, Cederschiöld, Chichester, Cocilovo, Coelho, Corrie, Costa Raffaele, Cushnahan, Daul, Deprez, De Veyrac, Dimitrakopoulos, Dover, Ebner, Elles, Fatuzzo, Ferber, Fernández Martín, Ferrer, Ferri, Fiori, Florenz, Folas, Foster, Fourtou, Friedrich, Gahler, Galeote Quecedo, García-Margallo y Marfil, García-Orcoyen Tormo, Gargani, Garriga Polledo, Gemelli, Gil-Robles Gil-Delgado, Glase, Goepel, Gomolka, Goodwill, Gouveia, Graça Moura, Grönfeldt Bergman, Grosch, Grossetête, Hannan, Hansenne, Harbour, Hatzidakis, Heaton-Harris, Helmer, Hernández Mollar, Herranz García, Hieronymi, Inglewood, Jackson, Jarzembowski, Jeggle, Karas, Keppelhoff-Wiechert, Khanbhai, Kirkhope, Klamt, Klaf, Koch, Konrad, Korhola, Lamassoure, Langen, Laschet, Lechner, Lehne, Liese, Lisi, Lombardo, Lulling, Maat, McCartin, McMillan-Scott, Mann Thomas, Mantovani, Marini, Marques, Martens, Matikainen-Källström, Mauro, Mayer Hans-Peter, Mayer Xaver, Méndez de Vigo, Menrad, Mombaur, Morillon, Musotto, Naranjo Escobar, Nicholson, Niebler, Nisticò, Oomen-Ruijten, Oreja Arburúa, Pacheco Pereira, Pack, Parish, Pastorelli, Pérez Álvarez, Perry, Pex, Pirker, Pizarreta, Poettering, Pomés Ruiz, Posselt, Pronk, Provan, Purvis, Quisthoudt-Rowohl, Radwan, Redondo Jiménez, Ripoll y Martínez de Bedoya, Røvsing, Rübig, Sacrédeus, Salafranca Sánchez-Neyra, Santer, Santini, Sartori, Scallon, Schleicher, Schmitt, Schröder Jürgen, Schwaiger, Smet, Sommer, Stenmarck, Stenzel, Stevenson, Stockton, Sturdy, Sudre, Sumberg, Suominen, Tajani, Tannock, Theato, Thyssen, Trakatellis, Twinn, Valdivielso de Cué, Van Orden, Varela Suanzes-Carpegna, van Velzen, Villiers, Wenzel-Perillo, Wijkman, von Wogau, Wuermeling, Zabell, Zacharakis, Zappalà, Zimmerling, Zissener

PSE: Andersson, Baltas, Berenguer Fuster, van den Berg, Bowe, Campos, Carlotti, Casaca, Corbett, Corbey, De Rossa, Díez González, Dührkop Dührkop, Duin, Evans Robert J.E., Färm, Ford, Gebhardt, Gill, Glante, Görlach, Gröner, Hänsch, Haug, Hedkvist Petersen, Honeyball, Howitt, Hughes, van Hulten, Hume, Iivari, Imbeni, Izquierdo Collado, Izquierdo Rojo, Jöns, Junker, Karlsson, Katiforis, Kessler, Kindermann, Kinnock, Koukiadis, Krehl, Kreissl-Dörfler, Kuckelkorn, Kuhne, Lage, Lange, Lavarra, Leinen, Linkohr, McAvan, McCarthy, McNally, Malliori, Martin David W., Martínez Martínez, Mastorakis, Medina Ortega, Menéndez del Valle, Miguélez Ramos, Miller, Miranda de Lage, Moraes, Morgan, Müller, Murphy, Myller, Napoletano, O'Toole, Paciotti, Poos, Rapkay, Read, Roth-Behrendt, Rothe, Rothley, Ruffolo, Sacconi, Sakellariou, Sandberg-Fries, dos Santos, Sauquillo Pérez del Arco, Schmid Gerhard, Schulz, Simpson, Skinner, Soares, Sornosa Martínez, Souladakis, Sousa Pinto, Stihler, Stockmann, Swiebel, Theorin, Thorning-Schmidt, Titley, Torres Marques, Vairinhos, Volcic, Walter, Watts, Weiler, Whitehead, Wiersma, Wynn, Zorba

UEN: Marchiani, Muscardini, Mussa, Musumeci, Nobilia, Pasqua, Poli Bortone, Ribeiro e Castro, Thomas-Mauro

Abstention: 7

EDD: Abitbol

ELDR: Dybkjær

GUE/NGL: Blak, Patakis

NI: Kronberger

PPE-DE: Flemming

UEN: Camre

Wednesday 14 January 2004

Herzog report A5-0484/2003

Amendment 109

For: 121

EDD: Abitbol, Andersen, Bernié, Bonde, Butel, Esclopé, Mathieu, Saint-Josse, Sandbæk

GUE/NGL: Ainardi, Alavanos, Bakopoulos, Bergaz Conesa, Boudjenah, Brie, Caudron, Di Lello Finuoli, Fiebiger, Figueiredo, Frahm, Fraise, Herzog, Jové Peres, Kaufmann, Koulourianos, Krivine, Manisco, Markov, Marset Campos, Meijer, Modrow, Nair, Patakis, Puerta, Scarbonchi, Schmid Herman, Schröder Ilka, Seppänen, Sjöstedt, Vachetta, Wurtz

NI: Borghezio, Garaud, Gobbo, Gorostiaga Atxalandabaso

PPE-DE: Costa Raffaele, Flemming

PSE: Berès, Berger, Bösch, Carlotti, Darras, Dehousse, De Keyser, Désir, Duhamel, El Khadraoui, Ettl, Fava, Ferreira, Fruteau, Garot, Gillig, Guy-Quint, Hazan, Lalumière, Marinho, Martin Hans-Peter, Mendiluce Pereiro, Napoletano, Patrie, Pittella, Poignant, Prets, Rocard, Roure, Savary, Scheele, Swoboda, Vairinhos, Van Lancker, Zrihen

Verts/ALE: Aaltonen, Ahern, Auroi, Boumediene-Thiery, Bouwman, Breyer, Buitenweg, Celli, Cohn-Bendit, Dhaene, Echerer, Ferrández Lezaun, Flautre, Frassoni, Gahrton, Graefe zu Baringdorf, Hudghton, Isler Béguin, Jonckheer, Lagendijk, Lambert, Lannoye, Lipietz, Lucas, MacCormick, McKenna, Maes, Mayol i Raynal, Onesta, Piétrasanta, Rod, de Roo, Rühle, Schroedter, Sørensen, Turmes, Voggenhuber, Wuori, Wyn

Against: 394

EDD: Belder, Blokland, Booth, van Dam, Farage, Titford

ELDR: Andreasen, André-Léonard, Attwooll, Busk, Calò, Clegg, Costa Paolo, Davies, De Clercq, Di Pietro, Duff, Dybkjær, Flesch, Gasòliba i Böhm, Huhne, Jensen, Ludford, Lynne, Maaten, Malmström, Manders, Monsonís Domingo, Mulder, Newton Dunn, Nordmann, Olsson, Paulsen, Pesälä, Plooij-van Gorsel, Pohjamo, Procacci, Ries, Riis-Jørgensen, Rutelli, Sbarbati, Schmidt, Sterckx, Sørensen, Thors, Väyrynen, Vallvé, Van Hecke, Vermeer, Virrankoski, Wallis, Watson

NI: Berthu, Beysen, Bonino, Cappato, Claeys, Della Vedova, Dillen, de Gaulle, Gollnisch, Hager, Ilgenfritz, Kronberger, Lang, de La Perriere, Martinez, Paisley, Pannella, Souchet, Stirbois, Turco

PPE-DE: Almeida Garrett, Arvidsson, Atkins, Averoff, Avilés Perea, Ayuso González, Balfe, Banotti, Bartolozzi, Bastos, Bayona de Perogordo, Beazley, Bébéar, Berend, Böge, von Boetticher, Bourlanges, Bowis, Bradbourn, Bremmer, Brienza, Brok, Brunetta, Bushill-Matthews, Camisón Asensio, Cardoso, Cederschiöld, Chichester, Cocilovo, Coelho, Cornillet, Corrie, Cushnahan, Daul, Deprez, Descamps, De Veyrac, Dimitrakopoulos, Dover, Doyle, Ebner, Elles, Fatuzzo, Ferber, Fernández Martín, Ferrer, Ferri, Fiori, Florenz, Foliás, Foster, Fourtou, Friedrich, Gahler, Galeote Quecedo, García-Margallo y Marfil, Gargani, Garriga Polledo, Gemelli, Gil-Robles Gil-Delgado, Glase, Goepel, Gomolka, Goodwill, Gouveia, Graça Moura, Grönfeldt Bergman, Grosch, Grossetête, Hannan, Hansenne, Harbour, Hatzidakis, Heaton-Harris, Helmer, Hermange, Hernández Mollar, Herranz García, Hieronymi, Inglewood, Jackson, Jarzembowski, Jeggel, Karas, Kastler, Keppelhoff-Wiechert, Khanbhai, Kirkhope, Klamt, Klauf, Koch, Konrad, Korhola, Kratsa-Tsagaropoulou, Lamassoure, Langen, Laschet, Lechner, Lehne, Liese, Lisi, Lombardo, Lulling, Maat, McCartin, McMillan-Scott, Mann Thomas, Marini, Marinos, Marques, Martens, Matikainen-Kallström, Mauro, Mayer Hans-Peter, Mayer Xaver, Méndez de Vigo, Menrad, Mombaur, Morillon, Musotto, Naranjo Escobar, Nicholson, Niebler, Nisticò, Oomen-Ruijten, Oreja Arburúa, Pacheco Pereira, Pack, Parish, Pastorelli, Pérez Álvarez, Perry, Pex, Pirker, Píscarreta, Podestà, Poettering, Pomés Ruiz, Posselt, Pronk, Provan, Purvis, Quisthoudt-Rowohl, Radwan, Redondo Jiménez, Ripoll y Martínez de Bedoya, Roving, Rübig, Sacrédeus, Salafranca Sánchez-Neyra, Santer, Santini, Scallon, Schaffner, Schierhuber, Schleicher, Schmitt, Schröder Jürgen, Schwaiger, Smet, Sommer, Stenmarck, Stenzel, Stevenson, Stockton, Sturdy, Sudre, Sumberg, Suominen, Tajani, Tannock, Theato, Thyssen, Trakatellis, Twinn, Valdivielso de Cué, Van Orden, Varela Suanzes-Carpegna, van Velzen, de Veyrinas, Vidal-Quadras Roca, Villiers, Vlasto, Wenzel-Perillo, Wijkman, von Wogau, Wuermeling, Zabell, Zacharakis, Zappalà, Zimmerling, Zissener

Wednesday 14 January 2004

PSE: Andersson, Aparicio Sánchez, Baltas, Berenguer Fuster, van den Berg, Bowe, Bullmann, Campos, Casaca, Cercas, Ceyhun, Corbett, Corbey, De Rossa, Díez González, Dührkop Dührkop, Duin, Evans Robert J.E., Färm, Ford, Gebhardt, Gill, Glante, Görlach, Gröner, Hänsch, Haug, Hedkvist Petersen, Honeyball, Howitt, Hughes, van Hulsten, Hume, Iivari, Imbeni, Izquierdo Collado, Izquierdo Rojo, Jöns, Junker, Karamanou, Karlsson, Katiforis, Keßler, Kindermann, Kinnock, Koukiadis, Krehl, Kreissl-Dörfler, Kuckelkorn, Kuhne, Lage, Lange, Lavarra, Leinen, Linkohr, Lund, McAvan, McCarthy, McNally, Malliori, Mann Erika, Martin David W., Martínez Martínez, Mastorakis, Medina Ortega, Menéndez del Valle, Miguélez Ramos, Miller, Miranda de Lage, Moraes, Morgan, Müller, Murphy, Myller, O'Toole, Paasilinna, Paciotti, Piecyk, Poos, Rapkay, Read, Roth-Behrendt, Rothe, Rothley, Ruffolo, Sacconi, Sakellariou, Sandberg-Fries, dos Santos, Sauquillo Pérez del Arco, Schmid Gerhard, Schulz, Simpson, Skinner, Soares, Sornosa Martínez, Souladakis, Sousa Pinto, Stihler, Stockmann, Swiebel, Theorin, Thorning-Schmidt, Titley, Torres Marques, Volcic, Walter, Watts, Weiler, Whitehead, Wiersma, Wynn, Zorba

UEN: Andrews, Berlato, Bigliardo, Camre, Collins, Crowley, Marchiani, Muscardini, Mussa, Musumeci, Nobilia, Ó Neachtain, Pasqua, Poli Bortone, Queiró, Ribeiro e Castro, Thomas-Mauro

Abstention: 9

EDD: Coûteaux, Kuntz

GUE/NGL: Blak, Bordes, Cauquil, Laguiller

PPE-DE: Andria

UEN: Fitzsimons, Hyland

Herzog report A5-0484/2003

Paragraph 52, 1st part

For: 488

EDD: Abitbol, Belder, Blokland, van Dam, Kuntz

ELDR: Andreasen, André-Léonard, Attwooll, Busk, Calò, Clegg, Costa Paolo, Davies, De Clercq, Di Pietro, Duff, Dybkjær, Gasòliba i Böhm, Huhne, Jensen, Ludford, Lynne, Maaten, Malmström, Manders, Monsonís Domingo, Mulder, Newton Dunn, Nordmann, Olsson, Paulsen, Pesälä, Plooij-van Gorsel, Pohjamo, Procacci, Ries, Riis-Jørgensen, Rutelli, Sbarbati, Schmidt, Sterckx, Sørensen, Thors, Väyrynen, Vallvé, Van Hecke, Vermeer, Virrankoski, Wallis, Watson

GUE/NGL: Ainardi, Alavanos, Bakopoulos, Bergaz Conesa, Blak, Boudjenah, Brie, Caudron, Fiebiger, Figueiredo, Fraisse, Herzog, Jové Peres, Kaufmann, Koulourianos, Manisco, Markov, Maset Campos, Meijer, Modrow, Naïr, Puerta, Scarbonchi, Schröder Ilka, Wurtz

NI: Berthu, Beysen, Bonino, Cappato, Claeys, Della Vedova, Dillen, Garaud, de Gaulle, Gollnisch, Gorostiaga Atxalandabaso, Hager, Ilgenfritz, Kronberger, Lang, Martinez, Paisley, Pannella, Souchet, Stirbois, Turco

PPE-DE: Almeida Garrett, Andria, Arvidsson, Atkins, Averoff, Avilés Perea, Ayuso González, Balfé, Banotti, Bartolozzi, Bastos, Bayona de Perogordo, Beazley, Bébéar, Berend, Böge, von Boetticher, Bourlanges, Bowis, Bradbourn, Bremmer, Brienza, Brok, Brunetta, Bushill-Matthews, Callanan, Camisón Asensio, Cardoso, Cederschiöld, Chichester, Cocilovo, Coelho, Cornillet, Corrie, Cushnahan, Daul, Deprez, Descamps, De Veyrac, Dimitrakopoulos, Dover, Doyle, Ebner, Elles, Fatuzzo, Ferber, Fernández Martín, Ferrer, Ferri, Fiori, Flemming, Florenz, Folias, Foster, Fourtou, Friedrich, Gahler, Galeote Quecedo, García-Margallo y Marfil, García-Orcoyen Tormo, Gargani, Garriga Polledo, Gemelli, Gil-Robles Gil-Delgado, Glase, Goepel, Gomolka, Goodwill, Gouveia, Graça Moura, Grönfeldt Bergman, Grosch, Grossetête, Hannan, Hansenne, Harbour, Hatzidakis, Heaton-Harris, Helmer, Hermange, Hernández Mollar, Herranz García, Hieronymi, Inglewood, Jackson, Jarzembowski, Jeggle, Karas, Kastler, Keppelhoff-Wiechert, Khanbhai, Kirkhope, Klamt, Klaß, Koch, Konrad, Korhola, Kratsa-Tsagaropoulou, Lamassoure, Langen, Laschet, Lechner, Lehne, Liese, Lisi, Lombardo, Lulling, Maat, McCartin, McMillan-Scott, Mann Thomas, Marini, Marinos, Marques, Martens, Matikainen-Kallström, Mauro, Mayer Hans-Peter, Mayer Xaver, Méndez de Vigo, Menrad, Mombaur, Morillon, Musotto, Naranjo Escobar, Nicholson, Niebler, Nisticò, Oomen-Ruijten, Oreja Arburúa, Pacheco Pereira, Pack, Parish, Pastorelli, Pérez Álvarez, Perry, Pex, Pirker, Piscarreta, Podestà, Poettering, Pomés Ruiz, Posselt, Pronk, Provan, Purvis, Quisthoudt-Rowohl, Radwan, Redondo Jiménez, Ripoll y Martínez de Bedoya, Roving, Rübig, Sacrédeus, Salafranca Sánchez-Neyra, Santer, Santini,

Wednesday 14 January 2004

Sartori, Scallon, Schaffner, Schierhuber, Schleicher, Schmitt, Schröder Jürgen, Schwaiger, Smet, Sommer, Stenmarck, Stenzel, Stevenson, Stockton, Sturdy, Sudre, Sumberg, Suominen, Tajani, Tannock, Theato, Thyssen, Trakatellis, Twinn, Valdivielso de Cué, Van Orden, Varela Suanzes-Carpegna, van Velzen, de Veyrinas, Vidal-Quadras Roca, Villiers, Vlasto, Wenzel-Perillo, Wijkman, von Wogau, Wuermeling, Zabell, Zacharakis, Zappalà, Zimmerling, Zissener

PSE: Andersson, Aparicio Sánchez, Baltas, Berenguer Fuster, Berès, van den Berg, Berger, Bösch, Bowe, Bullmann, Campos, Carlotti, Casaca, Cercas, Ceyhun, Corbett, Corbey, Darras, Dehousse, De Keyser, De Rossa, Désir, Díez González, Dührkop Dührkop, Duhamel, Duin, El Khadraoui, Ettl, Evans Robert J.E., Färm, Fava, Ferreira, Ford, Fruteau, Garot, Gebhardt, Gill, Gillig, Glante, Goebbels, Görlach, Gröner, Guy-Quint, Hänsch, Haug, Hazan, Hedkvist Petersen, Honeyball, Howitt, Hughes, van Hulten, Iivari, Imbeni, Izquierdo Collado, Izquierdo Rojo, Jöns, Junker, Karamanou, Karlsson, Katiforis, Keßler, Kindermann, Kinnock, Koukiadis, Krehl, Kreissl-Dörfler, Kuckelkorn, Kuhne, Lage, Lalumière, Lange, Lavarra, Leinen, Linkohr, Lund, McAvan, McCarthy, McNally, Malliori, Mann Erika, Marinho, Martin David W., Martin Hans-Peter, Martínez Martínez, Mastorakis, Medina Ortega, Mendiluce Pereiro, Menéndez del Valle, Miguélez Ramos, Miller, Miranda de Lage, Moraes, Morgan, Müller, Murphy, Myller, Napoletano, O'Toole, Paasilinna, Paciotti, Patrie, Piecyk, Pittella, Poignant, Poos, Prets, Rapkay, Read, Rocard, Roth-Behrendt, Rothe, Rothley, Roure, Ruffolo, Sacconi, Sakellariou, Sandberg-Fries, dos Santos, Sauquillo Pérez del Arco, Savary, Scheele, Schmid Gerhard, Schulz, Simpson, Skinner, Soares, Sornosa Martínez, Souladakis, Sousa Pinto, Stihler, Stockmann, Swiebel, Swoboda, Theorin, Thorning-Schmidt, Titley, Torres Marques, Vairinhos, Van Lancker, Volcic, Walter, Watts, Weiler, Whitehead, Wiersma, Wynn, Zorba, Zrihen

UEN: Andrews, Collins, Crowley, Fitzsimons, Hyland, Ó Neachtain, Queiró

Verts/ALE: Aaltonen, Ahern, Auroi, Boumediene-Thiery, Bouwman, Breyer, Buitenweg, Celli, Cohn-Bendit, Dhaene, Echerer, Evans Jillian, Ferrández Lezaun, Flautre, Frassoni, Gahrton, Graefe zu Baringdorf, Isler Béguin, Jonckheer, Lagendijk, Lambert, Lannoye, Lipietz, Lucas, MacCormick, McKenna, Maes, Mayol i Raynal, Onesta, Piétrasanta, Rod, de Roo, Rühle, Schörling, Schroedter, Sörensen, Turmes, Voggenhuber, Wuori, Wyn

Against: 26

EDD: Andersen, Bonde, Booth, Coûteaux, Farage, Sandbæk, Titford

GUE/NGL: Bordes, Cauquil, Di Lello Finuoli, Frahm, Laguiller, Seppänen

NI: de La Perriere

UEN: Berlato, Bigliardo, Camre, Marchiani, Muscardini, Mussa, Musumeci, Nobilia, Pasqua, Poli Bortone, Ribeiro e Castro, Thomas-Mauro

Abstention: 13

EDD: Bernié, Butel, Esclopé, Mathieu, Saint-Josse

GUE/NGL: Krivine, Patakis, Schmid Herman, Sjöstedt, Vachetta

NI: Borghesio, Gobbo

PPE-DE: Costa Raffaele

Herzog report A5-0484/2003

Paragraph 52, 2nd part

For: 270

EDD: Belder, Blokland, van Dam

ELDR: Andreasen, André-Léonard, Busk, Calò, Clegg, Costa Paolo, Davies, De Clercq, Duff, Dybkjær, Gasòliba i Böhm, Huhne, Jensen, Ludford, Lynne, Maaten, Malmström, Manders, Monsonís Domingo, Mulder, Newton Dunn, Nordmann, Olsson, Paulsen, Pesälä, Plooij-van Gorsel, Pohjamo, Procacci, Ries, Riis-Jørgensen, Rutelli, Schmidt, Sterckx, Sørensen, Thors, Väyrynen, Vallvé, Van Hecke, Vermeer, Virrankoski, Wallis, Watson

Wednesday 14 January 2004

GUE/NGL: Blak**NI:** Beysen, Bonino, Cappato, Della Vedova, Hager, Ilgenfritz, Kronberger, de La Perriere, Paisley, Pannella, Turco**PPE-DE:** Almeida Garrett, Andria, Arvidsson, Atkins, Averoff, Avilés Perea, Ayuso González, Balfé, Banotti, Bartolozzi, Bastos, Bayona de Perogordo, Beazley, Bébéar, Berend, Böge, von Boetticher, Bourlanges, Bowis, Bradbourn, Bremmer, Brienza, Brunetta, Bushill-Matthews, Callanan, Camisón Asensio, Cardoso, Cederschiöld, Chichester, Cocilovo, Coelho, Cornillet, Corrie, Cushnahan, Daul, Deprez, Descamps, De Veyrac, Dimitrakopoulos, Dover, Doyle, Ebner, Elles, Fatuzzo, Ferber, Fernández Martín, Ferrer, Ferri, Fiori, Flemming, Florenz, Folias, Foster, Fournou, Friedrich, Gahler, Galeote Quecedo, García-Margallo y Marfil, García-Orcoyen Tormo, Gargani, Garriga Polledo, Gemelli, Gil-Robles Gil-Delgado, Glase, Goepel, Gomolka, Goodwill, Gouveia, Graça Moura, Grönfeldt Bergman, Grosch, Grossetête, Hannan, Hansenne, Harbour, Hatzidakis, Heaton-Harris, Helmer, Hermange, Hernández Mollar, Herranz García, Hieronymi, Inglewood, Jackson, Jarzembowski, Jeggler, Karas, Kastler, Keppelhoff-Wiechert, Khanbhai, Kirkhope, Klamt, Klaß, Koch, Konrad, Korhola, Kratsa-Tsagaropoulou, Lamassoure, Langen, Laschet, Lechner, Lehne, Liese, Lisi, Lombardo, Lulling, Maat, McCartin, McMillan-Scott, Mann Thomas, Marini, Marinos, Marques, Martens, Matikainen-Kallström, Mauro, Mayer Hans-Peter, Mayer Xaver, Méndez de Vigo, Menrad, Mombaur, Morillon, Musotto, Naranjo Escobar, Nicholson, Niebler, Nisticò, Oomen-Ruijten, Oreja Arburúa, Pacheco Pereira, Pack, Parish, Pastorelli, Pérez Álvarez, Perry, Pex, Pirker, Piscarreta, Podestà, Poettering, Pomés Ruiz, Posselt, Pronk, Provan, Purvis, Quisthoudt-Rowohl, Radwan, Redondo Jiménez, Ripoll y Martínez de Bedoya, Rovsing, Rübiger, Sacrédeus, Salafranca Sánchez-Neyra, Santer, Santini, Sartori, Scallon, Schaffner, Schleicher, Schmitt, Schröder Jürgen, Schwaiger, Smet, Sommer, Stenmarck, Stenzel, Stevenson, Stockton, Sturdy, Sudre, Sumberg, Suominen, Tajani, Tannock, Theato, Thyssen, Trakatellis, Twinn, Valdivielso de Cué, Van Orden, Varela Suanzes-Carpegna, van Velzen, de Veyrinas, Vidal-Quadras Roca, Villiers, Vlasto, Wenzel-Perillo, Wijkman, von Wogau, Wiermeling, Zabell, Zacharakis, Zappalà, Zimmerling, Zissener**UEN:** Berlato, Bigliardo, Camre, Collins, Crowley, Fitzsimons, Hyland, Marchiani, Muscardini, Mussa, Musumeci, Nobilia, Ó Neachtain, Pasqua, Poli Bortone, Queiró, Ribeiro e Castro, Thomas-Mauro**Against: 246****EDD:** Abitbol, Andersen, Bernié, Bonde, Booth, Butel, Coûteaux, Esclopé, Farage, Kuntz, Mathieu, Saint-Josse, Sandbæk, Titford**ELDR:** Attwooll, Di Pietro, Sbarbati**GUE/NGL:** Ainardi, Alavanos, Bakopoulos, Bergaz Conesa, Bordes, Boudjenah, Brie, Caudron, Cauquil, Di Lello Finuoli, Fiebigger, Figueiredo, Frahm, Fraisse, Herzog, Jové Peres, Kaufmann, Koulourianos, Krivine, Laguiller, Manisco, Markov, Marsset Campos, Meijer, Modrow, Nair, Patakis, Puerta, Scarbonchi, Schmid Herman, Schröder Ilka, Seppänen, Sjöstedt, Vachetta, Wurtz**NI:** Claeys, Dillen, de Gaulle, Gollnisch, Lang, Martinez, Stirbois**PSE:** Andersson, Aparicio Sánchez, Baltas, Berenguer Fuster, Berès, van den Berg, Berger, Bösch, Bowe, Bullmann, Campos, Carlotti, Casaca, Cercas, Ceyhun, Corbett, Corbey, Darras, Dehousse, De Keyser, De Rossa, Désir, Díez González, Dührkop Dührkop, Duhamel, Duin, El Khadraoui, Ettl, Evans Robert J.E., Färm, Fava, Ferreira, Ford, Fruteau, Garot, Gebhardt, Gill, Gillig, Glante, Goebbels, Görlach, Gröner, Guy-Quint, Hänsch, Haug, Hazan, Hedkvist Petersen, Honeyball, Howitt, Hughes, van Hulten, Iivari, Imbeni, Izquierdo Collado, Izquierdo Rojo, Jöns, Junker, Karamanou, Karlsson, Katiforis, Keßler, Kindermann, Kinnock, Koukiadis, Krehl, Kreissl-Dörfler, Kuckelkorn, Kuhne, Lage, Lalumière, Lange, Lavarra, Leinen, Linkohr, Lund, McAvan, McCarthy, McNally, Malliori, Mann Erika, Marinho, Martin David W., Martin Hans-Peter, Martínez Martínez, Mastorakis, Medina Ortega, Mendiluce Pereiro, Menéndez del Valle, Miguélez Ramos, Miller, Miranda de Lage, Moraes, Morgan, Müller, Murphy, Myller, Napoletano, O'Toole, Paasilinna, Paciotti, Patrie, Piecyk, Pittella, Poignant, Poos, Prets, Rapkay, Read, Rocard, Roth-Behrendt, Rothe, Rothley, Roure, Ruffolo, Sacconi, Sakellariou, Sandberg-Fries, dos Santos, Sauquillo Pérez del Arco, Savary, Scheele, Schmid Gerhard, Schulz, Simpson, Skinner, Soares, Souladakis, Sousa Pinto, Stihler, Stockmann, Swibel, Swoboda, Theorin, Thorning-Schmidt, Titley, Torres Marques, Vairinhos, Van Lancker, Volcic, Walter, Watts, Weiler, Whitehead, Wiersma, Wynn, Zorba, Zrihen**UEN:** Andrews

Wednesday 14 January 2004

Verts/ALE: Aaltonen, Ahern, Auroi, Boumediene-Thiery, Bouwman, Breyer, Buitenweg, Celli, Cohn-Bendit, Dhaene, Echerer, Evans Jillian, Ferrández Lezaun, Flautre, Frassoni, Gahrton, Graefe zu Baringdorf, Isler Béguin, Jonckheer, Lagendijk, Lambert, Lannoye, Lipietz, Lucas, MacCormick, McKenna, Maes, Onesta, Piétrasanta, Rod, de Roo, Rühle, Schörling, Schroedter, Sørensen, Turmes, Voggenhuber, Wuori, Wyn

Abstention: 6

NI: Berthu, Borghezio, Garaud, Gobbo, Souchet

PPE-DE: Costa Raffaele

Herzog report A5-0484/2003

Amendment 16

For: 272

EDD: Abitbol, Andersen, Bernié, Bonde, Butel, Esclopé, Kuntz, Mathieu, Saint-Josse, Sandbæk

ELDR: Di Pietro, Procacci, Sbarbati, Van Hecke, Virrankoski

GUE/NGL: Ainardi, Alavanos, Bakopoulos, Bergaz Conesa, Bordes, Boudjenah, Brie, Caudron, Cauquil, Di Lello Finuoli, Fiebiger, Figueiredo, Frahm, Fraisse, Herzog, Jové Peres, Kaufmann, Koulourianos, Krivine, Laguiller, Manisco, Markov, Marset Campos, Meijer, Modrow, Nair, Patakis, Puerta, Scarbonchi, Schmid Herman, Schröder Ilka, Seppänen, Sjöstedt, Vachetta, Wurtz

NI: Claeys, Dillen, Garaud, de Gaulle, Gollnisch, Gorostiaga Atxalandabaso, Lang, Martinez, Paisley, Stirbois

PPE-DE: Bébéar, Bourlanges, Cocilovo, Coelho, Cornillet, Costa Raffaele, Daul, Descamps, De Veyrac, Fourtou, Grosch, Grossetête, Hermange, Lamassoure, Martens, Morillon, Pomés Ruiz, Salafranca Sánchez-Neyra, Santer, Schaffner, Smet, Sudre, Thyssen, de Veyrinas, Vlasto

PSE: Andersson, Aparicio Sánchez, Baltas, Berenguer Fuster, Berès, van den Berg, Berger, Bösch, Bowe, Bullmann, Campos, Carlotti, Casaca, Cercas, Ceyhun, Corbett, Corbey, Darras, Dehousse, De Keyser, De Rossa, Désir, Díez González, Dührkop Dührkop, Duhamel, Duin, El Khadraoui, Ettl, Evans Robert J.E., Färm, Fava, Ferreira, Ford, Fruteau, Garot, Gebhardt, Gill, Gillig, Glante, Goebbels, Görlach, Gröner, Guy-Quint, Hänsch, Haug, Hazan, Hedkvist Petersen, Honeyball, Howitt, Hughes, van Hulten, Iivari, Imbeni, Izquierdo Collado, Izquierdo Rojo, Jöns, Junker, Karamanou, Karlsson, Katiforis, Keßler, Kindermann, Kinnock, Koukiadis, Krehl, Kreissl-Dörfler, Kuckelkorn, Kuhne, Lage, Lalumière, Lange, Lavarra, Leinen, Linkohr, Lund, McAvan, McCarthy, McNally, Malliori, Mann Erika, Marinho, Martin David W., Martin Hans-Peter, Martínez Martínez, Mastorakis, Medina Ortega, Mendiluce Pereiro, Menéndez del Valle, Miguélez Ramos, Miller, Miranda de Lage, Moraes, Morgan, Müller, Murphy, Myller, Napolitano, O'Toole, Paasilinna, Paciotti, Patrie, Piecyk, Pittella, Poignant, Poos, Prets, Rapkay, Read, Rocard, Roth-Behrendt, Rothe, Rothley, Roure, Ruffolo, Sacconi, Sakellariou, Sandberg-Fries, dos Santos, Sauquillo Pérez del Arco, Savary, Scheele, Schmid Gerhard, Schulz, Simpson, Soares, Sornosa Martínez, Souladakis, Sousa Pinto, Stihler, Stockmann, Swiebel, Swoboda, Theorin, Thorning-Schmidt, Titley, Torres Marques, Vairinhos, Van Lancker, Volcic, Walter, Watts, Weiler, Whitehead, Wiersma, Wynn, Zorba, Zrihen

Verts/ALE: Aaltonen, Ahern, Auroi, Boumediene-Thiery, Bouwman, Breyer, Buitenweg, Celli, Cohn-Bendit, Dhaene, Echerer, Evans Jillian, Ferrández Lezaun, Flautre, Frassoni, Gahrton, Graefe zu Baringdorf, Isler Béguin, Jonckheer, Lagendijk, Lambert, Lannoye, Lipietz, Lucas, MacCormick, McKenna, Maes, Mayol i Raynal, Onesta, Piétrasanta, Rod, de Roo, Rühle, Schörling, Schroedter, Sørensen, Turmes, Voggenhuber, Wuori, Wyn

Against: 237

EDD: Belder, Blokland, Booth, van Dam, Farage, Titford

ELDR: Andreasen, André-Léonard, Attwooll, Busk, Calò, Clegg, Davies, De Clercq, Duff, Dybkjær, Fleisch, Gasòliba i Böhm, Huhne, Jensen, Ludford, Lynne, Maaten, Malmström, Manders, Mulder, Newton Dunn, Nordmann, Olsson, Paulsen, Pesälä, Plooij-van Gorsel, Pohjamo, Ries, Riis-Jørgensen, Rutelli, Schmidt, Sterckx, Sørensen, Thors, Vallvé, Vermeer, Wallis, Watson

GUE/NGL: Blak

Wednesday 14 January 2004

NI: Berthu, Beysen, Bonino, Borghezio, Cappato, Della Vedova, Gobbo, Hager, Ilgenfritz, Pannella, Souchet, Turco

PPE-DE: Almeida Garrett, Andria, Arvidsson, Atkins, Averoff, Avilés Perea, Ayuso González, Balfe, Banotti, Bartolozzi, Bastos, Bayona de Perogordo, Beazley, Berend, Böge, von Boetticher, Bowis, Bradbourn, Bremmer, Brienza, Brok, Brunetta, Bushill-Matthews, Callanan, Camisón Asensio, Cardoso, Cederschiöld, Chichester, Corrie, Cushnahan, Deprez, Dimitrakopoulos, Dover, Doyle, Ebner, Elles, Fatuzzo, Ferber, Fernández Martín, Ferrer, Ferri, Fiori, Flemming, Florenz, Folias, Foster, Friedrich, Gahler, Galeote Quecedo, García-Margallo y Marfil, García-Orcoyen Tormo, Gargani, Garriga Polledo, Gemelli, Gil-Robles Gil-Delgado, Glase, Goepel, Gomolka, Goodwill, Gouveia, Graça Moura, Grönfeldt Bergman, Hannan, Hansenne, Harbour, Hatzidakis, Heaton-Harris, Helmer, Hernández Mollar, Herranz García, Hieronymi, Inglewood, Jackson, Jarzembowski, Jeggler, Karas, Kastler, Keppelhoff-Wiechert, Khanbhai, Kirkhope, Klamt, Klaß, Koch, Konrad, Korhola, Langen, Laschet, Lechner, Lehne, Liese, Lisi, Lombardo, Lulling, Maat, McCartin, McMillan-Scott, Mann Thomas, Marini, Marinos, Marques, Matikainen-Kallström, Mauro, Mayer Hans-Peter, Mayer Xaver, Méndez de Vigo, Menrad, Mombaur, Musotto, Naranjo Escobar, Nicholson, Niebler, Nisticò, Oomen-Ruijten, Oreja Arburúa, Pacheco Pereira, Pack, Parish, Pastorelli, Pérez Álvarez, Perry, Pex, Pirker, Píscarreta, Podestà, Poettering, Posselt, Pronk, Provan, Purvis, Quisthoudt-Rowohl, Radwan, Redondo Jiménez, Ripoll y Martínez de Bedoya, Røvsing, Rübig, Sacrédeus, Santini, Sartori, Scallon, Schleicher, Schmitt, Schröder Jürgen, Schwaiger, Sommer, Stenmarck, Stenzel, Stevenson, Stockton, Sturdy, Sumberg, Suominen, Tajani, Tannock, Theato, Trakatellis, Twinn, Valdivielso de Cué, Van Orden, Varela Suanzes-Carpegna, van Velzen, Vidal-Quadras Roca, Villiers, Wenzel-Perillo, Wijkman, von Wogau, Wiermeling, Zabell, Zacharakis, Zappalà, Zimmerling, Zissener

UEN: Andrews, Collins, Crowley, Fitzsimons, Hyland, Marchiani, Ó Neachtain, Queiró, Ribeiro e Castro

Abstention: 14

EDD: Coûteaux

ELDR: Väyrynen

NI: Kronberger, de La Perriere

UEN: Berlato, Bigliardo, Camre, Muscardini, Mussa, Musumeci, Nobilia, Pasqua, Poli Bortone, Thomas-Mauro

Herzog report A5-0484/2003

Amendment 4

For: 285

EDD: Abitbol, Belder, Blokland, Booth, van Dam, Farage, Titford

ELDR: Andreasen, André-Léonard, Busk, Calò, Clegg, Costa Paolo, Davies, De Clercq, Di Pietro, Duff, Dybkjær, Fleisch, Gasòliba i Böhm, Huhne, Jensen, Ludford, Lynne, Maaten, Malmström, Manders, Mulder, Newton Dunn, Nordmann, Olsson, Paulsen, Pesälä, Plooi-j-van Gorsel, Pohjamo, Procacci, Ries, Riis-Jørgensen, Rutelli, Schmidt, Sterckx, Sørensen, Thors, Väyrynen, Vallvé, Vermeer, Virrankoski, Wallis, Watson

GUE/NGL: Blak

NI: Berthu, Beysen, Bonino, Cappato, Claeys, Della Vedova, Dillen, Dupuis, de Gaulle, Gollnisch, Hager, Ilgenfritz, Kronberger, Lang, de La Perriere, Martinez, Paisley, Pannella, Souchet, Stirbois, Turco

PPE-DE: Almeida Garrett, Andria, Arvidsson, Atkins, Averoff, Avilés Perea, Ayuso González, Balfe, Banotti, Bartolozzi, Bastos, Bayona de Perogordo, Beazley, Bébéar, Berend, Böge, von Boetticher, Bourlanges, Bowis, Bradbourn, Bremmer, Brienza, Brok, Brunetta, Bushill-Matthews, Callanan, Camisón Asensio, Cardoso, Cederschiöld, Chichester, Cocilovo, Coelho, Cornillet, Corrie, Cushnahan, Daul, Deprez, Descamps, De Veyrac, Dimitrakopoulos, Dover, Doyle, Ebner, Elles, Fatuzzo, Ferber, Fernández Martín, Ferrer, Ferri, Fiori, Florenz, Folias, Foster, Fourtou, Friedrich, Gahler, Galeote Quecedo, García-Margallo y Marfil, García-Orcoyen Tormo, Gargani, Garriga Polledo, Gemelli, Gil-Robles Gil-Delgado, Glase, Goepel, Gomolka, Goodwill, Gouveia, Graça Moura, Grönfeldt Bergman, Grossetête, Hannan, Hansenne, Harbour, Hatzidakis, Heaton-Harris, Helmer, Hermange, Hernández Mollar, Herranz García, Hieronymi, Inglewood, Jackson, Jarzembowski, Jeggler, Kastler, Keppelhoff-Wiechert, Khanbhai, Kirkhope, Klamt, Klaß, Koch,

Wednesday 14 January 2004

Konrad, Korhola, Kratsa-Tsagaropoulou, Lamassoure, Langen, Laschet, Lechner, Lehne, Liese, Lisi, Lombardo, Lulling, Maat, McCartin, McMillan-Scott, Mann Thomas, Marini, Marinos, Marques, Martens, Matikainen-Kallström, Mauro, Mayer Hans-Peter, Mayer Xaver, Méndez de Vigo, Menrad, Mombaur, Morillon, Musotto, Naranjo Escobar, Nicholson, Niebler, Nisticò, Oomen-Ruijten, Oreja Arburúa, Pacheco Pereira, Pack, Parish, Pastorelli, Pérez Álvarez, Perry, Pex, Pirker, Píscarreta, Podestà, Poettering, Pomés Ruiz, Posselt, Pronk, Provan, Purvis, Quisthoudt-Rowohl, Radwan, Redondo Jiménez, Ripoll y Martínez de Bedoya, Røvsing, Rübig, Sacrédeus, Salafranca Sánchez-Neyra, Santer, Santini, Sartori, Scallan, Schaffner, Schleicher, Schmitt, Schröder Jürgen, Schwaiger, Sommer, Stenmarck, Stenzel, Stevenson, Stockton, Sturdy, Sudre, Sumberg, Suominen, Tajani, Tannock, Theato, Thyssen, Trakatellis, Twinn, Valdivielso de Cué, Van Orden, Varela Suanzes-Carpegna, van Velzen, de Veyrinas, Vidal-Quadras Roca, Villiers, Vlasto, Wenzel-Perillo, Wijkman, von Wogau, Wuermeling, Zabell, Zacharakis, Zappalà, Zimmerling, Zissener

PSE: Baltas, Cercas, Katiforis, Marinho

UEN: Andrews, Bigliardo, Camre, Collins, Crowley, Fitzsimons, Hyland, Marchiani, Muscardini, Mussa, Musumeci, Nobilia, Ó Neachtain, Pasqua, Poli Bortone, Queiró, Ribeiro e Castro, Thomas-Mauro

Against: 223

EDD: Andersen, Bonde, Sandbæk

ELDR: Attwooll, Sbarbati, Van Hecke

GUE/NGL: Ainardi, Alavanos, Bakopoulos, Bergaz Conesa, Boudjenah, Brie, Caudron, Di Lello Finuoli, Fiebigler, Figueiredo, Frahm, Fraisse, Herzog, Jové Peres, Kaufmann, Koulourianos, Krivine, Manisco, Markov, Maset Campos, Meijer, Modrow, Nair, Patakis, Puerta, Scarbonchi, Schröder Ilka, Seppänen, Sjöstedt, Vachetta, Wurtz

NI: Gorostiaga Atxalandabaso

PPE-DE: Smet

PSE: Andersson, Aparicio Sánchez, Berenguer Fuster, Berès, van den Berg, Berger, Bösch, Bowe, Bullmann, Campos, Carlotti, Casaca, Ceyhun, Corbett, Corbey, Darras, Dehousse, De Keyser, De Rossa, Désir, Díez González, Dührkop Dührkop, Duhamel, Duin, El Khadraoui, Ettl, Evans Robert J.E., Färm, Fava, Ferreira, Ford, Fruteau, Garot, Gebhardt, Gill, Gillig, Glante, Goebbels, Görlach, Gröner, Guy-Quint, Hänsch, Haug, Hazan, Hedkvist Petersen, Honeyball, Howitt, Hughes, van Hulst, Ivari, Imbeni, Izquierdo Collado, Izquierdo Rojo, Jöns, Junker, Karamanou, Karlsson, Keßler, Kindermann, Kinnock, Koukiadis, Krehl, Kreissl-Dörfler, Kuckelkorn, Kuhne, Lage, Lalumière, Lange, Lavarra, Leinen, Linkohr, Lund, McAvan, McCarthy, McNally, Malliori, Mann Erika, Martin David W., Martin Hans-Peter, Martínez Martínez, Mastorakis, Medina Ortega, Mendiluce Pereiro, Menéndez del Valle, Miguélez Ramos, Miller, Miranda de Lage, Moraes, Morgan, Müller, Murphy, Myller, Napoletano, O'Toole, Paasilinna, Paciotti, Patrie, Piecyk, Pittella, Poignant, Poos, Prets, Rapkay, Read, Rocard, Roth-Behrendt, Rothe, Rothley, Roure, Ruffolo, Sacconi, Sakellariou, Sandberg-Fries, dos Santos, Sauquillo Pérez del Arco, Savary, Scheele, Schmid Gerhard, Schulz, Simpson, Skinner, Soares, Sornosa Martínez, Souladakis, Sousa Pinto, Stihler, Stockmann, Swibel, Swoboda, Theorin, Thorning-Schmidt, Titley, Torres Marques, Vairinhos, Van Lancker, Volcic, Walter, Watts, Weiler, Whitehead, Wiersma, Wynn, Zorba, Zrihen

Verts/ALE: Aaltonen, Ahern, Auroi, Boumediene-Thiery, Bouwman, Breyer, Buitenweg, Celli, Cohn-Bendit, Dhaene, Echerer, Evans Jillian, Ferrández Lezaun, Flautre, Frassoni, Gahrton, Graefe zu Baringdorf, Isler Béguin, Jonckheer, Lagendijk, Lambert, Lannoye, Lipietz, Lucas, MacCormick, McKenna, Maes, Mayol i Raynal, Onesta, Piétrasanta, Rod, de Roo, Rühle, Schörling, Schroedter, Sörensen, Turmes, Voggenhuber, Wuori, Wyn

Abstention: 12

EDD: Bernié, Butel, Esclopé, Kuntz, Mathieu, Saint-Josse

GUE/NGL: Schmid Herman

NI: Borghezio, Garaud, Gobbo

PPE-DE: Costa Raffaele

UEN: Berlato

Wednesday 14 January 2004

Herzog report A5-0484/2003**Recital U, 1st part****For: 458****EDD:** Andersen, Belder, Blokland, Bonde, van Dam, Sandbæk**ELDR:** Andreasen, André-Léonard, Attwooll, Busk, Calò, Clegg, Costa Paolo, Davies, De Clercq, Di Pietro, Duff, Dybkjær, Fleisch, Gasòliba i Böhm, Huhne, Jensen, Ludford, Lynne, Maaten, Malmström, Manders, Monsonís Domingo, Mulder, Newton Dunn, Nordmann, Olsson, Paulsen, Pesälä, Plooij-van Gorsel, Pohjamo, Procacci, Ries, Riis-Jørgensen, Rutelli, Sbarbati, Schmidt, Sterckx, Sørensen, Thors, Väyrynen, Vallvé, Van Hecke, Vermeer, Virrankoski, Wallis, Watson**GUE/NGL:** Frahm, Herzog, Seppänen, Vachetta**NI:** Berthu, Beysen, Bonino, Borghezio, Cappato, Della Vedova, Dupuis, Gobbo, Hager, Ilgenfritz, Kronberger, de La Perriere, Paisley, Pannella, Souchet, Turco**PPE-DE:** Almeida Garrett, Andria, Arvidsson, Atkins, Averoff, Avilés Perea, Ayuso González, Balfe, Banotti, Bartolozzi, Bastos, Bayona de Perogordo, Beazley, Bébéar, Böge, von Boetticher, Bourlanges, Bowis, Bradbourn, Bremmer, Brienza, Brok, Brunetta, Bushill-Matthews, Callanan, Camisón Asensio, Cardoso, Cederschiöld, Chichester, Cocilovo, Coelho, Cornillet, Corrie, Costa Raffaele, Cushnahan, Daul, Deprez, Descamps, De Veyrac, Dimitrakopoulos, Dover, Doyle, Ebner, Elles, Fatuzzo, Ferber, Fernández Martín, Ferrer, Ferri, Fiori, Flemming, Florenz, Folias, Foster, Fourtou, Friedrich, Gahler, Galeote Quecedo, García-Margallo y Marfil, García-Orcoyen Tormo, Gargani, Garriga Polledo, Gemelli, Gil-Robles Gil-Delgado, Glase, Goepel, Gomolka, Goodwill, Gouveia, Graça Moura, Grönfeldt Bergman, Grosch, Grossetête, Hannan, Hansenne, Harbour, Hatzidakis, Heaton-Harris, Helmer, Hermange, Hernández Mollar, Herranz García, Hieronymi, Inglewood, Jackson, Jarzembowski, Jeggle, Kastler, Keppelhoff-Wiechert, Khanbhai, Kirkhope, Klamt, Klauf, Koch, Konrad, Korhola, Lamassoure, Langen, Laschet, Lechner, Lehne, Liese, Lisi, Lombardo, Lulling, Maat, McCartin, McMillan-Scott, Mann Thomas, Marini, Marques, Martens, Matikainen-Kallström, Mauro, Mayer Hans-Peter, Mayer Xaver, Méndez de Vigo, Menrad, Mombaur, Morillon, Musotto, Naranjo Escobar, Nicholson, Niebler, Nisticò, Oomen-Ruijten, Oreja Arburúa, Pacheco Pereira, Pack, Parish, Pastorelli, Pérez Álvarez, Perry, Pex, Pirker, Piscarreta, Podestà, Poettering, Pomés Ruiz, Posselt, Pronk, Provan, Purvis, Quisthoudt-Rowohl, Radwan, Redondo Jiménez, Ripoll y Martínez de Bedoya, Rovsing, Rübiger, Salafranca Sánchez-Neyra, Santer, Santini, Sartori, Scallon, Schaffner, Schierhuber, Schleicher, Schmitt, Schröder Jürgen, Schwaiger, Smet, Sommer, Stenmarck, Stenzel, Stevenson, Stockton, Sturdy, Sudre, Sumberg, Suominen, Tajani, Tannock, Theato, Thyssen, Trakatellis, Twinn, Valdivielso de Cué, Van Orden, Varela Suanzes-Carpegna, van Velzen, de Veyrinas, Vidal-Quadras Roca, Villiers, Vlasto, Wenzel-Perillo, Wijkman, von Wogau, Wuermeling, Zabell, Zacharakis, Zappalà, Zimmerling, Zissener**PSE:** Andersson, Aparicio Sánchez, Baltas, Berenguer Fuster, Berès, van den Berg, Berger, Bösch, Bowe, Bullmann, Campos, Carlotti, Casaca, Ceyhun, Corbett, Corbey, Darras, De Rossa, Désir, Díez González, Dührkop Dührkop, Duhamel, Duin, Ettl, Evans Robert J.E., Färm, Fava, Ferreira, Ford, Fruteau, Garot, Gebhardt, Gill, Gillig, Glante, Goebbels, Görlach, Gröner, Guy-Quint, Hänsch, Haug, Hazan, Hedkvist Petersen, Honeyball, Howitt, Hughes, van Hulst, Iivari, Imbeni, Izquierdo Collado, Izquierdo Rojo, Jöns, Junker, Karamanou, Karlsson, Keßler, Kindermann, Kinnock, Koukiadis, Krehl, Kreissl-Dörfler, Kuckelkorn, Kuhne, Lage, Lalumière, Lange, Lavarra, Leinen, Linkohr, Lund, McAvan, McCarthy, McNally, Malliori, Mann Erika, Marinho, Martin David W., Martin Hans-Peter, Martínez Martínez, Mastorakis, Medina Ortega, Mendiluce Pereiro, Menéndez del Valle, Miguélez Ramos, Miller, Miranda de Lage, Moraes, Morgan, Müller, Murphy, Napolitano, O'Toole, Paasilinna, Paciotti, Patrie, Piecyk, Pittella, Poignant, Poos, Rapkay, Read, Rocard, Roth-Behrendt, Rothe, Rothley, Roure, Ruffolo, Sacconi, Sakellariou, Sandberg-Fries, dos Santos, Sauquillo Pérez del Arco, Savary, Scheele, Schmid Gerhard, Schulz, Simpson, Skinner, Soares, Sornosa Martínez, Souladakis, Sousa Pinto, Stihler, Stockmann, Swiebel, Swoboda, Theorin, Thorning-Schmidt, Titley, Torres Marques, Vairinhos, Volcic, Walter, Watts, Weiler, Whitehead, Wiersma, Wynn, Zorba**UEN:** Andrews, Bigliardo, Camre, Collins, Crowley, Fitzsimons, Marchiani, Musumeci, Nobilia, Ó Neachtain, Pasqua, Poli Bortone, Queiró, Ribeiro e Castro, Thomas-Mauro**Verts/ALE:** Aaltonen, Ahern, Auroi, Boumediene-Thiery, Bouwman, Breyer, Buitenweg, Celli, Dhaene, Echerer, Evans Jillian, Ferrández Lezaun, Flautre, Frassoni, Gahrton, Graefe zu Baringdorf, Isler Béguin, Jonckheer, Legendijk, Lambert, Lannoye, Lipietz, Lucas, MacCormick, McKenna, Maes, Mayol i Raynal, Onesta, Piétrasanta, Rod, de Roo, Rühle, Schörling, Schroedter, Sörensen, Turmes, Voggenhuber, Wuori, Wyn

Wednesday 14 January 2004

Against: 21

EDD: Booth, Farage, Titford

GUE/NGL: Bordes, Cauquil, Fiebiger, Laguiller

NI: Claeys, Dillen, de Gaulle, Gollnisch, Lang, Martinez, Stirbois

PPE-DE: Sacrédeus

PSE: Dehousse, De Keyser, El Khadraoui, Prets, Van Lancker, Zrihen

Abstention: 37

EDD: Abitbol, Bernié, Butel, Esclopé, Mathieu, Saint-Josse

GUE/NGL: Ainardi, Alavanos, Bakopoulos, Bergaz Conesa, Boudjenah, Brie, Caudron, Di Lello Finuoli, Figueiredo, Fraisse, Jové Peres, Kaufmann, Koulourianos, Krivine, Manisco, Markov, Maset Campos, Meijer, Modrow, Nair, Puerta, Scarbonchi, Schmid Herman, Schröder Ilka, Sjöstedt, Wurtz

NI: Garaud, Gorostiaga Atxalandabaso

UEN: Berlato, Muscardini, Mussa

Herzog report A5-0484/2003

Recital U, 2nd part

For: 366

EDD: Andersen, Belder, Blokland, Bonde, van Dam, Sandbæk

ELDR: Attwooll, Di Pietro, Nordmann, Sbarbati, Van Hecke

GUE/NGL: Blak, Frahm, Herzog

NI: Beysen, Claeys, Dillen, de Gaulle, Hager, Ilgenfritz, Kronberger, Lang, Martinez, Paisley, Stirbois

PPE-DE: Almeida Garrett, Andria, Averoff, Avilés Perea, Ayuso González, Banotti, Bartolozzi, Bastos, Bayona de Perogordo, Bébéar, Berend, Böge, von Boetticher, Bourlanges, Bremmer, Brienza, Brok, Brunetta, Camisón Asensio, Cardoso, Cocilovo, Coelho, Cornillet, Costa Raffaele, Cushnahan, Daul, Deprez, Descamps, De Veyrac, Dimitrakopoulos, Doyle, Ebner, Fatuzzo, Ferber, Fernández Martín, Ferrer, Ferri, Fiori, Flemming, Folias, Fourtou, Friedrich, Gahler, Galeote Quecedo, García-Margallo y Marfil, García-Orcyoyen Tormo, Gargani, Garriga Polledo, Gemelli, Gil-Robles Gil-Delgado, Glase, Goepel, Gomolka, Gouveia, Graça Moura, Grosch, Grossetête, Hansenne, Hatzidakis, Hernández Mollar, Herranz García, Hieronymi, Jarzembowski, Jeggel, Karas, Kastler, Keppelhoff-Wiechert, Klamt, Klaß, Koch, Konrad, Korhola, Lamassoure, Langen, Laschet, Lechner, Lehne, Liese, Lisi, Lombardo, Lulling, Maat, Mann Thomas, Marini, Marinos, Marques, Martens, Matikainen-Kallström, Mauro, Mayer Hans-Peter, Mayer Xaver, Méndez de Vigo, Menrad, Mombaur, Morillon, Musotto, Naranjo Escobar, Niebler, Nisticò, Oomen-Ruijten, Oreja Arburúa, Pacheco Pereira, Pack, Pastorelli, Pérez Álvarez, Pex, Piscarreta, Podestà, Poettering, Posselt, Pronk, Quisthoudt-Rowohl, Radwan, Ripoll y Martínez de Bedoya, Røvsing, Rübig, Sacrédeus, Salafranca Sánchez-Neyra, Santer, Santini, Sartori, Schaffner, Schleicher, Schmitt, Schröder Jürgen, Schwaiger, Smet, Sommer, Stenzel, Sudre, Suominen, Tajani, Theato, Thyssen, Trakatellis, Valdivielso de Cué, Varela Suanzes-Carpegna, van Velzen, de Veyrinas, Vidal-Quadras Roca, Vlasto, Wenzel-Perillo, Wijkman, von Wogau, Wuermeling, Zabell, Zacharakis, Zappalà, Zimmerling, Zissener

PSE: Andersson, Aparicio Sánchez, Baltas, Berenguer Fuster, Berès, van den Berg, Berger, Bösch, Bowe, Bullmann, Campos, Carlotti, Casaca, Cercas, Ceyhun, Corbett, Corbey, Darras, Dehousse, De Keyser, De Rossa, Désir, Díez González, Dührkop Dührkop, Duhamel, Duin, El Khadraoui, Ettl, Evans Robert J.E., Färm, Fava, Ferreira, Ford, Garot, Gebhardt, Gill, Gillig, Glante, Görlach, Gröner, Guy-Quint, Hänsch, Haug, Hazan, Hedkvist Petersen, Honeyball, Howitt, Hughes, van Hulten, Iivari, Imbeni, Izquierdo Collado, Izquierdo Rojo, Jöns, Junker, Karamanou, Karlsson, Katiforis, Keßler, Kindermann, Kinnock, Koukiadis, Krehl, Kreissl-Dörfler, Kuckelkorn, Kuhne, Lage, Lalumière, Lange, Lavarra, Leinen, Linkohr, Lund, McAvan, McCarthy, McNally, Malliori, Mann Erika, Marinho, Martin Hans-Peter, Martínez Martínez, Mastorakis, Medina Ortega, Mendiluce Pereiro, Menéndez del Valle, Miguélez Ramos, Miller, Miranda de

Wednesday 14 January 2004

Lage, Moraes, Morgan, Müller, Murphy, Myller, Napoletano, O'Toole, Paasilinna, Paciotti, Patrie, Piecyk, Pittella, Poignant, Poos, Prets, Rapkay, Read, Rocard, Roth-Behrendt, Rothe, Rothley, Roure, Ruffolo, Sacconi, Sakellariou, Sandberg-Fries, dos Santos, Sauquillo Pérez del Arco, Savary, Scheele, Schmid Gerhard, Schulz, Simpson, Skinner, Soares, Sornosa Martínez, Souladakis, Sousa Pinto, Stihler, Stockmann, Swibel, Swoboda, Theorin, Thorning-Schmidt, Titley, Torres Marques, Vairinhos, Van Lancker, Volcic, Walter, Watts, Weiler, Whitehead, Wiersma, Wynn, Zorba, Zrihen

UEN: Andrews, Bigliardo, Camre, Fitzsimons, Hyland, Queiró

Verts/ALE: Aaltonen, Ahern, Auroi, Boumediene-Thiery, Bouwman, Breyer, Buitenweg, Celli, Cohn-Bendit, Dhaene, Echerer, Evans Jillian, Ferrández Lezaun, Flautre, Frassoni, Gahrton, Graefe zu Baringdorf, Isler Béguin, Jonckheer, Lagendijk, Lambert, Lannoye, Lipietz, Lucas, MacCormick, McKenna, Maes, Mayol i Raynal, Onesta, Piétrasanta, Rod, de Roo, Rühle, Schörling, Schroedter, Sörensen, Turmes, Voggenhuber, Wuori, Wyn

Against: 108

EDD: Abitbol, Booth, Farage, Titford

ELDR: Andreasen, André-Léonard, Busk, Calò, Clegg, Costa Paolo, Davies, De Clercq, Duff, Fleisch, Gasòliba i Böhm, Huhne, Jensen, Ludford, Lynne, Maaten, Malmström, Manders, Monsonís Domingo, Mulder, Newton Dunn, Olsson, Paulsen, Pesälä, Plooij-van Gorsel, Pohjamo, Procacci, Ries, Riis-Jørgensen, Rutelli, Schmidt, Sterckx, Sørensen, Thors, Väyrynen, Vallvé, Vermeer, Virrankoski, Wallis, Watson

GUE/NGL: Fiebiger, Markov, Vachetta

NI: Berthu, Bonino, Cappato, Della Vedova, Dupuis, de La Perriere, Pannella, Turco

PPE-DE: Arvidsson, Atkins, Balfé, Beazley, Bowis, Bradbourn, Bushill-Matthews, Cederschiöld, Chichester, Corrie, Dover, Elles, Foster, Goodwill, Grönfeldt Bergman, Hannan, Harbour, Heaton-Harris, Helmer, Inglewood, Jackson, Khanbhai, Kirkhope, Kratsa-Tsagaropoulou, McMillan-Scott, Nicholson, Parish, Perry, Provan, Purvis, Redondo Jiménez, Scallon, Stenmarck, Stevenson, Stockton, Sturdy, Sumberg, Tannock, Twinn, Van Orden, Villiers

UEN: Berlatto, Collins, Crowley, Marchiani, Muscardini, Mussa, Nobilia, Ó Neachtain, Pasqua, Poli Bortone, Ribeiro e Castro, Thomas-Mauro

Abstention: 42

EDD: Bernié, Butel, Coûteaux, Esclopé, Mathieu, Saint-Josse

ELDR: Dybkjær

GUE/NGL: Ainardi, Alavanos, Bakopoulos, Bergaz Conesa, Bordes, Boudjenah, Brie, Caudron, Cauquil, Di Lello Finuoli, Figueiredo, Fraisse, Jové Peres, Kaufmann, Koulourianos, Krivine, Laguiller, Manisco, Marset Campos, Meijer, Modrow, Naïr, Patakis, Puerta, Scarbonchi, Schmid Herman, Schröder Ilka, Seppänen, Sjöstedt, Wurtz

NI: Borghezio, Garaud, Gobbo, Gorostiaga Atxalandabaso, Souchet

Herzog report A5-0484/2003

Amendment 17

For: 258

EDD: Andersen, Bernié, Bonde, Booth, Butel, Coûteaux, Esclopé, Farage, Mathieu, Saint-Josse, Sandbæk, Titford

ELDR: Costa Paolo, Di Pietro, Plooij-van Gorsel, Procacci, Rutelli, Sbarbati, Väyrynen, Virrankoski

GUE/NGL: Ainardi, Alavanos, Bakopoulos, Bergaz Conesa, Bordes, Boudjenah, Brie, Caudron, Cauquil, Di Lello Finuoli, Fiebiger, Figueiredo, Frahm, Fraisse, Herzog, Jové Peres, Kaufmann, Koulourianos, Krivine,

Wednesday 14 January 2004

Laguiller, Manisco, Markov, Marset Campos, Meijer, Modrow, Nair, Patakis, Puerta, Scarbonchi, Schmid Herman, Schröder Ilka, Seppänen, Sjöstedt, Vachetta, Wurtz

NI: Borghezio, Claeys, Dillen, Garaud, de Gaulle, Gobbo, Gollnisch, Gorostiaga Atxalandabaso, Lang, de La Perriere, Martinez, Stirbois

PPE-DE: Cocilovo, Costa Raffaele, Grosch, Smet, Thyssen

PSE: Andersson, Aparicio Sánchez, Baltas, Berenguer Fuster, Berès, van den Berg, Berger, Bösch, Bowe, Bullmann, Campos, Carlotti, Casaca, Cercas, Ceyhun, Corbett, Corbey, Darras, Dehousse, De Keyser, De Rossa, Désir, Díez González, Dührkop Dührkop, Duhamel, Duin, El Khadraoui, Ettl, Evans Robert J.E., Färm, Fava, Ferreira, Ford, Fruteau, Garot, Gebhardt, Gill, Gillig, Glante, Goebbels, Görlach, Gröner, Guy-Quint, Hänsch, Haug, Hazan, Hedkvist Petersen, Honeyball, Howitt, Hughes, van Hulten, Iivari, Imbeni, Izquierdo Collado, Izquierdo Rojo, Jöns, Junker, Karamanou, Karlsson, Katiforis, Keßler, Kindermann, Kinnock, Koukiadis, Krehl, Kreissl-Dörfler, Kuckelkorn, Kuhne, Lage, Lalumière, Lange, Lavarra, Leinen, Linkohr, Lund, McAvan, McCarthy, McNally, Malliori, Mann Erika, Marinho, Martin David W., Martin Hans-Peter, Martínez Martínez, Mastorakis, Medina Ortega, Mendiluce Pereiro, Menéndez del Valle, Miguélez Ramos, Miller, Miranda de Lage, Moraes, Morgan, Müller, Murphy, Myller, Napoletano, O'Toole, Paasilinna, Paciotti, Patrie, Piecyk, Pittella, Poignant, Poos, Prets, Rapkay, Read, Rocard, Roth-Behrendt, Rothe, Rothley, Roure, Ruffolo, Sacconi, Sakellariou, Sandberg-Fries, dos Santos, Sauquillo Pérez del Arco, Savary, Scheele, Schmid Gerhard, Schulz, Simpson, Skinner, Soares, Sornosa Martínez, Souladakos, Sousa Pinto, Stihler, Stockmann, Swiebel, Swoboda, Theorin, Thorning-Schmidt, Titley, Torres Marques, Vairinhos, Van Lancker, Volcic, Walter, Watts, Weiler, Whitehead, Wiersma, Wynn, Zorba, Zrihen

Verts/ALE: Aaltonen, Auroi, Boumediene-Thiery, Bouwman, Breyer, Buitenweg, Celli, Dhaene, Echerer, Evans Jillian, Ferrández Lezaun, Flautre, Frassoni, Gahrton, Graefe zu Baringdorf, Isler Béguin, Jonckheer, Legendijk, Lambert, Lannoye, Lipietz, Lucas, MacCormick, McKenna, Maes, Mayol i Raynal, Onesta, Piétrasanta, Rod, de Roo, Rühle, Schörling, Schroedter, Sörensen, Turmes, Voggenhuber, Wuori, Wyn

Against: 249

EDD: Belder, Blokland, van Dam

ELDR: Andreasen, André-Léonard, Busk, Calò, Clegg, Davies, De Clercq, Duff, Dybkjær, Flesch, Gasòliba i Böhm, Huhne, Jensen, Ludford, Lynne, Maaten, Malmström, Manders, Mulder, Newton Dunn, Nordmann, Olsson, Paulsen, Pesälä, Pohjamo, Ries, Riis-Jørgensen, Schmidt, Sterckx, Sørensen, Thors, Vallvé, Vermeer, Wallis, Watson

NI: Beysen, Bonino, Cappato, Della Vedova, Dupuis, Hager, Ilgenfritz, Paisley, Pannella, Turco

PPE-DE: Almeida Garrett, Andria, Arvidsson, Atkins, Averoff, Avilés Perea, Ayuso González, Balfe, Banotti, Bartolozzi, Bastos, Bayona de Perogordo, Beazley, Bébéar, Berend, Böge, von Boetticher, Bourlanges, Bowis, Bradbourn, Bremmer, Brienza, Brok, Bushill-Matthews, Callanan, Camisón Asensio, Cardoso, Cederschiöld, Chichester, Coelho, Cornillet, Corrie, Cushnahan, Daul, Deprez, Descamps, De Veyrac, Dimitrakopoulos, Dover, Doyle, Ebner, Elles, Fatuzzo, Ferber, Fernández Martín, Ferrer, Ferri, Fiori, Flemming, Florenz, Folia, Foster, Fourtou, Friedrich, Gahler, Galeote Quecedo, García-Margallo y Marfil, García-Orcoyen Tormo, Gargani, Garriga Polledo, Gemelli, Gil-Robles Gil-Delgado, Glase, Goepel, Gomolka, Goodwill, Gouveia, Graça Moura, Grönfeldt Bergman, Grossetête, Hannan, Hansenne, Harbour, Hatzidakis, Heaton-Harris, Helmer, Hermange, Hernández Mollar, Herranz García, Hieronymi, Inglewood, Jackson, Jarzembowski, Jeggler, Karas, Kastler, Keppelhoff-Wiechert, Khanbhai, Kirkhope, Klamt, Klauf, Koch, Konrad, Korhola, Kratsa-Tsagaropoulou, Lamassoure, Langen, Laschet, Lechner, Lehne, Liese, Lisi, Lombardo, Lulling, Maat, McCartin, McMillan-Scott, Mann Thomas, Marini, Marinos, Marques, Martens, Matikainen-Kallström, Mauro, Mayer Hans-Peter, Mayer Xaver, Méndez de Vigo, Menrad, Mombaur, Morillon, Musotto, Naranjo Escobar, Nicholson, Niebler, Nisticò, Oomen-Ruijten, Oreja Arburúa, Pacheco Pereira, Pack, Parish, Pastorelli, Pérez Álvarez, Perry, Pex, Pirker, Piscarreta, Podestà, Poettering, Pomés Ruiz, Posselt, Pronk, Provan, Purvis, Quisthoudt-Rowohl, Radwan, Redondo Jiménez, Ripoll y Martínez de Bedoya, Rovsing, Rübig, Sacrédeus, Salafrañca Sánchez-Neyra, Santer, Santini, Sartori, Scallan, Schaffner, Schierhuber, Schleicher, Schmitt, Schröder Jürgen, Schwaiger, Sommer, Stenmarck, Stenzel, Stevenson, Stockton, Sturdy, Sudre, Sumberg, Suominen, Tajani, Tannock, Theato, Trakatellis, Twinn, Valdivielso de Cué, Van Orden, Varela Suanzes-Carpegna, van Velzen, de Veyrinas, Vidal-Quadras Roca, Villiers, Vlasto, Wenzel-Perillo, Wijkman, von Wogau, Wuermeling, Zabell, Zacharakis, Zappalà, Zimmerling, Zissener

UEN: Andrews, Camre, Collins, Crowley, Fitzsimons, Hyland, Marchiani, Ó Neachtain, Queiró

Wednesday 14 January 2004

Abstention: 15**EDD:** Abitbol**ELDR:** Attwooll, Van Hecke**GUE/NGL:** Blak**NI:** Berthu, Souchet**UEN:** Bigliardo, Muscardini, Mussa, Musumeci, Nobilia, Pasqua, Poli Bortone, Ribeiro e Castro, Thomas-Mauro**Herzog report A5-0484/2003****Amendment 37****For: 262****EDD:** Abitbol, Andersen, Belder, Bernié, Blokland, Bonde, Butel, Coûteaux, van Dam, Esclopé, Mathieu, Saint-Josse, Sandbæk**ELDR:** Di Pietro, Sbarbati**GUE/NGL:** Ainardi, Alavanos, Bakopoulos, Bergaz Conesa, Blak, Boudjenah, Brie, Caudron, Di Lello Finuoli, Fiebiger, Figueiredo, Frahm, Fraisse, Herzog, Jové Peres, Kaufmann, Koulourianos, Krivine, Manisco, Markov, Marset Campos, Meijer, Modrow, Nair, Puerta, Scarbonchi, Schmid Herman, Schröder Ilka, Seppänen, Sjöstedt, Vachetta, Wurtz**NI:** Borghezio, Claeys, Dillen, de Gaulle, Gobbo, Gollnisch, Gorostiaga Atxalandabaso, Lang, Martinez, Stirbois**PPE-DE:** Thyssen**PSE:** Andersson, Aparicio Sánchez, Baltas, Berenguer Fuster, Berès, van den Berg, Berger, Bösch, Bowe, Bullmann, Campos, Carlotti, Casaca, Cercas, Ceyhun, Corbett, Corbey, Darras, Dehousse, De Keyser, De Rossa, Désir, Díez González, Dührkop Dührkop, Duhamel, Duin, El Khadraoui, Ettl, Evans Robert J.E., Färm, Fava, Ferreira, Ford, Fruteau, Garot, Gebhardt, Gill, Gillig, Glante, Goebbels, Görlach, Gröner, Guy-Quint, Hänsch, Haug, Hazan, Hedkvist Petersen, Honeyball, Howitt, Hughes, van Hulst, Iivari, Imbeni, Izquierdo Collado, Izquierdo Rojo, Jöns, Junker, Karamanou, Karlsson, Katiforis, Keßler, Kindermann, Kinnock, Koukiadis, Krehl, Kreissl-Dörfler, Kuckelkorn, Kuhne, Lage, Lalumière, Lange, Lavarra, Leinen, Linkohr, Lund, McAvan, McCarthy, McNally, Malliori, Mann Erika, Marinho, Martin David W., Martin Hans-Peter, Martínez Martínez, Mastorakis, Medina Ortega, Mendiluce Pereiro, Menéndez del Valle, Miguélez Ramos, Miller, Miranda de Lage, Moraes, Morgan, Müller, Murphy, Myller, Napoletano, O'Toole, Paasilinna, Paciotti, Patrie, Piecyk, Pittella, Poignant, Poos, Prets, Rapkay, Read, Rocard, Roth-Behrendt, Rothe, Rothley, Roure, Ruffolo, Sacconi, Sakellariou, Sandberg-Fries, dos Santos, Sauquillo Pérez del Arco, Savary, Scheele, Schmid Gerhard, Schulz, Simpson, Skinner, Soares, Sornosa Martínez, Souladakakis, Sousa Pinto, Stihler, Stockmann, Swiebel, Swoboda, Theorin, Thorning-Schmidt, Titley, Torres Marques, Vairinhos, Van Lancker, Volcic, Walter, Watts, Weiler, Whitehead, Wiersma, Wynn, Zorba, Zrihen**UEN:** Andrews, Berlato, Bigliardo, Camre, Collins, Crowley, Fitzsimons, Hyland, Muscardini, Mussa, Musumeci, Nobilia, Ó Neachtain, Pasqua, Poli Bortone, Queiró, Ribeiro e Castro, Thomas-Mauro**Verts/ALE:** Aaltonen, Auroi, Boumediene-Thiery, Bouwman, Breyer, Buitenweg, Celli, Cohn-Bendit, Dhaene, Echerer, Evans Jillian, Ferrández Lezaun, Flautre, Frassoni, Gahrton, Graefe zu Baringdorf, Isler Béguin, Jonckheer, Lagendijk, Lambert, Lannoye, Lipietz, Lucas, MacCormick, McKenna, Maes, Mayol i Raynal, Onesta, Piétrasanta, Rod, de Roo, Rühle, Schroedter, Sörensen, Turmes, Voggenhuber, Wuori, Wyn**Against: 245****EDD:** Booth, Farage, Titford**ELDR:** Andreasen, André-Léonard, Busk, Calò, Clegg, Costa Paolo, Davies, De Clercq, Duff, Dybkjær, Flesch, Gasòliba i Böhm, Huhne, Jensen, Ludford, Lynne, Maaten, Malmström, Manders, Monsonís Domingo, Mulder, Newton Dunn, Nordmann, Paulsen, Pesälä, Plooi-j-van Gorsel, Pohjamo, Procacci, Ries, Riis-Jørgensen, Rutelli, Schmidt, Sørensen, Thors, Väyrynen, Vallvé, Vermeer, Virrankoski, Wallis, Watson

Wednesday 14 January 2004

NI: Beysen, Bonino, Cappato, Della Vedova, Dupuis, Hager, Ilgenfritz, Paisley, Turco

PPE-DE: Almeida Garrett, Andria, Arvidsson, Atkins, Averoff, Avilés Perea, Ayuso González, Balfé, Banotti, Bartolozzi, Bastos, Bayona de Perogordo, Beazley, Bébéar, Berend, Böge, von Boetticher, Bourlanges, Bowis, Bradbourn, Bremmer, Brienza, Brok, Bushill-Matthews, Callanan, Camisón Asensio, Cardoso, Cederschiöld, Chichester, Cocilovo, Coelho, Cornillet, Costa Raffaele, Cushnahan, Daul, Deprez, Descamps, De Veyrac, Dimitrakopoulos, Dover, Doyle, Ebner, Elles, Fatuzzo, Ferber, Fernández Martín, Ferrer, Ferri, Fiori, Flemming, Florenz, Foliás, Foster, Fourtou, Friedrich, Gahler, Galeote Quecedo, García-Margallo y Marfil, García-Orcoyen Tormo, Gargani, Garriga Polledo, Gemelli, Gil-Robles Gil-Delgado, Glase, Goepel, Gomolka, Goodwill, Gouveia, Graça Moura, Grönfeldt Bergman, Grosch, Grossetête, Hannan, Hansenne, Harbour, Hatzidakis, Heaton-Harris, Helmer, Hermange, Hernández Mollar, Herranz García, Hieronymi, Inglewood, Jackson, Jarzembowski, Jeggle, Karas, Kastler, Keppelhoff-Wiechert, Khanbhai, Kirkhope, Klamt, Klaß, Koch, Konrad, Korhola, Kratsa-Tsagaropoulou, Lamassoure, Langen, Laschet, Lechner, Lehne, Liese, Lisi, Lombardo, Lulling, Maat, McCartin, McMillan-Scott, Mann Thomas, Marini, Marinos, Marques, Matikainen-Kallström, Mauro, Mayer Hans-Peter, Méndez de Vigo, Menrad, Mombaur, Morillon, Musotto, Naranjo Escobar, Nicholson, Niebler, Nisticò, Oomen-Ruijten, Oreja Arburúa, Pacheco Pereira, Pack, Parish, Pastorelli, Pérez Álvarez, Perry, Pex, Pirker, Piscarreta, Podestà, Poettering, Pomés Ruiz, Posselt, Pronk, Provan, Purvis, Quisthoudt-Rowohl, Radwan, Redondo Jiménez, Ripoll y Martínez de Bedoya, Rovsing, Rübig, Sacrédeus, Salafranca Sánchez-Neyra, Santer, Santini, Sartori, Scallon, Schaffner, Schierhuber, Schleicher, Schmitt, Schröder Jürgen, Smet, Sommer, Stenmarck, Stenzel, Stevenson, Stockton, Sturdy, Sudre, Sumberg, Suominen, Tajani, Tannock, Theato, Trakatellis, Twinn, Valdivielso de Cué, Van Orden, Varela Suanzes-Carpegna, van Velzen, de Veyrinas, Vidal-Quadras Roca, Villiers, Vlasto, Wenzel-Perillo, Wijkman, von Wogau, Wuermeling, Zabell, Zacharakis, Zappalà, Zimmerling, Zissener

UEN: Marchiani

Abstention: 6

ELDR: Attwooll, Van Hecke

GUE/NGL: Patakis

NI: Berthu, Garaud, Souchet

Herzog report A5-0484/2003

Resolution

For: 383

EDD: Belder, Blokland, van Dam

ELDR: Andreasen, André-Léonard, Attwooll, Busk, Calò, Clegg, Costa Paolo, Davies, De Clercq, Di Pietro, Duff, Dybkjær, Fleisch, Gasòliba i Böhm, Huhne, Jensen, Ludford, Lynne, Maaten, Malmström, Manders, Monsonís Domingo, Mulder, Newton Dunn, Nordmann, Olsson, Paulsen, Pesälä, Plooi-j-van Gorsel, Pohjamo, Procacci, Ries, Riis-Jørgensen, Rutelli, Sbarbati, Schmidt, Sterckx, Sørensen, Thors, Vallvé, Van Hecke, Vermeer, Virrankoski, Wallis, Watson

GUE/NGL: Blak, Herzog, Puerta

NI: Beysen, Bonino, Borghezio, Cappato, Della Vedova, Dupuis, Gobbo, Hager, Ilgenfritz, Kronberger, Pannella, Turco

PPE-DE: Almeida Garrett, Andria, Arvidsson, Atkins, Averoff, Avilés Perea, Ayuso González, Balfé, Banotti, Bartolozzi, Bastos, Bayona de Perogordo, Beazley, Bébéar, Berend, Böge, von Boetticher, Bourlanges, Bowis, Bradbourn, Bremmer, Brienza, Brok, Bushill-Matthews, Callanan, Camisón Asensio, Cardoso, Cederschiöld, Chichester, Cocilovo, Coelho, Cornillet, Corrie, Costa Raffaele, Cushnahan, Daul, Deprez, Descamps, De Veyrac, Dimitrakopoulos, Dover, Doyle, Ebner, Elles, Fatuzzo, Ferber, Fernández Martín, Ferrer, Ferri, Fiori, Florenz, Foliás, Foster, Fourtou, Friedrich, Gahler, Galeote Quecedo, García-Margallo y Marfil, García-Orcoyen Tormo, Gargani, Garriga Polledo, Gemelli, Gil-Robles Gil-Delgado, Glase, Goepel, Gomolka, Goodwill, Gouveia, Graça Moura, Grönfeldt Bergman, Grosch, Grossetête, Hannan, Hansenne, Harbour, Hatzidakis, Heaton-Harris, Hermange, Hernández Mollar, Herranz García, Hieronymi, Inglewood, Jackson, Jarzembowski, Jeggle, Karas, Kastler, Keppelhoff-Wiechert, Khanbhai, Klamt, Klaß, Koch, Konrad, Korhola, Kratsa-Tsagaropoulou, Lamassoure, Langen, Laschet, Lechner, Lehne, Liese, Lisi, Lulling, Maat, McCartin, McMillan-Scott, Mann Thomas, Marini, Marinos, Marques, Martens, Matikainen-Kallström,

Wednesday 14 January 2004

Mauro, Mayer Hans-Peter, Mayer Xaver, Méndez de Vigo, Menrad, Mombaur, Morillon, Naranjo Escobar, Nicholson, Niebler, Nisticò, Oomen-Ruijten, Oreja Arburúa, Pacheco Pereira, Pack, Parish, Pastorelli, Pérez Álvarez, Perry, Pex, Pirker, Piscarreta, Podestà, Poettering, Posselt, Pronk, Provan, Purvis, Quisthoudt-Rowohl, Radwan, Redondo Jiménez, Ripoll y Martínez de Bedoya, Rovsing, Rübig, Sacrédeus, Salafranca Sánchez-Neyra, Santer, Santini, Sartori, Scallon, Schaffner, Schierhuber, Schleicher, Schmitt, Schröder Jürgen, Schwaiger, Smet, Sommer, Stenmarck, Stenzel, Stevenson, Stockton, Sturdy, Sudre, Sumberg, Suominen, Tajani, Tannock, Theato, Thyssen, Trakatellis, Twinn, Valdivielso de Cué, Van Orden, Varela Suanzes-Carpegna, van Velzen, de Veyrinas, Vidal-Quadras Roca, Villiers, Vlasto, Wenzel-Perillo, Wijkman, von Wogau, Wuermeling, Zabell, Zacharakis, Zappalà, Zimmerling, Zissener

PSE: Andersson, Aparicio Sánchez, Baltas, Berenguer Fuster, van den Berg, Berger, Bösch, Bowe, Bullmann, Casaca, Cercas, Ceyhun, Corbett, Corbey, De Rossa, Díez González, Dührkop Dührkop, Duin, Ettl, Evans Robert J.E., Färm, Ford, Gebhardt, Gill, Glante, Goebbels, Görlach, Gröner, Hänsch, Haug, Hedkvist Petersen, Honeyball, Howitt, Hughes, van Hulsten, Iivari, Izquierdo Collado, Izquierdo Rojo, Jöns, Junker, Kamanou, Karlsson, Keßler, Kindermann, Kinnock, Krehl, Kreissl-Dörfler, Kuckelkorn, Kuhne, Lage, Lange, Leinen, Linkohr, McAvan, McCarthy, McNally, Malliori, Mann Erika, Marinho, Martin Hans-Peter, Martínez Martínez, Medina Ortega, Mendiluce Pereiro, Menéndez del Valle, Miguélez Ramos, Miller, Miranda de Lage, Moraes, Morgan, Müller, Murphy, Myller, O'Toole, Piecyk, Poos, Prets, Rapkay, Read, Roth-Behrendt, Rothe, Rothley, Sakellariou, Sandberg-Fries, dos Santos, Sauquillo Pérez del Arco, Scheele, Schmid Gerhard, Schulz, Simpson, Skinner, Soares, Sornosa Martínez, Sousa Pinto, Stihler, Stockmann, Swibel, Swoboda, Theorin, Thorning-Schmidt, Titley, Torres Marques, Vairinhos, Van Lancker, Walter, Watts, Weiler, Whitehead, Wiersma, Wynn, Zorba

UEN: Andrews, Berlato, Bigliardo, Collins, Crowley, Fitzsimons, Hyland, Muscardini, Mussa, Musumeci, Nobilia, Ó Neachtain, Pasqua, Poli Bortone, Queiró, Ribeiro e Castro, Thomas-Mauro

Verts/ALE: MacCormick, Mayol i Raynal

Against: 123

EDD: Abitbol, Andersen, Bernié, Bonde, Booth, Butel, Coûteaux, Mathieu, Saint-Josse, Sandbæk, Titford

ELDR: Väyrynen

GUE/NGL: Ainardi, Alavanos, Bakopoulos, Bergaz Conesa, Bordes, Boudjenah, Brie, Caudron, Cauquil, Di Lello Finuoli, Fiebigger, Figueiredo, Frahm, Fraise, Jové Peres, Kaufmann, Koulourianos, Krivine, Laguiller, Manisco, Markov, Marsset Campos, Meijer, Modrow, Nair, Patakis, Scarbonchi, Schmid Herman, Seppänen, Sjöstedt, Vachetta, Wurtz

NI: Claeys, Dillen, Garaud, de Gaulle, Gollnisch, Gorostiaga Atxalandabaso, Lang, de La Perriere, Martinez, Paisley, Stirbois

PPE-DE: Helmer

PSE: Berès, Campos, Carlotti, Darras, Dehousse, De Keyser, Désir, Duhamel, Fava, Ferreira, Fruteau, Garot, Gillig, Guy-Quint, Hazan, Imbeni, Katiforis, Koukiadis, Lalumière, Lavarra, Lund, Mastorakis, Napoletano, Paciotti, Patrie, Pittella, Poignant, Roure, Ruffolo, Sacconi, Savary, Souladakis, Zrihen

UEN: Camre, Marchiani

Verts/ALE: Aaltonen, Auroi, Boumediene-Thiery, Breyer, Buitenweg, Celli, Echerer, Evans Jillian, Flautre, Frassoni, Gahrton, Graefe zu Baringdorf, Isler Béguin, Jonckheer, Lagendijk, Lambert, Lannoye, Lipietz, Lucas, McKenna, Maes, Piétrasanta, Rod, de Roo, Rühle, Schörling, Schroedter, Sörensen, Turmes, Voggenhuber, Wuori, Wyn

Abstention: 13

EDD: Esclopé

NI: Berthu, Souchet

PPE-DE: Flemming, Musotto

PSE: El Khadraoui, Paasilinna, Rocard, Volcic

Verts/ALE: Cohn-Bendit, Dhaene, Ferrández Lezaun, Onesta

Wednesday 14 January 2004

Sandbæk report A5-0474/2003

Resolution

For: 469

EDD: Abitbol, Andersen, Belder, Bernié, Blokland, Bonde, Butel, Coûteaux, van Dam, Esclopé, Mathieu, Saint-Josse, Sandbæk

ELDR: Andreasen, André-Léonard, Attwooll, Busk, Calò, Clegg, Costa Paolo, Davies, De Clercq, Di Pietro, Duff, Dybkjær, Fleisch, Gasòliba i Böhm, Huhne, Jensen, Ludford, Lynne, Maaten, Malmström, Manders, Monsonís Domingo, Newton Dunn, Nordmann, Olsson, Paulsen, Pesälä, Plooij-van Gorsel, Pohjamo, Procacci, Ries, Riis-Jørgensen, Rutelli, Sbarbati, Schmidt, Sterckx, Sørensen, Thors, Väyrynen, Vallvé, Van Hecke, Vermeer, Virrankoski, Wallis

GUE/NGL: Ainardi, Alavanos, Bakopoulos, Bergaz Conesa, Bordes, Boudjenah, Brie, Caudron, Cauquil, Di Lello Finuoli, Fiebiger, Figueiredo, Frahm, Fraisse, Herzog, Jové Peres, Kaufmann, Koulourianos, Krivine, Laguiller, Manisco, Marset Campos, Meijer, Modrow, Puerta, Schmid Herman, Seppänen, Sjöstedt, Vachetta, Wurtz

NI: Berthu, Beysen, Borghезio, Cappato, Garaud, Gobbo, Gorostiaga Atxalandabaso, Ilgenfritz, Kronberger, de La Perriere, Paisley, Souchet

PPE-DE: Almeida Garrett, Andria, Arvidsson, Atkins, Averoff, Avilés Perea, Ayuso González, Balfé, Banotti, Bartolozzi, Bastos, Bayona de Perogordo, Beazley, Bébéar, Berend, von Boetticher, Bourlanges, Bowis, Bradbourn, Bremmer, Brok, Callanan, Camisón Asensio, Cardoso, Cederschiöld, Chichester, Cocilovo, Coelho, Cornillet, Corrie, Costa Raffaele, Daul, Deprez, Descamps, De Veyrac, Dimitrakopoulos, Dover, Doyle, Ebner, Elles, Fatuzzo, Ferber, Fernández Martín, Ferrer, Ferri, Fiori, Flemming, Folias, Foster, Fourtou, Gahler, Galeote Quecedo, García-Margallo y Marfil, García-Orcoyen Tormo, Gargani, Garriga Polledo, Gemelli, Gil-Robles Gil-Delgado, Glase, Goepel, Gomolka, Goodwill, Gouveia, Graça Moura, Grönfeldt Bergman, Grosch, Grossetête, Hannan, Hansenne, Harbour, Hatzidakis, Heaton-Harris, Helmer, Hermange, Hernández Mollar, Herranz García, Hieronymi, Inglewood, Jackson, Jeggler, Karas, Kastler, Keppelhoff-Wiechert, Khanbhai, Kirkhope, Klamt, Klaß, Koch, Konrad, Korhola, Kratsa-Tsagaropoulou, Laschet, Lechner, Lehne, Liese, Lisi, Lulling, Maat, McCartin, McMillan-Scott, Mann Thomas, Marinos, Marques, Martens, Matikainen-Kallström, Mauro, Mayer Hans-Peter, Mayer Xaver, Méndez de Vigo, Menrad, Mombaur, Morillon, Musotto, Naranjo Escobar, Nisticò, Oomen-Ruijten, Oreja Arburúa, Pacheco Pereira, Pack, Parish, Pastorelli, Pérez Álvarez, Perry, Pex, Pirker, Piscarreta, Podestà, Pronk, Purvis, Quisthoudt-Rowohl, Redondo Jiménez, Ripoll y Martínez de Bedoya, Rovsing, Rübig, Sacrédeus, Salafranca Sánchez-Neyra, Santer, Santini, Sartori, Schaffner, Schierhuber, Schleicher, Schmitt, Schröder Jürgen, Schwaiger, Smet, Sommer, Stenmarck, Stenzel, Stevenson, Stockton, Sudre, Sumberg, Suominen, Tajani, Tannock, Theato, Trakatellis, Twinn, Van Orden, Varela Suanzes-Carpegna, van Velzen, de Veyrinas, Vidal-Quadras Roca, Villiers, Vlasto, Wenzel-Perillo, Wijkman, von Wogau, Wuermeling, Zabell, Zacharakis, Zappalà, Zimmerling, Zissener

PSE: Andersson, Aparicio Sánchez, Baltas, Berenguer Fuster, Berès, van den Berg, Berger, Bösch, Bowe, Bullmann, Carlotti, Casaca, Cercas, Ceyhun, Corbett, Corbey, Darras, Dehousse, De Keyser, De Rosa, Désir, Díez González, Dührkop Dührkop, Duhamel, Duin, El Khadraoui, Ettl, Evans Robert J.E., Färm, Fava, Ferreira, Ford, Fruteau, Garot, Gebhardt, Gill, Gillig, Glante, Goebbels, Görlach, Gröner, Guy-Quint, Hänsch, Haug, Hazan, Hedkvist Petersen, Honeyball, Howitt, Hughes, van Hulten, Iivari, Imbeni, Izquierdo Collado, Izquierdo Rojo, Jöns, Junker, Karamanou, Katiforis, Keßler, Kindermann, Koukiadis, Krehl, Kreissl-Dörfler, Kuckelkorn, Kuhne, Lage, Lalumière, Lange, Lavarra, Leinen, Linkohr, Lund, McAvan, McCarthy, McNally, Malliori, Marinho, Martin David W., Martínez Martínez, Mastorakis, Medina Ortega, Menéndez del Valle, Miguélez Ramos, Miller, Miranda de Lage, Moraes, Müller, Murphy, Myller, Napolitano, O'Toole, Paasilinna, Paciotti, Piecyk, Pittella, Poignant, Poos, Prets, Rapkay, Read, Rocard, Roth-Behrendt, Rothe, Rothley, Roure, Ruffolo, Sacconi, Sakellariou, Sandberg-Fries, dos Santos, Sauquillo Pérez del Arco, Savary, Scheele, Schmid Gerhard, Schulz, Simpson, Skinner, Soares, Sornosa Martínez, Souladakis, Sousa Pinto, Stihler, Stockmann, Swiebel, Swoboda, Theorin, Thorning-Schmidt, Titley, Torres Marques, Vairinhos, Van Lancker, Volcic, Walter, Watts, Weiler, Whitehead, Wiersma, Wynn, Zorba, Zrihen

UEN: Andrews, Berlato, Bigliardo, Camre, Collins, Crowley, Fitzsimons, Marchiani, Muscardini, Mussa, Musumeci, Nobilia, Ó Neachtain, Pasqua, Poli Bortone, Queiró, Ribeiro e Castro, Thomas-Mauro

Verts/ALE: Aaltonen, Auroi, Boumediene-Thiery, Breyer, Buitenweg, Celli, Cohn-Bendit, Dhaene, Echerer, Evans Jillian, Ferrández Lezaun, Flautre, Frassoni, Gahrton, Graefe zu Baringdorf, Isler Béguin, Jonckheer,

Wednesday 14 January 2004

Lagendijk, Lambert, Lannoye, Lipietz, Lucas, MacCormick, McKenna, Maes, Mayol i Raynal, Onesta, Piétrasanta, Rod, de Roo, Rühle, Schörling, Schroedter, Sörensen, Turmes, Wuori, Wyn

Abstention: 14

EDD: Booth, Titford

GUE/NGL: Blak

NI: Claeys, Dillen, Dupuis, de Gaulle, Gollnisch, Lang, Martinez, Stirbois

PPE-DE: Posselt, Radwan, Scallon

Bébéar report A5-0329/2003

Amendment 2

For: 85

EDD: Andersen, Bonde, Sandbæk

ELDR: André-Léonard, Nordmann

GUE/NGL: Ainardi, Alavanos, Bakopoulos, Bergaz Conesa, Blak, Boudjenah, Brie, Di Lello Finuoli, Fiebiger, Figueiredo, Frahm, Fraisse, Herzog, Jové Peres, Kaufmann, Koulourianos, Krivine, Manisco, Markov, Marset Campos, Meijer, Modrow, Patakis, Schmid Herman, Seppänen, Sjöstedt, Wurtz

NI: Borghezio, Claeys, Gobbo, Gorostiaga Atxalandabaso, Ilgenfritz, Kronberger, Paisley

PPE-DE: Cornillet, Costa Raffaele, Fernández Martín, Ferrer, Florenz, Suominen

PSE: Ceyhun, Marinho, Paasilinna, Swiebel

UEN: Camre

Verts/ALE: Aaltonen, Auroi, Boumediene-Thiery, Breyer, Buitenweg, Celli, Dhaene, Echerer, Evans Jillian, Ferrández Lezaun, Flautre, Gahrton, Graefe zu Baringdorf, Isler Béguin, Jonckheer, Lagendijk, Lambert, Lannoye, Lipietz, Lucas, MacCormick, McKenna, Maes, Mayol i Raynal, Onesta, Piétrasanta, Rod, de Roo, Rühle, Schörling, Schroedter, Sörensen, Turmes, Wuori, Wyn

Against: 371

EDD: Belder, Bernié, Blokland, Butel, van Dam, Esclopé, Mathieu, Saint-Josse

ELDR: Andreasen, Attwooll, Calò, Clegg, Costa Paolo, Davies, De Clercq, Di Pietro, Duff, Dybkjær, Flesch, Gasòliba i Böhm, Huhne, Jensen, Ludford, Lynne, Maaten, Malmström, Manders, Monsonís Domingo, Newton Dunn, Olsson, Paulsen, Pesälä, Plooij-van Gorsel, Pohjamo, Procacci, Ries, Riis-Jørgensen, Rutelli, Sbarbati, Schmidt, Sterckx, Sørensen, Thors, Väyrynen, Vallvé, Van Hecke, Vermeer, Virrankoski, Wallis

NI: Beysen, Cappato, Dillen, de Gaulle, Gollnisch, Lang, Martinez, Stirbois

PPE-DE: Almeida Garrett, Andria, Arvidsson, Atkins, Averoff, Avilés Perea, Ayuso González, Balfe, Banotti, Bartolozzi, Bastos, Bayona de Perogordo, Beazley, Bébéar, Berend, von Boetticher, Bourlanges, Bowis, Bradbourn, Bremmer, Brok, Callanan, Camisón Asensio, Cardoso, Cederschiöld, Chichester, Cocilovo, Coelho, Corrie, Daul, Deprez, Descamps, De Veyrac, Dimitrakopoulos, Dover, Doyle, Ebner, Elles, Fatuzzo, Ferri, Fiori, Folias, Foster, Fourtou, Gahler, Galeote Quecedo, García-Margallo y Marfil, García-Orcoyen Tormo, Gargani, Garriga Polledo, Gemelli, Gil-Robles Gil-Delgado, Glase, Gomolka, Goodwill, Gouveia, Graça Moura, Grönfeldt Bergman, Grosch, Grossetête, Hannan, Harbour, Hatzidakis, Heaton-Harris, Helmer, Hermange, Hernández Mollar, Herranz García, Hieronymi, Inglewood, Jackson, Jeggel, Karas, Kastler, Keppelhoff-Wiechert, Khanbhai, Kirkhope, Klamt, Klač, Koch, Konrad, Korhola, Kratsa-Tsagaropoulou, Langen, Laschet, Lechner, Lehne, Liese, Lisi, Lulling, Maat, McCartin, McMillan-Scott, Mann Thomas, Marinos, Marques, Martens, Matikainen-Kallström, Mauro, Mayer Hans-Peter, Mayer Xaver, Méndez de Vigo, Menrad, Mombaur, Morillon, Musotto, Naranjo Escobar, Nisticò, Oomen-Ruijten, Oreja Arburúa, Pacheco Pereira, Pack, Parish, Pastorelli, Pérez Álvarez, Perry, Pex, Pirker, Piscarreta, Podestà,

Wednesday 14 January 2004

Posselt, Pronk, Provan, Purvis, Quisthoudt-Rowohl, Radwan, Redondo Jiménez, Ripoll y Martínez de Bedoya, Rovsing, Rübig, Sacrédeus, Salafranca Sánchez-Neyra, Santer, Santini, Sartori, Scallon, Schaffner, Schierhuber, Schleicher, Schmitt, Schwaiger, Sommer, Stenmarck, Stenzel, Stevenson, Stockton, Sudre, Sumberg, Tajani, Tannock, Theato, Trakatellis, Twinn, Van Orden, Varela Suanzes-Carpegna, van Velzen, de Veyrinas, Vidal-Quadras Roca, Villiers, Vlasto, Wenzel-Perillo, Wijkman, von Wogau, Wuermeling, Zabell, Zacharakis, Zappalà, Zimmerling, Zissener

PSE: Andersson, Aparicio Sánchez, Baltas, Berenguer Fuster, Berès, van den Berg, Berger, Bösch, Bowe, Carlotti, Casaca, Cercas, Corbett, Corbey, Darras, Dehousse, De Keyser, De Rossa, Désir, Díez González, Dührkop Dührkop, Duhamel, Duin, El Khadraoui, Ettl, Evans Robert J.E., Färm, Fava, Ferreira, Ford, Fruteau, Garot, Gebhardt, Gill, Gillig, Glante, Goebbels, Görlach, Gröner, Guy-Quint, Hänsch, Haug, Hazan, Hedkvist Petersen, Honeyball, Howitt, Hughes, van Hulten, Iivari, Imbeni, Izquierdo Collado, Izquierdo Rojo, Jöns, Junker, Karamanou, Katiforis, Keßler, Kindermann, Kinnock, Koukiadis, Krehl, Kreissl-Dörfler, Kuhne, Lage, Lalumière, Lange, Lavarra, Leinen, Linkohr, Lund, McAvan, McCarthy, McNally, Malliori, Martin David W., Martin Hans-Peter, Martínez Martínez, Mastorakis, Medina Ortega, Menéndez del Valle, Miguélez Ramos, Miller, Miranda de Lage, Moraes, Müller, Myller, Napolitano, O'Toole, Paciotti, Pittella, Poignant, Poos, Prets, Rapkay, Read, Rocard, Rothe, Rothley, Roure, Ruffolo, Sacconi, Sakellariou, Sandberg-Fries, dos Santos, Sauquillo Pérez del Arco, Savary, Scheele, Schmid Gerhard, Schulz, Simpson, Skinner, Soares, Sornosa Martínez, Souladakis, Sousa Pinto, Stihler, Stockmann, Swoboda, Theorin, Thorning-Schmidt, Titley, Torres Marques, Vairinhos, Van Lancker, Volcic, Walter, Watts, Weiler, Whitehead, Wiersma, Wynn, Zorba, Zrihen

UEN: Andrews, Berlato, Bigliardo, Crowley, Fitzsimons, Marchiani, Muscardini, Mussa, Musumeci, Nobilia, Ó Neachtain, Poli Bortone

Abstention: 12

EDD: Abitbol, Booth, Coûteaux, Titford

GUE/NGL: Bordes, Cauquil, Laguiller

NI: Berthu, de La Perriere, Souchet

UEN: Ribeiro e Castro, Thomas-Mauro

Bébéar report A5-0329/2003**Amendment 4****For: 96**

EDD: Abitbol, Andersen, Bernié, Bonde, Butel, Coûteaux, Esclopé, Mathieu, Saint-Josse, Sandbæk

GUE/NGL: Ainardi, Alavanos, Bakopoulos, Bergaz Conesa, Blak, Bordes, Boudjenah, Brie, Caudron, Cauquil, Di Lello Finuoli, Fiebiger, Figueiredo, Frahm, Fraise, Herzog, Jové Peres, Kaufmann, Koulourianos, Krivine, Laguiller, Manisco, Markov, Marset Campos, Meijer, Modrow, Patakis, Schmid Herman, Seppänen, Sjöstedt, Vachetta, Wurtz

NI: Berthu, Gorostiaga Atxalandabaso, Kronberger, de La Perriere, Souchet

PPE-DE: Korhola

PSE: Dehousse, Ferreira, Marinho, Paasilinna

UEN: Berlato, Bigliardo, Camre, Mussa, Musumeci, Nobilia, Pasqua, Poli Bortone, Ribeiro e Castro, Thomas-Mauro

Verts/ALE: Aaltonen, Auroi, Boumediene-Thiery, Breyer, Buitenweg, Celli, Echerer, Evans Jillian, Ferrández Lezaun, Flautre, Gahrton, Graefe zu Baringdorf, Isler Béguin, Jonckheer, Legendijk, Lambert, Lannoye, Lipietz, Lucas, MacCormick, McKenna, Maes, Mayol i Raynal, Onesta, Piétrasanta, Rod, de Roo, Rühle, Schörling, Schroedter, Sörensen, Turmes, Wuori, Wyn

Wednesday 14 January 2004

Against: 364**EDD:** Belder, Blokland, Booth, van Dam, Titford**ELDR:** Andreasen, André-Léonard, Attwooll, Busk, Calò, Clegg, Costa Paolo, Davies, De Clercq, Di Pietro, Duff, Fleisch, Gasòliba i Böhm, Huhne, Jensen, Ludford, Lynne, Maaten, Malmström, Manders, Monsonís Domingo, Newton Dunn, Nordmann, Olsson, Paulsen, Pesälä, Plooi-j-van Gorsel, Pohjamo, Procacci, Ries, Riis-Jørgensen, Rutelli, Sbarbati, Schmidt, Sterckx, Sørensen, Thors, Väyrynen, Vallvé, Van Hecke, Vermeer, Virrankoski, Wallis**NI:** Beysen, Cappato, Ilgenfritz, Paisley**PPE-DE:** Almeida Garrett, Andria, Arvidsson, Atkins, Averoff, Avilés Perea, Ayuso González, Balfe, Banotti, Bartolozzi, Bastos, Bayona de Perogordo, Beazley, Bébéar, Berend, von Boetticher, Bourlanges, Bowis, Bradbourn, Bremmer, Brok, Camisón Asensio, Cardoso, Cederschiöld, Chichester, Cocilovo, Coelho, Cornillet, Corrie, Costa Raffaele, Daul, Deprez, Descamps, De Veyrac, Dimitrakopoulos, Dover, Doyle, Ebner, Elles, Fatuzzo, Fernández Martín, Ferrer, Ferri, Fiori, Florenz, Folias, Foster, Fourtou, Gahler, Galeote Quecedo, García-Margallo y Marfil, Gargani, Garriga Polledo, Gemelli, Gil-Robles Gil-Delgado, Glase, Gomolka, Goodwill, Gouveia, Graça Moura, Grönfeldt Bergman, Grosch, Grossetête, Hannan, Harbour, Hatzidakis, Heaton-Harris, Helmer, Hermange, Hernández Mollar, Herranz García, Hieronymi, Inglewood, Jackson, Jeggel, Karas, Kastler, Keppelhoff-Wiechert, Khanbhai, Kirkhope, Klamt, Klaß, Koch, Konrad, Kratsa-Tsagaropoulou, Langen, Laschet, Lechner, Lehne, Liese, Lisi, Lulling, Maat, McCartin, McMillan-Scott, Mann Thomas, Marinos, Marques, Martens, Matikainen-Kallström, Mauro, Mayer Hans-Peter, Mayer Xaver, Méndez de Vigo, Menrad, Mombaur, Morillon, Musotto, Naranjo Escobar, Nisticò, Oomen-Ruijten, Oreja Arburúa, Pacheco Pereira, Pack, Parish, Pastorelli, Pérez Álvarez, Perry, Pex, Pirker, Piscarreta, Podestà, Posselt, Pronk, Provan, Purvis, Quisthoudt-Rowohl, Radwan, Redondo Jiménez, Ripoll y Martínez de Bedoya, Røvsing, Rübig, Sacrédeus, Salafranca Sánchez-Neyra, Santer, Santini, Sartori, Scallon, Schaffner, Schierhuber, Schleicher, Schmitt, Schwaiger, Smet, Sommer, Stenmarck, Stenzel, Stevenson, Stockton, Sudre, Sumberg, Suominen, Tajani, Tannock, Theato, Trakatellis, Twinn, Van Orden, Varela Suanzes-Carpegna, van Velzen, de Veyrinas, Vidal-Quadras Roca, Villiers, Vlasto, Wenzel-Perillo, Wijkman, von Wogau, Wuermeling, Zabell, Zacharakis, Zappalà, Zimmerling, Zissener**PSE:** Andersson, Aparicio Sánchez, Baltas, Berenguer Fuster, Berès, van den Berg, Berger, Bösch, Bowe, Bullmann, Carlotti, Casaca, Cercas, Ceyhun, Corbett, Corbey, Darras, De Keyser, De Rossa, Désir, Díez González, Dührkop Dührkop, Duhamel, Duin, El Khadraoui, Ettl, Evans Robert J.E., Färm, Fava, Ford, Fruteau, Garot, Gebhardt, Gill, Gillig, Glante, Goebbels, Görlach, Gröner, Guy-Quint, Hänsch, Haug, Hazan, Hedkvist Petersen, Honeyball, Howitt, Hughes, van Hulten, Iivari, Imbeni, Izquierdo Collado, Izquierdo Rojo, Jöns, Junker, Karamanou, Katiforis, Keßler, Kindermann, Kinnock, Koukiadis, Krehl, Kreissl-Dörfler, Kuhne, Lage, Lalumière, Lange, Lavarra, Leinen, Linkohr, Lund, McAvan, McCarthy, McNally, Malliori, Mann Erika, Martin David W., Martínez Martínez, Mastorakis, Medina Ortega, Menéndez del Valle, Miguélez Ramos, Miller, Miranda de Lage, Moraes, Müller, Myller, Napoletano, O'Toole, Paciotti, Piecyk, Pittella, Poignant, Poos, Prets, Read, Rocard, Rothe, Rothley, Roure, Ruffolo, Sacconi, Sakellariou, Sandberg-Fries, dos Santos, Sauquillo Pérez del Arco, Savary, Scheele, Schmid Gerhard, Schulz, Simpson, Skinner, Soares, Souladakis, Sousa Pinto, Stihler, Stockmann, Swiebel, Swoboda, Theorin, Thorning-Schmidt, Titley, Torres Marques, Vairinhos, Van Lancker, Volcic, Walter, Watts, Weiler, Whitehead, Wiersma, Wynn, Zorba, Zrihen**UEN:** Andrews, Collins, Crowley, Fitzsimons, Marchiani, Ó Neachtain**Abstention: 10****ELDR:** Dybkjær**NI:** Borghezio, Claeys, Dillen, de Gaulle, Gobbo, Gollnisch, Lang, Martinez, Stirbois**Prets report A5-0477/2003****Amendment 4****For: 193****EDD:** Bernié, Butel, Esclopé, Mathieu, Saint-Josse

Wednesday 14 January 2004

GUE/NGL: Ainardi, Alavanos, Bakopoulos, Bergaz Conesa, Blak, Bordes, Boudjenah, Brie, Caudron, Cauquil, Di Lello Finuoli, Fiebiger, Figueiredo, Frahm, Fraisse, Herzog, Jové Peres, Kaufmann, Koulourianos, Krivine, Laguiller, Manisco, Markov, Marsset Campos, Meijer, Modrow, Schmid Herman, Seppänen, Sjöstedt, Vachetta, Wurtz

NI: Gorostiaga Atxalandabaso

PPE-DE: Costa Raffaele, De Veyrac, Grossetête, Hieronymi, Morillon, Sudre, Vlasto

PSE: Andersson, Aparicio Sánchez, Baltas, Berenguer Fuster, Berès, van den Berg, Berger, Bösch, Bullmann, Carlotti, Casaca, Cercas, Ceyhun, Corbey, Darras, Dehousse, De Keyser, De Rossa, Désir, Díez González, Dührkop Dührkop, Duhamel, Duin, El Khadraoui, Ettl, Färm, Fava, Ferreira, Fruteau, Garot, Gebhardt, Gillig, Glante, Goebbels, Görlach, Gröner, Guy-Quint, Hänisch, Haug, Hazan, Hedkvist Petersen, van Hulten, Iivari, Imbeni, Izquierdo Collado, Izquierdo Rojo, Jöns, Junker, Karamanou, Katiforis, Kefler, Kindermann, Koukiadis, Krehl, Kreissl-Dörfler, Kuhne, Lage, Lalumière, Lange, Lavarra, Leinen, Linkohr, Lund, McAvan, Malliori, Mann Erika, Marinho, Martin Hans-Peter, Martínez Martínez, Mastorakis, Medina Ortega, Mendiluce Pereiro, Menéndez del Valle, Miguélez Ramos, Miranda de Lage, Müller, Myller, Napoletano, Paasilinna, Paciotti, Piecyk, Poignant, Poos, Prets, Rapkay, Rocard, Rothe, Rothley, Roure, Ruffolo, Sacconi, Sakellariou, Sandberg-Fries, dos Santos, Sauquillo Pérez del Arco, Savary, Scheele, Schmid Gerhard, Schulz, Skinner, Soares, Sornosa Martínez, Souladakis, Sousa Pinto, Stockmann, Swibel, Swoboda, Theorin, Thorning-Schmidt, Titley, Torres Marques, Vairinhos, Van Lancker, Walter, Weiler, Wiersma, Zorba, Zrihen

UEN: Collins, Fitzsimons, Ó Neachtain

Verts/ALE: Aaltonen, Breyer, Buitenweg, Celli, Dhaene, Echerer, Evans Jillian, Ferrández Lezaun, Flautre, Gahrton, Isler Béguin, Jonckheer, Lagendijk, Lambert, Lucas, MacCormick, McKenna, Maes, Mayol i Raynal, Onesta, de Roo, Rühle, Schörling, Schroedter, Sörensen, Turmes, Wuori, Wyn

Against: 238

EDD: Abitbol, Belder, Blokland, van Dam

ELDR: Andreasen, André-Léonard, Attwooll, Busk, Clegg, Costa Paolo, Davies, De Clercq, Di Pietro, Duff, Dybkjær, Fleisch, Gasóliba i Böhm, Huhne, Jensen, Ludford, Lynne, Maaten, Malmström, Manders, Monsonís Domingo, Newton Dunn, Nordmann, Olsson, Paulsen, Pesälä, Plooij-van Gorsel, Pohjamo, Procacci, Ries, Riis-Jørgensen, Rutelli, Schmidt, Sterckx, Sørensen, Thors, Vallvé, Van Hecke, Vermeer, Virrankoski, Wallis

NI: Berthu, Beysen, Cappato, de La Perriere, Paisley

PPE-DE: Almeida Garrett, Andria, Arvidsson, Atkins, Averoff, Avilés Perea, Ayuso González, Balfé, Banotti, Bartolozzi, Bastos, Bayona de Perogordo, Beazley, Bébéar, Berend, von Boetticher, Bowis, Bradbourn, Bremmer, Brok, Callanan, Camisón Asensio, Cardoso, Chichester, Cocilovo, Coelho, Cornillet, Corrie, Daul, Deprez, Descamps, Dimitrakopoulos, Dover, Doyle, Ebner, Elles, Fatuzzo, Fernández Martín, Ferrer, Ferri, Fiori, Florenz, Foliás, Fourtou, Gahler, Galeote Quecedo, García-Margallo y Marfil, Gargani, Garriga Polledo, Gemelli, Gil-Robles Gil-Delgado, Glase, Gomolka, Goodwill, Gouveia, Graça Moura, Grönfeldt Bergman, Grosch, Hannan, Harbour, Heaton-Harris, Hermange, Hernández Mollar, Herranz García, Inglewood, Jackson, Jeggle, Karas, Kastler, Keppelhoff-Wiechert, Khanbhai, Kirkhope, Klamt, Klauf, Koch, Konrad, Kratsa-Tsagaropoulou, Langen, Laschet, Lechner, Lehne, Liese, Lisi, Lulling, Maat, McCartin, McMillan-Scott, Mann Thomas, Marinos, Marques, Martens, Matikainen-Kallström, Mauro, Mayer Hans-Peter, Mayer Xaver, Méndez de Vigo, Menrad, Mombaur, Musotto, Naranjo Escobar, Nisticò, Oomen-Ruijten, Oreja Arburúa, Pacheco Pereira, Pack, Parish, Pastorelli, Pérez Álvarez, Perry, Pex, Pirker, Piscarreta, Podestà, Posselt, Pronk, Provan, Purvis, Quisthoudt-Rowohl, Radwan, Redondo Jiménez, Ripoll y Martínez de Bedoya, Rovsing, Rübige, Sacrédeus, Salafranca Sánchez-Neyra, Santer, Santini, Sartori, Scallon, Schierhuber, Schleicher, Schmitt, Schwaiger, Smet, Sommer, Stenmarck, Stevenson, Stockton, Sumberg, Suominen, Tajani, Tannock, Theato, Trakatellis, Twinn, Van Orden, Varela Suanzes-Carpegna, van Velzen, Vidal-Quadras Roca, Villiers, Wenzel-Perillo, Wijkman, von Wogau, Wiermeling, Zabell, Zacharakis, Zappalà, Zimmerling, Zissener

PSE: Bowe, Corbett, Evans Robert J.E., Honeyball, Howitt, Hughes, Kinnock, McNally, Martin David W., Miller, Moraes, O'Toole, Pittella, Read, Simpson, Stihler, Volcic, Watts, Whitehead, Wynn

UEN: Bigliardo, Camre, Marchiani, Mussa, Nobilia, Pasqua, Poli Bortone, Ribeiro e Castro, Thomas-Mauro

Wednesday 14 January 2004

Abstention: 18**EDD:** Andersen, Bonde, Booth, Coûteaux, Sandbæk, Titford**NI:** Borghezio, Claeys, Dillen, de Gaulle, Gobbo, Gollnisch, Kronberger, Lang, Martinez, Souchet, Stirbois**PSE:** McCarthy**Prets report A5-0477/2003****Amendment 3****For: 82****ELDR:** Andreassen, André-Léonard, Attwooll, Busk, Calò, Clegg, Costa Paolo, Davies, De Clercq, Di Pietro, Duff, Dybkjær, Flesch, Gasòliba i Böhm, Huhne, Jensen, Ludford, Lynne, Maaten, Malmström, Manders, Monsonís Domingo, Newton Dunn, Olsson, Paulsen, Pesälä, Plooij-van Gorsel, Pohjamo, Procacci, Ries, Riis-Jørgensen, Rutelli, Sbarbati, Schmidt, Sterckx, Sørensen, Thors, Vallvé, Van Hecke, Vermeer, Virrankoski, Wallis**NI:** Berthu, Borghezio, Cappato, Gobbo, Gorostiaga Atxalandabaso, de La Perriere**PPE-DE:** Atkins, Balfé, Beazley, Bowis, Bradbourn, Callanan, Chichester, Corrie, Dover, Elles, Goodwill, Hannan, Heaton-Harris, Inglewood, Khanbhai, Kirkhope, McMillan-Scott, Marques, Parish, Perry, Provan, Purvis, Scallon, Stevenson, Stockton, Sumberg, Twinn, Van Orden**PSE:** Aparicio Sánchez, Marinho**Verts/ALE:** Isler Béguin, Lannoye, Onesta, Turmes**Against: 366****EDD:** Abitbol, Andersen, Belder, Bernié, Blokland, Bonde, Booth, Butel, van Dam, Esclopé, Mathieu, Saint-Josse, Sandbæk, Titford**GUE/NGL:** Ainardi, Alavanos, Bakopoulos, Bergaz Conesa, Blak, Boudjenah, Brie, Caudron, Di Lello Finuoli, Fiebiger, Figueiredo, Frahm, Fraisse, Herzog, Jové Peres, Kaufmann, Koulourianos, Krivine, Manisco, Markov, Marset Campos, Meijer, Modrow, Patakis, Schmid Herman, Seppänen, Sjöstedt, Vachetta, Wurtz**NI:** Beysen, de Gaulle, Gollnisch, Ilgenfritz, Kronberger, Lang, Martinez, Stirbois**PPE-DE:** Almeida Garrett, Andria, Arvidsson, Averoff, Avilés Perea, Ayuso González, Banotti, Bartolozzi, Bastos, Bayona de Perogordo, Bébéar, Berend, von Boetticher, Bremmer, Brok, Camisón Asensio, Cardoso, Cederschiöld, Coelho, Cornillet, Costa Raffaele, Daul, Deprez, Descamps, De Veyrac, Dimitrakopoulos, Doyle, Ebner, Fatuzzo, Fernández Martín, Ferrer, Ferri, Fiori, Florenz, Foliás, Fourtou, Gahler, Galeote Quecedo, García-Margallo y Marfil, García-Orcoyen Tormo, Gargani, Garriga Polledo, Gemelli, Gil-Robles Gil-Delgado, Glase, Gomolka, Gouveia, Graça Moura, Grönfeldt Bergman, Grossetête, Harbour, Helmer, Hermange, Hernández Mollar, Herranz García, Hieronymi, Jackson, Jeggle, Karas, Keppelhoff-Wiechert, Klamt, Klač, Koch, Konrad, Kratsa-Tsagaropoulou, Langen, Lechner, Lehne, Liese, Lisi, Lulling, Maat, McCartin, Mann Thomas, Marinos, Martens, Matikainen-Kallström, Mauro, Mayer Hans-Peter, Mayer Xaver, Méndez de Vigo, Menrad, Mombaur, Morillon, Musotto, Naranjo Escobar, Nisticò, Oomen-Ruijten, Oreja Arburúa, Pacheco Pereira, Pack, Pastorelli, Pérez Álvarez, Pex, Pirker, Píscarreta, Podestà, Posselt, Pronk, Radwan, Redondo Jiménez, Ripoll y Martínez de Bedoya, Rovsing, Rübig, Sacrédeus, Salafrañca Sánchez-Neyra, Santer, Santini, Sartori, Schaffner, Schierhuber, Schleicher, Schmitt, Smet, Stenmarck, Stenzel, Sudre, Suominen, Tajani, Tannock, Theato, Trakatellis, Varela Suanzes-Carpegna, van Velzen, de Veyrinas, Vidal-Quadras Roca, Villiers, Vlasto, Wenzel-Perillo, Wijkman, von Wogau, Wuermeling, Zabell, Zacharakis, Zappalà, Zimmerling, Zissener**PSE:** Andersson, Baltas, Berenguer Fuster, Berès, van den Berg, Berger, Bösch, Bowe, Bullmann, Carlotti, Casaca, Cercas, Ceyhun, Corbett, Corbey, Darras, Dehousse, De Keyser, De Rossa, Désir, Díez González, Dührkop Dührkop, Duhamel, Duin, El Khadraoui, Ettl, Evans Robert J.E., Färm, Fava, Ferreira, Ford, Fruteau, Garot, Gebhardt, Gill, Gillig, Glante, Goebbels, Görlach, Gröner, Guy-Quint, Hänsch, Haug, Hazan, Hedkvist Petersen, Honeyball, Howitt, Hughes, van Hulten, Iivari, Imbeni, Izquierdo Collado,

Wednesday 14 January 2004

Izquierdo Rojo, Jöns, Junker, Karamanou, Katiforis, Keßler, Kindermann, Kinnoek, Koukiadis, Krehl, Kreissl-Dörfler, Kuhne, Lage, Lalumière, Lange, Leinen, Linkohr, Lund, McAvan, McCarthy, McNally, Malliori, Mann Erika, Martin David W., Martin Hans-Peter, Martínez Martínez, Mastorakis, Medina Ortega, Mendiluce Pereiro, Menéndez del Valle, Miguélez Ramos, Miller, Miranda de Lage, Moraes, Müller, Myller, Napoletano, O'Toole, Paasilinna, Paciotti, Piecyk, Pittella, Poignant, Poos, Prets, Rapkay, Read, Rocard, Rothe, Rothley, Roure, Ruffolo, Sacconi, Sakellariou, Sandberg-Fries, dos Santos, Sauquillo Pérez del Arco, Savary, Scheele, Schmid Gerhard, Simpson, Skinner, Soares, Souladakis, Sousa Pinto, Stihler, Stockmann, Swiebel, Swoboda, Theorin, Thorning-Schmidt, Titley, Torres Marques, Vairinhos, Van Lancker, Volcic, Walter, Watts, Weiler, Whitehead, Wiersma, Wynn, Zorba, Zrihen

UEN: Berlato, Bigliardo, Camre, Collins, Crowley, Fitzsimons, Marchiani, Muscardini, Mussa, Nobilia, Ó Neachtain, Pasqua, Poli Bortone, Ribeiro e Castro, Thomas-Mauro

Verts/ALE: Aaltonen, Boumediene-Thiery, Breyer, Buitenweg, Celli, Dhaene, Echerer, Evans Jillian, Ferrández Lezaun, Flautre, Gahrton, Jonckheer, Lagendijk, Lambert, Lucas, MacCormick, McKenna, Maes, Mayol i Raynal, Rod, de Roo, Rühle, Schörling, Schroedter, Sörensen, Wuori, Wynn

Abstention: 4

GUE/NGL: Bordes, Cauquil, Laguiller

NI: Souchet

Prets report A5-0477/2003

Amendment 5

For: 248

EDD: Andersen, Bonde, Sandbæk

ELDR: Andreasen, André-Léonard, Attwooll, Busk, Calò, Clegg, Costa Paolo, Davies, De Clercq, Duff, Dybkjær, Flesch, Gasòliba i Böhm, Huhne, Jensen, Ludford, Lynne, Maaten, Malmström, Manders, Monsonís Domingo, Newton Dunn, Nordmann, Olsson, Paulsen, Pesälä, Plooij-van Gorsel, Pohjamo, Procacci, Ries, Riis-Jørgensen, Rutelli, Schmidt, Sterckx, Sørensen, Thors, Vallvé, Van Hecke, Vermeer, Virrankoski, Wallis

GUE/NGL: Ainardi, Alavanos, Bakopoulos, Bergaz Conesa, Blak, Bordes, Boudjenah, Brie, Caudron, Cauquil, Di Lello Finuoli, Fiebiger, Figueiredo, Frahm, Fraisse, Herzog, Jové Peres, Kaufmann, Koulourianos, Krivine, Laguiller, Manisco, Markov, Marset Campos, Meijer, Modrow, Seppänen, Vachetta, Wurtz

NI: Cappato, de Gaulle, Gollnisch, Gorostiaga Atxalandabaso, Kronberger, Lang, Martinez, Stirbois

PPE-DE: Pastorelli

PSE: Andersson, Aparicio Sánchez, Baltas, Berenguer Fuster, Berès, van den Berg, Berger, Bösch, Bowe, Bullmann, Carlotti, Casaca, Cercas, Ceyhun, Corbett, Darras, Dehousse, De Keyser, De Rossa, Désir, Díez González, Dührkop Dührkop, Duhamel, El Khadraoui, Ettl, Evans Robert J.E., Färm, Fava, Ferreira, Ford, Fruteau, Garot, Gebhardt, Gill, Gillig, Glante, Goebbels, Görlach, Gröner, Guy-Quint, Hänsch, Haug, Hazan, Hedkvist Petersen, Honeyball, Howitt, Hughes, van Hulten, Iivari, Imbeni, Izquierdo Collado, Izquierdo Rojo, Jöns, Junker, Karamanou, Katiforis, Kindermann, Kinnoek, Koukiadis, Krehl, Kreissl-Dörfler, Kuhne, Lage, Lalumière, Leinen, Linkohr, Lund, McAvan, McCarthy, McNally, Malliori, Mann Erika, Marinho, Martin David W., Martin Hans-Peter, Martínez Martínez, Mastorakis, Medina Ortega, Mendiluce Pereiro, Menéndez del Valle, Miguélez Ramos, Miller, Miranda de Lage, Moraes, Müller, Myller, O'Toole, Paasilinna, Paciotti, Piecyk, Pittella, Poignant, Poos, Prets, Rapkay, Read, Rocard, Rothe, Rothley, Roure, Ruffolo, Sacconi, Sakellariou, Sandberg-Fries, dos Santos, Sauquillo Pérez del Arco, Savary, Scheele, Schmid Gerhard, Simpson, Skinner, Soares, Sornosa Martínez, Souladakis, Sousa Pinto, Stihler, Stockmann, Swiebel, Swoboda, Theorin, Thorning-Schmidt, Titley, Torres Marques, Vairinhos, Van Lancker, Volcic, Walter, Watts, Whitehead, Wiersma, Wynn, Zorba, Zrihen

UEN: Bigliardo

Wednesday 14 January 2004

Verts/ALE: Aaltonen, Boumediene-Thiery, Breyer, Buitenweg, Celli, Dhaene, Echerer, Evans Jillian, Ferrández Lezaun, Flautre, Frassoni, Gahrton, Graefe zu Baringdorf, Isler Béguin, Lagendijk, Lambert, Lannoye, Lucas, MacCormick, McKenna, Maes, Mayol i Raynal, Onesta, Rod, de Roo, Rühle, Schörling, Schroedter, Sörensen, Turmes, Wuori, Wyn

Against: 192

EDD: Abitbol, Belder, Blokland, Booth, van Dam, Titford

NI: Berthu, Beysen, Ilgenfritz, de La Perriere

PPE-DE: Almeida Garrett, Andria, Arvidsson, Atkins, Averoff, Avilés Perea, Ayuso González, Balfé, Banotti, Bartolozzi, Bastos, Bayona de Perogordo, Beazley, Bébéar, Berend, von Boetticher, Bourlanges, Bowis, Bradbourn, Bremmer, Brok, Callanan, Camisón Asensio, Cardoso, Chichester, Cocilovo, Coelho, Cornillet, Corrie, Costa Raffaele, Daul, Deprez, Descamps, De Veyrac, Dover, Doyle, Ebner, Elles, Fatuzzo, Fernández Martín, Ferrer, Ferri, Fiori, Folias, Foster, Fourtou, Gahler, Galeote Quecedo, García-Margallo y Marfil, García-Orcoyen Tormo, Gargani, Garriga Polledo, Gemelli, Gil-Robles Gil-Delgado, Glase, Gomolka, Goodwill, Gouveia, Graça Moura, Grönfeldt Bergman, Grosch, Grossetête, Hannan, Harbour, Heaton-Harris, Helmer, Hermange, Hernández Mollar, Herranz García, Hieronymi, Inglewood, Jackson, Jeggle, Karas, Kastler, Keppelhoff-Wiechert, Khanbhai, Kirkhope, Klamt, Klaß, Koch, Konrad, Kratsa-Tsagaropoulou, Langen, Laschet, Lechner, Lehne, Liese, Lisi, Lulling, Maat, McCartin, McMillan-Scott, Mann Thomas, Marinos, Marques, Martens, Matikainen-Kallström, Mauro, Mayer Hans-Peter, Mayer Xaver, Méndez de Vigo, Menrad, Mombaur, Morillon, Musotto, Naranjo Escobar, Nisticò, Oomen-Ruijten, Oreja Arburúa, Pacheco Pereira, Pack, Parish, Pérez Álvarez, Perry, Pex, Pirker, Piscarreta, Podestà, Posselt, Pronk, Provan, Purvis, Radwan, Redondo Jiménez, Ripoll y Martínez de Bedoya, Røvsing, Rübzig, Sacrédeus, Salafranca Sánchez-Neyra, Santer, Santini, Sartori, Scallon, Schaffner, Schierhuber, Schleicher, Schmitt, Schwaiger, Sommer, Stenmarck, Stenzel, Stevenson, Stockton, Sudre, Sumberg, Suominen, Tajani, Tannock, Theato, Trakatellis, Twinn, Van Orden, Varela Suanzes-Carpegna, van Velzen, de Veyrinas, Vidal-Quadras Roca, Villiers, Vlasto, Wenzel-Perillo, Wijkman, von Wogau, Wuermeling, Zabell, Zacharakis, Zappalà, Zimmerling, Zissener

UEN: Berlatto, Camre, Collins, Crowley, Fitzsimons, Marchiani, Muscardini, Mussa, Nobilia, Ó Neachtain, Pasqua, Poli Bortone, Ribeiro e Castro, Thomas-Mauro

Abstention: 12

EDD: Bernié, Butel, Coûteaux, Esclopé, Mathieu, Saint-Josse

GUE/NGL: Patakis

NI: Borghezio, Claeys, Dillen, Gobbo, Souchet

Prets report A5-0477/2003

Resolution

For: 369

EDD: Bernié, Butel, Esclopé, Mathieu, Saint-Josse

ELDR: Andreasen, André-Léonard, Attwooll, Busk, Calò, Clegg, Costa Paolo, Davies, De Clercq, Di Pietro, Duff, Dybkjær, Fleisch, Gasòliba i Böhm, Huhne, Jensen, Ludford, Lynne, Maaten, Malmström, Manders, Monsonís Domingo, Newton Dunn, Nordmann, Olsson, Paulsen, Pesälä, Pohjamo, Procacci, Ries, Riis-Jørgensen, Rutelli, Sbarbati, Schmidt, Sterckx, Sørensen, Thors, Vallvé, Van Hecke, Vermeer, Virrankoski, Wallis

GUE/NGL: Ainardi, Alavanos, Bakopoulos, Bergaz Conesa, Blak, Bordes, Boudjenah, Brie, Caudron, Cauquil, Di Lello Finuoli, Fiebiger, Figueiredo, Frahm, Fraise, Herzog, Jové Peres, Kaufmann, Krivine, Laguiller, Manisco, Markov, Maset Campos, Meijer, Modrow, Schmid Herman, Seppänen, Sjöstedt, Vachetta, Wurtz

NI: Beysen, Borghezio, Gobbo, Gorostiaga Atxalandabaso, Ilgenfritz, Kronberger, Paisley

Wednesday 14 January 2004

PPE-DE: Almeida Garrett, Andria, Averoff, Avilés Perea, Ayuso González, Banotti, Bartolozzi, Bayona de Perogordo, Bébéar, Berend, von Boetticher, Bourlanges, Bremmer, Brok, Camisón Asensio, Cocilovo, Costa Raffaele, Daul, Deprez, Descamps, De Veyrac, Dimitrakopoulos, Doyle, Ebner, Fatuzzo, Fernández Martín, Ferrer, Ferri, Fiori, Florenz, Folias, Fourtou, Gahler, Galeote Quecedo, García-Margallo y Marfil, García-Orcoyen Tormo, Gargani, Garriga Polledo, Gemelli, Gil-Robles Gil-Delgado, Glase, Gomolka, Gouveia, Grosch, Grossetête, Hermange, Hernández Mollar, Herranz García, Hieronymi, Jeggle, Karas, Keppelhoff-Wiechert, Klamt, Klauf, Koch, Kratsa-Tsagaropoulou, Langen, Laschet, Lechner, Lehne, Liese, Lisi, Lulling, Maat, McCartin, Mann Thomas, Marinos, Martens, Matikainen-Kallström, Mauro, Mayer Hans-Peter, Mayer Xaver, Méndez de Vigo, Menrad, Mombaur, Morillon, Musotto, Naranjo Escobar, Nisticò, Oomen-Ruijten, Oreja Arburúa, Pacheco Pereira, Pack, Pastorelli, Pérez Álvarez, Pex, Pirker, Píscarreta, Podestà, Posselt, Pronk, Quisthoudt-Rowohl, Radwan, Redondo Jiménez, Ripoll y Martínez de Bedoya, Røvsing, Rübig, Sacrédeus, Salafranca Sánchez-Neyra, Santer, Santini, Sartori, Schaffner, Schierhuber, Schmitt, Schwaiger, Sommer, Stenzel, Sudre, Suominen, Tajani, Theato, Trakatellis, Varela Suanzes-Carpegna, van Velzen, de Veyrinas, Vidal-Quadras Roca, Villiers, Vlasto, Wenzel-Perillo, Wijkman, von Wogau, Wiermeling, Zabell, Zacharakis, Zappalà, Zimmerling, Zissener

PSE: Andersson, Baltas, Berenguer Fuster, Berès, van den Berg, Berger, Bösch, Bullmann, Carlotti, Casaca, Cercas, Ceyhun, Corbey, Darras, Dehousse, De Keyser, De Rossa, Désir, Díez González, Dührkop Dührkop, Duhamel, Duin, El Khadraoui, Ettl, Färm, Fava, Ferreira, Fruteau, Garot, Gebhardt, Gillig, Glante, Goebbels, Görlach, Gröner, Guy-Quint, Hänsch, Haug, Hazan, Hedkvist Petersen, van Hulten, Iivari, Imbeni, Izquierdo Collado, Izquierdo Rojo, Jöns, Junker, Karamanou, Katiforis, Keßler, Kindermann, Koukiadis, Krehl, Kreissl-Dörfler, Kuhne, Lage, Lalumière, Lange, Lavarra, Leinen, Lund, Malliori, Mann Erika, Marinho, Martin David W., Martin Hans-Peter, Martínez Martínez, Mastorakis, Medina Ortega, Mendiluce Pereiro, Menéndez del Valle, Miguélez Ramos, Miranda de Lage, Moraes, Müller, Myller, Napoletano, Paasilinna, Paciotti, Piecyk, Pittella, Poignant, Poos, Prets, Rapkay, Rocard, Rothe, Rothley, Roure, Ruffolo, Sacconi, Sakellariou, Sandberg-Fries, dos Santos, Sauquillo Pérez del Arco, Savary, Scheele, Schmid Gerhard, Soares, Sornosa Martínez, Souladakis, Sousa Pinto, Stockmann, Swiebel, Swoboda, Theorin, Thorning-Schmidt, Titley, Torres Marques, Vairinhos, Van Lancker, Walter, Weiler, Wiersma, Zorba, Zrihen

UEN: Bigliardo, Collins, Crowley, Muscardini, Mussa, Nobilia, Ó Neachtain, Poli Bortone, Ribeiro e Castro

Verts/ALE: Aaltonen, Boumediene-Thiery, Breyer, Buitenweg, Celli, Dhaene, Echerer, Evans Jillian, Ferrández Lezaun, Flautre, Frassoni, Gahrton, Graefe zu Baringdorf, Isler Béguin, Jonckheer, Lagendijk, Lambert, Lannoye, Lucas, MacCormick, McKenna, Mayol i Raynal, Onesta, Rod, de Roo, Rühle, Schörling, Schroedter, Sörensen, Turmes, Wuori, Wyn

Against: 15

EDD: Belder, Blokland, Booth, van Dam, Titford

NI: Cappato

PPE-DE: Arvidsson, Cederschiöld, Graça Moura, Grönfeldt Bergman, Stenmarck

UEN: Camre, Marchiani, Pasqua, Thomas-Mauro

Abstention: 68

EDD: Abitbol, Andersen, Bonde, Coûteaux, Sandbæk

GUE/NGL: Patakis

NI: Berthu, Claeys, Dillen, Gollnisch, Lang, de La Perriere, Martinez, Souchet, Stirbois

PPE-DE: Atkins, Balfe, Beazley, Bowis, Bradbourn, Callanan, Chichester, Corrie, Dover, Elles, Foster, Goodwill, Hannan, Harbour, Heaton-Harris, Helmer, Inglewood, Jackson, Kirkhope, McMillan-Scott, Parish, Provan, Purvis, Scallon, Stevenson, Stockton, Sumberg, Tannock, Twinn, Van Orden

PSE: Aparicio Sánchez, Bowe, Corbett, Evans Robert J.E., Ford, Gill, Honeyball, Howitt, Hughes, Kinnock, McAvan, McCarthy, McNally, Miller, O'Toole, Read, Simpson, Skinner, Stihler, Watts, Whitehead, Wynn

UEN: Berlato

Wednesday 14 January 2004

Swiebel report A5-0481/2003**Paragraph 11, 2nd part****For: 359****EDD:** Andersen, Bernié, Butel, Esclopé, Mathieu, Saint-Josse, Sandbæk**ELDR:** André-Léonard, Attwooll, Calò, Clegg, Costa Paolo, Davies, De Clercq, Di Pietro, Duff, Dybkjær, Flesch, Gasòliba i Böhm, Lynne, Maaten, Malmström, Monsonís Domingo, Newton Dunn, Nordmann, Olsson, Paulsen, Pesälä, Pohjamo, Procacci, Ries, Rutelli, Schmidt, Sterckx, Vallvé, Van Hecke, Vermeer, Virrankoski, Wallis**GUE/NGL:** Ainardi, Alavanos, Bakopoulos, Bergaz Conesa, Blak, Bordes, Boudjenah, Brie, Caudron, Cauquil, Di Lello Finuoli, Fiebigler, Figueiredo, Frahm, Fraisse, Herzog, Jové Peres, Kaufmann, Koulourianos, Krivine, Laguiller, Markov, Maset Campos, Meijer, Modrow, Patakis, Schmid Herman, Sjöstedt, Vachetta, Wurtz**NI:** Beysen, Gorostiaga Atxalandabaso, Ilgenfritz, Kronberger, Paisley**PPE-DE:** Almeida Garrett, Andria, Arvidsson, Averoff, Avilés Perea, Ayuso González, Banotti, Bartolozzi, Bayona de Perogordo, Bébéar, Berend, von Boetticher, Bourlanges, Bremmer, Brok, Camisón Asensio, Cardoso, Cederschiöld, Cocilovo, Costa Raffaele, Daul, Deprez, Descamps, De Veyrac, Dimitrakopoulos, Doyle, Ebner, Fatuzzo, Fernández Martín, Ferrer, Ferri, Fiori, Florenz, Folias, Fourtou, Gahler, Galeote Quecedo, García-Margallo y Marfil, García-Orcoyen Tormo, Gargani, Garriga Polledo, Gemelli, Gil-Robles Gil-Delgado, Glase, Gomolka, Gouveia, Grönfeldt Bergman, Grosch, Grossetête, Hermange, Hernández Mollar, Herranz García, Hieronymi, Jeggle, Karas, Keppelhoff-Wiechert, Klamt, Klaß, Koch, Kratsa-Tsagaropoulou, Langen, Lechner, Lehne, Liese, Lisi, Lulling, Maat, McCartin, Mann Thomas, Marinos, Martens, Matikainen-Kallström, Mayer Hans-Peter, Mayer Xaver, Méndez de Vigo, Menrad, Mombaur, Morillon, Musotto, Naranjo Escobar, Oomen-Ruijten, Oreja Arburúa, Pack, Pastorelli, Pérez Álvarez, Pex, Pirker, Piscarreta, Podestà, Pronk, Quisthoudt-Rowohl, Redondo Jiménez, Ripoll y Martínez de Bedoya, Rovsing, Rübig, Sacrédeus, Salafraña Sánchez-Neyra, Santer, Santini, Sartori, Schaffner, Schierhuber, Schleicher, Schwaiger, Sommer, Stenmarck, Stenzel, Sudre, Suominen, Tajani, Theato, Trakatellis, Varela Suanzes-Carpegna, van Velzen, de Veyrinas, Vidal-Quadras Roca, Vlasto, Wuermeling, Zabell, Zacharakis, Zappalà, Zimmerling**PSE:** Andersson, Aparicio Sánchez, Baltas, Berenguer Fuster, Berès, van den Berg, Berger, Bösch, Bowe, Bullmann, Carlotti, Casaca, Cercas, Ceyhun, Corbett, Corbey, Darras, Dehousse, De Keyser, De Rossa, Désir, Díez González, Dührkop Dührkop, Duhamel, Duin, El Khadraoui, Ettl, Evans Robert J.E., Färm, Fava, Ferreira, Ford, Fruteau, Garot, Gebhardt, Gill, Gillig, Glante, Goebbels, Görlach, Gröner, Guy-Quint, Hänsch, Haug, Hazan, Honeyball, Howitt, Hughes, van Hulten, Iivari, Imbeni, Izquierdo Collado, Izquierdo Rojo, Jöns, Junker, Karamanou, Katiforis, Keßler, Kindermann, Kinnock, Koukiadis, Krehl, Kreissl-Dörfler, Kuhne, Lage, Lalumière, Lange, Lavarra, Leinen, Lund, McAvan, McNally, Malliori, Mann Erika, Marinho, Martin David W., Martin Hans-Peter, Martínez Martínez, Mastorakis, Medina Ortega, Mendiluce Pereiro, Menéndez del Valle, Miguélez Ramos, Miller, Miranda de Lage, Moraes, Müller, Myller, Napolitano, O'Toole, Paasilinna, Paciotti, Pittella, Poignant, Poos, Prets, Rapkay, Read, Rothe, Roure, Sacconi, Sakellariou, Sandberg-Fries, dos Santos, Sauquillo Pérez del Arco, Savary, Scheele, Schmid Gerhard, Simpson, Skinner, Soares, Sornosa Martínez, Souladakis, Sousa Pinto, Stihler, Stockmann, Swiebel, Swoboda, Theorin, Thorning-Schmidt, Titley, Vairinhos, Van Lancker, Walter, Watts, Weiler, Whitehead, Wiersma, Wynn, Zorba, Zrihen**UEN:** Bigliardo, Segni**Verts/ALE:** Aaltonen, Boumediene-Thiery, Breyer, Buitenweg, Celli, Dhaene, Echerer, Evans Jillian, Ferrández Lezaun, Flautre, Frassoni, Gahrton, Graefe zu Baringdorf, Isler Béguin, Lagendijk, Lambert, Lucas, MacCormick, McKenna, Maes, Mayol i Raynal, Onesta, Rod, Rühle, Schörling, Schroedter, Sørensen, Turmes, Wuori, Wyn**Against: 66****EDD:** Belder, Blokland, Booth, van Dam, Titford**ELDR:** Andreasen, Busk, Huhne, Jensen, Ludford, Riis-Jørgensen, Sørensen

Wednesday 14 January 2004

NI: Berthu, Borghezio, Claeys, Dillen, Gobbo, Gollnisch, Lang, de La Perriere, Martinez

PPE-DE: Atkins, Balfe, Beazley, Bradbourn, Callanan, Chichester, Corrie, Dover, Elles, Foster, Goodwill, Harbour, Heaton-Harris, Helmer, Inglewood, Jackson, Kirkhope, McMillan-Scott, Mauro, Parish, Perry, Posselt, Provan, Purvis, Radwan, Stevenson, Stockton, Sumberg, Tannock, Twinn, Van Orden, Villiers

UEN: Berlato, Camre, Collins, Crowley, Marchiani, Muscardini, Mussa, Nobilia, Ó Neachtain, Pasqua, Poli Bortone, Ribeiro e Castro, Thomas-Mauro

Abstention: 5

EDD: Abitbol

NI: Souchet, Stirbois

PPE-DE: Scallon

PSE: Rothley

Wednesday 14 January 2004

TEXTS ADOPTED**P5_TA(2004)0016****Tuna****European Parliament resolution on the tuna fleet and industry: situation and future prospects in the EU and worldwide (2003/2017(INI))***The European Parliament,*

- having regard to its resolution of 19 June 1998 on the fish product canning industry and aquaculture in the European Union ⁽¹⁾,
 - having regard to its resolution of 17 January 2001 on the common fisheries policies and the challenge of economic globalisation ⁽²⁾,
 - having regard to its resolution of 13 December 2001 on the role of flags of convenience in the fisheries sector ⁽³⁾,
 - having regard to its resolution of 14 March 2002 on the fish processing industry ⁽⁴⁾,
 - having regard to its position of 27 March 2003 on the proposal for a Council regulation establishing a tuna tracking and verification system ⁽⁵⁾,
 - having regard to Rule 163 of its Rules of Procedure,
 - having regard to the report of the Committee on Fisheries (A5-0412/2003),
- A. whereas tuna is the most commercially important fishery resource at world level and at EU level,
- B. whereas the EU tuna fleet and its tuna processing and marketing industry traditionally have a special link, which has been fundamental for both industries' development,
- C. whereas the fish processing and marketing industry is an essential pillar of the common fisheries policy, complementing the extractive activity of the Community fleet, which helps to secure the supply of food products of which there is a deficit in the EU market and for which there is growing demand, and whereas in the EU tuna accounts for almost 60 % of canned fish,
- D. whereas the Community market for canned tuna is currently the world's most socially and economically important market in the field of fisheries and has the strongest growth and highest commercial value, and it is therefore the target for the majority of third-country industries,
- E. whereas this market growth is upheld by the commitment to maintain quality in relation to both the fleet's fishing activity and the production of the European canning industry,
- F. whereas economic and social cohesion is one of the fundamental principles of the Union and employment is currently one of the Union's main priorities and, as was highlighted at the Luxembourg Council of 20 November 1997, it is necessary to promote those sectors which act as dynamic factors

⁽¹⁾ OJ C 210, 6.7.1998, p. 295.

⁽²⁾ OJ C 262, 18.9.2001, p. 157.

⁽³⁾ OJ C 177 E, 25.7.2002, p. 324.

⁽⁴⁾ OJ C 47 E, 27.2.2003, p. 601.

⁽⁵⁾ P5_TA(2003)0107.

Wednesday 14 January 2004

for economic activity, help to maintain activities generating stable employment and help to preserve the economic and social fabric of the Union's regions,

- G. whereas the EU tuna fleet and tuna canning sector figure among the industries with the longest tradition in certain European regions which depend on fishing, where they also play an extremely important socio-economic role,
- H. whereas the Community tuna freezer fleet is the largest fleet of its type in the world in terms of both size and catches, and the volume and value of its catches also make it one of the largest segments of the EU fleet,
- I. whereas both the tuna fleet and the tuna canning industry have been placed at a disadvantage by certain actions taken by the Community administration, demanding that they meet strict and costly requirements relating inter alia to health and hygiene, the environment, technology, safety at work, maritime safety and the monitoring of fishing activities, which have allowed and indeed favoured the inflow of competing products from other countries whose firms are subject to checks only on the final product and do not reach the standards required of the Community industry, as in the case with certain Asian countries, for which preferential treatment is now to be granted,
- J. whereas compliance with these requirements has obliged both the fleet and the industry to make significant investments, which has meant that its products are less competitive than those of other countries which are not obliged to meet the same requirements, and which therefore base their strategy on price in order to penetrate the Community market, unfairly competing with Community production, with the resulting implications in the tuna market,
- K. whereas tuna are among the preferred species targeted by vessels flying flags of convenience, owing to their relatively high price on the market and the fact that they are frequently caught on the high seas where control and surveillance activities are scarce; whereas flags of convenience allow ship-owners to evade the many controls (safety, conservation, hygiene, etc.) which are respected by legitimate fishing interests,
- L. whereas structural policy was introduced as a temporary aid for as long as structural problems exist in the fleet and the Community processing industry and, in particular, problems relating to renewal, modernisation and competitiveness,
- M. whereas the tuna freezer fleet was placed at a serious disadvantage in the most recent reform of structural policy, with the result that it will be virtually impossible to renew this fleet with Community funds,
- N. whereas, further, the system for monitoring imports from third countries is far from being an effective monitoring system, since data becomes available long after the commercial operations have been completed, as is the case when checks are carried out to establish whether the maximum authorised quotas for certain products have been exceeded or where rules of origin are being contravened,
- O. whereas the principle of bilateral cumulation is one of the bases of the Community trade system, and whereas it is effective and beneficial in many cases but account should be taken of exceptions to it in cases where the benefit deriving from the purchase of Community raw material leads to a drop in sales of the final product of Community firms, as a consequence of which they subsequently purchase a proportionately smaller amount of raw material, leading to the disappearance of the benefit sought when this principle was applied,
- P. whereas one of the basic principles of the Treaties establishing the Community is the principle of Community preference, which seeks to secure, in economic and industrial terms, the development, growth and improvement of the Community's own industry,

Wednesday 14 January 2004

- Q. whereas the common organisation of the markets in fisheries products in the EU has permitted access to the Community market for whole frozen tuna, tuna loins and canned tuna from third countries with minimum restrictions,
- R. mindful of the liberalisation of the EU's trade relations in the international market for canned fish products, through the consolidation in GATT of a common customs tariff for some products, together with the exceptions and derogations included in it through the Generalised Systems of Preferences (GSP) and cooperation or partnership agreements, inter alia,
- S. whereas canned tuna has been considered a highly sensitive product within the EU, as demonstrated in various Community agreements in which canned tuna has received special treatment,
- T. whereas there are currently States within the EU which produce and export large amounts of canned tuna at world level (such as Spain, Italy, France and Portugal), with an industry which in turn has extremely close ties with the Community tuna fleet, which accounts for more than 20 % of world catches,
- U. whereas the tuna fleet and Community tuna canning industry generate employment amounting to more than 40 000 direct jobs, Community production of whole tuna exceeds 350 000 t and production of canned tuna exceeds 400 000 t, and whereas intra-Community sales of canned products have increased by 125 % in recent years,
- V. whereas, in line with the EU's own recommendations, Community tuna firms have made significant investments in third countries, above all in countries in Latin America, Africa and the Caribbean, to contribute to the development of countries covered by the GSP-drugs scheme and of ACP countries, which have agreements with the EU,
- W. mindful of Articles 2 and 3(m) of the Treaty establishing the European Community, which lay down the task of strengthening the competitiveness of Community industry,
- X. whereas it is necessary to maintain sustainable fishing and fully respect the rules for the conservation of tuna laid down by the various RFOs and, at a general level, by the FAO itself, aimed at establishing responsible fishing and trade,
- Y. bearing in mind that several tuna stocks are currently in a state of over-exploitation, at least in part owing to an excess of capacity involved in the fisheries; that therefore there is an urgent need for the relevant RFOs to adopt limits on the levels of capacity that is allowed in those fisheries, which, to be effective, will require concerted cooperation among all the world's tuna RFOs in order to prevent migration of the fleets to areas with less strict controls,
- Z. mindful of the need to avoid the incidental mortality among dolphins and other species which may occur in the tuna fishery and to provide firm support for the commitments taken on by the EU in the Agreement on the International Dolphin Conservation programme (AIDCP), as well as the other tuna RFOs to which the EU belongs, and of the need to ensure that tuna are caught with the least possible incidental catch of other species in all areas where the EU fleets operate,
1. Calls on the Commission to draw up a study on the state of tuna resources and the tuna fleet and industry and the situation and future prospects in the EU and worldwide covering, among other aspects: catches, status of the stocks, production, firms, the sector's development in recent years in the various Member States and the main competitor countries, the volume of exports and imports, employment, technical and health rules, tariff arrangements and, in general, the legislation applicable to the sector and the codification of those rules;

Wednesday 14 January 2004

2. Calls on the Commission to submit proposals to the Council and Parliament providing for a specific action plan and an overall structural support framework for the tuna sector, together with a plan to protect the tuna sector in the face of third countries;
3. Calls on the Council and Commission to carry out a detailed analysis of Community customs legislation affecting the tuna sector with a view to assessing the most advantageous arrangements for the entire sector;
4. Declares that, in the event that the general interest of the Union's external trade relations or development cooperation policy make it necessary to maintain certain imports which represent market access amounting to unfair competition for Community canned tuna, they should be classed as sensitive products thus affected and compensatory aid should be granted to the sector;
5. Calls for particular consideration to be shown towards the tuna sector in view of its economic importance and because it is a sector which provides a large number of jobs, both direct and indirect, affecting many other complementary and ancillary industries and industries providing other ingredients, containers and packaging, logistics and transport;
6. Stresses, further, that the sector is highly concentrated in outlying Community regions which are heavily dependent on fisheries and have a lower level of economic development than central regions of the Community;
7. Urges that products from third countries should be required to meet the same technical and health requirements and requirements relating to food safety and quality as products from the Community industry before they can be imported by the Member States;
8. Calls for the intensification of inspections on third-country products in relation to Council Directive 91/493/EEC of 22 July 1991 laying down the health conditions for the production and the placing on the market of fishery products ⁽¹⁾, so that products from those countries are not subject to fewer requirements than Community production;
9. Urges the Commission to carry out thorough checks on the origin of imported products in order to prevent fraud against the consumer and unfair competition for the Community industry;
10. Points to the need to create a network of reference laboratories at Community level to uphold quality, food safety and consumer safety in relation to processed products, which would check that products marketed in the single European market meet the requirements laid down by Community rules for products produced in the EU;
11. Calls on the Commission to introduce a quality promotion policy aimed at increasing the consumption of tuna products from the Community industry, defining minimum quality standards and based on the identification of the product's origin and full and accurate information for consumers on the type of tuna packed and on the ingredients;
12. Stresses the importance of the interrelation between the Community fleet and the tuna processing sector, urging that long-term contracts be concluded between producers and their organisations and processing firms which will favour both parties, safeguarding supplies at favourable prices and on favourable conditions;
13. Calls on the Commission and Council, bearing in mind that canned products preserve the nutritional properties of foodstuffs and because of their optimum conditions for conservation and ease of transport, to promote the inclusion of Community canned tuna in its humanitarian policy on providing food and/or emergency aid for countries in need;

⁽¹⁾ OJ L 268, 24.9.1991, p. 15.

Wednesday 14 January 2004

14. Calls on the Commission to consider the structural management of the Community freezer tuna fleet, which always operates outside Community waters and is therefore subject to management by the competent regional fisheries organisations, independently from the remainder of the fleet operating in Community waters, following the recommendations of those RFOs;
15. Commends the Commission on its action plan on IUU fishing and calls for its urgent implementation, including ways to discourage EU involvement in IUU fishing, such as preventing the export of EU-owned vessels to flags of convenience and the closing of EU ports to IUU vessels;
16. Calls on the Commission to analyse the application of medium- and long-term strategies which would foster the competitiveness of the entire tuna sector and the possible application of a special Community register for the tuna fleet;
17. Resolutely supports maintaining the current international tuna fisheries agreements and advocates their possible harmonisation and extension to other geographical areas in the Indian Ocean, the Pacific and the South Atlantic; also supports resolutely contributing to a fair international market for tuna fisheries and the tuna processing industry;
18. Urges the Community to take the lead in developing programmes in the tuna RFOs to adapt fleet capacity in tuna fisheries to the available resources, including by the use of lists of individual vessel names which comply with the relevant rules and are allowed in the fisheries or those which do not comply and are proscribed, and which can lead to the imposition for the latter of severe commercial measures; notes that such actions will require cooperation among the various RFOs;
19. Supports, likewise, the EU's active presence in the current RFOs and advocates its presence as a full member of all existing RFOs and those which may be set up in the future; welcomes, therefore, the lifting of the veto on the Community's presence in the IATTC;
20. Requests the Commission, bearing in mind the growing importance of the regulatory role played by RFOs in managing world tuna resources and the consequent increase in the complexity of the monitoring required by these RFOs, to create a unit for tuna and highly migratory species within the Fisheries DG, with sufficient staff and economic resources to ensure that the commitments relating to responsible fishing and the conservation of resources which the EU has entered into through the various international agreements can be properly fulfilled;
21. Welcomes the fact that the provisional application of the AIDCP by the EU has led to the publication of Council Regulation (EC) No 882/2003, of 19 May 2003, establishing a tuna tracking and verification system⁽¹⁾, a system whose full compatibility with AIDCP rules has been accredited by that organisation; considers that this represents, inter alia, a step towards the public recognition of the rules on responsible fishing and trade adopted in the RFOs, thus guaranteeing independent, non-discriminatory and reliable management and control; considers that, likewise, this represents a gesture of support for the system for protecting dolphins in purse-seine fisheries established by the AIDCP, whose system of observers and tuna tracking, including the dolphin safe label, is far removed from other private certification schemes which have hitherto been introduced;
22. Calls upon the Commission to clarify the relationship between the 'dolphin-safe' label that is managed by the AIDCP (an intergovernmental body to which the EU belongs) and any other 'dolphin-safe' label marketed in the EU; believes that any 'dolphin-safe' label allowed on the EU market must be transparent in its criteria and operation and reliable for consumers, so that they can trust the information on the label;

⁽¹⁾ OJ L 127, 23.5.2003, p. 1.

Wednesday 14 January 2004

23. Calls upon the Commission to help maintain a stable social and employment framework, particularly in the case of women, given that women make up most of the workforce in the processing sector;
24. Calls on the Commission actively to enforce existing legislation and the necessary market controls to ban the marketing in the EU of fish products obtained in contravention of the recommendations made by the RFOs which manage world tuna stocks; insists, furthermore, that direct control be established over ports with a view to preventing the landing of tuna from countries which do not comply with the RFO catch rules, particularly in the case of ICCAT;
25. Calls upon the Commission to maintain aid which will reduce the environmental impact, the discharge of waste into the sea, the impact of gas emissions and the stench associated with the industries in question;
26. Welcomes the position adopted by the EU in ICCAT in favour of extending the necessary control measures on tuna fattening in farms — in force since 3 June 2003 and already applied previously by at least one Member State — to all contracting parties, so as to guarantee that such activities do not hinder the efforts being made to conserve these fish stocks;
27. Requests the Commission to create, following the Tuna Days held on 5 and 6 June 2003, a specific advisory committee on tropical tuna so that representatives of the Community tuna fleet and industry can exchange ideas within an institutional framework, thereby making the coordination of Community policies affecting the sector more effective;
28. Instructs its President to forward this resolution to the Commission and Council, the governments and parliaments of the Member States, the secretariats of the tuna RFOs to which the EU belongs, and the governments of those third countries with which the EU has signed a fisheries agreement with a tuna component.

P5_TA(2004)0017

Detergents ***II

European Parliament legislative resolution on the Council common position with a view to adopting a European Parliament and Council regulation on detergents (10595/3/2003 — C5-0521/2003 — 2002/0216(COD))

(Codecision procedure: second reading)

The European Parliament,

- having regard to the Council common position (10595/3/2003 — C5-0521/2003) ⁽¹⁾,
- having regard to its position at first reading ⁽²⁾ on the Commission proposal to Parliament and the Council (COM(2002) 485) ⁽³⁾,
- having regard to the amended proposal (COM(2003) 306) ⁽⁴⁾,
- having regard to Article 251(2) of the EC Treaty,

⁽¹⁾ Not yet published in OJ.

⁽²⁾ *Texts Adopted*, 10.4.2003, P5_TA(2003)0184.

⁽³⁾ Not yet published in OJ.

⁽⁴⁾ Not yet published in OJ.

Wednesday 14 January 2004

- having regard to Rule 80 of its Rules of Procedure,
 - having regard to the recommendation for second reading of the Committee on the Environment, Public Health and Consumer Policy (A5-0455/2003),
1. Amends the common position as follows;
 2. Instructs its President to forward its position to the Council and Commission.

P5_TC2-COD(2002)0216**Position of the European Parliament adopted at second reading on 14 January 2004 with a view to adopting European Parliament and Council Regulation (EC) No .../2004 on detergents**

THE EUROPEAN PARLIAMENT AND THE COUNCIL OF THE EUROPEAN UNION,

Having regard to the Treaty establishing the European Community, and in particular Article 95 thereof,

Having regard to the proposal from the Commission⁽¹⁾,Having regard to the Opinion of the European Economic and Social Committee⁽²⁾,Acting in accordance with the procedure laid down in Article 251 of the Treaty⁽³⁾,

Whereas:

- (1) Council Directives 73/404/EEC of 22 November 1973 on the approximation of the laws of the Member States relating to detergents⁽⁴⁾, 73/405/EEC of 22 November 1973 on the approximation of the laws of the Member States relating to methods of testing the biodegradability of anionic surfactants⁽⁵⁾, 82/242/EEC of 31 March 1982 on the approximation of the laws of the Member States relating to methods of testing the biodegradability of non-ionic surfactants⁽⁶⁾, 82/243/EEC of 31 March 1982 amending Directive 73/405/EEC on the approximation of the laws of the Member States relating to methods of testing the biodegradability of anionic surfactants⁽⁷⁾ and 86/94/EEC of 10 March 1986 amending for the second time Directive 73/404/EEC on the approximation of the laws of the Member States relating to detergents⁽⁸⁾, have been significantly amended on several occasions. It is desirable, for reasons of clarity and rationalisation, that the provisions in question should be recast by bringing them all together in a single text. Commission Recommendation 89/542/EEC of 13 September 1989⁽⁹⁾, as regards labelling provisions concerning detergents and cleaning products, should also be included in the single text.

⁽¹⁾ OJ C ...

⁽²⁾ OJ C 95, 23.4.2003, p. 24.

⁽³⁾ Opinion of the European Parliament of 10 April 2003 (not yet published in the Official Journal), Council Common Position of 4 November 2003 (OJ C 305 E, 16.12.2003, p. 11) and Position of the European Parliament of 14 January 2004.

⁽⁴⁾ OJ L 347, 17.12.1973, p. 51. Directive as last amended by Regulation (EC) No 807/2003 (OJ L 122, 16.5.2003, p. 36).

⁽⁵⁾ OJ L 347, 17.12.1973, p. 53. Directive as amended by Directive 82/243/EEC (OJ L 109, 22.4.1982, p. 18).

⁽⁶⁾ OJ L 109, 22.4.1982, p. 1.

⁽⁷⁾ OJ L 109, 22.4.1982, p. 18.

⁽⁸⁾ OJ L 80, 25.3.1986, p. 51.

⁽⁹⁾ OJ L 291, 10.10.1989, p. 55.

Wednesday 14 January 2004

- (2) Since the objective of this Regulation, to ensure the internal market in detergents, cannot be sufficiently achieved by the Member States, if there is no common technical criteria throughout the Community, and can therefore be better achieved at Community level, the Community may adopt measures, in accordance with the principle of subsidiarity as set out in Article 5 of the Treaty. In accordance with the principle of proportionality, as set out in that Article, this Regulation does not go beyond what is necessary in order to achieve that objective. A Regulation is the appropriate legal instrument as it imposes directly on manufacturers precise requirements to be implemented at the same time and in the same manner throughout the Community; in the area of technical legislation, uniformity of application in the Member States is needed, and this can only be guaranteed by a Regulation.
- (3) a new definition for detergents is needed to cover equivalent uses and be in line with developments at Member State level.
- (4) It is necessary to introduce a surfactant definition, which was lacking in the existing legislation.
- (5) It is important to give a clear and precise description of the relevant types of biodegradability.
- (6) Measures concerning detergents should be adopted to ensure the functioning of the internal market and avoid restricting competition in the Community.
- (7) as confirmed by the Commission White Paper on the strategy for a future Chemical Policy, appropriate measures concerning detergents should ensure a high level of environmental protection, especially of the aquatic environment.
- (8) detergents are already subject to certain Community provisions concerning their manufacture, proper handling, usage and labelling, in particular with reference to Commission Recommendation 89/542/EEC and Commission Recommendation 98/480/EC of 22 July 1998 concerning good environmental practice for household laundry detergents⁽¹⁾; Directive 1999/45/EC of the European Parliament and of the Council of 31 May 1999 concerning the approximation of the laws, regulations and administrative provisions of the Member States relating to the classification, packaging and labelling of dangerous preparations⁽²⁾ applies to detergents.
- (9) Ditallow-dimethyl-ammonium-chloride (DTDMAC) and nonylphenol (including ethoxylates derivatives-APEs) are priority substances undergoing at Community level risk assessment activities, in accordance with Council Regulation (EEC) No 793/93 of 23 March 1993 on the evaluation and control of the risks of existing substances⁽³⁾, and if necessary adequate strategies to limit the risks of exposure to these substances should therefore be recommended and implemented in the framework of other Community provisions.
- (10) the existing legislation on biodegradability of surfactants in detergents only covers primary biodegradability⁽⁴⁾ and it is only applicable to anionic⁽⁵⁾ and non-ionic⁽⁶⁾ surfactants; therefore it should be replaced by new legislation, which lays the main emphasis on ultimate biodegradability and meets the important concerns related to the potential toxicity of persistent metabolites.
- (11) this requires the introduction of a new set of tests based on EN ISO standards and OECD guidelines, which governs the granting of direct permission for placing detergents on the market.

⁽¹⁾ OJ L 215, 1.8.1998, p. 73.

⁽²⁾ OJ L 200, 30.7.1999, p. 1. Directive as last amended by Regulation (EC) No 1882/2003 of the European Parliament and of the Council (OJ L 284, 31.10.2003, p. 1).

⁽³⁾ OJ L 84, 5.4.1993, p. 1. Regulation as amended by Regulation (EC) No 1882/2003.

⁽⁴⁾ Directives 73/404/EEC and 86/94/EEC.

⁽⁵⁾ Directives 73/405/EEC and 82/243/EEC.

⁽⁶⁾ Directive 82/242/EEC.

Wednesday 14 January 2004

- (12) to provide a high level of protection of the environment, detergents not fulfilling requirements laid down by this Regulation should not be placed on the market.
- (13) on 25 November 1999 the Scientific Committee on Toxicity, Ecotoxicity and the Environment issued an opinion on biodegradability of surfactants in detergents and relevance of test-methods for regulatory control in this area.
- (14) the existing requirements regarding primary biodegradability should be maintained on a second hierarchy level and supplemented by a complementary risk assessment, for those surfactants failing ultimate biodegradability tests; furthermore surfactants failing primary biodegradability tests should not obtain marketing authorisation by way of derogation
- (15) the primary biodegradability requirements should be extended to all surfactants, in particular cationic and amphoteric, whilst allowing the possibility of applying instrumental analyses in those cases in which semi-specific analytical methods are not suitable.
- (16) the determination of biodegradability test-methods and the record-keeping of lists of derogations are technical matters and should be revised taking into account technical and scientific developments as well as regulatory developments.
- (17) test-methods should produce data that give sufficient assurance of aerobic biodegradability of surfactants in detergents.
- (18) Methods to test biodegradability of surfactants in detergents may produce variable results. In such cases they should be complemented by additional assessments in order to determine the risks of continued use.
- (19) provisions should also be laid down regarding the placing on the market in exceptional cases of surfactants in detergents failing ultimate biodegradability tests and this should take place on the basis of all relevant information to ensure environmental protection and on a case by case basis.
- (20) The measures necessary for the implementation of this Regulation should be adopted in accordance with Council Decision 1999/468/EC of 28 June 1999 laying down the procedures for the exercise of implementing powers conferred on the Commission⁽¹⁾.
- (21) it is appropriate to recall that other horizontal legislation is applicable to detergent surfactants, in particular Council Directive 76/769/EEC of 27 July 1976 on the approximation of the laws, regulations and administrative provisions of the Member States relating to restrictions on the marketing and use of certain dangerous substances and preparations⁽²⁾ by which the marketing and use of dangerous substances covered by this Regulation might be banned or restricted, Council Directive 67/548/EEC of 27 June 1967 on the approximation of laws, regulations and administrative provisions relating to the classification, packaging and labelling of dangerous substances⁽³⁾, Commission Directive 93/67/EEC of 20 July 1993 laying down the principles for assessment of risks to man and the environment of substances notified in accordance with Council Directive 67/548/EEC⁽⁴⁾, Regulation (EEC) No 793/93, and Commission Regulation (EC) No 1488/94 of 28 June 1994 laying down the principles for the assessment of risks to man and the environment of existing substances⁽⁵⁾; Directive 98/8/EC of the European Parliament and of the Council of 16 February 1998 concerning the placing of biocidal products on the market⁽⁶⁾; Directive 2004/10/EC of the European

⁽¹⁾ OJ L 184, 17.7.1999, p. 23.

⁽²⁾ OJ L 262, 27.9.1976, p. 201. Directive as last amended by Commission Directive 2004/21/EC (OJ L 57, 25.2.2004, p. 4).

⁽³⁾ OJ L 196, 16.8.1967, p. 1. Directive as last amended by Regulation (EC) No 807/2003.

⁽⁴⁾ OJ L 227, 8.9.1993, p. 9.

⁽⁵⁾ OJ L 161, 29.6.1994, p. 3.

⁽⁶⁾ OJ L 123, 24.4.1998, p. 1. Directive as amended by Regulation (EC) No 1882/2003.

Wednesday 14 January 2004

Parliament and of the Council of 11 February 2004 on the harmonisation of laws, regulations and administrative provisions relating to the application of the principles of good laboratory practice and the verification of their application for tests on chemical substances (codified version)⁽¹⁾; Directive 2004/9/EC of the European Parliament and of the Council of 11 February 2004 on the inspection and verification of good laboratory practice (GLP) (codified version)⁽²⁾; and Council Directive 86/609/EEC of 24 November 1986 on the approximation of laws, regulations and administrative provisions of the Member States regarding the protection of animals used for experimental and other scientific purposes⁽³⁾.

- (22) it should be the responsibility of manufacturers to refrain from marketing detergents not complying with this Regulation and to have at the disposal of the national authorities the technical files for all substances and preparations covered by this Regulation; this should also apply to surfactants that have failed to pass the tests mentioned in Annex III.
- (23) Manufacturers should be able to request a derogation from the Commission, which should have the possibility to grant such derogation in accordance with the procedure referred to in Article 12(2).
- (24) Member States' competent authorities should be able to apply control measures to detergents on the market, but should avoid repeating tests made by the competent laboratories.
- (25) The existing labelling provisions for detergents should be continued, including those in Recommendation 89/542/EEC, which are included in this Regulation in order to fulfil the objective of modernising the rules on detergents. Specific labelling is introduced to inform consumers about fragrance substances and preservation agents that are present in detergents. Medical personnel should be able to obtain from the manufacturer upon request a full listing of all ingredients of a detergent to assist them investigate whether a causal link exists between the development of an allergic response and exposure to a particular chemical substance, and Member States should be able to require that such a listing is also made available to a specific public body designated to provide this information to medical personnel.
- (26) all the above points call for new legislation replacing the existing legislation; however, for a certain period, Member States can continue to apply their existing laws.
- (27) the technical Annexes to this Regulation should be adapted in accordance with the procedure referred to in Article 12(2).
- (28) detergents complying with this Regulation should be allowed to be placed on the market without prejudice to other relevant Community provisions.
- (29) in order to ensure the protection of man and the environment from unforeseen risks of detergents, a safeguard clause is needed.
- (30) The tests specified for the biodegradability of surfactants should be carried out in laboratories meeting an internationally recognised standard, namely EN/ISO/IEC/17025 or the principles of good laboratory practice; it would not be justified to ask for the application of this latter requirement to existing surfactants to the extent that the available tests on them had been performed before the entering into force of the above standard and still provide a comparable level of scientific quality.
- (31) The issues relating to anaerobic biodegradation, the biodegradation of the main non-surfactant organic detergent ingredients, and phosphate content, which are not dealt with in this Regulation

⁽¹⁾ OJ L 50, 20.2.2004, p. 44.

⁽²⁾ OJ L 50, 20.2.2004, p. 28.

⁽³⁾ OJ L 358, 18.12.1986, p. 1. Directive as amended by Directive 2003/65/EC of the European Parliament and of the Council (OJ L 230, 16.9.2003, p. 32).

Wednesday 14 January 2004

should be examined by the Commission and, where this is justified, a proposal should be presented to the European Parliament and the Council. Pending further harmonisation, the Member States may maintain or lay down national rules concerning the above issues.

- (32) The five Directives and the Commission Recommendation mentioned in recital (1) which are replaced by this Regulation should be repealed,

HAVE ADOPTED THIS REGULATION:

Article 1

Objectives and scope

1. This Regulation establishes rules designed to achieve the free movement of detergents and surfactants for detergents in the internal market while, at the same time, ensuring a high degree of protection of the environment and human health.
2. For this purpose, this Regulation harmonises the following rules for the placing on the market of detergents and of surfactants for detergents:
 - the biodegradability of surfactants in detergents;
 - restrictions or bans on surfactants on grounds of biodegradability;
 - the additional labelling of detergents, including fragrance allergens; and
 - the information that manufacturers must hold at the disposal of the Member States competent authorities and medical personnel.

Article 2

Definitions

For the purpose of this Regulation:

- 1) 'Detergent' means any substance or preparation containing soaps and/or other surfactants intended for washing and cleaning processes. Detergents may be in any form (liquid, powder, paste, bar, cake, moulded piece, shape, etc.) and marketed for or used in household, or institutional or industrial purposes.

Other products to be considered as detergents are:

 - 'Auxiliary washing preparation', intended for soaking (pre-washing), rinsing or bleaching clothes, household linen, etc.;
 - 'Laundry fabric-softener', intended to modify the feel of fabrics in processes which are to complement the washing of fabrics;
 - 'Cleaning preparation', intended for domestic all purposes cleaners and/or other cleaning of surfaces (e.g.: materials, products, machinery, mechanical appliances, means of transport and associated equipment, instruments, apparatus, etc.);
 - 'Other cleaning and washing preparations', intended for any other washing and cleaning processes.
- 2) 'Washing' means the cleaning of laundry, fabrics, dishes and other hard surfaces.
- 3) 'Cleaning' has the meaning defined by EN ISO 862.
- 4) 'Substance' means chemical elements and their compounds in the natural state or obtained by any production process, including any additive necessary to preserve the stability of the products and any impurity deriving from the process used, but excluding any solvent which may be separated without affecting the stability of the substance or changing its composition.

Wednesday 14 January 2004

- 5) 'Preparation' means a mixture or solution composed of two or more substances.
- 6) 'Surfactant' means any organic substance and/or preparation used in detergents, which has surface-active properties and which consists of one or more hydrophilic and one or more hydrophobic groups of such a nature and size that it is capable of reducing the surface tension of water, and of forming spreading or adsorption monolayers at the water-air interface, and of forming emulsions and/or microemulsions and/or micelles, and of adsorption at water-solid interfaces.
- 7) 'Primary biodegradation' means the structural change (transformation) of a surfactant by micro-organisms resulting in the loss of its surface-active properties due to the degradation of the parent substance and consequential loss of the surface-active property as measured by test methods listed in Annex II.
- 8) 'Ultimate aerobic biodegradation' means the level of biodegradation achieved when the surfactant is totally used by micro-organisms in the presence of oxygen resulting in its breakdown to carbon dioxide, water and mineral salts of any other elements present (mineralisation), as measured by test methods listed in Annex III, and new microbial cellular constituents (biomass).
- 9) 'Placing on the market' means introducing onto the Community market, thereby making available to third parties, whether in exchange for payment or not. Import into the Community customs territory shall be deemed to be placing on the market.
- 10) 'Manufacturer' means the natural or legal person responsible for placing a detergent or a surfactant for a detergent on the market; in particular, a producer, an importer, a packager working for his own account, or any person changing the characteristics of a detergent or of a surfactant for a detergent, or creating or changing the labelling thereof, shall be deemed to be a manufacturer. A distributor who does not change the characteristics, labelling or packaging of a detergent, or of a surfactant for a detergent, shall not be deemed to be a manufacturer, except where he acts as an importer.
- 11) 'Medical personnel' means a registered medical practitioner, or a person working under the direction of a registered medical practitioner, acting to provide patient care, make a diagnosis or administer treatment, and who is bound by professional confidentiality.
- 12) 'Industrial and institutional detergent' means a detergent for washing and cleaning outside the domestic sphere, carried out by specialised personnel using specific products.

Article 3**The placing on the market**

1. When placed on the market, detergents and surfactants for detergents referred to in Article 1 shall conform with the conditions, characteristics and limits laid down in this Regulation and its Annexes and, where relevant, with Directive 98/8/EC and with any other relevant Community legislation. Surfactants that are also active substances within the meaning of Directive 98/8/EC and that are used as disinfectants are exempt from the provisions of Annexes II, III, IV and VIII of this Regulation provided:

- (a) they are listed in Annex I or IA of Directive 98/8/EC, or
- (b) they are constituents of biocidal products authorised under Article 15(1) or 15(2) of Directive 98/8/EC, or
- (c) they are constituents of biocidal products allowed under the transitional measures or subject to the 10 year work programme provided for in Article 16 of Directive 98/8/EC.

Wednesday 14 January 2004

Instead, such surfactants are deemed to be disinfectants and the detergents of which they are ingredients are subject to the labelling provisions for disinfectants of Annex VII A.

2. Manufacturers of detergents and/or of surfactants for detergents shall be established within the Community.
3. Manufacturers shall be responsible for the conformity of detergents and/or of surfactants for detergents with the provisions of this Regulation and its Annexes.

Article 4

Limitations based on the biodegradability of surfactants

1. Under this Regulation, surfactants and detergents containing surfactants that meet the criteria for ultimate aerobic biodegradation as laid down in Annex III may be placed on the market without further limitations relating to biodegradability.
2. If a detergent contains surfactants for which the level of ultimate aerobic biodegradation is lower than that stipulated in Annex III, manufacturers of industrial or institutional detergents containing surfactants, and/or of surfactants for industrial or institutional detergents, may ask for derogation. Requests for derogation shall be made and decided in accordance with Articles 5, 6 and 9.
3. The level of primary biodegradability shall be measured for all surfactants in detergents failing ultimate aerobic biodegradation tests. Detergent surfactants, for which the level of primary biodegradability is lower than that stipulated in Annex II, shall not be granted derogation.

Article 5

Granting of derogation

1. The request by a manufacturer for derogation shall be made by sending an application to the competent authority of the Member State concerned, referred to in Article 8(1), and to the Commission, providing evidence relating to the criteria mentioned under Article 6(1). Member States can make the request for derogation dependent upon the payment to the Member State's competent authority of a fee. Such fees, if any, shall be levied in a non-discriminatory way and shall not exceed the cost of processing the application.
2. Applications shall include a technical file supplying all the information and justifications necessary for evaluating the safety aspects related to the specific use of surfactants in detergents failing to comply with the biodegradability limits, as set out in Annex III.

In addition to the results of tests stipulated in Annex III, the technical file shall include information and results of tests, as stipulated in Annexes II and IV.

The tests laid down in Annex IV, point 4 shall be carried out on the basis of a tiered approach. The tiered approach will be defined in a technical guidance document to be adopted in accordance with the procedure referred to in Article 12(2) by ...^(*). This guidance document will also specify, where appropriate, those tests for which the principles of good laboratory practice should be applied.

^(*) 18 months after the date of entry into force of this Regulation.

Wednesday 14 January 2004

3. The competent authority of the Member State, receiving applications for derogation in accordance with paragraphs 1 and 2, shall examine the requests, evaluate their compliance with the conditions for derogation and inform the Commission about the results within six months of receiving the complete application.

If the competent authority of the Member State deems it necessary for the evaluation of the risk which may be caused by a substance and/or a preparation, it shall, within three months of receiving the application, ask for further information, verification and/or confirmatory tests concerning these substances and/or preparations or their transformation products, of which they have been notified or have received information under this Regulation. The time period for the evaluation of the dossier by the competent authority of the Member State will start only after the dossier is completed with the additional information. If the requested information is not provided within 12 months, the application shall be considered incomplete and thus invalid. In such a case Article 6(2) shall not apply.

If further information on metabolites is sought, stepwise testing strategies should be employed to ensure maximum use of in-vitro and other non-animal test methods.

4. On the basis of, in particular, the evaluation carried out by the Member State, the Commission may grant a derogation in accordance with the procedure referred to in Article 12(2). If necessary, before granting such derogation the Commission shall evaluate further the matters indicated in paragraph 3 of this Article. It shall take its decision within 12 months of receiving the evaluation from the Member State, except in the case of Article 5(4) and (6) of Decision 1999/468/EC where the period shall be 18 months.

5. Such derogations may allow, limit or severely restrict the placing on the market and the use of surfactants as ingredients in detergents, depending on the results of the complementary risk assessment, as defined in Annex IV. They may include a phase-out period for placing on the market and the use of surfactants as ingredients in detergents. The Commission may review a derogation as soon as information comes to light which would justify a significant revision of the technical file that was included in the application for derogation. For this purpose, the manufacturer shall, upon request, supply to the Commission a technical file that has been updated regarding the items mentioned in Annex IV, point 2. On the basis of this updated information, the Commission may decide to prolong, modify or terminate the derogation. Paragraphs 1 to 4 and 6 of this Article and Article 6 shall apply *mutatis mutandis*.

6. The Commission shall publish the list of surfactants that have obtained derogation, with the corresponding conditions or limitations of use, as provided in Annex V.

Article 6

Conditions for granting a derogation

1. Where the Commission considers granting a derogation, it shall do so in accordance with the procedure referred to in Article 12(2), and on the basis of the following criteria:

- use in low-dispersive applications, rather than in wide-dispersive applications;
- use in specific industrial and/or institutional applications only;
- the risk to the environment or to health posed by the volume of sales and the pattern of use throughout the Community is small compared to the socio-economic benefits, including food safety and hygiene standards.

2. As long as the Commission has not decided on a request for derogation, the placing on the market and use of the surfactant in question may be maintained, provided the manufacturer can show that the

Wednesday 14 January 2004

surfactant was already in use on the Community market at the date of entry into force of this Regulation and that the request for derogation was made within two years from that date.

3. If the Commission refuses to grant a derogation, it shall do so within 12 months of receiving from a Member State the evaluation mentioned in Article 5(3), except in the case of Article 5(4) and (6) of Decision 1999/468/EC where the period shall be 18 months. It may set a transitional period during which the placing on the market and use of the surfactant in question shall be phased out. This transitional period shall not exceed two years from the date of the Commission's decision.

4. The Commission shall publish in Annex VI the list of surfactants that have been identified as not complying with this Regulation.

Article 7

Testing of surfactants

All tests referred to in Articles 3 and 4 and in Annexes II, III, IV and VIII shall be conducted in compliance with the standards mentioned in Annex I.1 and in accordance with testing requirements under Article 10(5) of Regulation (EEC) No 793/93. For this purpose, it is sufficient to apply either the EN ISO/IEC standard or the principles of good laboratory practice, except for those tests for which the principles of good laboratory practice have been made mandatory. In cases where surfactants are used in detergents which were placed on the market before the entry into force of the above standard, existing tests that were performed using the best scientific knowledge available, and that were performed to a standard comparable to those of the standards mentioned in Annex I may be accepted on a case-by-case basis. The manufacturer or the Member State may submit to the Commission any case over which there is doubt or dispute. A decision shall then be taken in accordance with the procedure laid down in Article 12(2).

Article 8

Duties of the Member States

1. Member States shall appoint the competent authority or authorities responsible for communicating and exchanging information relating to the management of this Regulation and inform the Commission of the full name and address of these authorities.

2. Each Member State shall notify to the other Member States and to the Commission the list of approved laboratories, with their full name and address, that are competent and authorised to carry out the tests required by this Regulation. Member States shall demonstrate the competence of the above laboratories according to the standard EN ISO/IEC 17025 mentioned in Annex I.1. This requirement shall be deemed to be fulfilled if the Member State has verified the compliance of laboratories with the principles of good laboratory practice in accordance with Article 2 of Directive 2004/9/EC.

3. Where the competent authority of a Member State has grounds for believing that an approved laboratory does not possess the competence referred to in paragraph 2, it shall raise the matter in the Committee referred to in Article 12. If the Commission decides that the laboratory does not possess the required competence, the name of the approved laboratory shall be removed from the list referred to in paragraph 4. Article 15(2) shall apply, except in the case of laboratories claiming compliance with the requirements of good laboratory practice, for which the non-compliance provisions of Articles 5 and 6 of Directive 2004/9/EC shall apply.

4. The Commission shall publish the lists of competent authorities, mentioned in paragraph 1, and of approved laboratories, mentioned in paragraph 2, once a year in the Official Journal of the European Union to the extent that changes have occurred.

Wednesday 14 January 2004

Article 9

Information to be provided by manufacturers

1. Without prejudice to Article 17 of Directive 1999/45/EC, manufacturers placing on the market the substances and/or preparations covered by this Regulation shall hold at the disposal of the competent authorities of the Member States:

- information on one or more results of the tests mentioned in Annex III;
- for those surfactants failing to pass tests mentioned in Annex III, and for which a request for derogation was made as referred to in Article 5:
 - (i) a technical file on results of the tests mentioned in Annex II,
 - (ii) a technical file on results of the tests and information mentioned in Annex IV.

2. Whenever substances and/or preparations covered by this Regulation are placed on the market, the manufacturer shall be responsible for the correct performance of the relevant tests mentioned above. He shall also have available documentation on the testing carried out to demonstrate compliance with this Regulation, and to show that he is allowed to benefit from the property rights concerning the test results, other than for those test results already in the public domain.

3. Manufacturers placing on the market the preparations covered by this Regulation shall, upon request, make available without delay and free of charge, to any medical personnel, an ingredient datasheet as stipulated in Annex VII C.

This is without prejudice to the right of a Member State to request that such a datasheet be made available to a specific public body to which the Member State has assigned the task of providing this information to medical personnel.

The information contained in the datasheet shall be kept confidential by the specific public body and by the medical personnel, and shall be used only for medical purposes.

Article 10

Control measures

1. Member States' competent authorities may apply, as appropriate, all necessary control measures to detergents placed on the market which ensure the compliance of the product with the provisions of this Regulation. The reference method shall be the test and analytical methods referred to in Annex VIII. These control measures shall not oblige manufacturers to repeat tests made by laboratories fulfilling the conditions indicated in Article 8(2), or to pay for any repeat or additional test, provided the initial test has shown compliance of detergents, or surfactants used as ingredients in detergents, with this Regulation.

2. In cases of concern that a test carried out in accordance with the methods listed in Annex II, III, IV or VIII has produced false positive results, the Member States' competent authorities shall notify the Commission and the Commission shall, in accordance with the procedure laid down in Article 12(2), verify those results and take the necessary measures.

Article 11

Labelling

1. The provisions of this Article are without prejudice to the provisions relating to the classification, packaging and labelling of dangerous substances and preparations in Directives 67/548/EEC and 1999/45/EC.

Wednesday 14 January 2004

2. The following information must appear in legible, visible and indelible characters on the packaging in which the detergents are put up for sale to the consumer:

- (a) the name and trade name of the product;
- (b) the name or trade name or trademark and full address and telephone number of the party responsible for placing the product on the market;
- (c) the address, email address, where available, and telephone number from which the datasheet referred to in Article 9(3) can be obtained.

The same information must appear on all documents accompanying detergents transported in bulk.

3. The packaging of detergents shall indicate the content, in accordance with the specifications provided for in Annex VII A. It shall also indicate instructions for use and special precautions, if required.

4. Additionally, the packaging of detergents sold to the general public intended to be used as laundry detergents shall bear the information provided for in Annex VII B.

5. In cases where a Member State has a national requirement to label in the national language(s), the manufacturer and distributor shall comply with that requirement for the information specified in paragraphs 3 and 4.

6. Paragraphs 1 to 5 are without prejudice to existing national rules according to which graphic representations of fruits which may lead the user into error as to the use of liquid products, shall not appear on the packaging in which the detergents are put up for sale to the consumer.

Article 12

Committee procedure

1. The Commission shall be assisted by a committee.
2. Where reference is made to this paragraph, Articles 5 and 7 of Decision 1999/468/EC shall apply, having regard to the provisions of Article 8 thereof.

The period laid down in Article 5(6) of Decision 1999/468/EC shall be set at three months.

3. The committee shall adopt its Rules of Procedure.

Article 13

Adaptation of the Annexes

1. The amendments necessary for adapting the Annexes shall be adopted in accordance with the procedure referred to in Article 12(2), and shall, wherever possible, use European Standards.
2. In particular, the amendments or additions necessary for applying the rules of this Regulation to solvent-based detergents shall be adopted in accordance with the procedure referred to in Article 12(2).

Article 14

Free movement clause

Members States shall not prohibit, restrict or impede the placing on the market of detergents, and/or of surfactants for detergents, which comply with the requirements of this Regulation, on grounds that are dealt with in this Regulation.

Wednesday 14 January 2004

Pending further harmonisation, Member States may maintain or lay down national rules concerning the use of phosphates in detergents.

Article 15

Safeguard clause

1. Where a Member State has justifiable grounds for believing that a specific detergent, although complying with the requirements of this Regulation, constitutes a risk to safety or health of humans or of animals or a risk to the environment, it may temporarily prohibit the placing on the market of that detergent in its territory or make it temporarily subject to special conditions.

It shall immediately inform the other Member States and the Commission thereof, giving the reasons for its decision.

2. After consultation of the Member States, or, if appropriate, of the relevant technical or scientific committee of the Commission, a decision shall be taken on the matter within ninety days in accordance with the procedure referred to in Article 12(2).

Article 16

Review

1. By ... (*), the Commission shall evaluate, submit a report on and, where justified, present a legislative proposal on the use of phosphates with a view to their gradual phase-out or restriction to specific applications.

2. By ... (**), the Commission shall carry out a review of the application of this Regulation, paying particular regard to the biodegradability of surfactants, and shall evaluate, submit a report on, and, where justified, present legislative proposals relating to:

- anaerobic biodegradation,
- the biodegradation of main non-surfactant organic detergent ingredients.

Article 17

Legislation to be repealed

1. The following Directives are hereby repealed with effect from ... (***)

- Directive 73/404/EEC;
- Directive 73/405/EEC;
- Directive 82/242/EEC;
- Directive 82/243/EEC and
- Directive 86/94/EEC.

2. Recommendation 89/542/EEC is hereby repealed with effect from ... (**).

3. References made to the repealed Directives shall be construed as being references to this Regulation.

(*) Three years after the date of publication of this Regulation.

(**) Five years after the date of publication of this Regulation.

(***) Date of entry into force of this Regulation.

Wednesday 14 January 2004

4. On the day of entry into force of this Regulation, Member States shall repeal their laws, regulations and administrative provisions adopted pursuant to the Directives provided for in paragraph 1 or to the Recommendation referred to in paragraph 2.

Article 18

Sanctions

1. No later than ... (*) , Member States shall establish:
- appropriate legal or administrative measures in order to deal with any infringement of this Regulation and;
 - dissuasive, effective and proportionate sanctions for any such infringement.

This shall include measures allowing them to detain consignments of detergents that fail to comply with this Regulation.

2. They shall immediately inform the Commission thereof.

Article 19

Entry into force

This Regulation shall enter into force (**)

This Regulation shall be binding in its entirety and directly applicable in all Member States.

Done at ...

For the European Parliament
The President

For the Council
The President

(*) Date of entry into force of this Regulation.

(**) 18 months after its date of publication in the Official Journal of the European Union.

ANNEX I

Standards of accreditation, good laboratory practice and animal protection concerning the laboratories that are competent and authorised to provide the necessary service for checking compliance of detergents with the requirements of this Regulation and its Annexes

1. Standards applicable at the level of the laboratories:
- EN ISO/IEC 17025, General requirements for the competence of testing and calibration laboratories;
 - Directive 2004/10/EC;
 - Council Directive 86/609/EEC.
2. Standards applicable at the level of the accreditation bodies and good laboratory practice monitoring authorities:
- EN 45003, Calibration and testing laboratory accreditation system, general requirements for operation and recognition;
 - Directive 2004/9/EC.
-

Wednesday 14 January 2004

ANNEX II

Primary biodegradability test methods for surfactants in detergents

Primary biodegradability is measured by the determination in biodegraded liquors of the remaining level of parent surfactants. This Annex begins with a list of the test-methods common to all classes of surfactants, and then lists under headings A to D the analytical test procedures specific to each class of surfactant.

The pass criterion for primary biodegradability shall be a level of at least 80 %, as measured according to the test methods below.

The reference method for the laboratory testing of surfactants in this Regulation is based on the Confirmatory test procedure in the OECD method, described in Annex VIII.1. Changes to the Confirmatory test procedure are permissible provided that they comply with EN ISO 11733.

TEST METHODS

- (1) The OECD method published in the OECD's technical report of 11 June 1976 on the 'Proposed Method for the Determination of the Biodegradability of Surfactants in Synthetic Detergents'.
- (2) The method in use in France, approved by the 'arrêté du 24 December 1987' published in the Journal officiel de la République française of 30 December 1987, p. 15385, and by the standard NF 73—260 of June 1981, published by the Association française de normalisation (AFNOR).
- (3) The method in use in Germany, established by the 'Verordnung über die Abbaubarkeit anionischer und nichtionischer grenzflächenaktiver Stoffe in Wasch- und Reinigungsmitteln' of 30 January 1977, published in the Bundesgesetzblatt of 1977, Part I, p. 244, as set out in the Regulation amending that Regulation of 4 June 1986, published in the Bundesgesetzblatt of 1986, Part I, p. 851.
- (4) The method in use in the United Kingdom called the 'Porous Pot Test' and described in Technical Report No 70 (1978) of the Water Research Centre.
- (5) The 'Confirmatory test procedure' in the OECD method, described in Annex VIII.1 (including possible changes in operating conditions as proposed in EN ISO 11733). This is also the reference method used for the settlement of litigation.

A. ANALYTICAL METHODS FOR ANIONIC SURFACTANTS

The determination of anionic surfactants in the tests shall be done by the Methylene Blue Active Substance (MBAS) analysis according to the criteria established in Annex VIII.2

For those anionic surfactants not reacting to the above-mentioned MBAS method, or if it seems more appropriate for reasons of efficiency or precision, appropriate specific instrumental analyses such as high performance liquid chromatography (HPLC) or gas chromatography (GC) are to be applied. Samples of the pure surfactant of interest shall be provided by the manufacturer to the competent authorities of the Member States upon request.

B. ANALYTICAL METHODS FOR NON-IONIC SURFACTANTS

The determination of non-ionic surfactants in the tests shall be done by the Bismuth Active Substance (BIAS) method, according to the analytical procedure established in Annex VIII.3.

Wednesday 14 January 2004

For those non-ionic surfactants not reacting to the abovementioned BiAS method, or if it seems more appropriate for reasons of efficiency or precision, appropriate specific instrumental analyses such as HPLC or GC are to be applied. Samples of the pure surfactant of interest shall be provided by the manufacturer to the competent authorities of the Member States upon request.

C. ANALYTICAL METHODS FOR CATIONIC SURFACTANTS

The determination of cationic surfactants in the tests shall be done by the Disulfine Blue Active Substance (DBAS) analysis according to the following DBAS procedures:

The method in use in the Federal Republic of Germany, (1989) DIN 38 409 — Ausgabe: 1989-07.

For those cationic surfactants not reacting to the abovementioned test method, or if it seems more appropriate for reasons of efficiency or precision (this must be justified), appropriate specific instrumental analyses such as HPLC or GC are to be applied. Samples of the pure surfactant of interest shall be provided by the manufacturer to the competent national authorities of the Member States upon request.

D. ANALYTICAL METHODS FOR AMPHOTERIC SURFACTANTS

The determination of amphoteric surfactants in the tests shall be done by analysis following the procedures listed below:

1. If cationics absent:
The method in use in the Federal Republic of Germany, (1989) DIN 38 409-Teil 20.
2. Otherwise:
Orange II method (Boiteux, 1984).

For those amphoteric surfactants not reacting to the above-mentioned tests, or if it seems more appropriate for reasons of efficiency or precision (this must be justified), appropriate specific instrumental analyses such as HPLC or GC are to be applied. Samples of the pure surfactant of interest shall be provided by the manufacturer to the competent authorities of the Member States upon request.

ANNEX III

Ultimate biodegradability (mineralisation) test methods for surfactants in detergents

- A. The reference method for laboratory testing of surfactant ultimate biodegradability in this regulation is based on the en iso standard 14593: 1999 (CO₂ headspace test). Surfactants in detergents shall be considered as biodegradable if the level of biodegradability (mineralisation) measured according to one of the five following tests⁽¹⁾ is at least 60 % within twenty-eight days:
1. EN ISO Standard 14593: 1999. Water quality. — Evaluation of ultimate aerobic biodegradability of organic compounds in aqueous medium. — Method by analysis of inorganic carbon in sealed vessels (CO₂ headspace test). Pre-adaptation is not to be used. The ten days window principle is not applied. (Reference method).
 2. Method of the Directive 67/548/EEC Annex V.C.4-C [Carbon dioxide (CO₂) Evolution Modified Sturm Test]: Pre-adaptation is not to be used. The ten days window principle is not applied.
 3. Method of the Directive 67/548/EEC Annex V.C.4-E (Closed Bottle): Pre-adaptation is not to be used. The ten days window principle is not applied.

⁽¹⁾ These five tests are identified as the most suitable for surfactants.

Wednesday 14 January 2004

4. Method of the Directive 67/548/EEC Annex V.C.4-D (Manometric Respirometry): Pre-adaptation is not to be used. The ten days window principle is not applied.
 5. Method of the Directive 67/548/EEC Annex V.C.4-F (Miti: Ministry of International Trade and Industry-Japan): Pre-adaptation is not to be used. The ten days window principle is not applied.
- B. Depending on the physical characteristics of the surfactant, one of the methods listed below might be used if appropriately justified⁽¹⁾. It should be noted that the pass criterion of at least 70 % of these methods is to be considered as equivalent to the pass criterion of at least 60 % referred to in methods listed in point A. The adequacy of the choice of the methods listed below shall be decided on a case by case confirmation, in accordance with Article 5 of this Regulation.
1. Method of the Directive 67/548/EEC Annex V.C.4-A (Dissolved Organic Carbon DOC Die-Away): Pre-adaptation is not to be used. The ten days window principle is not applied. The pass criteria for biodegradability measured according to the test shall be at least 70 % within twenty-eight days.
 2. Method of the Directive 67/548/EEC Annex V.C.4-B (Modified OECD Screening-DOC Die-Away): Pre-adaptation is not to be used. The ten days window principle is not applied. The pass criteria for biodegradability measured according to the test shall be at least 70 % within twenty-eight days.
- N.B. All the abovementioned methods, taken from Council Directive 67/548/EEC, can also be found in the publication 'Classification, Packaging and Labelling of Dangerous Substances in the European Union', Part 2: 'Testing Methods'. European Commission 1997. ISBN 92-828-0076-8.

⁽¹⁾ The DOC methods could give results on the removal and not on the ultimate biodegradation. The Manometric Respirometry and the ^{MITI} would not be appropriate in some cases because the high initial test concentration could be inhibitory.

ANNEX IV

Complementary risk assessment for surfactants in detergents

For those surfactants for which an environmental risk assessment is available in the context of Directive 93/67/EEC, or Regulation (EEC) No 793/93 and Regulation (EC) No 1488/94, and Technical Guidance Documents, this risk assessment shall be considered together with the complementary risk assessment run in the scope of this Regulation.

The complementary risk assessment run in the scope of this Regulation, in case it is likely that recalcitrant metabolites are produced, shall be considered in the context of assessments made on the basis of Directive 93/67/EEC or Regulation (EEC) No 793/93. This is to be assessed case by case and in particular on the basis of the results of the tests referred to in part 3.

The study shall cover the aquatic environmental compartment. Additional information relating to specific risk assessment concerns might be required by the Committee referred to in Article 12(2) on a case by case basis. Additional information might include other environmental compartments such as sewage sludge and soil. A tiered approach shall be adopted concerning the information required for the technical file referred to in Articles 5 and 9. The file shall contain at least the information described under points 1, 2 and 3 below. However, to minimise testing, and especially to avoid unnecessary animal testing, the additional studies listed under point 4.2.2 should be requested only where such information is necessary and propor-

Wednesday 14 January 2004

tionate. In case of dispute concerning the extent of additional information required, a Decision may be taken in accordance with the procedure laid down in Article 12(2).

As noted in Article 13, the guidelines included in this Annex for the Decisions on derogation may be adapted as appropriate on the basis of the accumulated experience.

1. Identity of the surfactant (in accordance with the provisions laid down by Annex VII.A of Directive 67/548/EEC).

1.1. Name

1.1.1. Names in the IUPAC nomenclature

1.1.2. Other names

1.1.3. CAS number and CAS name (if available)

1.1.4. Einescs⁽¹⁾ or Elincs⁽²⁾ numbers (if available)

1.2. Molecular and structural formula

1.3. Composition of the surfactant

2. Information on the surfactant

2.1. Quantities of the surfactant used in detergents

2.2. The information on use patterns given in this section shall be sufficient to allow an approximate but realistic estimate of function and environmental exposure to the surfactant as associated with its use in detergents. It shall include the following:

- importance of the application (societal value),
- use conditions (release scenario),
- use volume,
- availability and suitability of alternatives (performance and economic considerations),
- assessment of relevant environmental information.

3. Information on the potential recalcitrant metabolites

Toxicity information on test liquors shall be provided. If no data are available on residue identity, the information referred to in point 4.2.1 may be requested, depending on the potential risk, the importance and the quantity of the surfactant used in detergents. In conflicting cases concerning this information, a Decision may be taken in accordance with the procedure laid down in Article 12(2).

4. Additional studies

4.1. Biodegradability tests

4.1.1. Pre-adapted inoculum

Any of the tests described in Annex III, may be run with pre adapted inoculum in order to provide evidence of the relevance of pre-adaptation for the surfactant.

⁽¹⁾ European Inventory of Existing Commercial Substances.

⁽²⁾ European List of Notified Chemical Substances.

Wednesday 14 January 2004

4.1.2. Inherent Biodegradability Tests

At least one of the tests referred to below shall be included:

- method of the Directive 67/548/EEC, Annex V.C.12 (Modified SCAS test),
- method of the Directive 67/548/EEC, Annex V.C.9 (Zahn-Wellens).

Failure to pass the inherent biodegradability test would indicate potential for persistency which may be considered, in general terms, as sufficient to prohibit the placing on the market of such a surfactant except in cases where the criteria set out in Article 6 indicate that there is no justification for refusing a derogation.

4.1.3. Activated Sludge Simulation Biodegradability Tests

The following tests referred below shall be included:

- method of the Directive 67/548/EEC, Annex V.C.10
(including possible changes in operating conditions as proposed in EN ISO 11733).

Failure to pass the activated sludge simulation biodegradability test would indicate potential for the release of the metabolites by sewage treatment, which may be considered, in general terms, as evidence of need for a more complete risk assessment.

4.2. Toxicity testing of biodegradation test liquors

Toxicity information on test liquors is to be provided on:

4.2.1. Chemical and physical information, such as:

- identity of the metabolite (and analytical means by which it was obtained);
- key physical chemical properties (water solubility, Octanol: Water partition coefficient (Log P_o/w , etc.).

4.2.2. Effects on organisms. Tests to be conducted in compliance with the principles of good laboratory practice.

Fish: The test recommended is that in Annex V.C.1 of Directive 67/548/EEC

Daphnia: The test recommended is that in Annex V.C.2 of Directive 67/548/EEC

Algae: The test recommended is that in Annex V.C.3 of Directive 67/548/EEC

Bacteria: The test recommended is that in Annex V.C.11 of Directive 67/548/EEC

4.2.3. Degradation

Biotic: The test recommended is that in Annex V.C.5 of Directive 67/548/EEC

Abiotic: The test recommended is that in Annex V.C.7 of Directive 67/548/EEC. The information to be provided will consider as well the potential of metabolites for bio-concentration and their partitioning to the sediment phase.

Moreover, if some metabolites are suspected for endocrine disrupting activity, it is recommended to determine if these have potential to result in adverse affects as soon as validated testing schemes to assess such adverse effects are available.

N.B. All the abovementioned tests can also be consulted in the publication Classification, Packaging and Labelling of Dangerous Substances in the European Union; Part 2: 'Testing Methods'. European Commission 1997. ISBN 92-828-0076-8.

Wednesday 14 January 2004

ANNEX V

List of surfactants that have obtained a derogation

The following detergent surfactants passing tests stipulated in Annex II, but not passing tests stipulated in Annex III, may be placed on the market by means of derogation stipulated in Article 5 and in accordance with the procedure laid down in Article 12(2):

NAME in the IUPAC NOMENCLATURE	EINECS or ELINCS NUMBER	CAS-NUMBER and CAS-NAME	LIMITATIONS

'Einecs' means the European Inventory of Existing Commercial Substances. This inventory contains the definitive list of all substances deemed to be on the Community market on 18 September 1981.

'Elincs' means the list of new substances as defined in Council Directive 92/32/EEC of 30 April 1992 amending for the seventh time Directive 67/548/EEC on the approximation of the laws, regulations and administrative provisions relating to the classification, packaging and labelling of dangerous substances⁽¹⁾.

⁽¹⁾ OJ L 154, 5.6.1992, p. 1.

ANNEX VI

List of banned or restricted detergent surfactants

The following detergent surfactants have been identified as not complying with the provisions of this Regulation:

NAME in the IUPAC NOMENCLATURE	EINECS or ELINCS NUMBER	CAS NUMBER and CAS NAME	LIMITATIONS

'EINECS' means the European Inventory of Existing Commercial Substances. This inventory contains the definitive list of all substances deemed to be on the Community market on 18 September 1981.

'ELINCS' means the list of new substances, as defined in Directive 92/32/EEC.

ANNEX VII

Labelling and ingredient datasheet

A. Labelling for contents

The following provisions on labelling shall apply to the packaging of detergents sold to the general public.

Wednesday 14 January 2004

The following weight percentage ranges:

- less than 5 %,
- 5 % or over but less than 15 %,
- 15 % or over but less than 30 %,
- 30 % and more,

shall be used to indicate the content of the constituents listed below where they are added in a concentration above 0,2 % by weight:

- phosphates,
- phosphonates,
- anionic surfactants,
- cationic surfactants,
- amphoteric surfactants,
- non-ionic surfactants,
- oxygen-based bleaching agents,
- chlorine-based bleaching agents,
- EDTA and salts thereof,
- NTA (nitrilotriacetic acid) and salts thereof,
- phenols and halogenated phenols,
- paradichlorobenzene,
- aromatic hydrocarbons,
- aliphatic hydrocarbons,
- halogenated hydrocarbons,
- soap,
- zeolites,
- polycarboxylates.

The following classes of constituent, if added, shall be listed irrespective of their concentration:

- enzymes,
- disinfectants,
- optical brighteners,
- perfumes.

If added, preservation agents shall be listed, irrespective of their concentration, using where possible the common nomenclature established under Article 8 of Council Directive 76/768/EEC of 27 July 1976 on the approximation of laws of the Member States relating to cosmetic products ⁽¹⁾.

⁽¹⁾ OJ L 262, 27.9.1976, p. 169. Directive as last amended by Commission Directive 2003/83/EC (OJ L 238, 25.9.2003, p. 23).

Wednesday 14 January 2004

If added, as such, at concentrations exceeding 0,01 % by weight, the allergenic fragrances that appear on the list of substances in Annex III, Part 1 of Directive 76/768/EEC, as a result of its amendment by Directive 2003/15/EC of the European Parliament and of the Council⁽¹⁾ to include the allergenic perfume ingredients from the list first established by the Scientific Committee on Cosmetics and Non Food Products (SCCNFP) in its opinion SCCNFP/0017/98, shall be listed using the nomenclature of that Directive, as shall any other fragrances that are subsequently added to Annex III, Part 1 of Directive 76/768/EEC by adaptation of that Annex to technical progress.

If individual risk-based concentration limits for the fragrance allergens are subsequently established by the SCCNFP, the Commission shall propose the adoption, in accordance with Article 12(2), of such limits to replace the limit of 0,01 % mentioned above.

For detergents intended to be used in the industrial sector, and not made available to members of the general public, the abovementioned requirements do not have to be fulfilled if the equivalent information is provided by means of technical data sheets, safety data sheets, or in a similar appropriate manner.

B. Labelling for dosage information

As prescribed in Article 11(4), the following provisions on labelling shall apply to the packaging of detergents sold to the general public. The packaging of detergents sold to the general public intended to be used as laundry detergents shall bear the following information:

- The recommended quantities and/or dosage instructions expressed in millilitres or grams appropriate to a standard washing machine load, for soft, medium and hard water hardness classes and making provision for one or two cycle washing processes;
- For heavy-duty detergents, the number of standard washing machine loads of 'normally soiled' fabrics, and, for detergents for delicate fabrics, the number of standard washing machine loads of lightly-soiled fabrics, that can be washed with the contents of the package using water of medium hardness, corresponding to 2,5 millimoles CaCO₃/l;
- The capacity of any measuring cup, if provided, shall be indicated in millilitres or grams, and markings shall be provided to indicate the dose of detergent appropriate for a standard washing machine load for soft, medium and hard water hardness classes.

The standard washing machine loads are 4,5 kg dry fabric for heavy-duty detergents and 2,5 kg dry fabric for low-duty detergents in line with the definitions of Commission Decision 1999/476/EC of 10 June 1999 establishing the Ecological Criteria for the award of the Community eco-label to Laundry Detergents⁽²⁾. A detergent shall be considered to be a heavy-duty detergent unless the claims of the manufacturer predominantly promotes fabric care i.e. low temperature wash, delicate fibres and colours.

C. Ingredient datasheet

The following provisions shall apply to the listing of ingredients on the datasheet referred to in Article 9(3).

The datasheet shall list the name of the detergent and of the manufacturer.

All ingredients shall be listed; in order of decreasing abundance by weight, and the list shall be sub-divided into the following weight percentage ranges:

- 10 % or more,

⁽¹⁾ OJ L 66, 11.3.2003, p. 26.

⁽²⁾ OJ L 187, 20.7.1999, p. 52. Decision as last amended by Decision 2003/200/EC (OJ L 76, 22.3.2003, p. 25).

Wednesday 14 January 2004

- 1 % or over, but less than 10 %,
- 0,1 % or over, but less than 1 %,
- less than 0,1 %.

Impurities shall not be considered to be ingredients.

The common chemical name or IUPAC ⁽¹⁾ name, the CAS number, and, where available, the INCI ⁽²⁾ name, and the European Pharmacopoeia name, shall be given for each ingredient.

D. Publication of list of ingredients

Manufacturers shall make available on a website the ingredient datasheet mentioned above except for the following information:

- weight percentage ranges
- constituents of perfumes and essential oils,
- constituents of colouring agents.

This obligation shall not apply to industrial or institutional detergents containing surfactants, or to surfactants for industrial or institutional detergents, for which a technical data sheet or safety data sheet is available.

⁽¹⁾ International Union of Pure and Applied Chemistry.

⁽²⁾ International Nomenclature Cosmetic Ingredient.

ANNEX VIII**Test methods and analytical methods**

The following test and analytical methods apply to control procedures for detergents on the market carried out by Member States:

1. Reference method (confirmatory test)**1.1. Definition**

This method describes a laboratory model of the activated sludge + secondary settler which is designed to simulate municipal sewage treatment. The conditions described are those from the Directives that preceded this Regulation. Improved state-of-the-art operating conditions can be applied to this test method as described in EN ISO 11733.

1.2. Equipment needed for measurement

The method of measurement employs the small-activated sludge plant shown in Figure 1, and in greater detail in Figure 2. The equipment consists of a sewage vessel A for synthetic sewage, dosing pump B, aeration vessel C, settling vessel D, air-lift pump E to recycle the activated sludge, and vessel F for collecting the treated effluent.

Vessels A and F must be of glass or suitable plastic and hold at least twenty-four litres. Pump B must provide a constant flow of synthetic sewage to the aeration vessel; this vessel, during normal operation, contains three litres of mixed liquor. A sintered aeration cube G is suspended in the vessel C at the apex of the cone. The quantity of air blown through the aerator shall be monitored by means of a flow meter H.

Wednesday 14 January 2004

1.3. Synthetic sewage

A synthetic sewage is employed for the test. Dissolve in each litre of tap water:

- 160 mg peptone;
- 110 mg meat extract;
- 30 mg urea, $\text{CO}(\text{NH}_2)_2$;
- 7 mg sodium chloride, NaCl ;
- 4 mg calcium chloride, $\text{CaCl}_2 \cdot 2\text{H}_2\text{O}$;
- 2 mg magnesium sulphate, $\text{MgSO}_4 \cdot 7\text{H}_2\text{O}$;
- 28 mg of di-potassium hydrogen phosphate, K_2HPO_4 ;
- and 10 ± 1 mg of the surfactant.

The synthetic sewage is freshly prepared daily.

1.4. Preparation of samples

Uncompounded surfactants are examined in the original state. Active content of surfactant samples must be determined in order to prepare the synthetic sewage (1.3).

1.5. Operation of equipment

Initially, fill aeration vessel C and settling vessel D with synthetic sewage. The height of the vessel D should be so fixed that the volume contained in the aeration vessel C is three litres.

Inoculation is made by introducing 3 ml of a secondary effluent of good quality, freshly collected from a treatment plant dealing with a predominantly domestic sewage. The effluent must be kept under aerobic conditions in the period between sampling and application. Then set the aerator G, air-lift E and dosing device B in operation. The synthetic sewage must pass through the aeration vessel C at a rate of one litre per hour; this gives a mean retention time of three hours.

The rate of aeration should be so regulated that the contents of vessel C are kept constantly in suspension and the dissolved oxygen content is at least 2 mg/l. Foaming must be prevented by appropriate means. Anti-foaming agents that inhibit the activated sludge or contain surfactants must not be used. The air-lift pump E must be set so that the activated sludge from the settling vessel is continually and regularly recycled to aeration vessel C. Sludge which has accumulated around the top of the aeration vessel C, in the base of the settling vessel D, or in the circulation circuit must be returned to the circulation at least once each day by brushing or some other appropriate means. When the sludge fails to settle, its settleability may be increased by the addition of 2 ml portions of a 5 % solution of ferric chloride, repeated as necessary.

The effluent from the settling vessel D is accumulated in vessel F for twenty-four hours, following which a sample is taken after thorough mixing. Vessel F must then be carefully cleaned.

1.6. Checking measuring equipment

The surfactant content (in mg/l) of the synthetic sewage is determined immediately before use.

The surfactant content (in mg/l) of the effluent collected over twenty-four hours in vessel F should be determined analytically by the same method, immediately after collection: otherwise the samples must be preserved, preferably by freezing. The concentrations must be determined to the nearest 0,1 mg/l surfactant

Wednesday 14 January 2004

As a check on the efficiency of the process, the chemical oxygen demand (COD) or the dissolved organic carbon (DOC) of the glass fibre filtered effluent accumulated in vessel F and of the filtered synthetic sewage in vessel A is measured at least twice per week.

The reduction in COD or DOC should level off when a roughly regular daily surfactant degradation is obtained at the end of the running-in period shown in Figure 3.

The content of dry matter in the activated sludge contained in the aeration vessel should be determined twice a week in g/l. If it is more than 2,5 g/l, the excess activated sludge must be discarded.

The degradation test is performed at room temperature; this should be steady and kept between 19-24 °C.

1.7. Calculation of biodegradability

The percentage degradation of surfactant must be calculated every day on the basis of the surfactant content in mg/l of the synthetic sewage and of the corresponding effluent accumulated in vessel F.

The degradability values thus obtained should be presented graphically as in Figure 3.

The degradability of the surfactant should be calculated as the arithmetic mean of the values obtained over the twenty-one days that follow the running-in and acclimatisation period, during which degradation has been regular and the operation of the plant trouble-free. In any event the duration of the running-in period should not exceed six weeks.

The daily degradation values are calculated to the nearest 0,1 % but the final result is given to the nearest whole number.

In some cases it may be permissible to reduce the frequency of sampling but at least fourteen results collected over the twenty-one days which follow the running-in period should be used in calculating the average.

2. Determination of anionic surfactants in biodegradability tests

2.1. Principle

The method is based on the fact that the cationic dye methylene blue forms blue salts with anionic surfactants (MBAS), which can be extracted with chloroform. To eliminate interference, the extraction is first effected from alkaline solution and the extract is then shaken with acidic methylene blue solution. The absorbency of the separated organic phase is measured photometrically at the wavelength of maximum absorption of 650 nm.

2.2. Reagents and equipment

2.2.1. Buffer solution pH 10

Dissolve 24 g sodium bicarbonate, NaHCO_3 AR, and 27 g anhydrous sodium carbonate (Na_2CO_3) AR in deionised water and dilute to 1 000 ml.

2.2.2. Neutral methylene blue solution

Dissolve 0,35 g methylene blue AR in deionised water and dilute to 1 000 ml. Prepare the solution at least twenty-four hours before use. The absorbency of the blank chloroform phase, measured against chloroform must not exceed 0,015 per 1 cm of layer thickness at 650 nm.

2.2.3. Acidic methylene blue solution

Dissolve 0,35 g methylene blue AR in 500 ml deionised water and mix with 6,5 ml H_2SO_4 ($d = 1,84$ g/ml). Dilute to 1 000 ml with deionised water. Prepare the solution at least twenty-four

Wednesday 14 January 2004

hours before use. The absorbency of the blank chloroform phase, measured against chloroform must not exceed 0,015 per 1 cm of layer thickness at 650 nm.

- 2.2.4. Chloroform (trichloromethane) AR freshly distilled
- 2.2.5. Dodecyl benzene sulphonic acid methyl ester
- 2.2.6. Ethanolic potassium hydroxide solution, KOH 0,1 M
- 2.2.7. Ethanol pure, C₂H₅OH
- 2.2.8. sulphuric acid, H₂SO₄ 0,5 M
- 2.2.9. Phenolphthalein solution
Dissolve 1 g phenolphthalein in 50 ml ethanol and add 50 ml deionised water while stirring continuously. Filter off any precipitate obtained.
- 2.2.10. Methanolic hydrochloric acid: 250 ml hydrochloric acid AR and 750 ml methanol
- 2.2.11. Separating funnel, 250 ml
- 2.2.12. Graduated flask, 50 ml
- 2.2.13. Graduated flask, 500 ml
- 2.2.14. Graduated flask, 1 000 ml
- 2.2.15. Round-bottomed flask with ground glass stopper and reflux condenser, 250 ml; boiling granules
- 2.2.16. pH meter
- 2.2.17. Photometer for measurements at 650 nm, with 1 to 5 cm cells
- 2.2.18. Qualitative grade filter paper

2.3. Procedure

The samples for analysis must not be taken through a layer of foam.

After thorough cleaning with water, the equipment used for the analysis must be thoroughly rinsed with methanolic hydrochloric acid (2.2.10) and then with deionised water before using.

Filter the activated sludge plant influent and effluent to be examined immediately on sampling. Discard the first 100 ml of the filtrates.

Place a measured volume of the sample, neutralised if necessary, into a 250 ml separating funnel (2.2.11). The volume of sample should contain between 20 and 150 µg of MBAS. At the lower MBAS content, up to 100 ml of sample may be used. When using less than 100 ml, dilute to 100 ml with deionised water. Add to the sample 10 ml of buffer solution (2.2.1), 5 ml of neutral methylene blue solution (2.2.2) and 15 ml of chloroform (2.2.4). Shake the mixture uniformly and not too vigorously for one minute. After phase separation, run the chloroform layer into a second separating funnel, containing 110 ml of deionised water and 5 ml of acidic methylene blue solution (2.2.3). Shake the mixture for one minute. Pass the chloroform layer through a cotton-wool filter previously cleaned and wetted with chloroform into a graduated flask (2.2.12).

Extract the alkaline and acid solutions three times, using 10 ml of chloroform for the second and third extractions. Filter the combined chloroform extracts through the same cotton wool filter and dilute to the mark in the 50 ml flask (2.2.12) with chloroform used for rewashing the cotton wool. Measure the absorbency of the chloroform solution with a photometer at 650 nm in 1 to 5 cm cells against chloroform. Run a blank determination through the whole procedure.

Wednesday 14 January 2004

2.4. Calibration curve

Prepare a calibration solution from the standard substance dodecylbenzene sulphonic acid methyl ester (tetrapropylene type mol. wt. 340) after saponification into the potassium salt. The MBAS is calculated as sodium dodecyl benzene sulphonate (mol. wt. 348).

From a weighing pipette, weigh 400 to 450 mg of dodecyl-benzene-sulphonic-acid-methyl-ester (2.2.5) to the nearest 0,1 mg in a round-bottomed flask and add 50 ml of ethanolic potassium hydroxide solution (2.2.6) and some boiling granules. After mounting the reflux condenser, boil for one hour. After cooling, wash the condenser and ground glass joint with about 30 ml of ethanol, and add these washings to the contents of the flask. Titrate the solution with sulphuric acid against phenolphthalein until it becomes colourless. Transfer this solution to a 1 000 ml graduated flask (2.2.14), dilute to the mark with deionised water and mix.

Part of this surfactant stock solution is then further diluted. Withdraw 25 ml, transfer to a 500 ml graduated flask (2.2.13), dilute to the mark with deionised water and mix.

This standard solution contains:

$$\frac{E \times 1,023 \text{ mg MBAS per ml}}{20\,000}$$

where E is the sample weight in mg.

To establish the calibration curve, withdraw 1, 2, 4, 6, 8 ml portions of the standard solution and dilute each to 100 ml with deionised water. Then proceed as stated under item 2.3 including a blank determination.

2.5. Calculation of results

The amount of anionic surfactant (MBAS) in the sample is read from the calibration curve (2.4). The MBAS content of the sample is given by:

$$\frac{\text{mg MBAS} \times 1000}{V} = \text{MBAS mg/l}$$

where: V = ml volume of the sample used.

Express the results as sodium dodecylbenzene sulphonate (MW 348).

2.6. Expression of results

Express the results as MBAS mg/l to the nearest 0,1.

3. Determination of non-ionic surfactants in biodegradation test liquors

3.1. Principle

Surface active agents are concentrated and isolated by gas stripping. In the sample used, the quantity of non-ionic surfactant should be in the range 250—800 µg.

The stripped surfactant is dissolved in ethyl acetate.

After phase separation and evaporation of the solvent, the non-ionic surfactant is precipitated in aqueous solution with modified Dragendorff reagent (KBiI₄ + BaCl₂ + glacial acetic acid).

The precipitate is filtered, washed with glacial acetic acid and dissolved in ammonium tartrate solution. The bismuth in the solution is titrated potentiometrically with pyrrolidinedithiocarba-

Wednesday 14 January 2004

mate solution at pH 4–5 using a bright platinum indicator electrode and a calomel or silver/silver chloride reference electrode. The method is applicable to non-ionic surfactants containing 6–30 alkylene oxide groups.

The titration result is multiplied by the empirical factor of 54 for conversion to the reference substance nonylphenol condensed with 10 mols ethylene oxide (NP 10).

3.2. Reagents and Equipment

Reagents are to be made up in deionised water.

3.2.1. Pure ethyl acetate, freshly distilled.

3.2.2. Sodium bicarbonate, NaHCO_3 AR.

3.2.3. Dilute hydrochloric acid [20 ml concentrated acid (HCl) diluted to 1 000 ml with water]

3.2.4. Methanol AR, freshly distilled, stored in a glass bottle.

3.2.5. Bromocresol purple, 0,1 g in 100 ml methanol.

3.2.6. Precipitating agent: the precipitating agent is a mixture of two volumes of solution A and one volume of solution B. The mixture is stored in a brown bottle and can be used for up to one week after mixing.

3.2.6.1. Solution A

Dissolve 1,7 g bismuth nitrate, $\text{BiONO}_3 \cdot \text{H}_2\text{O}$ AR, in 20 ml glacial acetic acid, and make up to 100 ml with water. Then dissolve 65 g potassium iodide AR in 200 ml water. Mix these two solutions in a 1 000 ml measuring flask, add 200 ml glacial acetic acid (3.2.7) and make up to 1 000 ml with water.

3.2.6.2. Solution B

Dissolve 290 g barium chloride, $\text{BaCl}_2 \cdot 2\text{H}_2\text{O}$ AR, in 1 000 ml of water.

3.2.7. Glacial acetic acid 99–100 % (lower concentrations are unsuitable).

3.2.8. Ammonium tartrate solution: mix 12,4 g tartaric acid AR and 12,4 ml of ammonia solution AR ($d = 0,910$ g/ml) and make up to 1 000 ml with water (or use the equivalent amount of ammonium tartrate AR).

3.2.9. Dilute ammonia solution: 40 ml ammonia solution AR ($d = 0,910$ g/ml) diluted to 1 000 ml with water.

3.2.10. Standard acetate buffer: dissolve 40 g solid sodium hydroxide AR, in 500 ml water in a beaker and allow to cool. Add 120 ml glacial acetic acid (3.2.7). Mix thoroughly, cool and transfer to a 1 000 ml volumetric flask. Make up to the mark with water.

3.2.11. Pyrrolidinedithiocarbamate solution (known as 'carbate solution'): dissolve 103 mg sodium pyrrolidinedithiocarbamate, $\text{C}_5\text{H}_8\text{NNaS}_2 \cdot 2\text{H}_2\text{O}$, in about 500 ml water, add 10 ml of n-amyl alcohol AR and 0,5 g NaHCO_3 AR, and make up to 1 000 ml with water.

3.2.12. Copper sulphate solution (for standardisation of 3.2.11).

STOCK SOLUTION

Mix 1,249 g copper sulphate, $\text{CuSO}_4 \cdot 5\text{H}_2\text{O}$ AR, with 50 ml 0,5 M sulphuric acid and make up to 1 000 ml with water.

Wednesday 14 January 2004

STANDARD SOLUTION

Mix 50 ml stock solution with 10 ml 0,5 M H₂SO₄ and make up to 1 000 ml with water.

3.2.13. Sodium chloride AR.

3.2.14. Gas-stripping apparatus (see Figure 5).

The diameter of the sintered disc must be the same as the internal diameter of the cylinder.

3.2.15. Separating funnel, 250 ml.

3.2.16. Magnetic stirrer with magnet 25—30 mm.

3.2.17. Gooch crucible, diameter of the perforated base = 25 mm, Type G4.

3.2.18. Circular glass-fibre filter papers, 27 mm diameter with fibre diameter 0,3—1,5 µm.

3.2.19. Two filter flasks with adapters and rubber collars, 500 and 250 ml respectively.

3.2.20. Recording potentiometer fitted with a bright platinum indicator electrode and a calomel or silver/silver chloride reference electrode with a 250 mV range, with automatic burette of 20—25 ml capacity, or alternative manual equipment.

3.3. Method

3.3.1. Concentration and separation of the surfactant

Filter the aqueous sample through a qualitative filter paper. Discard the first 100 ml of the filtrate.

Into the stripping apparatus, previously rinsed with ethyl acetate, place a measured quantity of the sample, such that it contains between 250—800 µg non-ionic surfactant.

To improve the separation add 100 g sodium chloride and 5 g sodium bicarbonate.

If the volume of the sample exceeds 500 ml, add these salts to the stripping apparatus in solid form, and dissolve by passing nitrogen or air through.

If a smaller-sized sample is used, dissolve the salts in 400 ml water and then add to the stripping apparatus.

Add water to bring the level to the upper stopcock.

Cautionously add 100 ml ethyl acetate on top of the water.

Fill the wash-bottle in the gas-line (nitrogen or air) two-thirds full with ethyl acetate.

Pass a gas stream of 30—60 l/h through the apparatus; the use of a flowmeter is recommended. The rate of aeration must be increased gradually at the beginning. The gas rate must be so adjusted that the phases remain noticeably separate to minimise the mixing of the phases and the solution of the ethyl acetate in the water. Stop the gas flow after five minutes.

If there is a reduction of more than 20 % in the volume of the organic phase through solution in water, the sublation must be repeated paying special attention to the rate of gas flow.

Run off the organic phase into a separating funnel. Return any water in the separating funnel from the aqueous phase — it should only be a few ml — to the stripping apparatus. Filter the ethyl acetate phase through a dry qualitative filter paper into a 250 ml beaker.

Wednesday 14 January 2004

Put a further 100 ml ethyl acetate into the stripping apparatus and again pass nitrogen or air through for five minutes. Draw off the organic phase into the separating funnel used for the first separation, reject the aqueous phase and run the organic phase through the same filter as the first ethyl acetate portion. Rinse both the separating funnel and the filter with about 20 ml ethyl acetate.

Evaporate the ethyl acetate extract to dryness using a water-bath (fume cupboard). Direct a gentle stream of air over the surface of the solution to accelerate the evaporation.

3.3.2. Precipitation and filtration

Dissolve the dry residue from 3.3.1 in 5 ml methanol, add 40 ml water and 0,5 ml dilute HCl (3.2.3) and stir the mixture with a magnetic stirrer.

To this solution add 30 ml of precipitating agent (3.2.6) from a measuring cylinder. The precipitate forms after repeated stirring. After stirring for ten minutes leave the mixture to stand for at least five minutes.

Filter the mixture through a Gooch crucible, the base of which is covered with a glass-fibre filter paper. First wash the filter under suction with about 2 ml glacial acetic acid. Then thoroughly wash the beaker, magnet, and crucible with glacial acetic acid, of which about 40—50 ml is necessary. It is not necessary to quantitatively transfer the precipitate adhering to the sides of the beaker, to the filter, because the solution of the precipitate for the titration is returned to the precipitating beaker, and the remaining precipitate will then be dissolved.

3.3.3. Dissolution of the precipitate

Dissolve the precipitate in the filter crucible by the addition of hot ammonium tartrate solution (about 80 °C) (3.2.8) in three portions of 10 ml each. Allow each portion to stand in the crucible for some minutes before being sucked through the filter into the flask.

Put the contents of the filter flask into the beaker used for the precipitation. Rinse the sides of the beaker with a further 20 ml of tartrate solution to dissolve the rest of the precipitate.

Carefully wash the crucible, adapter and filter flask with 150—200 ml water, and return the rinsing water to the beaker used for the precipitation.

3.3.4. The titration

Stir the solution using a magnetic stirrer (3.2.16), add a few drops of bromocresol purple (3.2.5) and add the dilute ammonia solution (3.2.9) until the colour turns violet (the solution is initially weakly acid from the residue of acetic acid used for rinsing).

Then add 10 ml standard acetate buffer (3.2.10), immerse the electrodes in the solution, and titrate potentiometrically with standard 'carbate solution' (3.2.11), the burette tip being immersed in the solution.

The titration rate should not exceed 2 ml/min.

The endpoint is the intersection of the tangents to the two branches of the potential curve.

It will be observed occasionally that the inflection in the potential curve becomes flattened; this can be eliminated by carefully cleaning the platinum electrode (by polishing with emery paper).

3.3.5. Blank determinations

At the same time run a blank determination through the whole procedure with 5 ml methanol and 40 ml water, according to the instructions in 3.3.2. The blank titration should be below 1 ml,

Wednesday 14 January 2004

otherwise the purity of the reagents (3.2.3, 3.2.7, 3.2.8, 3.2.9, 3.2.10) is suspect, especially their content of heavy metals, and they must be replaced. The blank must be taken into account in the calculation of the results.

3.3.6. Control of the factor of the 'carbate solution'

Determine the factor for the carbate solution on the day of use. To do this, titrate 10 ml of the copper sulphate solution (3.2.12) with 'carbate solution' after the addition of 100 ml water and 10 ml standard acetate buffer (3.2.10). If the amount used is *a* ml, the factor *f* is:

$$f = \frac{10}{a}$$

and all the results of the titration are multiplied by this factor.

3.4. Calculation of results

Every non-ionic surfactant has its own factor, depending on its composition, particularly on the length of the alkene oxide chain. The concentration of non-ionic surfactant is expressed in relation to a standard substance — a nonyl phenol with ten ethylene oxide units (NP 10) — for which the conversion factor is 0,054.

Using this factor the amount of surfactant present in the sample is found expressed as mg of NP 10 equivalent, as follows:

$$(b - c) \times f \times 0,054 = \text{mg non-ionic surfactant as NP 10}$$

where:

b = volume of 'carbate solution' used by the sample (ml),

c = volume of 'carbate solution' used by the blank (ml),

f = factor of the 'carbate solution'.

3.5. Expression of results

Express the results in mg/l as NP 10 to the nearest 0,1.

4. Preliminary treatment of anionic surfactants to be tested

4.1. Preliminary notes

4.1.1. Treatment of samples

The treatment of anionic surface-active agents and formulated detergents prior to the determination of primary biodegradability in the confirmatory test is:

PRODUCTS	TREATMENT
Anionic surfactants	None
Formulated detergents	Alcoholic extraction followed by separation of the anionic surfactants by ion exchange

The purpose of the alcoholic extraction is to eliminate the insoluble and inorganic ingredients of the commercial product, which in some circumstances might upset the biodegradability test.

Wednesday 14 January 2004

4.1.2. Ion-exchange procedure

Isolation and separation of anionic surface active agents from soap, non-ionic and cationic surfactants are required for correct biodegradability tests.

This is achieved by an ion-exchange technique using a macro-porous exchange resin and suitable eluants for fractional elution. Thus soap, anionic and non-ionic surfactants may be isolated in one procedure.

4.1.3. Analytical control

After homogenising, the concentration of anionic surfactants in the synthetic detergent is determined according to the MBAS analytical procedure. The soap content is determined by a suitable analytical method.

This analysis of the products is necessary to calculate the quantities required for preparing fractions for the biodegradability test.

Quantitative extraction is not necessary; however, at least 80 % of the anionic surfactants should be extracted. Usually, 90 % or more is obtained.

4.2. Principle

From a homogeneous sample (powders, dried pastes and dried liquids) an ethanol extract is obtained which contains the surfactants, soap and other alcohol-soluble constituents of the synthetic detergent sample.

The ethanol extract is evaporated to dryness, dissolved in an isopropanol/water mixture and the solution obtained is passed through a strongly acidic cation exchange/macro-porous anion exchange combination heated to 50 °C. This temperature is necessary to prevent the precipitation of any fatty acids which may be present in acidic media.

Any non-ionic surfactants remain in the effluent.

Soap fatty acids are separated by extraction with ethanol containing CO₂. The anionic surfactants are then obtained as ammonium salts, by elution with an aqueous isopropanolic solution of ammonium bicarbonate. These ammonium salts are used for the degradation test.

Cationic surfactants that might upset the biodegradability test and the analytical procedure are eliminated by the cation exchanger placed above the anion exchanger.

4.3. Chemicals and equipment

4.3.1. Deionised water

4.3.2. Ethanol, 95 % (v/v) C₂H₅OH (permissible denaturant: methyl ethyl ketone or methanol)

4.3.3. Isopropanol/water mixture (50/50 v/v):

- 50 parts by volume isopropanol, CH₃CHOH.CH₃, and
- 50 parts by volume water (4.3.1)

4.3.4. Solution of carbon dioxide in ethanol (approximately 0,1 % CO₂): using a delivery tube with a built-in sinter, pass carbon dioxide, CO₂, through the ethanol (4.3.2) for ten minutes. Use fresh solutions only

4.3.5. Ammonium bicarbonate solution (60/40 v/v): 0,3 mol NH₄HCO₃ in 1 000 ml of an isopropanol/water mixture consisting of 60 parts by volume isopropanol and 40 parts by volume water (4.3.1)

4.3.6. Cation exchanger (KAT), strongly acidic, resistant to alcohol (50—100 mesh)

Wednesday 14 January 2004

- 4.3.7. Anion exchanger (AAT), macro-porous, Merck Lewatit MP 7080 (70—150 mesh) or equivalent
- 4.3.8. Hydrochloric acid, 10 % HCl (w/w)
- 4.3.9. 2 000 ml round-bottomed flask with ground glass stopper and reflux condenser
- 4.3.10. 90 mm diameter suction filter (heatable) for filter papers
- 4.3.11. 2 000 ml filter flask
- 4.3.12. Exchange columns with heating jacket and tap: inner tube 60 mm in diameter and 450 mm in height (see Figure 4)
- 4.3.13. Water-bath
- 4.3.14. Vacuum drying oven
- 4.3.15. Thermostat
- 4.3.16. Rotary evaporator
- 4.4. Preparation of extract and separation of anionic active agents

4.4.1. Preparation of extract

The quantity of surfactants necessary for the biodegradation test is about 50 g MBAS.

Normally, the quantity of product to be extracted will not exceed 1 000 g, but it may be necessary to extract further quantities of sample. For practical reasons, the quantity of product used should in most cases be limited to 5 000 g in preparing extracts for the biodegradation test.

Experience has shown that there are advantages in using a number of small extractions rather than one large extraction. The exchanger quantities specified are designed for a working capacity of 600—700 mmoles of surfactants and soap.

4.4.2. Isolation of alcohol-soluble constituents

Add 250 g of the synthetic detergent to be analysed to 1 250 ml ethanol, heat the mixture to boiling point and reflux for one hour with stirring. Pass the hot alcoholic solution through a coarse-pored suction filter heated to 50 °C and filter rapidly. Wash the flask and suction filter with approximately 200 ml hot ethanol. Collect the filtrate and filter washings in a filter flask.

In the case of pastes or liquid products to be analysed, make sure that not more than 55 g anionic surfactants and 35 g soap are contained in the sample. Evaporate this weighed sample to dryness. Dissolve the residue in 2 000 ml ethanol and proceed as described above.

In the case of powders of low apparent density (< 300 g/l) it is recommended to increase the ethanol ratio in the relation 20:1. Evaporate the ethanolic filtrate to dryness, preferably by means of a rotary evaporator. Repeat the operation if a greater quantity of extract is required. Dissolve the residue in 5 000 ml isopropanol/water mixture.

4.4.3. Preparation of ion-exchange columns

CATION-EXCHANGE COLUMN

Place 600 ml cation-exchange resin (4.3.6) in a 3 000 ml beaker and cover by adding 2 000 ml hydrochloric acid (4.3.8). Allow to stand for at least two hours, with occasional stirring.

Wednesday 14 January 2004

Decant the acid and transfer the resin into the column (4.3.12) by means of deionised water. The column should contain a glass-wool plug.

Wash the column with deionised water at a rate of 10—30 ml/min until the eluate is free of chloride.

Displace the water with 2 000 ml isopropanol/water mixture (4.3.3) at a rate of 10—30 ml/min. The exchange column is now ready for operation.

ANION-EXCHANGE COLUMN

Place 600 ml anion-exchange resin (4.3.7) in a 3 000 ml beaker and cover by adding 2 000 ml deionised water.

Allow the resin to swell for at least two hours.

Transfer the resin into the column by means of deionised water. The column should contain a glass-wool plug.

Wash the column with 0,3 M ammonium bicarbonate solution (4.3.5) until free of chloride. This requires about 5 000 ml solution. Wash again with 2 000 ml deionised water. Displace the water with 2 000 ml isopropanol/water mixture (4.3.3) at a rate of 10—30 ml/min. The exchange column is now in the OH-form and ready for operation.

4.4.4. Ion-exchange procedure

Connect the exchange columns so that the cation-exchange column is placed on top of the anion-exchange column.

Heat the exchange columns to 50 °C using thermostatic control.

Heat 5 000 ml of the solution obtained in item 4.4.2 to 60 °C and pass the solution through the exchanger combination at a rate of 20 ml/min. Wash the columns with 1 000 ml hot isopropanol/water mixture (4.3.3).

To obtain the anionic surface active agents (MBAS), disconnect the KAT column. Using 5 000 ml ethanol/CO₂ solution at 50 °C (4.3.4), elute the soap fatty acids out of the KAT column. Reject the eluate.

Then elute the MBAS out of the AAT column with 5 000 ml ammonium bicarbonate solution (4.3.5). Evaporate the eluate to dryness using a steam bath or in a rotary evaporator.

The residue contains the MBAS (as ammonium salt) and possible non-surfactant anionics that have no detrimental effect on the biodegradation test. Add deionised water to the residue until a definite volume is obtained and determine the MBAS content in an aliquot. The solution is used as a standard solution of the anionic synthetic detergents for the biodegradation test. The solution should be kept at a temperature below 5 °C.

4.4.5. Regeneration of ion exchange resins

The cation exchanger is rejected after use.

Passing an additional quantity of ammonium bicarbonate solution (4.3.5) down the column at a flow rate of approximately 10 ml/min until the eluate is free from anionic surfactants (methylene blue test) regenerates the anion-exchange resin.

Then pass 2 000 ml isopropanol/water mixture (4.3.3) down the anion exchanger to wash. The anion exchanger is again ready for operation.

Wednesday 14 January 2004

5. Preliminary treatment of non-ionic surfactants to be tested

5.1. Preliminary notes

5.1.1. Treatment of samples

The treatment of non-ionic surface-active agents and formulated detergents prior to the determination of primary biodegradability in the confirmatory test is:

PRODUCTS	TREATMENT
Non-ionic surfactants	None
Formulated detergents	Alcoholic extraction followed by separation of the non-ionic surfactants by ion exchange

The purpose of the alcoholic extraction is to eliminate the insoluble and inorganic ingredients of the commercial product, which in some circumstances might upset the biodegradability test.

5.1.2. Ion-exchange procedure

Isolation and separation of non-ionic surface active agents from soap, anionic and cationic surfactants are required for correct biodegradability tests.

This is achieved by an ion exchange technique using a macro-porous exchange resin and suitable eluants for fractional elution. Thus soap, anionic and non-ionic surfactants may be isolated in one procedure.

5.1.3. Analytical control

After homogenising, the concentration of anionic and non-ionic surfactants in the detergent is determined according to the MBAS and BiAS analytical procedure. The soap content is determined by a suitable analytical method.

This analysis of the product is necessary to calculate the quantities required preparing fractions for the biodegradability tests.

Quantitative extraction is not necessary; however, at least 80 % of the non-ionic surfactants should be extracted. Usually, 90 % or more is obtained.

5.2. Principle

From a homogeneous sample (powders, dried paste and dried liquids) an ethanol extract is obtained which contains the surfactants, soap and other alcohol-soluble constituents of the detergent sample.

The ethanol extract is evaporated to dryness, dissolved in an isopropanol/water mixture and the solution obtained is passed through a strongly acidic cation exchange/macro-porous anion exchange combination heated to 50 °C. This temperature is necessary to prevent the precipitation of any fatty acids which may be present in acidic media. The non-ionic surfactants are obtained from the effluent by evaporation.

Cationic surfactants, which might upset the degradation test and the analytical procedure, are eliminated by the cation exchanger placed above the anion exchanger.

5.3. Chemicals and equipment

5.3.1. Deionised water

5.3.2. Ethanol, C₂H₅OH 95 % (v/v) (permissible denaturant: methyl-ethyl ketone or methanol)

Wednesday 14 January 2004

- 5.3.3. Isopropanol/water mixture (50/50 v/v):
- 50 parts by volume isopropanol, $\text{CH}_3\text{CHOH.CH}_3$, and
 - 50 parts by volume water (5.3.1)
- 5.3.4. Ammonium bicarbonate solution (60/40 v/v):
- 0,3 mol NH_4HCO_3 in 1 000 ml of an isopropanol/water mixture consisting of 60 parts by volume isopropanol and 40 parts by volume water (5.3.1)
- 5.3.5. Cation exchanger (KAT), strongly acidic, resistant to alcohol (50—100 mesh)
- 5.3.6. Anion exchanger (AAT), macro-porous, Merck Lewatit MP 7080 (70—150 mesh) or equivalent
- 5.3.7. Hydrochloric acid, 10 % HCl w/w
- 5.3.8. 2 000 ml round-bottomed flask with ground glass stopper and reflux condenser
- 5.3.9. 90 mm diameter suction Filter (heatable) for filter papers
- 5.3.10. 2 000 ml filter flask
- 5.3.11. Exchange columns with heating jacket and tap: inner tube 60 mm in diameter and 450 mm in height (see Figure 4)
- 5.3.12. Water-bath
- 5.3.13. Vacuum drying oven
- 5.3.14. Thermostat
- 5.3.15. Rotary evaporator

5.4. Preparation of extract and separation of non-ionic active agents

5.4.1. Preparation of extract

The quantity of surfactant necessary for the degradation test is about 25 g BiAS.

In preparing extracts for the degradation tests, the quantity of product to be used should be limited to a maximum of 2 000 g. Therefore it may be necessary to carry out the operation two or more times in order to obtain sufficient quantity for the degradation tests.

Experience has shown that there are advantages in using a number of small extractions rather than one large extraction.

5.4.2. Isolation of alcohol-soluble constituents

Add 250 g of the synthetic detergent to be analysed to 1 250 ml ethanol and heat the mixture to boiling point and reflux for one hour with stirring. Pass the hot alcoholic solution through a coarse-pored suction filter heated to 50 °C and filter rapidly. Wash the flask and suction filter with approximately 200 ml hot ethanol. Collect the filtrate and filter washings in a filter flask.

In the case of pastes or liquid products to be analysed, make sure that not more than 25 g anionic surfactants and 35 g soap are contained in the sample. Evaporate this weighed sample to dryness. Dissolve the residue in 500 ml ethanol and proceed as described above.

Wednesday 14 January 2004

In the case of powders of low apparent density (< 300 g/l) it is recommended to increase the ethanol ratio in the relation 20:1.

Evaporate the ethanolic filtrate to complete dryness, preferably by means of rotary evaporator. Repeat the operation if a greater quantity of extract is required. Dissolve the residue in 5 000 ml isopropanol/water mixture.

5.4.3 Preparation of ion-exchange columns

CATION-EXCHANGE COLUMN

Place 600 ml cation-exchange resin (5.3.5) in a 3 000 ml beaker and cover by adding 2 000 ml hydrochloric acid (5.3.7). Allow to stand for at least two hours, with occasional stirring.

Decant the acid and transfer the resin into the column (5.3.11) by means of deionised water. The column should contain a glass-wool plug. Wash the column with deionised water at a rate of 10—30 ml/min until the eluate is free of chloride.

Displace the water with 2 000 ml isopropanol/water mixture (5.3.3) at a rate of 10—30 ml/min. The exchange column is now ready for operation.

ANION-EXCHANGE COLUMN

Place 600 ml anion-exchange resin (5.3.6) in a beaker and cover by adding 2 000 ml deionised water. Allow the resin to swell for at least two hours. Transfer the resin into the column by means of deionised water. The column should contain a glass-wool plug.

Wash the column with 0,3 M ammonium bicarbonate solution (5.3.4) until free of chloride. This requires about 5 000 ml solution. Wash again with 2 000 ml deionised water.

Displace the water with 2 000 ml isopropanol/water mixture (5.3.3) at a rate of 10—30 ml/min. The exchange column is now in the OH form and ready for operation.

5.4.4. Ion-exchange procedure

Connect the exchange columns so that the cation-exchange column is placed on top of the anion-exchange column. Heat the exchange columns to 50 °C using thermostatic control. Heat 5 000 ml of the solution obtained in item 5.4.2 to 60 °C and pass the solution through the exchanger combination at a rate of 20 ml/min. Wash the columns with 1 000 ml hot isopropanol/water mixture (5.3.3).

To obtain the non-ionic surfactants collect the filtrate and filter washings and evaporate to dryness, preferably by means of a rotary evaporator. The residue contains the BiAS. Add deionised water until a defined volume is obtained and determine the BiAS content in an aliquot. The solution is used as a standard solution of non-ionic surfactants for the degradation test. The solution should be kept at a temperature below 5 °C.

5.4.5. Regeneration of ion exchange resins

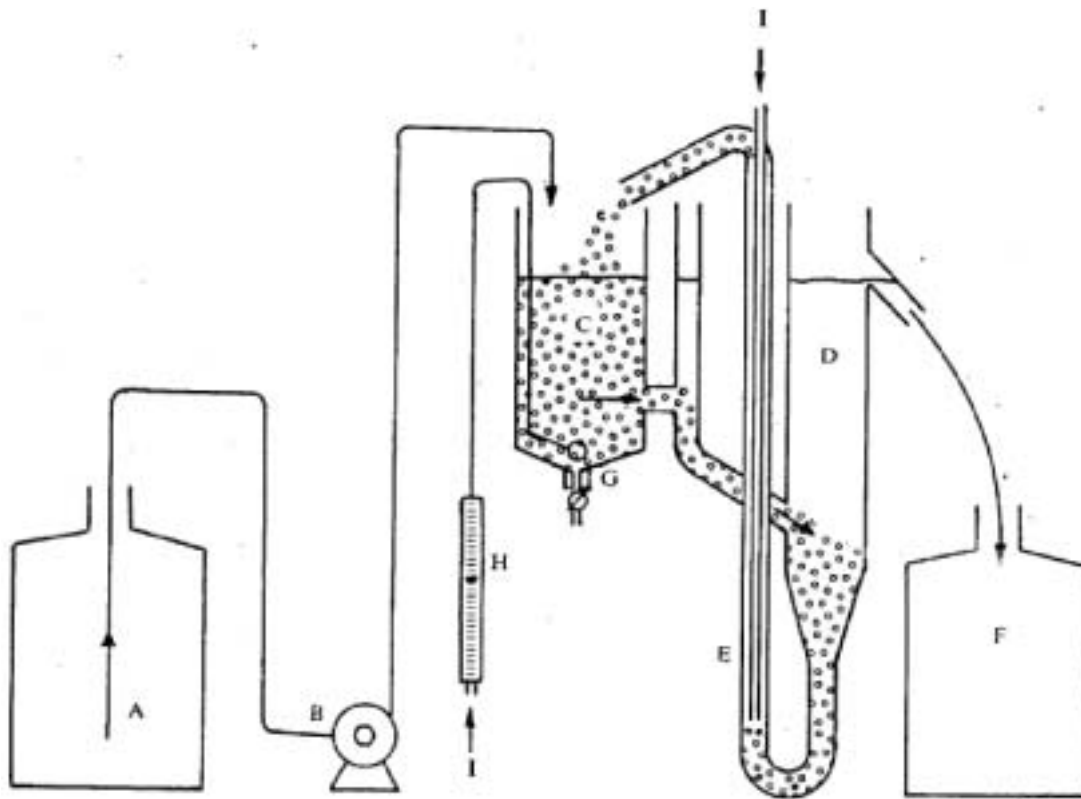
The cation exchanger is rejected after use.

Passing about 5 000—6 000 ml of ammonium bicarbonate solution (5.3.4) down the column at a flow rate of approximately 10 ml/min until the eluate is free from anionic surfactants (methylene blue test) regenerates the anion-exchange resin. Then pass 2 000 ml isopropanol/water mixture (5.3.3) down the anion exchanger to wash. The anion exchanger is again ready for operation.

Wednesday 14 January 2004

Figure 1

Activated sludge plant: overviews



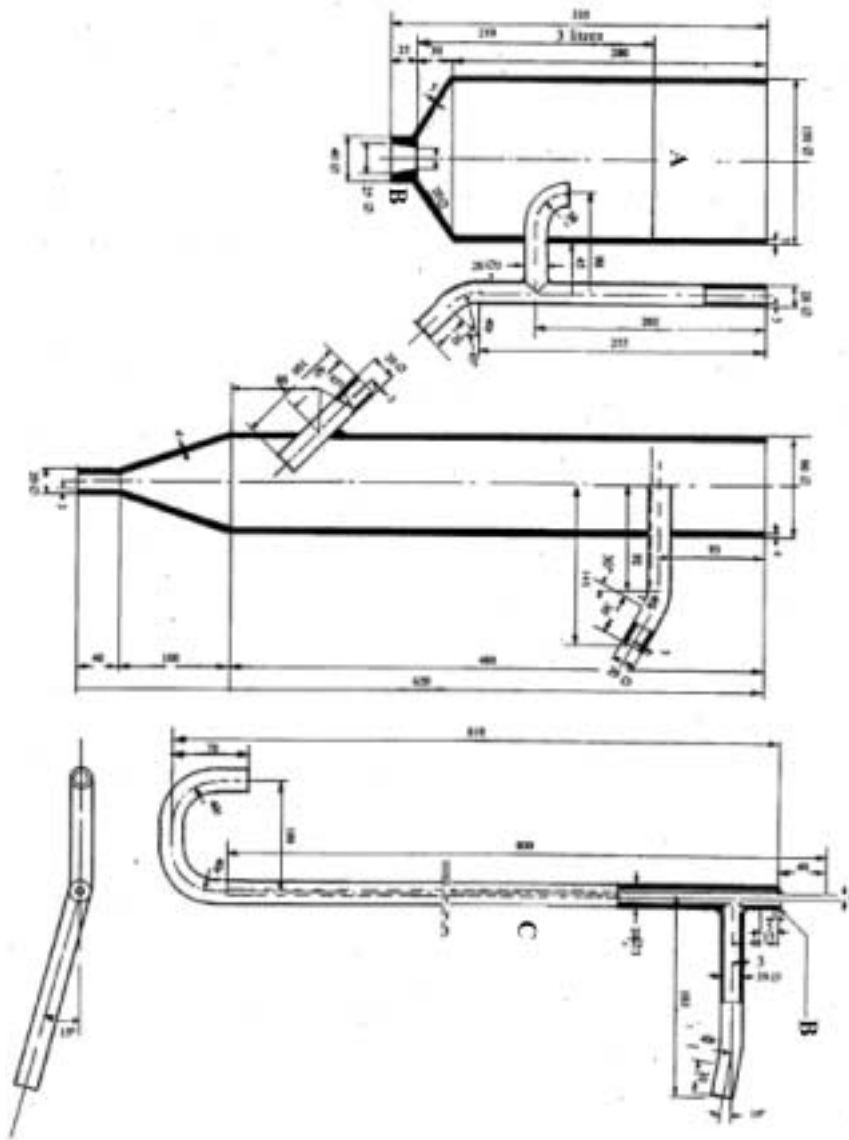
- A. Storage vessel
- B. Dosing device
- C. Aeration chamber (three litres capacity)
- D. Settling vessel
- E. Air-lift pump
- F. Collector
- G. Sintered aerator
- H. Air-flow meter
- I. Air

Wednesday 14 January 2004

Figure 2

Activated sludge plant: detail

(dimensions in millimetres)

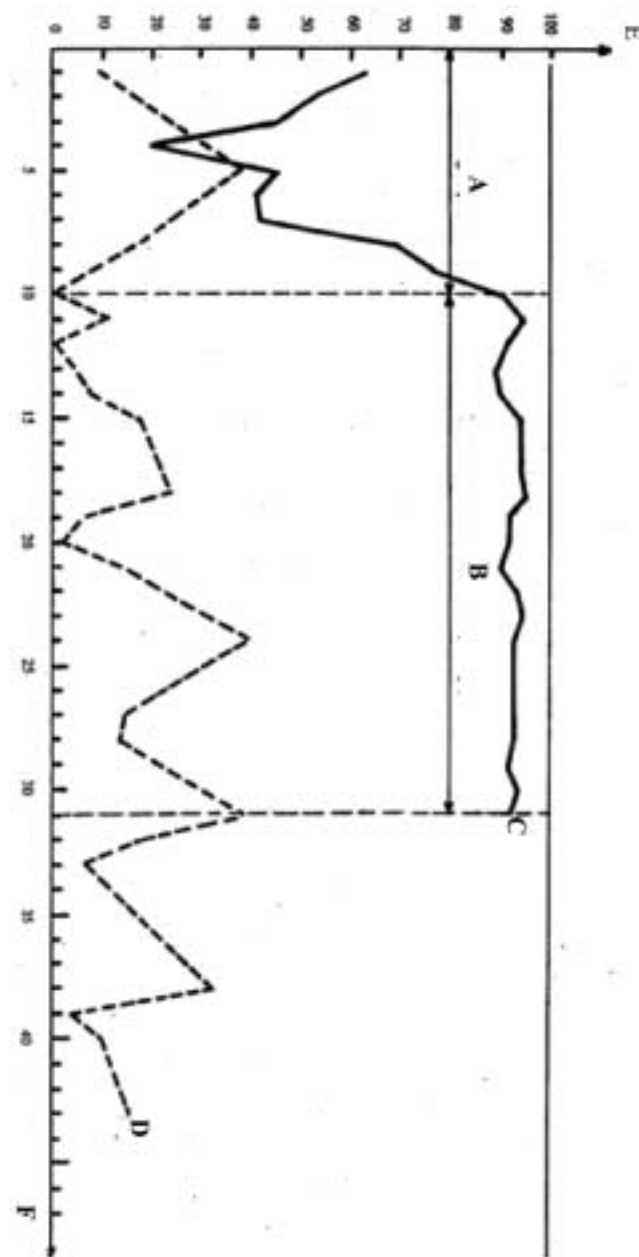


- A. Liquid level
- B. Hard PVC
- C. Glass or waterproof plastic (hard PVC)

Wednesday 14 January 2004

Figure 3

Calculation of biodegradability — Confirmatory test



- A. Running-in period
- B. Period used for calculation (twenty-one days)
- C. Readily biodegradable surfactant
- D. Surfactant not readily biodegradable
- E. Biodegradation (%)
- F. Time (days)

Wednesday 14 January 2004

Figure 4

Heated exchange column

(dimensions in millimetres)

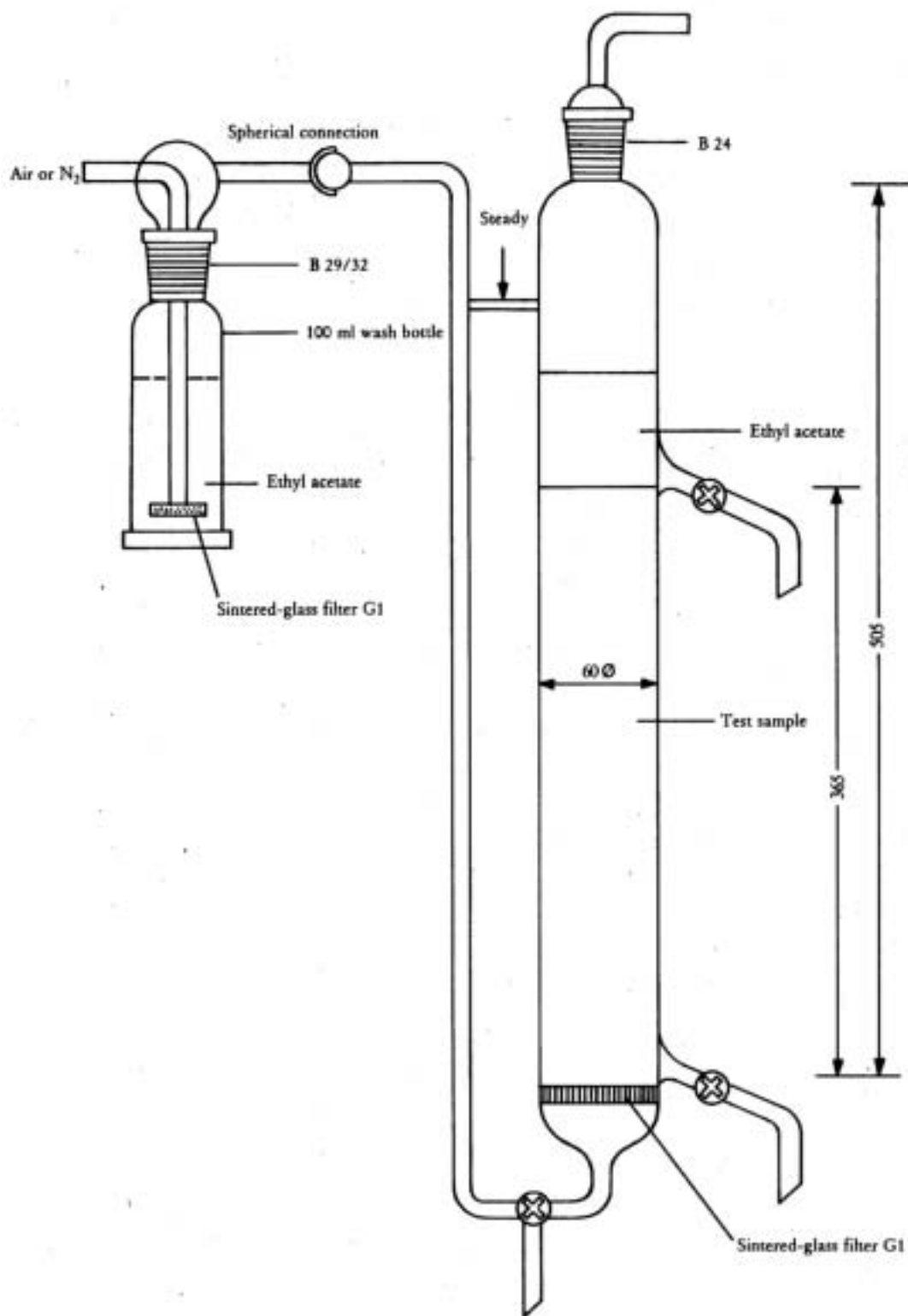


Wednesday 14 January 2004

Figure 5

Gas stripping apparatus

(dimensions in millimetres)



Wednesday 14 January 2004

P5_TA(2004)0018

Services of general interest

European Parliament resolution on the Green Paper on services of general interest (COM(2003) 270 — 2003/2152(INI))

The European Parliament,

- having regard to the Commission Green Paper (COM(2003) 270),
- having regard to Article 36 of the Charter of Fundamental Rights of the European Union concerning access to services of general economic interest,
- having regard to Articles 2, 5, 16, 73, 86, 87, 88 and 295 of the EC Treaty,
- having regard to Article 16 of the EC Treaty, as strengthened by the Treaty of Amsterdam,
- having regard to its previous resolutions on services of general interest (SGI), in particular its resolution of 13 November 2001 on the Commission Communication on 'Services of general interest in Europe' ⁽¹⁾, and to its resolution of 17 December 1997 on the Commission Communication entitled 'Services of general interest in Europe' ⁽²⁾,
- having regard to sectoral directives of the European Parliament and of the Council on postal, telecommunications, energy and transport services,
- having regard to proposals, presented by the Commission, for directives of the European Parliament and of the Council on the coordination of procedures for the award of public supply contracts, public service contracts and public works contracts presented by the Commission (COM(2000) 275) ⁽³⁾ and coordinating the procurement procedures of entities operating in the water, energy and transport sectors (COM(2000) 276) ⁽⁴⁾,
- having regard to the Presidency Conclusions of the Lisbon Council of 23 and 24 March 2000, and in particular paragraphs 17 and 19 thereof, and to the requirements submitted to the Commission, the Council and Member States therein,
- having regard to the Presidency Conclusions of the Nice European Council on services of general interest and the statement on services of general economic interest of 11 December 2000,
- having regard to the Presidency Conclusions of the Laeken European Council on services of general interest of 15 December 2001,
- having regard to Articles I.5, II.36 and III.6 of the draft Constitutional Treaty,
- having regard to the case-law of the European Court of Justice relating to services of general interest, and in particular to the Chronopost judgment of 3 July 2003 in cases C-85/01 P, C-93/01 P and C-94/01 P, and the Altmark judgment of 24 July 2003 in case C-280/00,
- having regard to its resolution of 12 March 2003 ⁽⁵⁾ on the 'General Agreement on Trade in Services (GATS) within the WTO, including cultural diversity', which concerns, inter alia, the protection of services of general interest in the EU in the context of negotiations within the WTO,

⁽¹⁾ OJ C 140 E, 13.6.2002, p. 153.

⁽²⁾ OJ C 14, 19. 1. 1998, p. 74.

⁽³⁾ OJ C 29 E, 30.1.2001, p. 11.

⁽⁴⁾ OJ C 29 E, 30.1.2001, p. 112.

⁽⁵⁾ P5_TA(2003)0087.

Wednesday 14 January 2004

- having regard to the public conference held on this subject on 11 June 2003 by the Committee on Economic and Monetary Affairs,
 - having regard to Rules 47(2) and 163 of its Rules of Procedure,
 - having regard to the report of the Committee on Economic and Monetary Affairs, and to the opinions of the Committee on Legal Affairs and the Internal Market, the Committee on Industry, External Trade, Research and Energy, the Committee on Employment and Social Affairs and the Committee on Regional Policy, Transport and Tourism (A5-0484/2003),
- A. whereas services of general interest constitute an integral part of the economic and social system in each Member State as well as of the European social model as a whole; whereas, in particular in the area of services of general economic interest, they display very different characteristics from one Member State to another,
- B. whereas the availability of efficient services of general interest, including those supported by network infrastructure, represents a key objective in Member States' economic and social policies,
- C. whereas in accordance with Article 295 of the EC Treaty, the European Union is neutral in relation to forms of property; whereas Article I-5 (1) of the draft Constitutional Treaty draws attention to the significance of regional and local self-government,
- D. whereas the success in establishing the single market and the priorities established by the authors of the Treaty of Rome (opening-up of markets and growth in trade in response to competition) should lead the Union to concern itself with introducing efficient, high-performance services of general interest for all,
- E. whereas economic union is based on the internal market and the rules of competition, and Member States have competence for providing and executing services of general interest,
- F. whereas recognition of the specific situation in rural areas (socially disadvantaged areas, marginal conditions, etc) merits special consideration,
- G. whereas, in relation to the compatibility between the rules of the internal market and competition and the smooth operation of services of general interest, more legal certainty must be created in order to guarantee Member State competence for the provision of services of general interest,
- H. whereas liberalisation in leading sectors in the internal market is a factor in technological progress and economic efficiency and can provide benefits to citizens such as a wider choice of services and better value for money, but an in-depth assessment of its impact remains to be accomplished; whereas legal uncertainty, dominant positions and market abuses can nullify both the freedom of the market and the smooth functioning of services of general interest,
- I. whereas in an increasingly integrated European market, citizens and enterprises need efficient services of general interest and trans-European networks; whereas the success of the Union's competitiveness and growth strategy, as laid down in the Presidency Conclusions of the Lisbon European Council, designed to make Europe the most competitive and dynamic knowledge economy in the world, also depends on them,
- J. whereas Article 16 of the EC Treaty, as strengthened by the Treaty of Amsterdam, calls on the Community and on Member States to ensure, within the framework of their powers, the supply of services of general economic interest; whereas that commitment is enshrined in the Charter of Fundamental Rights,

Wednesday 14 January 2004

- K. whereas in the interpretation of the specific provisions of the Treaties concerning services of general economic interest (such as Article 86(2) of the EC Treaty), neither the Commission nor the Court of Justice case-law have, as yet, ensured legal certainty or a sufficiently consistent operational framework,
- L. whereas the draft Constitutional treaty includes important provisions concerning services of general economic interest, in particular: Article I.3, which makes economic, social and territorial cohesion one of the objectives of the Union, and Article I.5, which refers to local and regional self-government in terms of respect by the Union for essential State functions,
- M. considers, however, that the wording of Article III.6 must specify that European law will be applied without prejudice to the rights of the Member States, within a constitutional framework, to furnish, execute and finance these services,
- N. whereas services of general economic interest have a direct effect on the operation of the internal market; whereas Article 95 should provide the legal basis for the formulation of Community action in this sphere,
- O. whereas under Article 16 of the EC Treaty, added by the Treaty of Amsterdam, services of general economic interest are already called upon to play an essential role in the promotion of social and territorial cohesion and, consequently, the guaranteeing of certain basic principles in their operation — such as the universality of the services, continuity, affordability and quality — is a fundamental element in the shaping of European general interest,
- P. whereas the distinction made in the Green Paper between, firstly, network industries, secondly, other services of general economic interest and, thirdly, services of general interest of a non-economic nature is an appropriate one, and whereas sector-specific Community legislation applies more or less automatically only in the second case, and whereas projects going beyond this must be discussed individually and must be compatible with the principle of subsidiarity,
- Q. whereas, in many cases, public contracts for supply, services and public works are connected with the provision of services of general interest,
- R. whereas care must be taken to ensure conditions for fair competition between publicly funded and other broadcasters, without undermining the right of Member States to fund public service broadcasters and to define their public service remit,
- S. whereas the system of public broadcasting is directly related to the democratic, social and cultural needs of society in the Member States and is necessary in order to preserve media pluralism; whereas, in this connection, trading conditions and competition in the Community must not be affected to an extent which would be contrary to the common interest, while the realisation of the public service remit must be ensured,
- T. whereas the model of the eco-social market economy constitutes the European model for the future, which in turn incorporates the fundamental principles of the Lisbon objectives and is embodied in Article I-3 (3) of the draft Constitution,
- U. whereas, in its most recent judgment on the issue of aid (Altmark judgment of 24 July 2003), the European Court of Justice precisely defined the conditions for the financing of general interest services through state aid, and whereas those conditions, as defined, constitute a reliable criterion for all involved,

Wednesday 14 January 2004

- V. whereas sectoral EU directives on services of general interest in network industries and other sectors in which market opening has been achieved or has begun, provide a reliable framework for greater competition and compliance with the conditions of equality of access, security of supply, continuity, high quality and legal certainty as well as of democratic accountability, by defining 'universal service' and setting up independent regulatory authorities,
- W. whereas, in the preamble to the GATS, it is left to the Members of the WTO to regulate the supply of services within their territories in order to meet national policy objectives, and whereas the GATS does not prescribe privatisation or deregulation of services of general interest, this right to regulate in the interest of public policy must be defended by the Commission in international trade negotiations;
1. Welcomes the appearance of the Green Paper on services of general interest as a Commission initiative, and the intensive consultation that followed; supports this commitment to debate and work on a better understanding of the variety of services of general interest;
 2. Underlines that services of general interest are complex and constantly evolving, and that the organisation of these services is different in all Member States according to cultural traditions and geographical conditions;
 3. Stresses that services of general interest must guarantee citizens equality of access and treatment, security of supply, continuity and high quality at affordable prices or, where the social situation makes it necessary, free of charge;
 4. Points out, moreover, that the decisive factor is not who provides services of general interest, but rather that quality standards and an equitable social balance be maintained and that the criteria of provision be based on reliability of supply and continuity; welcomes the Commission's statement to the effect that it remains neutral as to whether services of general interest are provided by public-sector or private undertakings;
 5. Calls for a legal framework to be drawn up under the codecision procedure and respecting the subsidiarity principle, when the internal market and competition rules are being implemented;
 6. Calls on the Commission to present a follow-up, by April 2004 at the latest, in order to draw the lessons from the Green Paper consultations and to clearly define its position on a possible legal framework;
 7. Considers it necessary, in the light of the problems encountered with liberalisation in certain sectors, taking as an example the rail transport sector in Great Britain, to assess, on the basis of a pluralist, open approach, the impact on employment, users' needs, safety, the environment, and social and territorial cohesion, before initiating new phases of liberalisation;
 8. Notes that the liberalisation of key public services and the introduction of competition has, in some cases, delivered major benefits to consumers in terms of innovation, quality, choice and lower prices, in other cases the very existence of public services has been jeopardised by the rule of the market mechanism;
 9. Believes, therefore, that the review being undertaken in the context of the Green Paper should not lead to changes in the approach taken at sectoral level;
 10. Notes the success of sector-specific regulations, notably in the field of energy and communications, and considers that this approach should be expanded into other sectors;

Wednesday 14 January 2004

11. Strongly supports the provision of high-quality, value for money public services and the right of Member States to fund public services from taxation, where they consider this to be appropriate; notes, moreover, that Member States may often choose to fund public services from taxation, while, at the same time, leaving the organisation and provision of those services to the private or voluntary sector; Member States should not be expected to run public services merely on the basis that they fund such services; further notes that where Member States choose to make use of the private and voluntary sector in this way, there is significant potential to improve the quality and efficiency of service provision by opening up cross-border competition;
12. Considers that public radio and television broadcasters have a public service remit and play a major role in preserving cultural diversity and identity; stresses that the Member States must therefore continue to have the right to fund public radio and television broadcasters and to define their public service remit;
13. Welcomes the liberalisation in the fields of telecommunications, postal services, transport and energy, which has led to modernisation, interconnection and integration of the sectors, price reductions through increased competition, and the creation of almost one million jobs across the European Union;
14. Highlights the fact that liberalisation has not been to the detriment of the provision of universal service;
15. Stresses that the EU's internal market policy has led to better quality, lower prices and better availability at a high technological level;
16. Acknowledges the existence of laws in some sectors and observes that the liberalisation of telecommunication services is an example of the supply of services in a competitive context;

Objectives and legal framework

17. Considers that any rules intended to be applied more widely must be based exclusively on the legal basis of the European Treaties in force, and that the Constitution cannot and must not be invoked until after it has been ratified;
18. Reiterates the fundamental importance of the subsidiarity principle, in accordance with which the competent authorities of the Member State are free to make their choice of missions, organisation and financing arrangements for services of general interest and services of general economic interest; stresses that no directive can lay down a uniform European definition of services of general interest, since their definition and structuring must continue to fall exclusively within the competence of Member States and their constitutionally established subdivisions;
19. Points out that the task at Community level for services of general interest is to guarantee their exercise within the internal market and, notably, to ensure that competition rules are compatible with public service obligations; underlines that the EU can also act in support of Member States and promote projects of general European interest;
20. Considers that it is neither possible nor relevant to draw up common definitions of services of general interest, or of the public-service obligations resulting from them, but that the European Union must lay down common principles, including the following: universality and equality of access, continuity, security and adaptability; quality, efficiency and affordability, transparency, protection of less well-off social groups, protection of users, consumers and the environment, and citizen participation, taking into account circumstances which are specific to each sector;

Wednesday 14 January 2004

Principles and criteria for defining services of general interest and services of general economic interest

21. Notes that for many services of general interest, the economic/non-economic distinction is extremely difficult to make on account of the fact that, due to the dynamic character of these services, its borderline is rapidly evolving; proposes, in that connection, that the following criteria be used to distinguish between economic and non-economic services: purpose of provision and supply (commercial or non-commercial); percentage of public-sector funding; level of investment; profit-motive, as distinct from covering costs; benefits as between local supply provision and a Europe-wide tendering requirement; commitment to guaranteeing social rights; furtherance of social inclusion and integration; considers that these criteria can also be used to set up exemptions to the general competition rules in the case of economic services of general interest;

22. Points out, in accordance with all its previous resolutions, that services of general interest provided as essential functions by public authorities, such as education, public health, public and social housing and social services of general interest assuming functions of social security and social inclusion, do not fall within the scope of EU competition law and should only be subject to supervision by the Commission as to any apparent abuse of discretionary power in defining such services; considers that the same should apply to services of general interest aiming at maintaining or increasing pluralism of information and cultural diversity; urges the Commission to defend this position in WTO and GATS negotiations;

23. Points out that in the case of services of general interest and services of general economic interest provided on the responsibility of local and regional public authorities, the conditions for exercising freedom of administration are fundamental, subject to the requirements of transparency, the proper functioning of the internal market and the rules on state aid and competition;

24. Points out that, in general, many services of general interest can be provided under fair competition, and stresses that private and public-sector undertakings must be dealt with essentially on equal terms in that connection;

Financing and organisation

25. Welcomes the effect of the Altmark judgment in confirming, by way of European case law, that financial compensation on the basis of obligations to provide a public service is not governed by the rules of State aid once it begins to meet four inter-related conditions, namely, clarity of obligations, transparency of calculation parameters, proportionality, public-service tendering procedure or comparison with a reference enterprise's costs;

26. Notes, nevertheless, the persistence of uncertainties relating to the problem of the method of calculating relevant costs, and to the fact that other transparent and non-discriminatory public procedures are not referred to in the judgment; calls on the Commission not to use Article 86(3) of the Treaty in order to draft a directive to ensure compatibility with Article 86(2) of the Treaty; prefers a tentative waiver ruling, so that a procedure of codecision can, thereafter, specify the general validation conditions;

27. Points out that, at present, different forms of financing and organisation exist in the Member States; draws attention to the principle that the internal market and competition must not be restricted any more than necessary, and considers an examination of the different financing arrangements as appropriate in order to determine which of them comes closest to meeting those conditions;

Wednesday 14 January 2004

28. Hopes that the Community legal framework for aid will guarantee diversity of financing arrangements — grant of exclusive rights, subsidies, tariff averaging, operator-financed funds;
29. Stresses that calculating the actual costs of services of general economic interest constitutes a problem, and calls for clear rules that will allow for transparency in determining the costs of providing services of general economic interest; calls, furthermore, for the financing mechanisms introduced by Member States and the Community to comply, in particular, with the following criteria: the least possible distortion of competition, the highest possible efficiency in the use of funds, attractive prices, high contribution to long-term investment, social and territorial cohesion, continuity and the greatest possible security of supply;
30. Points out that it is not important that services of general, general economic or even public interest be carried out by the public sector, but rather that it may be freely decided whether services of this kind are to be performed by the public sector itself or by self-employed or private businesses;
31. Highlights the fact that services are provided by the private sector and especially by those in the professions, which is appropriate in the interests of ensuring a high level of service and economic efficiency in conjunction with appropriate use of market mechanisms, whilst fully protecting public interests through supervision and self-regulation according to the particular circumstances;
32. Points out that the fundamental obligation on the public sector to apply fair and appropriate tendering procedures in accordance with legislative requirements at European and Member State level can be an effective mechanism for preventing inappropriate restrictions on competition by enabling, at the same time, the public authorities themselves to lay down and monitor conditions for ensuring quality, availability, social standards and compliance with environmental requirements;
33. Notes the importance of transparency in the arrangements made for funding publicly-funded broadcasters as an important means of ensuring fair competition between publicly-funded and other broadcasters;
34. Notes the importance in ensuring competition in the banking sector and the elimination of state aids for banks;
35. Calls, in order to ensure compliance with the subsidiarity principle, for the right of local and regional authorities to 'self-produce' services of general interest independently to be recognised, provided that the direct-management operator does not compete outside the territory concerned; calls, in accordance with its position on the public service contract directives, for local authorities to be authorised to entrust services to distinct entities without tenders if their supervision is analogous to that exercised over their own services and they conduct their main activities by that means;
36. Calls, similarly, for recognition of other forms of choice of services of general economic interest by public authorities, such as concessions and public-private partnerships, with common principles for transparency of contracts, stability, duration and equitable risk-sharing;
37. Considers, in addition, that operators active on a competitive market, whatever their legal status, must be treated equally under fiscal legislation; considers, in particular, that the turnover tax exemption which public-sector undertakings enjoy in relation to certain activities violates the principle of competition-neutrality;

Wednesday 14 January 2004

38. Underlines the importance of always providing citizens with a free choice as regards services of general interest, and to secure high-quality services at competitive prices;

Sectoral regulations

39. Welcomes the sectoral liberalisation achieved hitherto and appreciates the fact that consumers with a low income, in particular, have benefited from the liberalisation, notable in the telecommunication and energy sectors;

40. States that, notwithstanding the fact that existing sectoral directives have not always achieved all their objectives for the creation of a large internal market in the case of energy or for establishment of a level playing field in the case of telecommunications, these deficiencies are often due to either the non-application or incorrect application of Community rules by Member States, or to the unsatisfactory compromises reached by Member States on some provisions of the relevant directives;

41. Emphasises that this successful outcome has only been possible thanks to the activities of national regulatory authorities during the transitional phase, and that this applies equally to other sectors; stresses that experience to date in the various industry sectors shows, however, that greater cooperation and integration of national regulatory practice at European level is needed;

42. Currently rejects the option of European regulators at sectoral level, but calls for the strengthening of coordination and cooperation between the authorities responsible for national regulations in order to make the latter more consistent;

43. Calls on the Member States, in connection with the liberalisation of electricity markets, to implement the Community Directive in a consistent manner in terms of timing and substance, in order to prevent new distortion of competition;

44. Is convinced that the liberalisation that has taken place to date in the gas market is insufficient, and that it is only through the legal unbundling of gas transportation and sales by 2007 that genuine competition can be achieved;

45. Stresses that further, gradual liberalisation of postal services is appropriate on the basis of the EU concept of universal service, with a view to enabling customers to benefit from reliable services at reasonable prices throughout the respective territory;

46. Reminds the Commission that in the aforementioned resolution of 13 November 2001, it called on it to submit expert opinions and proposals with regard to waste management to ensure that waste is disposed of safely and recycled ecologically even without obligations for tendering and permits, by establishing a market economy framework;

47. Rejects efforts to make water and waste-disposal services subject to single market sectoral directives, considers that liberalisation of water supply (including wastewater disposal) should not be carried out in view of the distinctive regional characteristics of the sector and local responsibility for provision of drinking water as well as various other conditions relating to drinking water; calls, however, without going as far as liberalisation, for water supply to be 'modernised' with economic principles in accordance with quality and environment standards and the needs of efficiency;

48. Takes the view that water and waste services should not be subject to Community sectoral directives, but emphasises the fact that the Union should keep its full responsibility for these sectors as regards quality and environment protection standards;

49. Points out that in the case of network industries providing services of general economic interest, where the legislator has decided to establish a single market, specific sectoral directives are necessary;

Wednesday 14 January 2004

whereas Member States, in accordance with their traditions, can, if they so wish, lay down public-service obligations, in particular for universal service, safety and security; points out that specific public-service obligations for interconnection and security of supply, and the task of ensuring social and territorial cohesion also fall within the competence of Member States;

Assessment

50. Considers that a regular evaluation needs to be carried out on services of general economic interest, with the objective of effectively achieving a higher quality of life, greater environmental protection and greater social cohesion for Union citizens at Community and national level; underlines that it will play a decisive role in this field;

51. Calls for assessments not to result in additional reporting requirements and statistics for the Community, Member States, undertakings and/or citizens, but to be conducted horizontally in an integrated manner, in particular, qualitatively-oriented and in close cooperation with the European Economic and Social Committee, the Committee of the Regions, the social partners and civil society, as part of the annual requirement to report on the economic and employment situation in the EU and the implementation of economic and employment policy guidelines, including the respective national action plans; considers that using Eurobarometer for assessing consumer satisfaction is, moreover, entirely superficial in this respect;

52. Calls on the Commission to draw up a Communication on the criteria for consistency between European Union trade policy and the options for services of general interest, supports further negotiations in the areas of liberalisation of trade in services;

53. Takes the view that any changes that may be introduced within the context of the WTO negotiations — the further outcome of which is, however, currently unclear — and, in particular, those affecting the GATS area, must be discussed in good time and in detail with the European Parliament and the competent committee;

*
* *
*

54. Instructs its President to forward this resolution to the Council and the Commission, the European Economic and Social Committee, the Committee of the Regions, the parliaments of the Member States, the social partners and the associations concerned.

P5_TA(2004)0019

Illegal trade in bushmeat

European Parliament resolution on Petition 461/2000 concerning the protection and conservation of Great Apes and other species endangered by the illegal trade in bushmeat (2003/2078(INI))

The European Parliament,

— having regard to Petition 461/2000 of the European Association of Zoos & Aquaria (EAZA) in association with the International Fund for Animal Welfare (IFAW) with 1.9 million signatures,

Wednesday 14 January 2004

- having regard to the communication from the Commission to the Council and the European Parliament — Biodiversity action plan for economic and development co-operation (COM(2001) 162),
 - having regard to the communication from the Commission to the Council and the European Parliament — Forest Law Enforcement, Governance and Trade (FLEGT) Proposal for an EU Action Plan (COM(2003) 251),
 - having regard to the resolution of the ACP-EU Joint Assembly on the hunting and killing of Great Apes and destruction of tropical forests in Central and West Africa, adopted on 22 March 1996 in Windhoek, Namibia ⁽¹⁾,
 - having regard to the resolution of the ACP-EU Joint Parliamentary Assembly on negotiations between the ACP and the EU on trade, rules of origin and sanitary and phytosanitary measures, adopted on 21 March 2002 in Cape Town, South Africa ⁽²⁾,
 - having regard to the resolution of the ACP-EU Joint Parliamentary Assembly on the impact of communicable diseases on health, young people, the elderly and people living with disabilities, adopted on 21 March 2002 in Cape Town, South Africa ⁽³⁾,
 - having regard to the resolution of the ACP-EU Joint Parliamentary Assembly on Sustainable Development and Rio + 10, adopted on 21 March 2002 in Cape Town, South Africa ⁽⁴⁾,
 - having regard to the resolution on 'The Unsustainable Commercial Trade in Wild Meat' of the World Conservation Congress, adopted at its 2nd Session in Amman, Jordan from 4 to 11 October 2000,
 - having regard to Rule 175(1) of its Rules of Procedure,
 - having regard to the report of the Committee on Petitions and the opinion of the Committee on Development and Cooperation (A5-0355/2003),
- A. whereas the term 'Bushmeat' or 'wild meat' describes the food product of wild animals in tropical areas, whether consumed locally or traded commercially; the term 'bushmeat crisis' is used to describe over-hunting of wildlife in tropical areas, particularly in Africa,
- B. whereas the bushmeat crisis is a phenomenon with serious negative effects on the world's biodiversity, on the livelihoods of many people, and on sustainable development,
- C. whereas the bushmeat crisis particularly affects large mammals, including the African Great Apes (Gorilla, Chimpanzee, Bonobo) and might, in the very near future, result in extinction of a range of species locally, regionally or nationally,
- D. whereas the Chimpanzee is already extinct in three countries: Burkina Faso, Togo and Benin,
- E. whereas a wide range of wild animals is used to provide markets with bushmeat and therefore many more species may face extinction,
- F. whereas millions of people depend on wildlife as a key part of their diet and livelihood; whereas over-exploitation will deprive them forever of this source of food and income,

⁽¹⁾ OJ C 254, 2.9.1996, p. 81.

⁽²⁾ OJ C 231, 27.9.2002, p. 44.

⁽³⁾ OJ C 231, 27.9.2002, p. 57.

⁽⁴⁾ OJ C 231, 27.9.2002, p. 59.

Wednesday 14 January 2004

- G. whereas the unregulated use of wild animals can be a danger for public health because animals can be carriers of diseases, some of which are fatally infectious for humans and primates such as Ebola, Simian Immunodeficiency Virus (SIV) or Monkeypox,
- H. whereas there is an expanding international illegal trade in bushmeat, which poses a threat to public health and livestock, including a growing trade into Member States,
- I. whereas underlying causes of the bushmeat crisis are: human population growth, poverty, bad governance, ignorance of the scale and impact of wildlife loss and the commercialisation of consumption and distribution of bushmeat,
- J. whereas direct causes are: habitat destruction, commercial logging, conversion of forests and increased ease of road access, poaching, urban demand, lack of alternative animal protein sources, international trade, the use of modern weapons to increase the poaching kill, mining, and civil wars,
- K. whereas all the Great Ape species as well as other species used as bushmeat, such as the Elephant, are protected under International Conventions such as the Convention on International Trade in Endangered Species of Wild Fauna and Flora (CITES) and the Convention on the Conservation of Migratory Species of Wild Animals (CMS),
- L. whereas the Cotonou Agreement requires that the principles of sustainable management of natural resources shall be applied and integrated at every level of the partnership,
- M. whereas in some countries where bushmeat is traded wildlife legislation is adequate, but such legislation is often not implemented due to a lack of political will, finance, knowledge and capacity,
- N. whereas there is growing public and international alarm at the threatened extinction of the Great Apes and the continuing failure to effectively address the prospect of this extinction,
- O. whereas the disappearance of the Great Apes and other wild species from our planet would number amongst the great disasters to afflict our world with negative economic and social consequences for present and future generations,
1. Urges the Commission to integrate an EU strategy and action plan on bushmeat in the context of implementing the EU biodiversity action plan with a clear unilateral objective aimed at conserving biodiversity and protecting those species threatened by the bushmeat trade with sufficient funding to implement this objective;
 2. Urges the Commission, in the course of developing this strategy and action plan, to encourage full stakeholder participation involving local populations, civil society, government, as well as the private sector, and provide all necessary support, including capacity building, to empower local populations and civil society to participate fully in this process,

Wednesday 14 January 2004

3. Urges the Commission to include cooperation with other bodies and projects related to this issue in order to avoid duplication and to maximise outcomes;
4. Urges the Commission to give special attention in this strategy and action plan to: capacity building of wildlife, forestry and nature conservation authorities; law enforcement and anti-poaching measures, including restrictions on high-powered rifles and the ammunition used in such weapons; planning and management of National Parks and other conservation areas; strategic environmental assessments for proposed policy reforms; environmental impact assessments for all infrastructure, and other relevant projects; and to consider how to minimise the adverse impact of such infrastructure changes, especially road building;
5. Stresses the links between the hunting and consumption of bushmeat and the level of economic development, and points out that the issue of bushmeat hunting, and the threat it poses to endangered species, notably the Great Apes, must be addressed in the context of overall development strategy and poverty alleviation;
6. Takes the view that communities that traditionally relied on bushmeat as their principal source of animal protein must be assisted to develop the means to purchase other foodstuffs, and that commercial networks to supply other meats and fish should be encouraged and assisted;
7. Urges the Commission to support the effective management of protected areas, the development of systems of sustainable use of bushmeat species, and the establishment of alternative livelihoods; these alternatives should focus on improving domestic livestock production, as well as other projects such as ecotourism;
8. Urges the Commission to develop proposals which include environmental education in capacity building programmes for both rural and urban communities;
9. Believes that through educational and information campaigns local communities can be made aware of the economic potential of biodiversity and the need to preserve endangered species including in particular the Great Apes, which can represent a major attraction for ecotourism and thereby bring money and development to these communities;
10. Calls for EU financial support for ecotourism in order to encourage local communities to protect endangered species, particularly the Great Apes;
11. Urges the Commission to develop, together with the timber industry and the developing countries concerned, ways and means to control bushmeat hunting on concessions, e.g. by developing models for management standards, procedures and activities, criteria and indicators, to be financed by the timber companies themselves, as an integral part of their activities, and find ways and means of making these models mandatory;
12. Urges the Commission to give special attention in this Strategy to the timber companies which allow, promote and facilitate the use of bushmeat, and to propose legislation to ban the import of products of companies which act illegally and aggravate the bushmeat problem by allowing their workers to hunt for bushmeat or use their transport facilities to transport poached bushmeat;
13. Urges the Commission to include bushmeat issues, criteria and indicators in the European FLEGT (Forest Law Enforcement, Governance and Trade) process to ensure that timber governance and certifi-

Wednesday 14 January 2004

ation systems support the regulation of bushmeat hunting and trapping in timber concessions; this will include taking account of the CITES Convention and the recommendations made by the NGO Forests and the European Union Resource Network (FERN) in its report of December 2002: 'Controlling imports of illegal timber, Options for Europe';

14. Urges the Commission to incorporate the conservation and sustainable use of wildlife in the development policy of the EU, in the implementation of the Cotonou Agreement and the revised version of Council Regulation (EEC) No 443/92 of 25 February 1992 on financial and technical assistance to, and economic cooperation with, developing countries in Asia and Latin America (ALA regulation)⁽¹⁾ in particular;

15. Urges the Commission to co-operate with countries where bushmeat is found to ensure that all their Country Strategy Papers and National Indicative Programmes pay attention to the bushmeat problem and nature conservation in general and make sure that an appropriate proportion of the available EDF and ALA funding is dedicated to these subjects, and to renegotiate those programmes which lack sufficient attention to these problems with countries where the bushmeat problem is most critical, in particular in Central and West Africa;

16. Urges the Commission to step up the ECOFAC programme (Conservation and Rational Utilisation of Forest Ecosystems in Central Africa) as well as the ABAC programme (Alternatives to Poaching in Central Africa), which are both essential to combating the bushmeat crisis and could focus on addressing forest livelihood issues, but which are both insufficiently funded;

17. Urges the Commission to participate actively in the Congo Basin Forest Partnership (CBFP), to provide the promised funding and furthermore to participate in the African Forest Law Enforcement and Governance (AFLEG) process;

18. Urges the Commission to incorporate the bushmeat issue into the environment manual for development and cooperation projects, 'Integrating environment concerns into development and economic cooperation', and to supplement the draft forest sector strategy and transport and infrastructure sector strategy with a specific strategy to address the bushmeat problem;

19. Urges the Commission, in all of its contacts and interactions with those countries from which bushmeat is illegally traded whether in Asia, Latin America or Africa, and particularly countries of Central and West Africa, to:

- a) seek their recognition of the socio-economic value of the Great Apes and other wild animals, and the ever increasing negative impact of unsustainable commercial trade in these species;
- b) seek their adoption or strengthening of legislation to control unsustainable hunting and commercial trade in wild meat; and the effective implementation of measures governing the proper management and conservation of their wildlife resources;
- c) encourage their review of legislation with regard to logging and mining concessions to ensure that logging and mining companies are held responsible for the conservation of the Great Apes and other protected species on their concessions, and to withdraw these concessions where companies are not managing their concessions according to the law;

⁽¹⁾ OJ L 52, 27.2.1992, p. 1.

Wednesday 14 January 2004

- d) be aware that enforcement of existing legislation is frequently inadequate, often as a result of failed control mechanisms and sometimes due to corruption; stresses that this problem should be tackled in the context of promoting good governance at all levels, anti-corruption measures, and respect for the rule of law;
 - e) encourage the establishment of appropriate information exchange arrangements regarding the exploitation of Great Apes and bushmeat and the use of that information to formulate and implement action programmes where needed;
 - f) promote cooperation with the UNEP Great Apes Survival Project (GrASP), international conventions and institutions and the Commission to develop plans and financial means to protect the Great Apes and other endangered species;
 - g) encourage the use of the possibilities and modalities of the Indicative Programmes of the European Development Fund in the framework of the Cotonou Agreement, to co-finance activities necessary for the preservation of the Great Apes and other protected species, as well those of the Tropical Forest budget line of the budget of the Commission;
 - h) promote continuous monitoring and control of public markets to ensure that there is no illegal trade in protected species, and the monitoring and control of main transport systems to prevent the transportation of poached meat;
20. Urges the Commission to assess measures and resources put in place by Member States to detect and prevent illegal imports of bushmeat into Europe and assess the adequacy of legal deterrents and penalties; with a view to establishing best practice recommendations and coordinating efforts to encourage the tightening-up of external Community frontier controls and end this illegal trade by blocking the importation of bushmeat for food or other uses in the interest of public health, public safety, and the protection of endangered species;
21. Instructs its President to forward this resolution to the Council, the Commission, the governments of the EU Member States and the governments of the Member States of the Cotonou Agreement.

P5_TA(2004)0020

Health issues and poverty reduction

European Parliament resolution on the Commission communication on the update of the EC Programme for Action: accelerated action on HIV/AIDS, malaria and tuberculosis in the context of poverty reduction; outstanding policy issues and future challenges (COM(2003) 93 — 2003/2146(INI))

The European Parliament,

- having regard to the Commission communication (COM(2003) 93),
- having regard to the Commission communication on accelerated action targeted at major communicable diseases within the context of poverty reduction (COM(2000) 585) and the Commission communication on a Programme for Action: Accelerated action on HIV/AIDS, malaria and tuberculosis in the context of poverty reduction (COM(2001) 96),
- having regard to the General Affairs Council of 14 and 15 May 2001 on the Programme for Action,

Wednesday 14 January 2004

- having regard to its resolution of 4 October 2001 on reducing poverty (fight against main transmissible diseases) ⁽¹⁾ covering the latter two Commission communications,
- having regard to the ACP-EU Joint Parliamentary Assembly resolution of 1 November 2001 on HIV/AIDS ⁽²⁾,
- having regard to the EU's participation in the Global Fund to Fight AIDS, Tuberculosis and Malaria (GFATM), as referred to in European Parliament and Council Decision No 36/2002/EC of 19 December 2001 ⁽³⁾,
- having regard to the ACP-EU Joint Parliamentary Assembly resolution of 21 March 2002 on the impact of communicable diseases on health, young people, the elderly and people living with disabilities ⁽⁴⁾ that calls on the Council and the Commission to ensure that the impact of HIV/AIDS on older people and their role as carers and educators is acknowledged and supported through the provision of health information, training and access to medicines,
- having regard to the Council Regulation (EC) No 953/2003, of 26 May 2003, to avoid trade diversion into the European Union of certain key medicines ⁽⁵⁾,
- having regard to the Commission communication on Health and Poverty Reduction in Developing Countries (COM(2002) 129),
- having regard to the subsequent Council resolution of 30 May 2002,
- having regard to its resolution of 4 September 2003 on the Commission communication on Health and Poverty Reduction in Developing Countries ⁽⁶⁾,
- having regard to its resolution of 4 September 2003 on untying aid ⁽⁷⁾,
- having regard to the UN Millennium Development Goals,
- having regard to paragraphs 65, 67 and 68 of the Declaration of Commitment of the UN General Assembly Special Session on HIV/AIDS of 2001, referring to orphans, vulnerable children and older people,
- having regard to the Convention on the Rights of the child and to Articles 45, 46 and 47 of 'A World Fit For Children', the outcome document of the 2002 United Nations Special Session on Children, specifically the aims for strategies on children affected by HIV/AIDS,
- having regard to the Doha 2001 Declaration on relations between the TRIPS Agreement and Public Health,
- having regard to the establishment of the new European and Developing countries Clinical Trials Partnership initiative,

⁽¹⁾ OJ C 87 E, 11.4.2002, p. 244.

⁽²⁾ OJ C 78, 2.4.2002, p. 12.

⁽³⁾ OJ L 7, 11.1.2002, p. 1.

⁽⁴⁾ OJ C 231, 27.9.2002, p. 57.

⁽⁵⁾ OJ L 135, 3.6.2003, p. 5.

⁽⁶⁾ P5_TA(2003)0379.

⁽⁷⁾ P5_TA(2003)0387.

Wednesday 14 January 2004

- having regard to its resolution of 12 February 2003 on the authorisation of generic medicines at WTO level ⁽¹⁾,
 - having regard to the ACP-EU Joint Parliamentary Assembly resolution of 3 April 2003 on WTO negotiations on health issues ⁽²⁾,
 - having regard to the Communication from the EU to the TRIPS Council of 4 and 5 June 2003,
 - having regard to the decisions of the G8 Evian summit on Enhancing Sustainable Development,
 - having regard to the International meeting to support the Global Fund to fight AIDS, Tuberculosis and Malaria held in Paris on 16 July 2003,
 - having regard to Rules 47(2) and 163 of its Rules of Procedure,
 - having regard to the report of the Committee on Development and Cooperation and the opinions of the Committee on Industry, External Trade, Research and Energy and Committee on Women's Rights and Equal Opportunities (A5-0474/2003),
- A. whereas millions of people in developing countries continue to die each year from infectious diseases, most of which can be prevented and cured by medicine,
- B. whereas these three communicable diseases continue to represent the major burden of diseases affecting the poorest people, especially women and children, in developing countries, causing the deaths of almost 20 000 people a day and the infection of many more, leaving behind 13 million orphans to date; whereas this figure is expected to rise to 25 million by 2010,
- C. whereas the health services in most developing countries are to a great extent unable to cope with the needs of their populations and the structural adjustment programmes of the 1990s have contributed to the worsening situation, giving rise to drastic budget cutbacks in social sectors,
- D. whereas the three diseases demand a national and global response and are an increasing threat to the social and economic development of people living in developing countries,
- E. whereas the spread of HIV/AIDS in particular results to some extent in a drastic fall in life expectancy and a haemorrhaging of manpower, which reduces agricultural and industrial production and restricts educational capacity,
- F. whereas malaria frequently results in death, especially in children; whereas HIV/AIDS primarily affects adults of working age and whereas tuberculosis is often a consequence of HIV/AIDS infections,
- G. whereas tuberculosis (TB) is one of the leading causes of death among women of reproductive age and is believed to rank above death in childbirth; whereas women are less likely than men to be tested and treated for TB,
- H. whereas poverty, inadequate health services, nutritional deficiencies and unsuitable living conditions are instrumental in the propagation of TB; whereas, in turn, sickness and death from TB spreads greater poverty in many communities,
- I. whereas over 41 % of the world's population is at risk of contracting malaria and this percentage is growing every year owing to deteriorating health systems, increased resistance to medicines and insecticides, climate change and war,

⁽¹⁾ P5_TA(2003)0052.

⁽²⁾ OJ C 231, 26.9.2003, p. 31.

Wednesday 14 January 2004

- J. whereas all the data demonstrate that the number of women infected with HIV/AIDS is very high, and is rising; whereas infection has an impact not only on the women themselves, but also on their pregnancies and children, whence the crucial need for appropriate sexual and reproductive health information and services to be made available so as to enable people in this category to protect themselves against unwanted pregnancies and sexually transmitted diseases, including HIV/AIDS,
- K. whereas the number of rapes of both girls and women in HIV/AIDS-affected countries is extremely high, leading to infection of the victims; whereas programmes must be set up to offer aid to victims and punish perpetrators,
- L. whereas the sexual and economic subordination of women is a driving force behind the spread of the HIV/AIDS pandemic; whereas the social vulnerability of women must be reduced by improving their health, education and legal and economic status; whereas in order for prevention to be effective, the programmes must take account of the needs of women infected with HIV/AIDS and prevention must become a structural part of national life in every community and in every family; whereas this must extend to women being exploited as prostitutes,
- M. whereas information, prevention and treatment in relation to malaria, tuberculosis and HIV/AIDS call for different approaches for which appropriate strategies should be developed,
- N. whereas recent developments at UN and international levels pointed out new ways to access treatment and care for people living with, and affected by HIV/AIDS, mainly through the access to antiretroviral medicines, an essential element in the response the epidemic,
- O. whereas there is a chronic shortage of investment in research and development in poverty-related diseases and in R&D in the developing countries themselves to obtain the medicines which meet the needs of those countries,
- P. whereas, despite international action in the field, existing efforts are not enough and the international community needs to search for innovative and effective solutions to reduce the growing mortality rates and numbers of people infected; whereas these solutions should not only be funding-related,
- Q. whereas research and development for poverty diseases, although recently increased, is still insufficient and requires global efforts and support from all actors, governments, industry, NGOs and civil society,
- R. whereas at the WTO Ministerial conference in Doha, increased affordability of pharmaceutical products and the interpretation of intellectual property rights were intensely discussed, and a declaration on relations between the TRIPS Agreement and Public Health was adopted,
- S. whereas an agreement was adopted by the members of the WTO on 30 August 2003 providing a solution to the problem faced by those countries that do not have sufficient manufacturing capacity in the pharmaceutical sector,
- T. whereas to prevent trade diversion into the EU market of pharmaceuticals sold at tiered prices in developing countries, the Council adopted an innovative legal instrument to encourage the pharmaceutical industry to sign up to tiered pricing,

Wednesday 14 January 2004

- U. whereas incentives for investment in R&D on poverty diseases must guarantee the best use of public money, and must be based on real costs, whether offered to the public or private sectors,
- V. whereas the prevention and treatment of communicable diseases must be regarded as indispensable for the world community, and thus considered a 'global public good',
1. Welcomes the Commission Communication evaluating the Action Programme first two years of implementation;
 2. Stresses its concern about the increasing figures of people affected and the high mortality resulting from HIV/AIDS, malaria and tuberculosis;
 3. Considers that the lack of access to health is the result of both a problem of access to care (owing to a shortage of facilities and health workers and also to a lack of public healthcare systems) and access to treatment;
 4. Draws the Commission's attention to the fact that it should highlight the important role played by women as the main health promoters, as well as the need for gender mainstreaming in health policies;
 5. Recognises the fact that a lack of data precludes early assessments of the progress towards the attainment of Millennium Development Goal 6 (to halve the number of new cases of HIV/AIDS infection by 2015) and emphasises the need for investments in monitoring and evaluation, including monitoring of national budget allocations and health outcomes as part of the Poverty Reduction Strategy Paper process;
 6. Urges the Commission to facilitate the compilation of data on the impact these three diseases have on women and girls, with specific reference to the number of children orphaned and of years of life and schooling lost, the degree to which women's working lives are affected, access to health services and access to treatment (comparison between men and women, and percentage of sufferers), in addition to epidemiological data;
 7. Welcomes the WTO agreement obtained in Geneva on access to medicines; notes, however, that concern was voiced about the rules designed to prevent abuse which might, in practice, encumber the operation of the agreement; calls on the Member States to give a clear commitment to prompt authorisation for requested licences;
 8. Calls on the EU and the Member States to take every possible measure to ensure swift and practical implementation of this agreement; calls on them, in particular, to amend European laws on patents and all other relevant legislation to enable medicines to be manufactured in Europe under compulsory licence for export to developing countries; stresses that such a revision must fully respect the Doha declaration on access to medicines;
 9. Emphasises the need for special cooperation with the WHO in the fight against poverty diseases; specifically requests that the Commission and Member States encourage a broader discussion on the effects of the TRIPS agreement on the availability of affordable generic medicines and actively support the ongoing work at the WHO on analysing intellectual property rights, innovation and public health;
 10. Supports the Commission's collaboration with Roll Back Malaria and the ACP countries on the implementation of Artemisinin combination treatments for malaria; calls on the Commission to ensure that the EU's support for changing national protocols and the introduction of treatment combination is formally announced and publicised internationally;

Wednesday 14 January 2004

11. Notes the dramatic improvements that can take place when immunisation programmes focus on comprehensive local implementation, and calls for support for initiatives such as Stop TB, Roll Back Malaria, the International AIDS Vaccine Initiative, the International Partnership for Microbicides and the national multi-year immunisation plans funded and supported by the Global Alliance for Vaccines and Immunisation and the Vaccine Fund;
12. Calls on the EU to support efforts to develop new diagnostic tools to detect active tuberculosis cases more quickly, easily and accurately and use new medicines for treatment; Fixed dose combinations should urgently be developed for use in the meantime;
13. Stresses that access to drinking water and a balanced diet are essential conditions for good public health; stresses the need to take a global approach to health and to improve living conditions, which will in turn help to increase life expectancy and combat poverty;
14. Believes that access to basic health and sanitation services must be a governmental priority — and as such reflected in the Country Strategy Papers — with increased annual funding on the part of both the EU and international community and developing countries' own governments;
15. Calls on the developing countries to restore basic public health services and systems and considers that European aid should above all support the developing countries' internal efforts to strengthen their human, institutional and infrastructural resources;
16. Agrees with the Commission Communication to the Council, the European Parliament, the European Economic and Social Committee and the Committee of the Regions, (COM (2003) 383), entitled 'A Stronger European-based Pharmaceutical Industry for the Benefit of the Patient — A Call for Action', that the competitiveness of European industry is declining, but regrets that poverty-linked diseases are not tackled; calls on the European institutions and other stakeholders to see investments in such diseases as one way of remedying the lack of innovation in the European pharmaceutical industry;
17. Welcomes Council Regulation (EC) No 953/2003 with regard to the prevention of trade diversion into the EU market of pharmaceuticals sold at tiered prices in developing countries; regrets the limitations (prices and countries) of the Regulation and is looking forward to the evaluation of the results obtained, which should serve as a basis for further improvements;
18. Stresses that a system for tiered pricing is only one of the strategies needed for obtaining affordable medical products in a sustainable way and calls upon the Commission, Member States and developing countries to explore further possibilities — among them global/regional procurements — that would increase affordability of medical products for countries in need; points out that the human, social and economic impact of poverty diseases cannot be addressed without a whole range of complementary policies and strategies;
19. Calls on the Commission, in the context of its dialogue and price negotiations with the developing countries, to help to reduce the customs duties and levies in those countries which make medicines more expensive, and to promote measures aimed at preventing the price of generic medicines from rising and removing barriers to their production over the medium and long term;
20. Calls upon the Commission and Member States to respect, promote and support the implementation of the Doha Declaration on TRIPS and Public Health; believes that this declaration should form the basis of all bilateral or regional trade agreements concerning intellectual property and public health;

Wednesday 14 January 2004

21. Calls on the Commission and the Member States to apply in full the WTO's decision of 30 August 2003 on the implementation of paragraph 6 of the Doha Declaration on the TRIPS agreement and public health designed to deal with the problem of countries which do not have sufficient manufacturing capacity in the pharmaceutical sector; stresses the need to amend Directive 2001/83/EC of the European Parliament and of the Council of 6 November 2001 on the Community code relating to medicinal products for human use⁽¹⁾ in order to authorise the production of pharmaceuticals intended for export to a country which does not have sufficient manufacturing capacities for generic pharmaceuticals and where a patent is not in force; stresses that implementation of this WTO decision must fully respect the spirit of the Doha Declaration on the TRIPS agreement and public health;

22. Considers that the complex arrangements under the agreement on TRIPS and public health adopted prior to the WTO Ministerial Conference in Cancun may in fact obstruct access to medicines;

23. Calls on the Commission to provide support for technology transfer and the establishment of local pharmaceutical and other production capacities, particularly in relation to clinical trial programmes in developing countries;

24. Urges the Commission, the Council and the Member States to ensure that national governments and the EU increase levels of support for the Global Fund to fight AIDS, Malaria and Tuberculosis so that the total contribution of the EU and Member States can meet the target set by President Prodi of delivering EUR 1 billion to the Fund;

25. Calls on the Commission, as a member of the Board of the GFATM, to ensure that the policies agreed in the programme for action, such as ownership of developing countries, transparency in decision making and promotion of generic medicines are implemented by the GFATM and that the needs of orphans and vulnerable children are being adequately supported;

26. Also recalls that debt repayment and servicing accounts each year for almost 40 % of the least developed countries' GDPs, while the budget for education and health remains derisory; considers that the serious problems of indebtedness call for a global solution based on international and national action;

27. Recognises that the involvement of civil society is critical to the global AIDS response and that civil society organisations have acquired significant technical and organisational capacity and requests the Commission to support an enhanced role for NGOs and CBOs in the implementation of the Commission's programme for action;

28. Therefore welcomes the proposal for the creation of a Stakeholders' Forum on Communicable Diseases in the Context of Poverty Reduction, with the participation of representatives from developing countries and civil society;

29. Calls on the EU to recognise and respond to the fact that some groups are more vulnerable to infection with HIV/AIDS, TB and Malaria; asks the Commission to acknowledge the special consequences the diseases have on children and women;

30. Calls on the European Union on improving the mental health services of developing countries as mental health disorders are increasingly diagnosed in people with HIV/AIDS and the rates are accelerating in tandem;

⁽¹⁾ OJ L 311, 28.11.2001, p.67.

Wednesday 14 January 2004

31. Calls on the EU to develop policies and programmes and to ensure increased resources are made available within its 2006—2011 Financial Perspectives to support a significant, scaled-up response to the three diseases; points to the need to specifically address the needs of orphans and vulnerable children affected by HIV/AIDS who are most at risk of infection, suffering from stigma and discrimination, psychosocial trauma, child labour, sexual exploitation, and trafficking, as well as being denied access to health, education and legal rights; also points out the need to address the specific needs and contributions of older people as carers and educators of orphans and vulnerable children;

32. Believes that palliative care, such as community non-hospice care, can provide a relatively low-cost means of relief for those with life-limiting diseases such as HIV/AIDS, TB and Malaria, and should be a part of health strategies;

33. Welcomes the establishment of the European and Developing Countries Clinical Trials Partnership (EDCTP) initiative as an important contribution to international research efforts and calls on the Commission to increase its budgeted funds for R&D for neglected and poverty diseases;

34. Recalls that one of the objectives of the EDCTP Programme is to encourage the participation of the private sector; calls on the Commission to identify, in cooperation with developing countries, industry, NGOs and other stakeholders, the knowledge gaps in R&D in drugs against AIDS, malaria and tuberculosis and provide incentives for industry and public research institutes to undertake commitments to deal with specific problems on the list;

35. Calls on the Commission to ensure the necessary coordination between the Directorates-General for Research and Development that will ensure that the latter will finance the development/adjustment of any infrastructure in developing countries that is indispensable for carrying out research activities financed by the Community, as long as the necessary funding is not available locally and exceeds the remit of research projects;

36. Stresses the urgent need to involve the European pharmaceutical industry in the fight against poverty-linked diseases; believes that this could be helped by a new legislative proposal for a framework regulation for R&D in such diseases, which will provide concrete incentives for investment, including simple measures such as protocol assistance, waiving of fees and direct or indirect subsidies, but also advanced incentives such as partial transfer of patent rights to drugs not addressing poverty-linked diseases;

37. Welcomes, therefore, the Commission's intention to create specific legislative instruments to provide incentives for R&D for neglected and poverty diseases; calls on the Commission to ensure that the resultant research meets the specific needs of the developing countries and contributes towards a swift improvement in their public health situation;

38. Urges the European Union to take a leading role in developing effective policy measures and partnerships on R&D of Global Public Goods with a particular focus on therapeutic and preventive technology, such as microbicides and vaccines, that meet the health needs of developing countries;

39. Calls on the Commission to promote an agreement at international level on the R&D needs of the developing countries designed to stimulate investment in medicines which meet the priorities of the developing countries, i.e. to guarantee the effective, appropriate and affordable nature of those medicines;

Wednesday 14 January 2004

40. Supports the reprogramming, in partnership with the ACP countries, of unspent EDF funds for use in meeting the health needs of the populations in ACP states;
41. Calls for the nomination of an EU Ambassador to lead the EU's work in this area, promote further policy coherence across member states and enhance the EU's offensive on Health, AIDS and Population policies in the run-up to ICPD +10;
42. Instructs its President to forward this resolution to the Council, the Commission, the governments of the Member States, the WTO, WHO, UNAIDS, the ACP/EU Joint Parliamentary Assembly, the African Union, NEPAD, the European Federation of Pharmaceutical Industries and Associations and relevant NGOs.
-

P5_TA(2004)0021**NEPAD****European Parliament resolution on the New Partnership for Africa's Development (NEPAD)
(2003/2106(INI))***The European Parliament,*

- having regard to the NEPAD initiative adopted in October 2001 in Abuja (Nigeria) and subsequently recognised by the African Union as forming part of its socio-economic development programme,
- having regard to the Constitutive Act of the African Union, adopted on 11 July 2000 in Lomé (Togo),
- having regard to the ACP-EU Partnership Agreement signed in Cotonou on 23 June 2000, and in particular to Article 11 thereof concerning peace-building policies and conflict resolution,
- having regard to the Barcelona process,
- having regard to the statements of the Conference of Heads of State and Government and the decisions and declarations of the second ordinary session of the Conference of the African Union in Maputo (Mozambique), 10—12 July 2003,
- having regard to the work of the Parliamentary Forum for NEPAD held at Cotonou (Benin) on 8 and 9 October 2002 and the conclusions of the meeting of African parliaments held in Cape Town (South Africa) on 30 June and 1 July 2003,
- having regard to the Court of Auditors' special report 8/2003 concerning the execution of infrastructure work financed by the EDF⁽¹⁾,
- having regard to the action plan adopted by the G8 group of industrialised countries in Kananaskis on 27 June 2002 and the conclusions of the G8 Presidency adopted in Evian on 3 June 2003,

⁽¹⁾ OJ C 181, 31.7.2003, p. 1.

Wednesday 14 January 2004

- having regard to the Commission communication to the Council on EU-Africa dialogue (COM(2003) 316),
 - having regard to the resolution of the ACP-EU Joint Parliamentary Assembly on the New Partnership for Africa's Development (NEPAD) adopted in Brazzaville (Congo) on 3 April 2003 ⁽¹⁾,
 - having regard to Rule 163 of its Rules of Procedure,
 - having regard to the report of the Committee on Development and Cooperation (A5-0329/2003),
- A. whereas the establishment of the African Union as an institutional and political framework at continental level is of overriding importance to the gradual integration of the States which go to make it up, and given the importance of the NEPAD programme launched by the African Union as a political initiative that has forcibly and appropriately drawn the international community's attention to the issue of under-development in Africa,
- B. whereas the African Union is a pan-African organisation, composed of a Commission, a Council of Ministers and a Parliament, and whereas NEPAD is not intended to replace it,
- C. having regard to the various previous initiatives taken by Africa with a view to taking up the continent's development challenges, in particular the Lagos Plan of Action (1980), the African Alternative Framework to Structural Adjustment (1989) and the Abuja Treaty (1991),
- D. whereas the states of Africa wish to construct African unity not only on a geographical basis but also on shared values, such as respect for human rights and democratic principles,
- E. recommending that cultural diversity, which is the best means of fostering mutual understanding and preventing (armed) conflict, be maintained and encouraged as part of this process,
- F. whereas, despite the recognition given to the central role of the peoples of Africa in achieving the aims of NEPAD, national parliaments, civil society and socio-professional organisations were not consulted about the formulation and definition of this initiative,
- G. whereas EU support for pan-African initiatives must be placed within a coherent framework,
- H. having regard to the experience of the European Union, which may be a source of inspiration for the African Union, while taking due account of the very different realities on these two continents,
- I. having regard to the innovative nature of NEPAD, which stresses the importance not only of traditional aid but also of other non-financial factors in achieving development, such as a favourable legal framework for the development of businesses, good governance and public-private partnerships,
- J. whereas, in order to achieve the aims set by NEPAD, funding will need to be made available,
- K. whereas in order to attain the objectives of NEPAD it is necessary for Africa's leaders jointly to assume a certain number of responsibilities, pursuant to the NEPAD action programme adopted in Abuja in October 2001, especially the following:

⁽¹⁾ OJ C 231, 26.9.2003, p. 22.

Wednesday 14 January 2004

- consolidation, at regional and pan-African levels, of the mechanisms for preventing, managing and resolving conflicts and encouragement of the use of those mechanisms for the purposes of restoring and maintaining peace under the authority of the African Union;
 - encouragement and observance of democracy and human rights in their own countries and regions, establishing clear rules on responsibility, transparency, sound management and participatory democracy at both local and national levels,
- L. whereas women should be effectively included at all levels in discussion forums and decision-making bodies; noting with satisfaction the very positive signal sent out by the effective implementation of parity between men and women in the composition of the African Union Commission;
- M. whereas the African Peer Review Mechanism (APRM) is an important instrument for attaining the above objectives, and whereas the fundamental values relating to human rights and good governance have been incorporated in the Constitutive Act of the African Union and the Conference on Security, Stability, Development and Cooperation in Africa,
- N. having regard to the importance of regional and local authorities as an essential step towards the success of sustainable development and good governance,
- O. believing that peace and stability are preconditions for development in all circumstances, and deploring the persistence of existing conflicts and the emergence of new conflicts in several countries and regions of Africa,
- P. whereas it is above all economic, political and social conditions which form the basis of lasting peace and security and, at the same time, reduce the risk of conflicts developing and escalating,
- Q. having regard to the decision, the first of its kind, to send a military force, the African Mission for Burundi (MIAB), to that country under the auspices of the African Union, and aware of the considerable commitment of human and financial resources by South Africa to that force, as well as the commitment proposed by Mozambique and Ethiopia,
- R. whereas the MIAB is a valuable test case for future operations of the same type,
- S. whereas the ACP-EU Partnership Agreement, and in particular Article 11 thereof, provides a basis for the EU to give its support to African initiatives in the field of crisis management and peace-building, under the political authority of the African Union, and whereas steps should be taken to extend the framework of this support to the continent as a whole,
- T. having regard to the request made by the Summit of the African Union, meeting in Maputo (Mozambique), calling on the EU to set up a Peace Support Operation Facility to fund peace support and peacekeeping operations conducted under the authority of the AU,
- U. whereas the EU has earmarked EUR 50 million from the European Development Fund to support the peace process in Liberia,

Wednesday 14 January 2004

- V. having regard to the increasing poverty of the African countries and the persistent scale of problems in the fields of education and health (notably the devastating effect of the HIV/AIDS epidemic on the African production force and on the social fabric of the countries affected),
- W. having regard to the recent adoption by the African Union of the Convention on combating corruption and the commitments made in the context of NEPAD to combat this enormous problem, which is widespread in a number of African countries, constituting a major obstacle to development,
- X. having regard to the debt burden of the African countries and the need to go beyond existing measures such as the reinforced HIPC (heavily indebted poorest countries) initiative, until it is effectively eliminated,
- Y. noting that the 'Plan of Action for Africa' announced by the G8 in 2002 has not yet been given a clear commitment timetable and that it is mainly centred on the aim of opening up markets,
- Z. whereas direct foreign investments in sub-Saharan Africa are concentrated on three countries only (Angola, Nigeria and South Africa),
- AA. whereas poor countries, mainly extremely indebted African countries, continue to reimburse a large proportion of their GDP and whereas the African countries' debt burden is stifling development,
- AB. having regard to the need for the African continent to undertake successful regional integration with a view to developing the economies of scale called for by globalisation and helping to increase these countries' capacity to produce and export manufactured and diversified products,
- AC. having regard to the need to involve private investors more closely in development in Africa and to the excessively low level of cooperation between the public and private sectors,
1. Warmly welcomes the establishment of the African Union and expresses great interest in its NEPAD programme, launched by five African Heads of State and based in particular on:
- the principle of taking control of development,
 - peace and security through conflict prevention and resolution,
 - the paramountcy of human rights, democracy and good governance,
 - the need to accelerate regional integration;
2. Considers that these priorities should constitute the major innovative features of development aid for Africa;
3. Notes the criticisms made by many actors of African civil society and encourages the member states of the African Union, and in particular the founder countries of NEPAD, to allow the active and democratic participation of all sectors of civil society, including NGOs, trade unions and employers' organisations, and churches at pan-African level and in each country; considers that the establishment of the AU Economic and Social Council will constitute a major element in this active and democratic participation;
4. Recalls that NEPAD is a socio-economic programme of the African Union for Africa's development, and not an independent institution;

Wednesday 14 January 2004

5. Encourages African States to conduct a public debate on the impact of NEPAD on social rights, food security, access to raw materials and environmental protection;
6. Welcomes the commitment made in Maputo by the European Union, represented by Commission President Romano Prodi, to strengthening its cooperation with Africa;
7. Notes that the Action Plan for Africa announced by the G8 in 2002 has still not been reflected by precise commitments; calls on the G8 and the EU swiftly to help to make the necessary resources available so as to help achieve the aims set by NEPAD;
8. Calls on the Council, the Commission and the High Representative for the CFSP to develop a structured global political dialogue, on a union-to-union basis, between the European Union and the African Union;
9. Encourages African States, African regional organisations and the Commission to ensure that NEPAD's priorities are reflected in Community aid programmes and, consequently, to seek greater consistency between the NEPAD objectives and regional programmes (in the context of agreements with ACP countries, MEDA countries and South Africa);
10. Stresses the need to adjust existing mechanisms for cooperation between the EU and African countries — in the context of the forthcoming revision of cooperation agreements with MEDA countries, ACP countries and South Africa — in order to take due account of the pan-African dimension;
11. Congratulates the Commission on its support for the institutional development of the African Union and support for peace initiatives;
12. Commends the African Union on having made provision within its institutional framework for a Pan-African Parliament; urges the parliaments of the African States to ratify the Protocol relating to the Pan-African Parliament at the earliest opportunity; undertakes to lend its sister institution, the Pan-African Parliament, all the assistance required for it to be established and, subsequently, to operate effectively;
13. Considers that African countries should devote resources to establishing a strategy of sustainable, equitable and viable development paving the way to genuine enjoyment of the right to food, health, education, housing and other necessities for African peoples;
14. Attaches the highest importance to the implementation, on the basis of democratic parliamentary control, of the APRM, since this will help to realise NEPAD's basic principles and objectives, both political and economic, by instituting a framework for carrying out monitoring and promoting the most suitable policies and standards, such as responsible governance, democracy, and respect for human rights and the rule of law, alongside best practice; urges the parliaments of the African countries to ensure that this mechanism operates in a democratic fashion;
15. Considers that the role of the democratic state in the process of development based on social equity, respect for human rights and political pluralism, a fair redistribution of resources and democratic scrutiny of decision-making should be rehabilitated;
16. Urges all the countries of Africa to join the APRM and to ensure that its workings are based on the principles of independence and technical competence;

Wednesday 14 January 2004

17. Calls in this connection for acknowledgement of successful participation in APRM also to take the form of increased EU financial development-policy cooperation with the countries concerned;
18. Calls, furthermore, on the countries concerned to respond to the findings of the evaluation mechanisms, which are to be put in place as soon as possible;
19. Believes that the credibility of NEPAD will depend on the decisions — some of them involving difficult cases — taken by the AU regarding countries that fail to respect the APRM criteria in the medium term;
20. Welcomes the African Union's efforts to strengthen its institutions in order to guarantee respect for human rights, democracy and good governance;
21. Congratulates the African Union on the gradual development of a principle of 'non-indifference' and its willingness to intervene in individual member states in the event of war crimes, genocide and crimes against humanity;
22. Calls on the AU member states, and in particular the SADC members, to take an initiative in support of the political and constitutional transition process in Zimbabwe, under which elections should be held within the next 24 months;
23. Reiterates its firm belief that the role of providing the impetus for and exercising parliamentary control over NEPAD naturally falls to the Pan-African Parliament, and that duplication of effort and expenditure and institutional proliferation and overlapping should be avoided; encourages the African parliaments to concentrate their efforts on ratifying, as soon as possible, the protocol on the Pan-African Parliament;
24. Encourages the African countries to take due account of input from regional and local authorities, town-twinning schemes, and cooperation between regional and local authorities in implementing the objectives of the African Union and NEPAD, and invites the African regional and local authorities to call in this context on the know-how and expertise of local and regional authorities in the Northern hemisphere;
25. Encourages the initiators of NEPAD to open up to all sectors of civil society, including NGOs, trade unions and employers' organisations and Churches;
26. Notes the commitment of the G8 and the founder countries of NEPAD to giving priority to the fight against terrorism, but also stresses that this must be carried on in accordance with the rule of law, human and civil rights, and essential policies;
27. Considers it essential to support Africa's capacity to settle its own disputes and establish peace under the political authority of the African Union;
28. Considers that the African Union's confliction prevention policy should also combat structural causes, such as economic disparities, social injustice, absence of democratic participation in decision-making, environmental degradation, human rights violations, and access to and control of natural resources;
29. Expresses its support for the AU's Peace and Security Council, as a political authority and coordination body for the efforts achieved by the external partners and encourages the AU member states to ratify the protocol relating to this Council;

Wednesday 14 January 2004

30. Congratulates the AU on its commitment to achieving peace in Burundi through the MIAB;
 31. Calls on the Commission and the EU Member States to support, with all the appropriate instruments, policies for the building of peace and the prevention and resolution of conflicts, under the auspices of the AU;
 32. Welcomes the earmarking by the EU of the sum of EUR 50 million, via the EDF, in support of the peace process in Liberia;
 33. Calls for the Code of Conduct on Arms Exports to be made binding on the EU Member States,
 34. Believes that a legally binding UN framework, providing for sanctions for companies which contribute to conflicts, should be drawn up;
 35. Congratulates the Commission on the efforts it has made to reduce the debt burden in the context of the reinforced HIPC initiative, and calls on it and the Member States to take further measures in this direction;
 36. Welcomes the measures announced at the G8 Summit in Evian for financing a World Fund to combat AIDS, tuberculosis and malaria;
 37. Calls on the African countries to encourage and facilitate participation by the private sector, in the spirit of the Dakar meeting of April 2002, particularly by means of public-private partnerships and joint ventures between European and African firms;
 38. Considers that cooperation between African and European public sectors could make a positive contribution to satisfying the fundamental needs of African populations, especially in the services sector;
 39. Supports the project for an International Funding Facility to attract private finance to developing countries;
 40. Stresses that the appeal to the private sector should not lead donors, including the EU Member States, to shirk their responsibilities; recalls its requests for a reform of and an increase in public development aid;
 41. Stresses the need for proper coordination between the various development projects, and warns against the temptation to give priority to large-scale projects at the expense of more modest operations at local level;
 42. Calls on all the African countries to ratify speedily the AU Convention against corruption and apply it with due rigour, and to participate in developing regional initiatives against money laundering in liaison with the Financial Action Task Force on Money Laundering (FATF);
 43. Instructs its President to forward this resolution to the Council and Commission, the African Union and the NEPAD secretariat, the ACP Council and the ACP-EU Joint Parliamentary Assembly.
-

Wednesday 14 January 2004

P5_TA(2004)0022

Cultural diversity

European Parliament resolution on preserving and promoting cultural diversity: the role of the European regions and international organisations such as UNESCO and the Council of Europe (2002/2269(INI))

The European Parliament,

- having regard to the communication from the Commission to the Council and the European Parliament 'Towards an international instrument on cultural diversity' (COM(2003) 520),
- having regard to its legislative resolution of 3 February 2000 on the joint text approved by the Conciliation Committee for a European Parliament and Council decision establishing the Culture 2000 Programme⁽¹⁾,
- having regard to its resolution of 6 September 2000 on the Communication from the Commission to the Council, the European Parliament, the Economic and Social Committee and the Committee of the Regions 'Principles and guidelines for the Community's audiovisual policy in the digital age'⁽²⁾,
- having regard to its resolution of 1 February 2001 on new frontiers in book production: electronic publishing and printing on demand⁽³⁾,
- having regard to its resolution of 15 May 2001 on the Commission communications on the initiative and the action plan for 2001—2004 entitled — Designing tomorrow's education e-Learning⁽⁴⁾,
- having regard to its resolution of 5 September 2001 on cultural cooperation in the European Union⁽⁵⁾ and in particular to paragraph 10 concerning the demand to submit a draft decision for setting up a 'European cultural observatory', with the aim of promoting the exchange of information and coordination between the cultural policies of the Member States and Community cultural policy,
- having regard to its resolution of 13 November 2001 on achieving better circulation of European films in the internal market and the candidate countries⁽⁶⁾,
- having regard to its resolution of 28 February 2002 on the implementation of the 'Culture 2000' programme⁽⁷⁾ and the forthcoming Culture programme after 2006,
- having regard to its resolution of 12 March 2003 on the General Agreement on Trade in Services (GATS), within the WTO, including cultural diversity⁽⁸⁾, and in particular its paragraphs 12 to 14,
- having regard to its resolution of 4 September 2003 on Television without Frontiers⁽⁹⁾,
- having regard to its resolution of 4 September 2003 on European regional and lesser-used languages in the context of enlargement and cultural diversity⁽¹⁰⁾,
- having regard to its resolution of 4 September 2003 on cultural industries⁽¹¹⁾,

⁽¹⁾ OJ C 309, 27.10.2000, p. 61.

⁽²⁾ OJ C 135, 7.5.2001, p. 181.

⁽³⁾ OJ C 267, 21.9.2001, p. 83.

⁽⁴⁾ OJ C 34 E, 7.2.2002, p. 153.

⁽⁵⁾ OJ C 72 E, 21.3.2002, p. 142.

⁽⁶⁾ OJ C 140 E, 13.6.2002, p. 143.

⁽⁷⁾ OJ C 293 E, 28.11.2002, p. 105.

⁽⁸⁾ P5_TA(2003)0087.

⁽⁹⁾ P5_TA(2003)0381.

⁽¹⁰⁾ P5_TA(2003)0372.

⁽¹¹⁾ P5_TA(2003)0372.

Wednesday 14 January 2004

- having regard to Article 149(1) of the EC Treaty and Article 151 of the EC Treaty, in particular paragraph 3 advocating stronger cooperation with third countries and the Council of Europe and paragraph 4 introducing an obligation to take cultural aspects into account in other Community policies,
- having regard to the Preamble and Article 22 of the Charter of Fundamental Rights of the European Union,
- having regard to Article 3(3), fourth subparagraph, of the Draft Treaty establishing a Constitution for Europe, affirming that the Union shall respect its rich cultural and linguistic diversity, and shall ensure that Europe's cultural heritage is safeguarded and enhanced; to Article II-22, affirming that the Union shall respect cultural, religious and linguistic diversity; to Article III-181(1), reaffirming that the Union shall contribute to the flowering of the cultures of the Member States, while respecting their national and regional diversity and at the same time bringing the common cultural heritage to the fore, and paragraph 4, reaffirming that the Union shall take cultural aspects into account in its action under other provisions of the Constitution, in particular in order to respect and to promote the diversity of its cultures; to Article III-182(1), reaffirming that it shall fully respect the cultural and linguistic diversity of the educational systems of the Member States; to Article III-217(4), affirming the unanimity rule in the Council when negotiating and concluding agreements in the field of trade in cultural and audiovisual services, where these risk prejudicing the Union's cultural and linguistic diversity,
- having regard also to the introduction of qualified majority voting under the provisions of the Draft Constitution to ensure support for internal policies in the cultural sector,
- having regard to the Conclusions of the General Affairs Council on 26 October 1999 in connection with the new WTO negotiating round,
- having regard to the Cannes declaration of 15 May 2003, in which EU Culture Ministers, in the presence of the chairman of its competent Committee and the Commissioner responsible for Culture, insisted on maintaining the unanimity rule for decisions relating to cultural and audiovisual services in trade agreements,
- having regard to the conclusions of the informal meeting of the Ministers of Culture in Thessaloniki on 25 May 2003 on cultural diversity and the international instrument on cultural diversity,
- having regard to the Florence agreement of 1950 as an international instrument which promotes the free circulation of objects of an educational, scientific or cultural nature ⁽¹⁾,
- having regard to the Declaration on cultural diversity by the Committee of Ministers of the Council of Europe of 7 December 2000,
- having regard to the UNESCO Universal Declaration and Action plan on Cultural Diversity adopted by the General Conference at its 31st session on 2 November 2001 ⁽²⁾ and the Union's support thereof,
- having regard to the discussions and outcome of the high-level round table on cultural diversity and biodiversity for sustainable development (Summit on Sustainable Development, Johannesburg, 3 September 2002),

⁽¹⁾ sponsored by UNESCO, originally signed in 1950 and updated by the 1976 Nairobi Protocol, www.unesco.org/culture/laws/florence/html_eng/page1.shtml

⁽²⁾ 31 C/Resolution 25 and Annexes I and II.

Wednesday 14 January 2004

- having regard to the Brixen/Bressanone declaration on cultural diversity and GATS adopted by the European Regional Ministers for Education and Culture at the Assembly for the European Regions on 18 October 2002,
 - having regard to the decision of UNESCO's General Conference on 17 October 2003 to launch work towards the drawing-up of a draft Convention on cultural diversity for the next session of the General Conference in 2005 ⁽¹⁾,
 - having regard to the decision taken at the African Union Summit in Addis Ababa on 10 July 2003, reaffirming the importance of cultural diversity and supporting the UNESCO process,
 - having regard to the statement by the Ministerial Conference of the Francophonie, held in Rabat on 4–5 September 2003, on the World Summit of the Information Society in Geneva,
 - having regard to the statement of the Culture Ministers from the ACP countries meeting in Dakar on 20 June 2003, notably undertaking to engage in debates and supporting the launch of negotiations for the adoption of a Convention on Cultural Diversity in the framework of UNESCO,
 - having regard to the adoption by the Commission of the Action Plan on Language Learning and Linguistic Diversity (COM(2003) 449) on 24 July 2003,
 - having regard to useful efforts deployed in the field of cultural diversity by organisations and civil society, such as the International Network for Cultural Diversity, the International Network on Cultural Policy, the International Organisation of the Francophonie, and the International Liaison Committee of Coalitions for Cultural Diversity,
 - having regard to Rule 163 of its Rules of Procedure,
 - having regard to the report of the Committee on Culture, Youth, Education, the Media and Sport and the opinion of the Committee on Foreign Affairs, Human rights, Common Security and Defence Policy (A5-0477/2003),
- A. whereas the preservation and promotion of cultural diversity are among the founding principles of the European model (COM(2003)520),
- B. whereas the accession countries will bring further cultural and linguistic diversity to enrich the Union,
- C. whereas cultural diversity cannot be preserved unless every individual has access to, and can participate in, his or her own culture,
- D. whereas cultural diversity is a concept of cultural development and a leading principle of sustainable development, involving cultural exchange and dialogue,
- E. whereas in some Member States cultural identities are not uniform and do not necessarily match the borders of those States,
- F. whereas cultural dialogue fosters mutual understanding between peoples in the interests of peace and is an appropriate method for effectively counteracting racism and xenophobia,
- G. whereas excessive concentration of the media poses a threat to cultural pluralism,

⁽¹⁾ <http://unesdoc.unesco.org/images/0013/001321/13214le.pdf> (see debate 5)

Wednesday 14 January 2004

- H. whereas the European Union is attached to multilateral solutions as a fundamental element of external policy,
- I. whereas the Universal Forum of Cultures will take place in Barcelona in 2004, which will represent a great opportunity for intercultural dialogue,
- J. whereas obligations stemming from agreements reached within multilateral organisations complement those resulting from agreements reached within a WTO framework,
- K. welcoming the approval given by UNESCO's General Conference for a mandate enabling work to commence on the drawing-up of a Convention on Cultural Diversity,
- L. whereas every Member State, and the EC, must continue in future to have the legal right to take all measures in the fields of culture and the audiovisual media necessary to uphold and promote cultural diversity,
- M. whereas the opening of negotiations on the liberalisation of audiovisual and cultural services in accordance with the GATS rules would set in motion an ongoing liberalisation as a result of which the regional, national and European instruments for the promotion of the domestic audio-visual sector would be reviewed and consequently dismantled,
1. Considers culture, in a globalised techno-economic modernisation process and in a situation of ongoing world-wide liberalisation, to be a fundamental dimension of human development;
 2. Considers that cultural diversity implies the recognition, promotion and development of local cultures, cultural industries, public policies on culture, openness towards other cultures and the protection of indigenous and national institutions and achievements, including the rich variety of languages, indigenous knowledge, traditions, lifestyles, artistic and cultural forms of expression, media pluralism and the diversity of educational systems;
 3. Points out that the principle of cultural diversity is still not recognised as a fundamental right under international law;
 4. Considers that the technologies of information and communication potentially present through their inherent flexibility an opportunity to foster cultural diversity and advocates non-discriminatory access to these technologies for all countries; points out, however, that the widening digital gap is exacerbating the disparities between the countries of the North and those of the South;
 5. Considers that the right of Member States, regions and infrastate entities, where appropriate, to define, implement and adapt cultural policies is one of the fundamental guarantees for the respect and promotion of cultural diversity;
 6. Calls upon the Intergovernmental Conference to consolidate the various references to cultural diversity and pluralism in the Draft Constitution by adopting the draft provisions as proposed by the Convention, in particular the unanimity rule in the Council laid down in Article III-217(4), when negotiating and concluding agreements in the field of external trade in cultural and audiovisual services;
 7. Calls upon the Commission to actively engage in facilitating, promoting and geographically extending exchanges in the field of culture, audio-visual services and education within Europe and with third countries in order to broaden the base for an international consensus on these matters, in particular in the framework for the Culture 2000, Youth and Socrates programmes after 2006 and in respect of all future programmes;

Wednesday 14 January 2004

8. Calls upon the Commission to actively engage in the promotion of cultural diversity within EC development and cooperation policies through the valorisation and significant enhancement of cultural co-operation actions and programmes with third countries, in particular to develop the cultural expression capacity of developing countries;
9. Calls upon the Commission to foster cultural dialogue with national, federal and regional Ministers of culture and education, associating civil society and civil servants;
10. Requests the Commission to submit a Communication, based on Article 151(4) of the EC Treaty, on how to incorporate culture as a cross-cutting principle applicable to all policies in the European Union, thereby assessing possible consequences for culture of decisions in other policy areas;
11. Calls on the Commission to ensure that the growing trend towards concentration in the media does not lead to an oligopoly that threatens pluralism, cultural diversity and freedom of choice for consumers; renews its call for a directive on media pluralism and concentration;
12. Calls upon the Commission to fully integrate the concept of European cultural diversity in its communication strategy, to provide information about the World Day for Cultural Diversity, 21 May, and to present proposals as to how to participate in this event;
13. Calls upon the Commission to improve mobility opportunities of artists, creative works and cultural products and services;
14. Considers that the aforementioned Convention on cultural diversity should fully acknowledge the necessity of preserving language diversity as a basic fact of development cooperation and international relations in general, and with that in mind calls for specific strategies for the preservation and protection of diversity and strategies for the promotion of multilingualism to be developed by means of active and concrete support for education in the mother tongue and for the acquisition of foreign languages, training and consciousness-raising without discrimination;
15. Reaffirms its vigilance concerning the treatment of minority populations and minority languages, including indigenous languages, in the context of the enlarged Europe; reiterates the need for multilateral institutions, including regional ones, to protect and guarantee the rights and freedoms of all peoples, particularly in the context of a multi-polar world made up of regional units;
16. Stresses that cultural services and products and education are not merchandise or consumer goods like any other, and must therefore be made subject to special conditions in the light of their dual nature as economic and cultural goods; these conditions must take account of the fact that the market cannot be the measure of all things, and must guarantee in particular diversity of opinion and pluralism;
17. Reaffirms the importance of public services in preserving cultural diversity; in particular, stresses that public service broadcasting plays an important role in safeguarding cultural diversity and identity, democratic dialogue, media pluralism and access for all citizens to quality content and knowledge for their successful participation in the information society;
18. Calls on the European Union to place an unmistakable stress, in the context of the WTO and GATS, on the nature of cultural services and products as cultural goods, and to exempt them from trade liberalisation;

Wednesday 14 January 2004

19. Calls upon the Union to actively promote at international level the recognition of the special nature and status of culture and to engage in multilateral talks within the forthcoming negotiations on a Convention on cultural diversity in UNESCO with a view to broadening the forum of countries supporting this action;
20. Calls upon the Union to evaluate trade in cultural services and products as a common value in the light of the demands of sustainable development and cultural identity;
21. Calls upon the European Union, its Member States and third countries to refrain from actions at international level, such as committing themselves to liberalisation under bilateral trade or investment agreements, which could compromise fundamental objectives in areas such as education and culture or undermine the ability of governments to support cultural and national identities;
22. Calls upon the Council to fully implement and maintain on the 1999 mandate⁽¹⁾ given to the Commission regarding cultural and audiovisual goods and services;
23. Stresses, in view of the twofold significance of cultural, audiovisual and education services in economic and cultural terms, that no negotiations should be opened in the context of GATS on liberalisation of these services, and further stresses that protection of support instruments, and thus of cultural diversity, cannot be achieved in the context of the WTO and GATS, but can only be promoted by negotiating a Convention within the framework of UNESCO; urges the Union to apply the unanimity principle strictly in foreign trade in cultural and audiovisual services with third countries, as is already laid down in the Treaty and in the draft Constitution;
24. Reiterates its political determination that the GATS rules on cultural services, and on the audiovisual sector in particular, should not compromise the cultural diversity and autonomy of the WTO contracting parties;
25. Asks the Commission for a list of offers made in the recreational, educational and audiovisual sector and possible consequences in these sectors;
26. Requests the Commission to regularly and fully inform the European Parliament of its activities in international organisations;
27. Considers that it is essential to recognise cultural diversity within the field of international law by negotiating and adopting a Convention on cultural diversity in the near future within UNESCO;
28. Considers the Convention on cultural diversity, as agreed by UNESCO's General Conference, as a means of bringing cultural policies to the fore and to ensure on a global scale the protection and promotion of diversity of cultural content and artistic forms of expression, which appear to be particularly threatened by globalisation;
29. Welcomes the Commission's position in favour of jointly addressing relevant issues regarding a Convention on cultural diversity as a significant development of affirmative action by the Member States and their regions, and in addition by the Community as laid down in Article 151(3) of the EC Treaty;

⁽¹⁾ Conclusion of the General Affairs' Council of 26.10.1999: 'The Union will take care to guarantee during the next WTO negotiations, as in the Uruguay round the possibility for the Community and its Member States to preserve and develop their cultural and audiovisual policies for the preservation of their cultural diversity'.

Wednesday 14 January 2004

30. Agrees with the Commission that a legally binding standard on cultural diversity is necessary in order to consolidate cultural rights, foster the development of public cultural policies in each State, commit Parties to international cooperation, create a forum for debate on cultural policies and establish global monitoring of the state of cultural diversity world-wide, as proposed in its aforementioned resolution of 5 September 2001;
31. Specifies that the Convention's main aims ought to lie in recognising the special nature of cultural products and services, enshrining in international law the legitimate right of any State or group of States to determine their cultural policies freely, a right taking the form, in particular, of legislative, regulatory or financial measures, and strengthening international cooperation policies and solidarity in the sphere of culture;
32. Calls for the Convention to provide for the adoption of measures guaranteeing creative artists and independent cultural industries proper access to the means of production, distribution and dissemination of their works;
33. Calls for the Convention to establish procedures relating to technical and financial assistance in developing and least developed countries so as to strengthen their capacity to preserve and promote their cultural creative work;
34. Considers this Convention as a proactive means of building consensus on the need to preserve and promote cultural diversity worldwide and of assuring and monitoring international commitments in the cultural sphere; considers that, in order to ensure its efficiency, a dispute-settlement mechanism should be an integral part of this Convention;
35. Calls on the UNESCO General Conference to insist that the Member States do not undertake commitments in other international fora or bilateral agreements which would run counter to the protection and promotion of cultural diversity;
36. Considers that specific provisions in this Convention should allow for least favoured countries to be able to develop their cultural industries and policies; in that context, calls upon the Commission to reinforce international solidarity and to encourage and facilitate the development of partnership between the public and the private sector;
37. Calls upon the Commission to pay particular attention to the preservation and promotion of cultural and linguistic diversity in the accession countries;
38. Calls on the General Conference to ensure that the Convention relates to all forms of cultural expression: the creation, production, distribution, exhibition and performance of cultural contents including the audiovisual media in the form of cultural products, i.e. goods and services;
39. Calls on the General Conference to guarantee transparency of cultural policies, the right to freedom of information, freedom of opinion, intellectual property, the protection of fundamental rights and cultural human rights, and the democratic principle;
40. Calls on the General Conference of UNESCO to devise procedures, policies and programmes to permit access to culture and the development of cultural policy, in order to permit countries, particularly developing countries, to produce and distribute their own cultural goods and services;
41. Calls for the Convention to lay down a requirement for the Parties to recognise mutual obligations;

Wednesday 14 January 2004

42. Sees the need for the Convention to make provision for a monitoring committee that can issue recommendations and opinions on the implementation of the provisions of the Convention by the Parties and a dispute-settlement procedure;

43. Requests, therefore, the European Union to be united in its conduct at the forthcoming UNESCO negotiations, and to this end the Presidency and the Commission to work closely in order to seek common positions of the EU; requests, furthermore, the Member States to give the Commission, in accordance with the provisions of the EC Treaty and with the participation of the European Parliament and the relevant groups in civil society, a clearly worded mandate to authorise the Commission in cooperation with the European Parliament to negotiate in the UNESCO framework on the issue related to a Convention on cultural diversity and conduct these negotiations in accordance with the terms of the EC Treaty on behalf of the EU and its Member States;

44. Calls on the Commission to submit a new Communication to the Council and the European Parliament setting out its position on the Convention on cultural diversity and on its purpose, objectives and operating methods and suggesting how it can tie in with other international instruments;

45. Urges the Member States, in taking stock of, registering and restoring cultural assets, to pay particular attention to monuments, buildings and everyday implements which are of great importance to the cultural heritage of minority peoples;

46. Instructs its President to forward this resolution to the Council, the Commission, the governments of the Member States, the Committee of the Regions, the Economic and Social Committee, the Council of Europe and UNESCO.

P5_TA(2004)0023

Annual Report on equal opportunities (2002)

European Parliament resolution on Equal Opportunities for Women and Men in the European Union (2003/2011(INI))

The European Parliament,

- having regard to the report from the Commission to the Council, the European Parliament, the European Economic and Social Committee and the Committee of the Regions entitled: 'Annual Report on Equal Opportunities for Women and Men in the European Union 2002' (COM(2003) 98),
- having regard to the Communication from the Commission to the European Parliament and the Council entitled: 'Framework Strategy for Gender Equality — Work Programme for 2003' (COM(2003) 47),
- having regard to the Community Framework Strategy on Gender Equality (2001—2005) (COM(2000) 335), to the Commission's Work Programmes for 2001 and 2002 (COM(2001) 119 and COM(2001) 773) and to the Commission's annual reports for 2000 and 2001 (COM(2001) 179 and COM(2002) 258),
- having regard to Articles 2, 3(2) and 141 of the EC Treaty and to Article 23 of the Charter of Fundamental Rights of the European Union⁽¹⁾,

⁽¹⁾ OJ C 364, 18.12.2000, p. 1.

Wednesday 14 January 2004

- having regard to Rule 163 of its Rules of Procedure,
- having regard to the report of the Committee on Women's Rights and Equal Opportunities and the opinion of the Committee on Employment and Social Affairs (A5-0481/2003),
- A. whereas the Commission is seeking gradually to attain the objectives laid down in the Framework Strategy for the period 2001—2005 and will involve all its departments in that endeavour,
- B. whereas the objectives laid down are not defined in measurable terms, and whereas it is, therefore, difficult to ascertain whether the Commission is actually making any real progress as a result of its activities,
- C. whereas the Commission's annual report for 2002 provides a clear description of the situation and outlines the most significant legal developments in the Member States and in the accession countries, but whereas the report fails to indicate any breach of Community legislation by the current Member States and to provide a proper analysis and assessment of the current situation,
- D. whereas the Structural Funds, and the European Social Fund in particular, must play a complementary role in relation to, and provide the stimulus for, action by the Member States, at both national and local level, to implement measures to promote women's participation in the labour market,
- E. whereas, in the context of the implementation of the European Employment Strategy and with a view to generating full and high-quality employment, the entrepreneurial spirit among women must be supported by specific measures, including targeted training and measures to facilitate access to credit,

Annual Report on Equal Opportunities for 2002

1. Welcomes the efforts made by the Commission to promote equal opportunities for women and men in many policy areas of the Union; regrets, however, that the Economic and Financial Affairs, Competition, Energy and Transport, Taxation and Customs Union, Health and Consumer Protection, Trade, and Enlargement DGs, ECHO (Humanitarian Aid Office), the Budget DG, the Internal Audit Service, the Joint Interpreting and Conference Service, the Translation Service, the Publications Office, the Legal Service and the Press and Communication DG seem to be rather unwilling to incorporate gender mainstreaming into their policies or to undertake new specific policy actions; calls, therefore, on the ten Commissioners with special responsibility in these fields to devote greater attention to the equal opportunities policy in their departments and policy areas and to submit a report to Parliament before 31 December 2004 on the measures which they have taken;
2. Notes with regret — once again — that very little reference is made in this annual report to Commission actions to ensure that current equal opportunities legislation is applied in and by the current Member States and that the Commission's general reports on the application of Community law must be consulted by anyone wishing to acquire information about that matter;
 - takes the view that the annual report on equal opportunities as a policy report cannot provide the total overview that it should unless it includes reports on those actions;
 - calls on the Commission, therefore, to devote a separate chapter of the annual report to equal treatment legislation and to include therein an overview of the transposition of current equal opportunities legislation into national law in the Member States and in the accession countries, of any arrears and shortcomings and of the measures taken by the Commission to remedy the situation;
3. Welcomes the fact that the Action Programme for gender equality was opened up to the accession countries in 2002; calls on the Commission, when granting aid for projects in those countries, to devote specific attention to participation by women themselves, with regard to both the implementation of the projects and the women who are supported by the projects;

Wednesday 14 January 2004

4. Calls on the Commission, before the end of its term of office, to provide Parliament with information on the period from 1999 to 2002 inclusive which shows:
- what percentage of its general aid to the accession countries benefits projects and programmes which target the achievement of gender equality,
 - what actual projects and programmes are involved, and
 - how many women in the accession countries benefit therefrom or participate in those projects and programmes;
5. Regrets the fact that the European Union's equal opportunities policy does not appear to be very consistent with the UN policy on equal opportunities for men and women as laid down, for example, in the Platform for Action⁽¹⁾ and that it is not clear from its annual report what activities the Council undertook in this field in 2002; calls, therefore, as a matter of urgency, for:
- publication of the reports debated by the Council on indicators and benchmarks in various sub-areas,
 - a report from the Council to the European Parliament on the application of the indicators and benchmarks established, so that an assessment may be made of the extent to which the Member States have made progress in the various sub-areas;
6. Calls on the Member States and the accession countries to give higher priority to the problem of good and affordable childcare facilities so that the objectives established at the Barcelona European Council of providing childcare facilities for 90 % of children aged between 3 and the mandatory school age and for 33 % of children under three years of age may be attained by 2010;
7. Calls on the Commission to submit to Parliament an overview of the results achieved by the projects undertaken under the 2001 (Equal pay) and 2002 (Reconciliation of work and family life) priority actions, funded to the tune of EUR 8 million and EUR 7.5 million respectively, and to indicate the extent to which the objectives established — especially a reduction in the pay disparity between men and women in the Union, improvement of access to good and affordable childcare facilities, equal share of care and household responsibilities, encouragement for paternal leave and flexible arrangements — have been attained by these projects;
8. Calls on the Commission to publish an expanded report on the number of women who have submitted projects or expressions of interest in connection with the Commission's funding and subsidy schemes for 2001 and 2002 and asks the Commission to indicate exactly how many women have benefited from those schemes;
9. Calls on the Commission to pursue a policy which will put an end to the disappointing level of women's involvement in and access to the new information and communication technologies, paying particular attention to women at risk of being excluded from the benefits of the information society, such as elderly women, unemployed women and women on low incomes, immigrant women, women who are members of ethnic minorities, women farmers and disabled women, in order to prevent the creation of a two-speed society;
10. Notes the particularly weak position, in terms of employment rights and social protection, often faced by spouses in rural areas and calls on the Commission and the Member States to pay particular attention to ensuring equal treatment and opportunities in this regard, including the integration into the agricultural industry of the principle of equal pay for work of equal value;
11. Urges the rapid and genuine implementation of the Brussels Declaration on trafficking in human beings and calls on the Commission to submit to the European Parliament a report on the progress made in that area, using indicators and mechanisms with which progress may be monitored on an ongoing basis;

(1) <http://www.un.org/womenwatch/daw/beijing/platform/>

Wednesday 14 January 2004

calls, further, on the Commission to carry out a study into the situation of the victims of trafficking who are unable to return to their country of origin because they encounter problems with their families and/or the traffickers; calls on the Commission, further, to give consideration to the manner in which victims of trafficking in human beings who are actually threatened when they return to their country of origin or who have no chance whatsoever of reintegrating themselves in social, welfare or economic terms into their society may still be entitled, on humanitarian grounds, to receive an official document authorising them to reside in the European Union;

Work programme for 2003

12. Regrets the fact that, with regard to the priority actions, the Work Programme for 2003 does no more than reiterate the objectives set out in the Work Programme for 2002; is delighted, on the other hand, that the Commission Staff Working Document does give a very accurate picture of the policy actions to be undertaken in the various Commission departments; encourages the Commission to continue to draw up such broadly-based internal programmes and also to have an analysis and assessment carried out of the results achieved;

13. Hopes that the Commission is aware that this Work Programme and the underlying Commission document have a marked in-house bias and are virtually unknown outside the Commission; takes the view that the Commission should play a more active role in promoting the dissemination of these documents and in keeping its website up to date, so that Ministries and authorities in the Member States may follow this good example;

14. Calls on the Commission to explain why, despite the intention laid down in Decision 2000/407/EC of 19 June 2000⁽¹⁾, it appointed fewer women to serve on committees and expert groups in 2002 than it did in 2001, with the result that the disparity between the number of men and women in committees and expert groups became larger, and calls on the Commission, further, to submit a report on the reasons which led to the other institutions doing better in this respect and appointing more women in 2002;

15. Recalls the Commission's feasibility study relating to the European Gender Institute and calls on the Commission to inform the European Parliament of its views on that subject and of the steps that it is planning to take;

16. Emphasises that, in the final phase before accession in May 2004, the Commission must urge the accession countries to pursue an awareness campaign on gender equality so that they may inform their citizens about their rights and, in so doing, ensure that there is sufficient judicial capacity to deal with disputes in this area and to guarantee that institutional and administrative capacities in this field will be strengthened;

17. Emphasises once again how important it is for the Commission to monitor Member State compliance with existing equal treatment legislation and calls on the Commission, therefore, to expand the network of legal experts in the field of gender equality as soon as possible by the inclusion of experts from the accession countries;

18. Emphasises the need for positive action to implement the Framework Strategy on gender equality and, with particular reference to the priorities laid down for 2003/2004 — the inclusion of women in the decision-making process — highlights the need to encourage the presence of women wherever decisions are taken concerning the economy in both the public and private sectors; reiterates the need for the action plan included in the Framework Strategy on equality to concentrate on promoting gender mainstreaming in the economic sectors by means of specific actions and instruments, including gender budgeting;

19. Welcomes the Commission's July 2003 Options Paper on the simplification and improvement of legislation in the area of equal treatment between men and women⁽²⁾ and:

⁽¹⁾ OJ L 154, 27.6.2000, p. 34.

⁽²⁾ http://europa.eu.int/comm/employment_social/news/2003/jul/options_en.pdf

Wednesday 14 January 2004

- calls on the Commission to come to a conclusion as soon as possible, partly on the basis of the responses it receives, on the strategy to be pursued and to set that strategy down in one or more legislative proposals,
- calls on the Commission, at all events, to take into account the need for those proposals to be in line with Directive 2000/43/EC ⁽¹⁾ implementing the principle of equal treatment between persons irrespective of racial or ethnic origin, Directive 2000/78/EC ⁽²⁾ establishing a general framework for equal treatment in employment and occupation, and Directive 2002/73/EC ⁽³⁾, as well as a proposal for a directive, yet to be submitted, on equal treatment for men and women outside work;

20. Welcomes the Commission proposal for a Council Directive implementing the principle of equal treatment for men and women in the access to and supply of goods and services (COM(2003) 657); takes the view, nevertheless, that, in future, legislation on equal treatment for men and women must be brought into line with legislation to combat racial discrimination and that it must therefore also cover welfare protection, including health care, welfare benefits and education;

21. Is delighted by Commissioner Diamantopoulou's announcement of the publication, in spring 2004, of a Green Paper on the development of a comprehensive anti-discrimination policy; believes that the European Union must pursue an anti-discrimination policy which provides an equal measure of protection against discrimination on various grounds;

22. Is delighted that the Commission has announced its intention to draw up an interim assessment of the Action Programme (2001—2005) in late 2003 and calls for that assessment to be submitted to the European Parliament;

*
* *
*

23. Instructs its President to forward this resolution to the Commission and the Council and to the governments of the Member States and of the candidate countries.

⁽¹⁾ OJ L 180, 19.7.2000, p. 22.

⁽²⁾ OJ L 303, 2.12.2000, p. 16.

⁽³⁾ OJ L 269, 5.10.2002, p. 15.

Thursday 15 January 2004

(2004/C 92 E/04)

MINUTES

PROCEEDINGS OF THE SITTING

IN THE CHAIR: Renzo IMBENI

Vice-President

1. Opening of sitting

The sitting opened at 10.00.

The following spoke: James L.C. Provan, who considered that Rule 130a should have been applied to the vote on the report by Philippe A.R. Herzog (A5-0484/2003) and asked for the matter to be referred to the Bureau (the President replied that the President of Parliament had already considered the question) and Malcolm Harbour who endorsed the remarks made by James L.C. Provan.

2. Documents received

The following documents had been received:

1) *from the Council and Commission:*

- Proposal for a Directive of the European Parliament and of the Council on energy end-use efficiency and energy services (COM(2003) 739 — C5-0642/2003 — 2003/0300(COD))
referred to responsible: ITRE
opinion: ECON, JURI, ENVI
legal basis: Article 175(1) EC
- Proposal for a Directive of the European Parliament and of the Council concerning measures to safeguard security of electricity supply and infrastructure investment (COM(2003) 740 — C5-0643/2003 — 2003/0301(COD))
referred to responsible: ITRE
opinion: ECON, JURI, ENVI
legal basis: Article 95 EC
- Proposal for a Regulation of the European Parliament and of the Council on conditions for access to the gas transmission networks (COM(2003) 741 — C5-0644/2003 — 2003/0302(COD))
referred to responsible: ITRE
opinion: ECON, JURI, ENVI
legal basis: Article 95 EC
- Proposal for a Decision of the European Parliament and of the Council amending Decisions Nos 1720/1999/EC, 253/2000/EC, 508/2000/EC, 1031/2000/EC, 1445/2000/EC, 163/2001/EC, 1411/2001/EC, 50/2002/EC, 466/2002/EC, 1145/2002/EC, 1513/2002/EC, 1786/2002/EC, 291/2003/EC and [...] /2003/EC in view of adapting the reference amounts to take account of the enlargement of the European Union (COM(2003) 777 — C5-0650/2003 — 2003/0303(COD))
referred to responsible: BUDG
opinion: ITRE, EMPL, ENVI, AGRI, CULT
legal basis: Article 129 EC, Article 137(2) EC, Article 149 EC, Article 150 EC

Thursday 15 January 2004

- Proposal for a Decision of the European Parliament and of the Council amending Council Decision No 96/411/EC and Decisions Nos 276/1999/EC, 1719/1999/EC, 2850/2000/EC, 507/2001/EC, 2235/2002/EC, 2367/2002/EC, 253/2003/EC, 1230/2003/EC and [...]/2003/EC in view of adapting the reference amounts to take account of the enlargement of the European Union (COM(2003) 777 — C5-0651/2003 — 2003/0304(COD))
 - referred to responsible: BUDG
 - opinion: LIBE, ECON, JURI, ITRE, ENVI
 - legal basis: Article 95 EC, Article 153 (2) EC, Article 156(1) EC, Article 157(3) EC

- Proposal for a Regulation of the European Parliament and of the Council amending Regulations (EC) No 2236/95, (EC) No 1655/2000, (EC) No 1382/2003 and (EC) No [...]/2003 in view of adapting the reference amounts to take account of the enlargement of the European Union (COM(2003) 777 — C5-0652/2003 — 2003/0305(COD))
 - referred to responsible: BUDG
 - opinion: ENVI, RETT
 - legal basis: Article 71(1) EC, Article 80(2) EC, Article 156(1) EC

- Opinion of the Council on proposal for transfer of appropriations 48/2003 between Chapters in Section III — Commission — Part B — of the General Budget for the European Union for the financial year 2003 (C5-0004/2004 — C5-0004/2004 — 2003/2236(GBD))
 - referred to responsible: BUDG
 - legal basis: Article 274 EC

- Opinion of the Council on proposal for transfer of appropriations 49/2003 between Chapters in Section III — Commission — Part B — of the General Budget for the European Union for the financial year 2003 (C5-0005/2004 — C5-0005/2004 — 2003/2251(GBD))
 - referred to responsible: BUDG
 - legal basis: Article 274 EC

- Opinion of the Council on proposal for transfer of appropriations 50/2003 between Chapters in Section III — Commission — Part A — of the General Budget for the European Union for the financial year 2003 (C5-0006/2004 — C5-0006/2004 — 2003/2253(GBD))
 - referred to responsible: BUDG
 - legal basis: Article 274 EC

- Proposal for a Council Regulation laying down general rules for the application of measures to improve the production and marketing of honey (Codified version) (COM(2003) 737 — C5-0007/2004 — 2003/0288(CNS))
 - referred to responsible: JURI
 - opinion: AGRI
 - legal basis: Article 36 EC, Article 37 EC

- Proposal for a Council Regulation on the conclusion of the Protocol defining for the period 1 January 2004 to 31 December 2008 the fishing opportunities and the financial contribution provided for in the Agreement between the European Economic Community and the Government of the Republic of Guinea on fishing off the Guinean coast (COM(2003) 765 — C5-0024/2004 — 2003/0290(CNS))
 - referred to responsible: PECH
 - opinion: BUDG, DEVE
 - legal basis: Article 37 EC, Article 300 (2) and (3), first subparagraph EC

- Proposal for a Council regulation establishing a Community programme on the conservation, characterisation, collection and utilisation of genetic resources in agriculture (COM(2003) 817 — C5-0025/2004 — 2003/0321(CNS))
 - referred to responsible: AGRI
 - opinion: ENVI
 - legal basis: Article 37 EC

Thursday 15 January 2004

- Proposal for a Council Directive amending Directive 77/388/EEC as regards the place of supply of services (COM(2003) 822 — C5-0026/2004 — 2003/0329(CNS))
referred to responsible: ECON
opinion: JURI
legal basis: Article 93 EC
- Proposal for a Directive of the European Parliament and the Council concerning measures to safeguard security of natural gas supply (15769/2003 — C5-0027/2004 — 2002/0220(COD))
referred to responsible: ITRE
opinion: ECON, JURI, ENVI
legal basis: Article 95 EC
- Proposal for a Council decision concerning the conclusion of the World Health Organisation Framework Convention on Tobacco Control (COM(2003) 807 — C5-0028/2004 — 2003/0316(CNS))
referred to responsible: ENVI
opinion: BUDG, JURI, ITRE
legal basis: Article 95 EC, Article 133 EC, Article 152 EC, Article 300(2) EC
- Proposal for a Council decision concerning the conclusion of the Memorandum of Understanding between the European Community and the National Tourism Administration of the People's Republic of China on visa and related issues concerning tourist groups from the People's Republic of China (ADS) (COM(2003) 790 — C5-0029/2004 — 2003/0299(CNS))
referred to responsible: LIBE
legal basis: Article 62(2) EC, Article 63(3) EC, Article 300(2), first subparagraph EC
- Proposal for a Council Decision amending Decision No 2002/668/Euratom to adapt the financial reference amount in order to take account of the enlargement of the European Union (COM(2003) 778 — C5-0031/2004 — 2003/0298(CNS))
referred to responsible: BUDG
opinion: ITRE
legal basis: Article 7 EURATOM

2) from Members**2.1) motions for resolution (Rule 48)**

- María Izquierdo Rojo on preventing sexual harassment in the armed forces and the rape of Private Quiñoa and other abuses committed against her by a superior (B5-0041/2004)
referred to responsible: LIBE
opinion: FEMM
- Cristiana Muscardini on the Parmalat case and coordination of supervision at European level (B5-0042/2004).
referred to responsible: ECON
opinion: JURI

3. Recognition of professional qualifications *I (debate)**

Report on the proposal for a European Parliament and Council directive on the recognition of professional qualifications [COM(2002) 119 — C5-0113/2002 — 2002/0061(COD)] — Committee on Legal Affairs and the Internal Market.

Rapporteur: Stefano Zappalà
(A5-0470/2003)

Thursday 15 January 2004

The President reminded the House that it had been decided on Tuesday (*see Minutes of 13 January 2004, Item 8*), that the debate on the report would take place that day but that the vote would be held over until the next part-session.

Frits Bolkestein (Member of the Commission) spoke.

Stefano Zappalà introduced the report.

The following spoke: Anne-Karin Glase (draftsman of the opinion of the EMPL Committee), John Bowis (draftsman of the opinion of the ENVI Committee), Luciana Sbarbati (draftsman of the opinion of the PETI Committee), Malcolm Harbour, on behalf of the PPE-DE Group, Evelyne Gebhardt, on behalf of the PSE Group, Toine Manders, on behalf of the ELDR Group, Konstantinos Alyssandrakis, on behalf of the GUE/NGL Group, Neil MacCormick, on behalf of the Verts/ALE Group, Konstantinos Hatzidakis, Ioannis Koukiadis, Astrid Thors, Marcelino Oreja Arburúa, Arlene McCarthy, Avril Doyle, Klaus-Heiner Lehne, Giuseppe Gargani, Othmar Karas and Frits Bolkestein.

IN THE CHAIR: Catherine LALUMIÈRE

Vice-President

The debate closed.

Vote: 29 January 2004

4. Mutual assistance in direct and indirect taxation *I — Hedge funds and derivatives (debate)**

Report on the proposal for a European Parliament and Council directive amending Directive 77/799/EEC concerning mutual assistance by the competent authorities of the Member States in the field of direct and indirect taxation [COM(2003) 446 — C5-0370/2003 — 2003/0170(COD)] — Committee on Economic and Monetary Affairs.

Rapporteur: Pii-Noora Kauppi
(A5-0466/2003)

Report on the future of hedge funds and derivatives [2003/2082(INI)] — Committee on Economic and Monetary Affairs.

Rapporteur: John Purvis
(A5-0476/2003)

Frits Bolkestein (Member of the Commission) spoke.

Othmar Karas (deputising for the rapporteur) introduced the report A5-0466/2003.

John Purvis introduced the report (A5-0476/2003).

The following spoke: Avril Doyle, on behalf of the PPE-DE Group, Robert Goebbels, on behalf of the PSE Group, Esko Olavi Seppänen, on behalf of the GUE/NGL Group, Rijk van Dam, on behalf of the EDD Group, Wolfgang Ilgenfritz, Non-attached Member, Manuel António dos Santos and Frits Bolkestein.

The debate closed.

Vote: *Items 5.3 and 5.8*

(The sitting was suspended at 11.55 pending voting time and resumed at 12.00.)

IN THE CHAIR: Gérard ONESTA

Vice-President

5. Voting time

Details of voting (amendments, separate and split votes, etc.) appear in Annex 1 to the Minutes.

Thursday 15 January 2004

5.1. Dock dues in the French overseas departments * (Rule 110a) (vote)

Proposal for a Council decision on the system of dock dues in the French overseas departments and extending Decision 89/688/EEC [COM(2003) 792 — C5-0656/2003 — 2003/0308(CNS)] — Committee on Regional Policy, Transport and Tourism.

(Simple majority)

(Voting record: Annex 1, Item 1)

PROPOSAL FOR A DECISION

Adopted by single vote (P5_TA(2004)0024)

5.2. VAT on certain highly labour-intensive services * (Rule 110a) (vote)

Report on the proposal for a Council directive amending Directive 77/388/EEC with a view to extending the option to authorise Member States to apply reduced rates of VAT to certain highly labour-intensive services [COM(2003) 825 — C5-0653/2003 — 2003/0317(CNS)] — Committee on Economic and Monetary Affairs.

Rapporteur: Christa Randzio-Plath

(A5-0001/2004)

(Simple majority)

(Voting record: Annex 1, Item 2)

COMMISSION PROPOSAL and DRAFT LEGISLATIVE RESOLUTION

Adopted by single vote (P5_TA(2004)0025)

5.3. Mutual assistance in direct and indirect taxation ***I (Rule 110a) (vote)

Report on the proposal for a European Parliament and Council directive amending Directive 77/799/EEC concerning mutual assistance by the competent authorities of the Member States in the field of direct and indirect taxation [COM(2003) 446 — C5-0370/2003 — 2003/0170(COD)] — Committee on Economic and Monetary Affairs.

Rapporteur: Piia-Noora Kauppi

(A5-0466/2003)

(Simple majority)

(Voting record: Annex 1, Item 3)

COMMISSION PROPOSAL and DRAFT LEGISLATIVE RESOLUTION

Adopted by single vote (P5_TA(2004)0026)

5.4. Job creation by the service sector (Rule 110a) (vote)

Report on developing the service sector to create jobs [2003/2132(INI)] — Committee on Employment and Social Affairs.

Rapporteur: Rodi Kratsa-Tsagaropoulou

(A5-0479/2003)

(Simple majority)

(Voting record: Annex 1, Item 4)

Thursday 15 January 2004

MOTION FOR A RESOLUTION

Adopted by single vote (P5_TA(2004)0027)

5.5. Immigration, integration and employment (vote)

Report on the Communication from the Commission on immigration, integration and employment [COM(2003) 336 — 2003/2147(INI)] — Committee on Employment and Social Affairs.

Rapporteur: Claude Moraes

(A5-0445/2003)

(Simple majority)

(Voting record: Annex 1, Item 5)

MOTION FOR A RESOLUTION

Adopted (P5_TA(2004)0028)

The following spoke:

— The rapporteur moved an oral amendment to amendment 11 which was agreed to.

5.6. Illegal immigration, smuggling and trafficking of human beings (vote)

Report on the communication from the Commission to the European Parliament and the Council in view of the European Council of Thessaloniki on the development of a common policy on illegal immigration, smuggling and trafficking of human beings, external borders and the return of illegal residents [COM(2003) 323 — 2003/2156(INI)] — Committee on Citizens' Freedoms and Rights, Justice and Home Affairs.

Rapporteur: Hubert Pirker

(A5-0419/2003)

(Simple majority)

(Voting record: Annex 1, Item 6)

MOTION FOR A RESOLUTION

Adopted (P5_TA(2004)0029)

5.7. Implementation of Directive 96/71/EC (vote)

Report on the implementation of Directive 96/71/EC in the Member States [COM(2003) 458 — 2003/2168(INI)] — Committee on Employment and Social Affairs.

Rapporteur: Anne-Karin Glase

(A5-0448/2003)

(Simple majority)

(Voting record: Annex 1, Item 7)

MOTION FOR A RESOLUTION

Adopted (P5_TA(2004)0030)

Thursday 15 January 2004

5.8. Hedge funds and derivatives (vote)

Report on the future of hedge funds and derivatives [2003/2082(INI)] — Committee on Economic and Monetary Affairs.

Rapporteur: John Purvis

(A5-0476/2003)

(Simple majority)

(Voting record: Annex 1, Item 8)

MOTION FOR A RESOLUTION

Adopted (P5_TA(2004)0031)

The following spoke:

— The rapporteur moved oral amendments to paragraphs 3 and 27 which were agreed to. He also pointed out that amendment 2 had been withdrawn.

5.9. EU aid to Iran following the earthquake (vote)

Motions for resolution B5-0034/2004, B5-0035/2004, B5-0036/2004, B5-0037/2004, B5-0038/2004 and B5-0039/2004

(Simple majority)

(Voting record: Annex 1, Item 9)

MOTION FOR A RESOLUTION RC-B5-0034/2004

(replacing motions for resolution B5-0034/2004, B5-0035/2004, B5-0036/2004, B5-0037/2004, B5-0038/2004 and B5-0039/2004)

tabled by the following Members:

Michael Gahler, on behalf of the PPE-DE Group,

Enrique Barón Crespo, Margrietus J. van den Berg, Johannes (Hannes) Swoboda, Véronique De Keyser and Anna Terrón i Cusi, on behalf of the PSE Group,

Cecilia Malmström, on behalf of the ELDR Group,

Daniel Marc Cohn-Bendit, Monica Frassoni and Nelly Maes, on behalf of the Verts/ALE Group,

Pernille Frahm, Pedro Marset Campos and Esko Olavi Seppänen, on behalf of the GUE/NGL Group,

Gerard Collins, on behalf of the UEN Group.

Adopted (P5_TA(2004)0032)

6. Explanations of vote

Written explanations of vote:

Explanations of vote submitted in writing under Rule 137(3) appear in the verbatim report of proceedings for this sitting.

Thursday 15 January 2004

Oral explanations of vote:

Report Moraes — A5-0445/2003

— Manuel Pérez Álvarez

*
* * *

Carlo Fatuzzo had given notice that he would not be giving any explanations of vote.

7. Corrections to votes

Corrections to votes were submitted by the following Members:

Report Moraes — A5-0445/2003

— amendment 4

for: Marie-Thérèse Hermange

against: Astrid Thors

— paragraph 32, first part

for: Glyn Ford and Graham R. Watson

against: Johan Van Hecke, Roy Perry and Marie-Thérèse Hermange

— paragraph 32, second part

against: Marie-Thérèse Hermange

— resolution (as a whole)

for: Amalia Sartori

abstention: Johan Van Hecke

Report Pirker — A5-0419/2003

— paragraph 4

for: Seán Ó Neachtain

against: Karin Riis-Jørgensen, Marjo Matikainen-Kallström, Paavo Väyrynen and Richard A. Balfé

— amendment 4

for: Ilda Figueiredo

against: Malcolm Harbour and Per-Arne Arvidsson

— paragraph 17

for: Per-Arne Arvidsson, Charlotte Cederschiöld and Ioannis Marinou

against: Ilda Figueiredo and Ioannis Patakis

abstention: Véronique De Keyser

— recital G

for: Ioannis Patakis and Florence Kuntz

Report Purvis — A5-0476/2003

— resolution (as a whole)

against: Gilles Savary and Béatrice Patrie

(The sitting was suspended at 12.30 and resumed at 15.00.)

Thursday 15 January 2004

IN THE CHAIR: Alonso José PUERTA

Vice-President

8. Approval of Minutes of previous sitting

The Minutes of the previous sitting were approved.

9. Copyright (debate)

Report on a Community framework for collective management societies in the field of copyright and neighbouring rights [2002/2274(INI)] — Committee on Legal Affairs and the Internal Market.

Rapporteur: Raina A. Mercedes Echerer
(A5-0478/2003)

Raina A. Mercedes Echerer introduced the report.

Frits Bolkestein (Member of the Commission) spoke.

The following spoke: Othmar Karas (draftsman of the opinion of the ECON Committee), Malcolm Harbour, on behalf of the PPE-DE Group, Manuel Medina Ortega, on behalf of the PSE Group, Toine Manders, on behalf of the ELDR Group, Neil MacCormick, on behalf of the Verts/ALE Group, José Ribeiro e Castro, on behalf of the UEN Group, Marco Cappato, Non-attached Member, Eija-Riitta Anneli Korhola, Karin Junker and Frits Bolkestein.

The debate closed.

Vote: *Item 13.4*

DEBATE ON CASES OF BREACHES OF HUMAN RIGHTS, DEMOCRACY AND THE RULE OF LAW

(For the titles and authors of the motions for resolution, see Item 3 of the Minutes of Tuesday 13 January 2004)

10. Zimbabwe (debate)

Motions for resolution B5-0016/2004, B5-0022/2004, B5-0023/2004, B5-0030/2004 and B5-0033/2004.

Glyn Ford, José Ribeiro e Castro, Cecilia Malmström, James Nicholson (deputising for the author) and Bastiaan Belder introduced the motions for resolution.

Nelly Maesspoke.

IN THE CHAIR: Gérard ONESTA

Vice-President

The following spoke Eija-Riitta Anneli Korhola, on behalf of the PPE-DE Group, Michael Gahler and António Vitorino (Member of the Commission).

The debate closed.

Vote: *Item 13.1*

Thursday 15 January 2004

11. Burundi (debate)

Motions for resolution B5-0014/2004, B5-0017/2004, B5-0021/2004, B5-0024/2004, B5-0027/2004 and B5-0029/2004.

Glyn Ford, John Walls Cushman, Nelly Maes, Cecilia Malmström and Gerard Collins introduced motions for resolution.

The following spoke: Bernd Posselt, on behalf of the PPE-DE Group, and António Vitorino (Member of the Commission).

The debate closed.

Vote: *Item 13.2*

12. Haïti (debate)

Motions for resolution: B5-0015/2004, B5-0018/2004, B5-0019/2004, B5-0025/2004, B5-0028/2004, B5-0031/2004 and B5-0032/2004

Karin Junker, Michael Gahler, Marie Anne Isler Béguin and Ulla Margrethe Sandbæk introduced the motions for resolution.

The following spoke: Chantal Cauquil, who pointed out that she was not speaking in her capacity as author (the President took note of this), Glyn Ford, on behalf of the PSE Group, Bastiaan Belder, on behalf of the EDD Group, and António Vitorino (Member of the Commission).

The debate closed.

Vote: *Item 13.3*

END OF DEBATE ON BREACHES OF HUMAN RIGHTS, DEMOCRACY AND THE RULE OF LAW

13. Voting time

Details of voting (amendments, separate and split votes, etc.) appear in Annex 1 to the Minutes.

13.1. Zimbabwe (vote)

Motions for resolution B5-0016/2004, B5-0022/2004, B5-0023/2004, B5-0026/2004, B5-0030/2004, B5-0030/2004 and B5-0033/2004

(*Simple majority*)

(*Voting record: Annex 1, Item 10*)

MOTION FOR A RESOLUTION RC-B5-0016/2004

(replacing motions for resolution B5-0016/2004, B5-0022/2004, B5-0023/2004, B5-0030/2004 and B5-0033/2004)

Thursday 15 January 2004

tabled by the following Members:

Manuel Pérez Álvarez, Barbara Weiler, Elisabeth Schroedter, Bartho Pronk, Uma Aaltonen, Geoffrey Van Orden, John Alexander Corrie, Nirj Deva, Jacqueline Foster, Neil Parish, Charles Tannock, Mary Elizabeth Banotti, Michael Gahler, Eija-Riitta Anneli Korhola, Klaus-Heiner Lehne, Bernd Posselt and Lennart Sacré-deus, on behalf of the PPE-DE Group,
Margrietus J. van den Berg and Glenys Kinnock, on behalf of the PSE Group,
Jan Mulder, on behalf of the ELDR Group,
Niall Andrews and José Ribeiro e Castro, on behalf of the UEN Group,
Bastiaan Belder, on behalf of the EDD Group.

Adopted (P5_TA(2004)0033)

13.2. Burundi (vote)

Motions for resolution B5-0014/2004, B5-0017/2004, B5-0021/2004, B5-0024/2004, B5-0027/2004 and B5-0029/2004
(Simple majority)
(Voting record: Annex 1, Item 11)

MOTION FOR A RESOLUTION RC-B5-0014/2004

(replacing motions for resolution B5-0014/2004, B5-0017/2004, B5-0021/2004, B5-0024/2004, B5-0027/2004 and B5-0029/2004)

tabled by the following Members:

John Alexander Corrie, Jean-Pierre Bébéar, Vitaliano Gemelli and Bernd Posselt, on behalf of the PPE-DE Group,
Margrietus J. van den Berg and Francisca Sauquillo Pérez del Arco, on behalf of the PSE Group,
Cecilia Malmström, Johan Van Hecke and Colette Flesch, on behalf of the ELDR Group,
Nelly Maes, Patricia McKenna and Didier Rod, on behalf of the Verts/ALE Group,
Pedro Marset Campos, on behalf of the GUE/NGL Group,
Niall Andrews, Gerard Collins, Brian Crowley, James (Jim) Fitzsimons, Liam Hyland and Seán Ó Neachtain, on behalf of the UEN Group.

Adopted (P5_TA(2004)0034)

13.3. Haïti (vote)

Motions for resolution B5-0015/2004, B5-0018/2004, B5-0019/2004, B5-0025/2004, B5-0028/2004, B5-0031/2004 and B5-0032/2004
(Simple majority)
(Voting record: Annex 1, Item 12)

MOTION FOR A RESOLUTION RC-B5-0015/2004

(replacing motions for resolution B5-0015/2004, B5-0018/2004, B5-0019/2004, B5-0025/2004, B5-0028/2004, B5-0031/2004 and B5-0032/2004)

Thursday 15 January 2004

tabled by the following Members:

Bashir Khanbhai, Jas Gawronski, Bernd Posselt and Thierry Cornillet, on behalf of the PPE-DE Group,
Margrietus J. van den Berg, Marie-Arlette Carlotti and Karin Junker, on behalf of the PSE Group,
Colette Flesch, on behalf of the ELDR Group Inger Schörling, Didier Rod, Nelly Maes and Marie Anne Isler
Béguin, on behalf of the Verts/ALE Group,
Pedro Marset Campos, on behalf of the GUE/NGL Group,
Niall Andrews, on behalf of the UEN Group,
Ulla Margrethe Sandbæk and Bastiaan Belder, on behalf of the EDD Group.

Adopted (P5_TA(2004)0035)

13.4. Copyright (vote)

Report on a Community framework for collective management societies in the field of copyright and neighbouring rights [2002/2274(INI)] — Committee on Legal Affairs and the Internal Market.

Rapporteur: Raina A. Mercedes Echerer

(A5-0478/2003)

(Simple majority)

(Voting record: Annex 1, Item 13)

MOTION FOR A RESOLUTION

Adopted (P5_TA(2004)0036)

The following spoke:

— The rapporteur moved an oral amendment to paragraph 8 which was agreed to. Hans-Peter Martin declared a financial interest and said he would therefore not be taking part in the vote.

*

* *

Armonia Bordes and Chantal Cauquil had been present but did not take part in the vote on the resolutions on Zimbabwe, Burundi and Haiti.

14. Communication of common positions of the Council

The President announced, pursuant to Rule 74(1), that the following common positions had been received from the Council, together with the reasons which had led to their adoption, and the Commission's position on:

— Common position adopted by the Council with a view to adopting a regulation of the European Parliament and of the Council on the hygiene of foodstuffs (— C5-0008/2004 — 2000/0178(COD) — 10543/2/02 — SEC(03) 1450 — 12133/2003)

referred to responsible: ENVI

asked for opinion at first reading: AGRI, ITRE, PECH

— Common position adopted by the Council with a view to adopting a regulation of the European Parliament and of the Council laying down specific hygiene rules for food of animal origin (— C5-0009/2004 — 2000/0179(COD) — 5420/2/03 — SEC(03) 1450 — 12133/2003)

referred to responsible: ENVI

asked for opinion at first reading: AGRI, ITRE, PECH

Thursday 15 January 2004

- Common position adopted by the Council with a view to adopting a Directive of the European Parliament and of the Council repealing certain Directives concerning food hygiene and health conditions for the production and placing on the market of certain products of animal origin intended for human consumption and amending Council Directives 89/662/EEC and 92/118/EEC and Council Decision 95/408/EC (— C5-0010/2004 — 2000/0182(COD) — 11584/1/03 — SEC(03) 1450 — 12133/2003)
referred to responsible: ENVI
asked for opinion at first reading: AGRI, ITRE, PECH

- Common position adopted by the Council with a view to adopting a Regulation of the European Parliament and of the Council laying down specific rules for the organisation of official controls on products of animal origin intended for human consumption (— C5-0011/2004 — 2002/0141(COD) — 11582/1/03 — SEC(03) 1450 — 12133/2003)
referred to responsible: ENVI
asked for opinion at first reading: AGRI, ITRE, PECH

- Common position adopted by the Council with a view to adopting a Regulation of the European Parliament and of the Council on insurance requirements for air carriers and aircraft operators (— C5-0012/2004 — 2002/0234(COD) — 13910/1/03 — COM(2004) 0006 — 15251/2003)
referred to responsible: RETT
asked for opinion at first reading: JURI

- Common position adopted by the Council with a view to adopting a European Parliament and Council Regulation on the negotiation and implementation of air service agreements between Member States and third countries (— C5-0013/2004 — 2003/0044(COD) — 13732/1/03 — COM(03) 0008 — 15247/2003)
referred to responsible: RETT
asked for opinion at first reading: JURI, LIBE

- Common position adopted by the Council with a view to adopting a Directive of the European Parliament and of the Council on the right of citizens of the Union and their family members to move and reside freely within the territory of the Member States, amending Regulation (EEC) No 1612/68 and repealing Directives 64/221/EEC, 68/360/EEC, 72/194/EEC, 73/148/EEC, 75/34/EEC, 75/35/EEC, 90/364/EEC, 90/365/EEC and 93/96/EE (— C5-0014/2004 — 2001/0111(COD) — 13263/3/03 — COM(2004) 0014 — 14067/2003)
referred to responsible: LIBE
asked for opinion at first reading: CULT, EMPL, FEMM, JURI, PETI

- Common position adopted by the Council with a view to adopting a Directive of the European Parliament and of the Council on markets in financial instruments, amending Council Directives 85/611/EEC and 93/6/EEC and Directive 2000/12/EC of the European Parliament and of the Council and repealing Council Directive 93/22/EEC (— C5-0015/2004 — 2002/0269(COD) — 13421/3/03 — COM(2004) 0015 — 15277/2003)
referred to responsible: ECON
asked for opinion at first reading: JURI

- Common position adopted by the Council with a view to adopting a Directive of the European Parliament and of the Council on the minimum health and safety requirements regarding the exposure of workers to the risks arising from physical agents (electromagnetic fields) (18th individual Directive within the meaning of Article 16(1) of Directive 89/391/EEC) (— C5-0016/2004 — 1992/0449C(COD) — 13599/1/03 — COM(2004) 0014 — 15620/2003)
referred to responsible: EMPL
asked for opinion at first reading: BUDG

- Common position adopted by the Council with a view to adopting a Decision of the European Parliament and of the Council on Interoperable Delivery of pan-European eGovernment Services to Public Administrations, Businesses and Citizens (IDABC) (— C5-0017/2004 — 2003/0147(COD) — 14816/1/03 — COM(2004) 0013 — 15208/2003)
referred to responsible: ITRE
asked for opinion at first reading: BUDG, LIBE

Thursday 15 January 2004

- Common position adopted by the Council with a view to adopting a Regulation of the European Parliament and of the Council concerning protection against subsidisation and unfair pricing practices in the supply of airline services from countries not members of the European Community (— C5-0018/2004 — 2002/0067(COD) — 14141/1/03 — COM(2004) 0007 — 15748/2003)
referred to responsible: RETT
asked for opinion at first reading: ECON, ITRE

- Common position adopted by the Council with a view to adopting a Directive of the European Parliament and of the Council On the limitation of emissions of volatile organic compounds due to the use of organic solvents in decorative paints and varnishes and vehicle refinishing products and amending Directive 1999/13/EC (— C5-0019/2004 — 2002/0301(COD) — 14780/2/03 — COM(2004) 0016 — 15554/2003)
referred to responsible: ENVI
asked for opinion at first reading: ITRE, RETT

- Common position adopted by the Council with a view to adopting a Regulation of the European Parliament and of the Council on quarterly financial accounts for general government (— C5-0020/2004 — 2003/0095(COD) — 15172/1/03 — COM(03) 0025 — 15751/2003)
referred to responsible: ECON

- Common position adopted by the Council with a view to adopting a European Parliament and Council decision establishing a Community action programme to promote bodies active at European level in the field of youth (— C5-0021/2004 — 2003/0113(COD) — 15327/1/03 — COM(2004) 0005 — 15977/2003)
referred to responsible: CULT
asked for opinion at first reading: BUDG, CONT

- Common position adopted by the Council with a view to adopting a European Parliament and Council decision establishing a Community action programme to promote bodies active at European level and support specific activities in the field of education and training (— C5-0022/2004 — 2003/0114(COD) — 15334/1/03 — COM(0)0004 — 15978/2003)
referred to responsible: CULT
asked for opinion at first reading: BUDG, CONT, LIBE

- Common position adopted by the Council with a view to adopting a European Parliament and Council Decision establishing a Community action programme to promote bodies active at European level in the field of culture (— C5-0023/2004 — 2003/0115(COD) — 15331/1/03 — COM(2004) 0003 — 15979/2003)
referred to responsible: CULT
asked for opinion at first reading: BUDG, CONT

The three-month period available to Parliament to adopt its position would therefore begin the following day, 16 January 2004.

15. Deadline for the tabling of amendments

The President announced that the deadlines for the following items on the agenda for the sitting of 28 January had been extended as follows:

Commission statement on competition policy,

Oral question to the Commission — European Space policy (B5-0003/2004) and

Oral question to the Commission — The future of the textiles and clothing sector in the enlarged European Union (B5-0004/2004):

— motions for resolution: Thursday 22 January at 12:00

— amendments and joint motions for resolution: Monday 26 January at 12:00.

Thursday 15 January 2004

16. Cooperation between committees — amendment of title of report

Cooperation between committees

Rule 162a is applied to the following report:

RETT:

- Implementation of Directive 2002/15/EC and Regulations (EEC) Nos 3820/85 and 3821/85 concerning social legislation relating to road transport activities (COM(2003) 628 — C5-0601/2003 — 2003/0255(COD))
(Asked for opinion: EMPL)

Rule 162a procedure between RETT and EMPL

(Conference of Presidents' decision of 8 January 2004)

Amendment to the title of a report already authorised by the Conference of Presidents

JURI:

- 'Community framework for collecting societies in the field of copyright and related rights' (2002/2274(INI)) (Minutes of 16 January 2003)(Former title: Community framework for collecting societies for authors' rights)

17. Written declarations included in the register (Rule 51)

Number of signatures obtained by the written declarations in the register (Rule 51(3)):

Document No	Author	Signatures
21/2003	María Sornosa Martínez	47
22/2003	Jean-Claude Martinez, Carl Lang, Bruno Gollnisch and Marie-France Stirbois	7
23/2003	Mark Francis Watts, Catherine Stihler and Phillip Whitehead	111
24/2003	Cristiana Muscardini	66
25/2003	Marie Anne Isler Béguin, Inger Schörling, Paul A.A.J.G. Lannoye, Gérard Onesta and Yves Piétrasanta	34
26/2003	Caroline Lucas, Ulla Margrethe Sandbæk and Pernille Frahm	36
27/2003	Marco Cappato and Daniel Marc Cohn-Bendit	71
28/2003	Sebastiano (Nello) Musumeci, Cristiana Muscardini, Mauro Nobilia and Adriana Poli Bortone	23
29/2003	Chris Davies, Johanna L.A. Boogerd-Quaak, Marco Cappato, Anna Karamanou, Michiel van Hulten and Michiel van Hulten	60
30/2003	Michl Ebner, Jacqueline Foster, Martin Callanan, Ian Twinn, Timothy Kirkhope and Timothy Kirkhope	48
31/2003	José Ribeiro e Castro	21
1/2004	Richard Howitt, Mario Mantovani, Elizabeth Lynne, Patricia McKenna and Ilda Figueiredo	87
2/2004	Marie Anne Isler Béguin	10
3/2004	Philip Claeys and Koenraad Dillen	13

Thursday 15 January 2004

18. Forwarding of texts adopted during the sitting

Pursuant to Rule 148(2), the Minutes of that day's sitting would be submitted to Parliament for its approval at the beginning of the next sitting.

With Parliament's agreement, the texts that had been adopted would be forwarded forthwith to the bodies named therein.

19. Dates for next sittings

The next sittings would be held on 28 and 29 January 2004.

20. Adjournment of session

The session of the European Parliament was adjourned.

The sitting closed at 16.55.

Julian Priestley
Secretary-General

Pat Cox
President

Thursday 15 January 2004

ATTENDANCE REGISTER

The following signed:

Aaltonen, Abitbol, Adam, Nuala Ahern, Ainardi, Almeida Garrett, Alyssandrakis, Andersen, Andersson, Andreasen, Andrews, Andria, Angelilli, Aparicio Sánchez, Arvidsson, Atkins, Attwooll, Avilés Perea, Bakopoulos, Balfe, Baltas, Banotti, Bartolozzi, Bastos, Bayona de Perogordo, Beazley, Belder, Berend, Berenguer Fuster, Berès, van den Berg, Bergaz Conesa, Berger, Berlato, Bernié, Berthu, Bigliardo, Blak, Blokland, Bösch, von Boetticher, Bonde, Bonino, Bordes, Borghezio, Boumediene-Thiery, Bourlanges, Bowe, Bowis, Bradbourn, Bremmer, Breyer, Brie, Brienza, Brok, Buitenweg, Bullmann, Bushill-Matthews, Busk, Butel, Callanan, Calò, Camisón Asensio, Campos, Camre, Cappato, Cardoso, Carlotti, Casaca, Cashman, Caudron, Cauquil, Cederschiöld, Celli, Ceyhun, Chichester, Claeys, Cocilovo, Coelho, Cohn-Bendit, Collins, Colom i Naval, Corbett, Corbey, Cornillet, Corrie, Paolo Costa, Raffaele Costa, Cox, Crowley, Cushnahan, van Dam, Dary, Daul, Davies, De Clercq, Dehousse, De Keyser, Dell'Alba, Deprez, De Sarnez, Descamps, De Veyrac, Dhaene, Díez González, Di Lello Finuoli, Dillen, Dover, Doyle, Dührkop Dührkop, Duff, Duhamel, Duin, Dupuis, Dybkjær, Ebner, Echerer, El Khadraoui, Elles, Esclopé, Ettl, Jillian Evans, Jonathan Evans, Robert J.E. Evans, Färm, Fatuzzo, Fava, Fernández Martín, Ferrández Lezaun, Ferreira, Ferrer, Ferri, Figueiredo, Fiori, Fitzsimons, Flautre, Flemming, Flesch, Florenz, Ford, Formentini, Foster, Fourtou, Frahm, Frassoni, Fruteau, Gahler, Gahrton, Garaud, García-Margallo y Marfil, García-Orcyoy Tormo, Gargani, Garot, Gasòliba i Böhm, de Gaulle, Gebhardt, Gemelli, Gill, Gillig, Gil-Robles Gil-Delgado, Glante, Glase, Gobbo, Goebbels, Goepel, Görlach, Gollnisch, Gomolka, Goodwill, Gorostiaga Atxalandabaso, Gouveia, Graefe zu Baringdorf, Graça Moura, Gröner, Grönfeldt Bergman, Grosch, Grossetête, Gutiérrez-Cortines, Guy-Quint, Hänsch, Hager, Hannan, Harbour, Hatzidakis, Haug, Hazan, Heaton-Harris, Hedkvist Petersen, Helmer, Herranz García, Herzog, Hoff, Honeyball, Hortefeux, Howitt, Hudghton, Hughes, Hume, Hyland, Iivari, Ilgenfritz, Imbeni, Inglewood, Isler Béguin, Izquierdo Collado, Izquierdo Rojo, Jackson, Jarzembowski, Jean-Pierre, Jeggel, Jensen, Jöns, Jonckheer, Jové Peres, Junker, Karamanou, Karas, Karlsson, Kastler, Kaufmann, Keppelhoff-Wiechert, Keßler, Khanbhai, Kindermann, Glenys Kinnock, Klaß, Koch, Korhola, Koukiadis, Koulourianos, Krarup, Krehl, Kreissl-Dörfler, Kronberger, Kuhne, Kuntz, Lage, Lagendijk, Laguiller, Lalumière, Lamassoure, Lambert, Lang, Lange, Langen, Langenhagen, Lannoye, de La Perriere, Laschet, Lavarra, Lechner, Lehne, Leinen, Linkohr, Lisi, Ludford, Lulling, Lund, Lynne, Maat, Maaten, McAvan, McCarthy, McCartin, MacCormick, McKenna, McMillan-Scott, Maes, Malliori, Malmström, Manders, Erika Mann, Thomas Mann, Marinho, Marini, Marinos, Markov, Marques, Marsset Campos, Martens, Hans-Peter Martin, Hugues Martin, Martinez, Martínez Martínez, Mastorakis, Mathieu, Matikainen-Kallström, Hans-Peter Mayer, Xaver Mayer, Mayol i Raynal, Medina Ortega, Meijer, Méndez de Vigo, Mendiluce Pereiro, Menéndez del Valle, Menrad, Miguélez Ramos, Miller, Miranda, Miranda de Lage, Modrow, Mombaur, Monsonís Domingo, Montfort, Moraes, Morillon, Müller, Mulder, Musotto, Myller, Nair, Napoletano, Naranjo Escobar, Nassauer, Newton Dunn, Nicholson, Nisticò, Nobilia, Nordmann, Olsson, Ó Neachtain, Onesta, Oreja Arburúa, Ortuondo Larrea, O'Toole, Paasilinna, Pacheco Pereira, Paciotti, Pack, Pannella, Parish, Pastorelli, Patakis, Patrie, Paulsen, Pérez Álvarez, Perry, Pesälä, Piecyk, Piétrasanta, Pirker, Píscarreta, Pittella, Plooi-j-van Gorsel, Podestà, Poettering, Pohjamo, Poignant, Poli Bortone, Pomés Ruiz, Poos, Posselt, Prets, Procacci, Pronk, Provan, Puerta, Purvis, Queiró, Quisthoudt-Rowohl, Rack, Radwan, Rapkay, Raschhofer, Raymond, Read, Ribeiro e Castro, Ries, Riis-Jørgensen, Ripoll y Martínez de Bedoya, Rocard, Rod, Rodríguez Ramos, de Roo, Roth-Behrendt, Rothe, Roure, Rovsing, Rübige, Rühle, Ruffolo, Rutelli, Sacconi, Sacrédeus, Saint-Josse, Sakellariou, Salafranca Sánchez-Neyra, Sandberg-Fries, Sandbæk, Santer, Santini, dos Santos, Sartori, Sauquillo Pérez del Arco, Savary, Sbarbati, Scallon, Scarbonchi, Schaffner, Scheele, Schierhuber, Schleicher, Herman Schmid, Schmitt, Ilka Schröder, Jürgen Schröder, Schulz, Schwaiger, Seppänen, Simpson, Sjöstedt, Skinner, Smet, Soares, Sörensen, Sommer, Sornosa Martínez, Souchet, Souladakis, Stenmarck, Sterckx, Stevenson, Stihler, Stirbois, Stockmann, Stockton, Sturdy, Sudre, Suominen, Swiebel, Swoboda, Sørensen, Tajani, Tannock, Terrón i Cusí, Theato, Theorin, Thomas-Mauro, Thorning-Schmidt, Thors, Titley, Torres Marques, Trakatellis, Turco, Turmes, Twinn, Vachetta, Väyrynen, Vairinhos, Valdivielso de Cué, Valenciano Martínez-Orozco, Vallvé, Van Hecke, Van Lancker, Van Orden, Varela Suanzes-Carpegna, van Velzen, de Veyrinas, Vidal-Quadras Roca, Villiers, Virrankoski, Vlasto, Voggenhuber, Volcic, Wallis, Walter, Watson, Watts, Weiler, Wenzel-Perillo, Wiersma, Wijkman, von Wogau, Wuori, Wurtz, Wyn, Wynn, Zabell, Zacharakis, Zappalà, Zimeray, Zimmerling, Zissener, Zorba

Observers

Bastys, Biela, Chronowski, Cilevičs, Czinege, Demetriou, Didžiokas, Ékes, Falbr, Fazakas, Filipek, Germič, Giertych, Grzebisz-Nowicka, Grzyb, Ilves, Kelemen, Kiršteins, Kłopotek, Klukowski, Konečná, Kósáné Kovács, Kowalska, Kriščiūnas, Daniel Kroupa, Kubovič, Kuzmickas, Kvietkauskas, Laar, Lepper, Libicki,

Thursday 15 January 2004

Lisak, Lydeka, Łyżwiński, Maldeikis, Mallotová, Maštálka, Mavrou, Palečková, Pasternak, Pęczak, Plokšto, Podgórski, Pospíšil, Savi, Smorawiński, Szczygło, Tabajdi, Tomaka, Tomczak, Vadai, Valys, Vastagh, Vella, Vésaité, Wiśniowska, Wittbrodt, Záborská

Thursday 15 January 2004

ANNEX I

RESULTS OF VOTES

Abbreviations and symbols

+	adopted
-	rejected
↓	lapsed
W	withdrawn
RCV (... , ... , ...)	roll-call vote (for, against, abstentions)
EV (... , ... , ...)	electronic vote (for, against, abstentions)
split	split vote
sep	separate vote
am	amendment
CA	compromise amendment
CP	corresponding part
D	deleting amendment
=	identical amendments
§	paragraph
art	article
rec	recital
MOT	motion for a resolution
JT MOT	joint motion for a resolution
SEC	secret ballot

1. Dock dues in the French overseas department *

procedure without report (C5-0656/2003)

Subject	RCV, etc.	Vote	RCV/EV — remarks
vote: proposal for a decision		+	

2. VAT on certain highly labour-intensive services *

Report: RANDZIO-PLATH (A5-0001/2004)

Subject	RCV, etc.	Vote	RCV/EV — remarks
single vote		+	

Thursday 15 January 2004

3. Mutual assistance in direct and indirect taxation ***I

Report: KAUPPI (A5-0466/2003)

Subject	RCV, etc.	Vote	RCV/EV — remarks
<i>single vote</i>		+	

4. Job creation by the service sector

Report: KRATSA-TSAGAROPOULOU (A5-0479/2003)

Subject	RCV, etc.	Vote	RCV/EV — remarks
<i>single vote</i>		+	

5. Immigration, integration and employment

Report: MORAES (A5-0445/2003)

Subject	Am no.	Author	RCV, etc.	Vote	RCV/EV — remarks
§ 1	11	GUE/NGL	RCV	+	amended orally 241,158,6
	§	original text	RCV	↓	
§ 7	5	GUE/NGL	EV	-	190,192,3
§ 9	1	PPE-DE		+	
§ 10, indent 1	6	GUE/NGL	EV	-	71,231,112
§ 11	2	PPE-DE	EV	+	222,200,3
§ 18	3	PPE-DE	EV	+	304,111,6
§ 19	12	GUE/NGL	EV	+	231,191,3
after § 25	13	GUE/NGL	split		
			1/EV	+	229,211,5
			2/EV	-	193,253,7
§ 28		original text	sep	+	
§ 32	4	PPE-DE	RCV	-	209,238,3
	§	original text	split/RCV		
			1	+	243,204,2
2	+	233,223,0			
after § 40	7	GUE/NGL	EV	+	241,200,4
§ 46	14	GUE/NGL			
			1	+	
			2	+	
§		original text		↓	

Thursday 15 January 2004

Subject	Am no.	Author	RCV, etc.	Vote	RCV/EV — remarks
after recital A	8	GUE/NGL	split		
			1	+	
			2/EV	-	148,234,75
recital B	9	GUE/NGL		+	
recital F	10	GUE/NGL		+	
vote: resolution (as a whole)			RCV	+	255,192,20

Requests for roll-call votes

PPE-DE am 4
PSE am 4
ELDR final vote
GUE/NGL § 32, am 11

Requests for separate vote

EDD § 28

Requests for split votes

ELDR

am 8

1st part: up to 'countries of origin'
2nd part: remainder

am 13

1st part: text as a whole apart from the word 'automatic'
2nd part: that word

am 14

1st part: up to 'international legislation'
2nd part: remainder

UEN

§ 32

1st part: text as a whole apart from the words 'and European'
2nd part: those words

Other information

The rapporteur proposed an oral amendment to amendment 11, aimed at replacing the current §1, in the following terms:

Notes this Commission initiative in line with the Tampere European Council's emphasis on developing a more effective migration and integration policy regarding third country nationals in the EU; this is the first time that even-handed consideration has been given to three vital and inter-related issues: managing migration to the EU in a context of ageing working age populations; improving the integration of migrants in the EU; and the need for co-operation with countries of origin; **believes that the fight against illegal immigration and trafficking in people must not give rise to a repressive policy aimed at immigrants in irregular circumstances, but should, rather, target the traffickers and employers who exploit those circumstances (second part of am 11)**

The President established that there was no objection to the oral amendment.

Thursday 15 January 2004

6. Illegal immigration, smuggling and trafficking of human beings

Report: PIRKER (A5-0419/2003)

Subject	Am no.	Author	RCV, etc.	Vote	RCV/EV — remarks
§ 1	2	GUE/NGL		-	
§ 4		original text	RCV	+	277,129,47
§ 5		original text	split		
			1	+	
			2/EV	+	242,164,37
§ 9	3	GUE/NGL	RCV	+	260,202,2
	§	original text		↓	
§ 17	4	GUE/NGL	RCV	-	119,333,7
	§	original text	RCV	+	299,136,18
§ 25	5	GUE/NGL	split/RCV		
			1	+	421,23,13
			2	-	204,248,2
§ 33	1	PSE	EV	-	183,247,33
	§	original text	sep	+	
recital E		original text	split		
			1	+	
			2/EV	-	182,276,1
recital G		original text	RCV	+	459,2,2
vote: resolution (as a whole)				+	

Requests for roll-call votes

PPE-DE § 4

GUE/NGL rec G, § 17, ams 3, 4, 5

Requests for separate vote

ELDR §§ 4, 17

Verts/ALE § 33

Requests for split votes

PSE

§ 5

1st part: up to 'of external borders'

2nd part: remainder

ELDR

recital E

1st part: up to 'would do likewise'

2nd part: remainder

am 5

1st part: up to 'treatment or punishment'

2nd part: remainder

Thursday 15 January 2004

7. Implementation of Directive 96/71/EC

Report: GLASE (A5-0448/2003)

Subject	Am no.	Author	RCV, etc.	Vote	RCV/EV — remarks
after § 2	2	Verts/ALE, GUE/NGL	RCV	-	123,329,8
after § 4	3	Verts/ALE, GUE/NGL	RCV	-	75,371,13
after § 6	4	Verts/ALE, GUE/NGL		+	
§ 13	1	PSE		+	
vote: resolution (as a whole)				+	

Requests for roll-call votes

Verts/ALE ams 2, 3

8. Hedge funds and derivatives

Report: PURVIS (A5-0476/2003)

Subject	Am no.	Author	RCV, etc.	Vote	RCV/EV — remarks
§ 3		original text		+	Amended orally
§ 3	10	PSE		↓	
§ 4	11	PSE		-	
	§	original text	split		
			1	+	
2/EV	+	227,192,2			
§ 5		original text	sep/EV	+	217,186,1
§ 12		original text	split		
			1	+	
			2/EV	+	221,196,5
§ 16	3	PPE-DE		+	
§ 21	4	PPE-DE		+	
§ 25	5	PPE-DE		+	
§ 27		original text		+	Amended orally
§ 27	6	PPE-DE		↓	
§ 31	12	PSE		+	
§ 33	7	PPE-DE		+	
after recital B	1	PPE-DE		+	
recital J	8	PSE		+	
recital K	9	PSE	EV	-	187,242,5
	§	original text	sep	+	
recital S		original text	sep	+	

Thursday 15 January 2004

Subject	Am no.	Author	RCV, etc.	Vote	RCV/EV — remarks
rec T		original text	sep	+	
recital V		original text	sep	+	
rec X	2	PPE-DE		W	
vote: resolution (as a whole)			RCV	+	344,69,24

Requests for roll-call votes

PPE-DE final vote
PSE final vote

Requests for separate vote

PSE recs K, S, T, V, § 5

Requests for split votes

PSE

§ 4

1st part: text as a whole apart from the words 'light handed'

2nd part: those words

§ 12

1st part: text as a whole apart from the words 'light handed'

2nd part: those words

Other information

The rapporteur proposed an oral amendment to paragraph 3 to read as follows:

Feels it is opportune to facilitate access to SAIVs for the moderately affluent investor and, in due course, the retail investor, **when the different regulatory authorities at European level recommend it is appropriate**, and that regulated funds of hedge funds could play a vital role in this gradual process

The President established that there was no objection to the oral amendment.

The rapporteur proposed an oral amendment to paragraph 27 to read as follows:

Calls on the Commission to instigate, along with national and relevant international institutions, a means of measuring and monitoring global exposure in derivatives and, in particular, the accumulated credit risk (including settlement risk) of credit derivatives; stresses that only those with **appropriate** capital cover may deal in derivatives, in order that, in periods of crisis, losses do not have to be borne by taxpayers.

The President established that there was no objection to the oral amendment.

9. EU aid to Iran following the earthquake

Motions for resolutions: B5-0034, 0035, 0036, 0037, 0038 and 0039/2004

Subject	Am no.	Author	RCV, etc.	Vote	RCV/EV — remarks
joint motion for a resolution RC5-0034/2004 (PPE-DE, PSE, ELDR, Verts/ALE, GUE/NGL and UEN)					
after § 8	2	PSE	EV	+	219,169,12

Thursday 15 January 2004

Subject	Am no.	Author	RCV, etc.	Vote	RCV/EV — remarks
recital N	1	Verts/ALE et al	EV	-	137,166,99
vote: resolution (as a whole)				+	
motions for resolutions by political groups					
B5-0034/2004		Verts/ALE		↓	
B5-0035/2004		GUE/NGL		↓	
B5-0036/2004		UEN		↓	
B5-0037/2004		PPE-DE		↓	
B5-0038/2004		PSE		↓	
B5-0039/2004		ELDR		↓	

10. Zimbabwe

Motions for resolutions: B5-0016, 0020, 0022, 0023, 0026, 0030 and 0033/2004

Subject	Am no.	Author	RCV, etc.	Vote	RCV/EV — remarks
joint motion for a resolution RC5-0016/2004 (PPE-DE, PSE, ELDR, UEN, EDD)					
§ 5		original text	sep	+	
§ 6		original text	sep	+	
§ 11		original text	sep	+	
§ 12		original text	sep	+	
vote: resolution (as a whole)			RCV	+	66,4,2
motions for resolutions by political groups					
B5-0016/2004		PSE		↓	
B5-0020/2004		Verts/ALE		↓	
B5-0022/2004		UEN		↓	
B5-0023/2004		ELDR		↓	
B5-0026/2004		GUE/NGL		↓	
B5-0030/2004		PPE-DE		↓	
B5-0033/2004		EDD		↓	

Requests for roll-call votes

PPE-DE final vote of the JT MOT

PSE final vote of the JT MOT

Requests for separate vote

Verts/ALE §§ 5, 6, 11, 12 of the JT MOT

Thursday 15 January 2004

11. Burundi

Motions for resolutions: B5-0014, 0017, 0021, 0024, 0027 and 0029/2004

Subject	Am no.	Author	RCV, etc.	Vote	RCV/EV — remarks
joint motion for a resolution RC5-0014/2004 (PPE-DE, PSE, ELDR, Verts/ALE, GUE/NGL, UEN)					
vote: resolution (as a whole)			RCV	+	72,0,1
motions for resolutions by political groups					
B5-0014/2004		PSE		↓	
B5-0017/2004		PPE-DE		↓	
B5-0021/2004		Verts/ALE		↓	
B5-0024/2004		ELDR		↓	
B5-0027/2004		GUE/NGL		↓	
B5-0029/2004		UEN		↓	

Requests for roll-call votes

PSE final vote of the JT MOT

12. Haiti

Motions for resolutions: B5-0015, 0018, 0019, 0025, 0028, 0031 and 0032/2004

Subject	Am no.	Author	RCV, etc.	Vote	RCV/EV — remarks
joint motion for a resolution RC5-0015/2004 (PPE-DE, PSE, ELDR, Verts/ALE, GUE/NGL, UEN, EDD)					
vote: resolution (as a whole)			RCV	+	73,0,0
motions for resolutions by political groups					
B5-0015/2004		PSE		↓	
B5-0018/2004		PPE-DE		↓	
B5-0019/2004		Verts/ALE		↓	
B5-0025/2004		ELDR		↓	
B5-0028/2004		GUE/NGL		↓	
B5-0031/2004		UEN		↓	
B5-0032/2004		EDD		↓	

Requests for roll-call votes

PSE final vote of the JT MOT

Thursday 15 January 2004

13. Copyright

Report: ECHERER (A5-0478/2003)

Subject	Am no.	Author	RCV, etc.	Vote	RCV/EV — remarks
§ 8				+	Amended orally
vote: resolution (as a whole)				+	

Other information

The rapporteur proposed an oral amendment to §8 to read as follows:

Notes that, in the area of collective exercise of rights, ***necessitated, inter alia*** by the enlargement of the European Union, ***appropriate means are needed and action might need to be taken;***

(the President established that there was no objection to this oral amendment).

Thursday 15 January 2004

ANNEX II

RESULT OF ROLL-CALL VOTES

Moraes report A5-0445/2003

Amendment 11

For: 241

EDD: Andersen, Bonde, Sandbæk**ELDR:** Andreasen, Attwooll, Busk, Calò, Davies, De Clercq, Duff, Dybkjær, Flesch, Formentini, Gasòliba i Böhm, Jensen, Ludford, Lynne, Maaten, Malmström, Manders, Monsonís Domingo, Mulder, Newton Dunn, Olsson, Paulsen, Pesälä, Plooi-j-van Gorsel, Pohjamo, Procacci, Riis-Jørgensen, Rutelli, Sbarbati, Sterckx, Sørensen, Thors, Väyrynen, Vallvé, Van Hecke, Virrankoski, Wallis, Watson**GUE/NGL:** Ainardi, Alyssandrakis, Bakopoulos, Bergaz Conesa, Blak, Bordes, Brie, Caudron, Cauquil, Di Lello Finuoli, Figueiredo, Frahm, Herzog, Jové Peres, Kaufmann, Koulourianos, Krarup, Laguiller, Manisco, Markov, Marset Campos, Meijer, Modrow, Patakis, Puerta, Scarbonchi, Schmid Herman, Schröder Ilka, Sjøstedt, Vachetta, Wurtz**NI:** Bonino, Cappato, Dupuis, Gorostiaga Atxalandabaso, Pannella, Turco**PPE-DE:** Arvidsson, Ebner, Ferri, Glase, Grönfeldt Bergman, Smet, Stenmarck, Vidal-Quadras Roca, Wijkman**PSE:** Andersson, Aparicio Sánchez, Baltas, Berenguer Fuster, Berès, van den Berg, Berger, Bösch, Bullmann, Campos, Carlotti, Casaca, Cashman, Cercas, Ceyhun, Corbett, Corbey, De Keyser, Díez González, Dührkop Dührkop, Duhamel, Duin, El Khadraoui, Ettl, Evans Robert J.E., Färm, Ferreira, Ford, Fruteau, Garot, Gebhardt, Gillig, Glante, Goebbels, Görlach, Guy-Quint, Haug, Hazan, Hedkvist Petersen, Hoff, Honeyball, Howitt, van Hulten, Hume, Iivari, Imbeni, Izquierdo Collado, Izquierdo Rojo, Karamanou, Karlsson, Keßler, Kindermann, Kinnock, Koukiadis, Krehl, Kreissl-Dörfler, Kuhne, Lage, Lalumière, Lavarra, Linkohr, Lund, McAvan, McCarthy, Malliori, Mann Erika, Martin Hans-Peter, Martínez Martínez, Mastorakis, Medina Ortega, Mendiluce Pereiro, Menéndez del Valle, Miguélez Ramos, Miller, Miranda de Lage, Moraes, Müller, Myller, Napoletano, O'Toole, Paciotti, Patrie, Piecyk, Pittella, Poignant, Poos, Rapkay, Read, Rocard, Roth-Behrendt, Rothe, Roure, Ruffolo, Sacconi, Sakellariou, Sandberg-Fries, dos Santos, Scheele, Schulz, Simpson, Skinner, Soares, Sornosa Martínez, Souladakis, Stihler, Stockmann, Swiebel, Swoboda, Terrón i Cusí, Theorin, Titley, Vairinhos, Van Lancker, Volcic, Walter, Watts, Weiler, Wiersma, Wynn, Zorba**UEN:** Bigliardo, Crowley, Fitzsimons, Hyland, Ó Neachtain, Poli Bortone, Ribeiro e Castro, Thomas-Mauro**Verts/ALE:** Aaltonen, Ahern, Boumediene-Thiery, Breyer, Buitenweg, Celli, Cohn-Bendit, Dhaene, Echerer, Evans Jillian, Ferrández Lezaun, Flautre, Hudghton, Isler Béguin, Lambert, MacCormick, McKenna, Mayol i Raynal, Onesta, Rod, de Roo, Sörensen, Turmes, Voggenhuber, Wuori, Wyn

Against: 158

EDD: Belder, van Dam**NI:** Berthu, Claeys, Dillen, Garaud, de Gaulle, Gollnisch, Hager, Ilgenfritz, Kronberger, Lang, de La Perriere, Martinez, Souchet, Stirbois**PPE-DE:** Almeida Garrett, Andria, Atkins, Avilés Perea, Balfé, Bastos, Bayona de Perogordo, Beazley, Berend, von Boetticher, Bourlanges, Bowis, Bradbourn, Bremmer, Brienza, Brok, Bushill-Matthews, Callanan, Camisón Asensio, Cardoso, Chichester, Cocilovo, Coelho, Cornillet, Corrie, Cushnahan, Daul, Deprez, De Sarnez, Descamps, De Veyrac, Dover, Doyle, Elles, Evans Jonathan, Fatuzzo, Ferrer, Fiori, Flemming, Florenz, Foster, Fourtoul, García-Margallo y Marfil, García-Orcoyen Tormo, Gargani, Gemelli, Gil-Robles Gil-Delgado, Goepel, Gomolka, Goodwill, Gouveia, Graça Moura, Grosch, Grossetête, Harbour, Heaton-Harris, Helmer, Hermange, Hernández Mollar, Herranz García, Inglewood, Jarzembowski, Jeggel, Karas, Keppelhoff-Wiechert, Khanbhai, Klamt, Klaß, Koch, Korhola, Lamassoure, Langen, Langenhagen, Lechner, Lisi, Lulling, Maat, Mann Thomas, Marini, Marinos, Marques, Martin Hugues, Matikainen-Kallström, Mayer Hans-Peter, Mayer Xaver, Menrad, Mombaur, Montfort, Morillon, Musotto, Naranjo Escobar, Nassauer, Nicholson, Oreja Arburúa, Pacheco Pereira, Pack, Parish, Pérez Álvarez, Perry, Pirker,

Thursday 15 January 2004

Piscarreta, Posselt, Pronk, Provan, Purvis, Quisthoudt-Rowohl, Rack, Radwan, Rovsing, Rübig, Sacrédeus, Santer, Santini, Scallon, Schaffner, Schierhuber, Schleicher, Schmitt, Schröder Jürgen, Sommer, Stevenson, Stockton, Sudre, Suominen, Tajani, Tannock, Theato, Twinn, Van Orden, van Velzen, de Veyrinas, Villiers, Vlasto, Wenzel-Perillo, Zabell, Zacharakis, Zappalà, Zimmerling, Zissener

PSE: Dehousse

UEN: Camre, Queiró

Abstention: 6

EDD: Bernié, Butel, Esclopé, Mathieu, Saint-Josse

ELDR: Nordmann

Moraes report A5-0445/2003

Amendment 4

For: 209

EDD: Belder, van Dam

ELDR: Andreasen, Busk, De Clercq, Formentini, Jensen, Manders, Mulder, Nordmann, Plooi-j-van Gorsel, Riis-Jørgensen, Sbarbati, Sterckx, Sørensen, Van Hecke

NI: Berthu, Hager, Ilgenfritz, Kronberger, de La Perriere, Souchet

PPE-DE: Almeida Garrett, Andria, Arvidsson, Atkins, Avilés Perea, Balfe, Banotti, Bartolozzi, Bastos, Bayona de Perogordo, Beazley, Berend, von Boetticher, Bourlanges, Bowis, Bradbourn, Bremmer, Brienza, Brok, Bushill-Matthews, Callanan, Camisón Asensio, Cardoso, Cederschiöld, Chichester, Cocilovo, Coelho, Cornillet, Costa Raffaele, Cushnahan, Daul, Deprez, De Sarnez, Descamps, De Veyrac, Dover, Doyle, Ebner, Elles, Evans Jonathan, Fatuzzo, Fernández Martín, Ferrer, Ferri, Fiori, Flemming, Florenz, Foster, Fourtou, Gahler, García-Margallo y Marfil, García-Orcoyen Tormo, Gargani, Gemelli, Gil-Robles Gil-Delgado, Glase, Goepel, Gomolka, Goodwill, Gouveia, Graça Moura, Grönfeldt Bergman, Grosch, Grossetête, Gutiérrez-Cortines, Hannan, Harbour, Hatzidakis, Heaton-Harris, Helmer, Hermange, Hernández Mollar, Herranz García, Inglewood, Jarzembowski, Jeggle, Karas, Kastler, Keppelhoff-Wiechert, Khanbhai, Klamt, Klaß, Koch, Korhola, Kratsa-Tsagaropoulou, Langen, Langenhagen, Laschet, Lechner, Lehne, Lisi, Lulling, Maat, McCartin, Mann Thomas, Marini, Marinos, Marques, Martens, Martin Hugues, Mayer Hans-Peter, Mayer Xaver, Menrad, Mombaur, Montfort, Morillon, Musotto, Naranjo Escobar, Nassauer, Nicholson, Oomen-Ruijten, Oreja Arburúa, Pacheco Pereira, Pack, Parish, Pastorelli, Pérez Álvarez, Perry, Pirker, Piscarreta, Podestà, Poettering, Pomés Ruiz, Posselt, Pronk, Provan, Purvis, Quisthoudt-Rowohl, Rack, Radwan, Rovsing, Rübig, Sacrédeus, Santer, Santini, Scallon, Schaffner, Schierhuber, Schleicher, Schröder Jürgen, Schwaiger, Smet, Sommer, Stenmarck, Stevenson, Stockton, Sturdy, Sudre, Suominen, Tajani, Tannock, Theato, Thyssen, Trakatellis, Twinn, Van Orden, Varela Suanzes-Carpegna, van Velzen, de Veyrinas, Vidal-Quadras Roca, Villiers, Vlasto, Wenzel-Perillo, Wijkman, Zabell, Zacharakis, Zappalà, Zimmerling, Zissener

PSE: Dehousse, van Hulten, Kinnoek, O'Toole, Paasilinna, Skinner, Stihler, Watts, Zimeray

UEN: Berlato, Bigliardo, Camre, Collins, Crowley, Ó Neachtain, Poli Bortone, Queiró, Ribeiro e Castro

Against: 238

EDD: Abitbol, Andersen, Bernié, Bonde, Butel, Esclopé, Kuntz, Mathieu, Saint-Josse, Sandbæk

ELDR: Attwooll, Calò, Costa Paolo, Davies, Duff, Dybkjær, Flesch, Gasòliba i Böhm, Ludford, Lynne, Maaten, Malmström, Monsonís Domingo, Newton Dunn, Olsson, Paulsen, Pesälä, Pohjamo, Procacci, Ries, Rutelli, Thors, Väyrynen, Vallvé, Virrankoski, Wallis, Watson

GUE/NGL: Ainardi, Alyssandrakis, Bakopoulos, Blak, Bordes, Brie, Caudron, Cauquil, Di Lello Finuoli, Figueiredo, Frahm, Herzog, Jové Peres, Kaufmann, Koulourianos, Krarup, Laguiller, Manisco, Markov, Maset Campos, Meijer, Modrow, Näir, Patakis, Puerta, Scarbonchi, Schmid Herman, Schröder Ilka, Seppänen, Sjöstedt, Vachetta, Wurtz

Thursday 15 January 2004

NI: Bonino, Cappato, Claeys, Dell'Alba, Dillen, Dupuis, de Gaulle, Gollnisch, Gorostiaga Atxalandabaso, Lang, Martinez, Pannella, Stirbois, Turco

PPE-DE: Lamassoure, Schmitt

PSE: Andersson, Aparicio Sánchez, Baltas, Berenguer Fuster, Berès, van den Berg, Berger, Bösch, Bullmann, Campos, Carlotti, Casaca, Cashman, Cercas, Colom i Naval, Corbey, De Keyser, Díez González, Dührkop Dührkop, Duhamel, Duin, El Khadraoui, Ettl, Evans Robert J.E., Färm, Fava, Ferreira, Ford, Fruteau, Garot, Gebhardt, Gillig, Glante, Goebbels, Görlach, Gröner, Guy-Quint, Hänsch, Haug, Hazan, Hedkvist Petersen, Hoff, Honeyball, Howitt, Hume, Iivari, Imbeni, Izquierdo Collado, Izquierdo Rojo, Jöns, Junker, Karamanou, Karlsson, Keßler, Kindermann, Koukiadis, Krehl, Kreissl-Dörfler, Kuhne, Lage, Lalumière, Lavarra, Linkohr, Lund, McAvan, McCarthy, Malliori, Mann Erika, Marinho, Martin Hans-Peter, Martínez Martínez, Mastorakis, Medina Ortega, Mendiluce Pereiro, Menéndez del Valle, Miguélez Ramos, Miranda de Lage, Moraes, Müller, Myller, Napoletano, Paciotti, Piecyk, Pittella, Poignant, Poos, Prets, Rapkay, Read, Rocard, Roth-Behrendt, Rothe, Rothley, Roure, Ruffolo, Sacconi, Sakellariou, Sandberg-Fries, dos Santos, Savary, Scheele, Schulz, Simpson, Soares, Sornosa Martínez, Souldakis, Stockmann, Swiebel, Swoboda, Terrón i Cusí, Theorin, Titley, Torres Marques, Vairinhos, Van Lancker, Volcic, Walter, Weiler, Whitehead, Wiersma, Wynn, Zorba

UEN: Thomas-Mauro

Verts/ALE: Aaltonen, Ahern, Boumediene-Thiery, Breyer, Buitenweg, Cohn-Bendit, Dhaene, Echerer, Evans Jillian, Ferrández Lezaun, Flautre, Frassoni, Gahrton, Hudghton, Isler Béguin, Lagendijk, Lambert, Lannoye, MacCormick, McKenna, Onesta, Ortuondo Larrea, Rod, de Roo, Rühle, Sörensen, Turmes, Voggenhuber, Wuori, Wyn

Abstention: 3

NI: Garaud

PPE-DE: Maticainen-Kallström

PSE: Ceyhun

Moraes report A5-0445/2003

Paragraph 32, 1st part

For: 243

EDD: Andersen, Bonde, Sandbæk

ELDR: Attwooll, Calò, Costa Paolo, Davies, De Clercq, Duff, Dybkjær, Flesch, Formentini, Gasòliba i Böhm, Ludford, Lynne, Maaten, Malmström, Monsonís Domingo, Mulder, Newton Dunn, Olsson, Paulsen, Pesälä, Pohjamo, Procacci, Ries, Rutelli, Sbarbati, Thors, Väyrynen, Vallvé, Virrankoski, Wallis

GUE/NGL: Ainardi, Alyssandrakis, Bakopoulos, Bergaz Conesa, Blak, Bordes, Brie, Caudron, Cauquil, Di Lello Finuoli, Figueiredo, Frahm, Herzog, Jové Peres, Kaufmann, Koulourianos, Krarup, Laguiller, Manisco, Markov, Maset Campos, Meijer, Modrow, Nair, Patakis, Puerta, Schmid Herman, Schröder Ilka, Seppänen, Sjöstedt, Vachetta, Wurtz

NI: Bonino, Cappato, Dell'Alba, Dupuis, Gorostiaga Atxalandabaso, Pannella, Turco

PPE-DE: Cocilovo, Marini, Perry

PSE: Andersson, Aparicio Sánchez, Baltas, Berenguer Fuster, Berès, van den Berg, Berger, Bösch, Bowe, Bullmann, Campos, Carlotti, Casaca, Cashman, Cercas, Colom i Naval, Corbett, Corbey, Dehousse, De Keyser, Díez González, Dührkop Dührkop, Duhamel, Duin, El Khadraoui, Ettl, Färm, Fava, Ferreira, Fruteau, Garot, Gebhardt, Gillig, Glante, Goebbels, Görlach, Gröner, Guy-Quint, Hänsch, Haug, Hazan, Hedkvist Petersen, Hoff, Howitt, van Hulten, Hume, Iivari, Imbeni, Izquierdo Collado, Izquierdo Rojo, Jöns, Junker, Karamanou, Karlsson, Keßler, Kindermann, Kinnock, Koukiadis, Krehl, Kreissl-Dörfler, Kuhne, Lage, Lalumière, Lavarra, Linkohr, Lund, McAvan, McCarthy, Malliori, Mann Erika, Marinho, Martin Hans-Peter, Martínez Martínez, Mastorakis, Medina Ortega, Mendiluce Pereiro, Menéndez del Valle, Miguélez Ramos, Miller, Miranda de Lage, Moraes, Müller, Myller, Napoletano, O'Toole, Paasilinna, Paciotti, Patrie, Piecyk, Pittella, Poignant, Poos, Prets, Rapkay, Read, Rocard, Roth-Behrendt, Rothe, Rothley, Roure,

Thursday 15 January 2004

Ruffolo, Sacconi, Sakellariou, Sandberg-Fries, dos Santos, Savary, Scheele, Schulz, Simpson, Skinner, Soares, Sornosa Martínez, Souladakis, Stihler, Stockmann, Swiebel, Swoboda, Terrón i Cusí, Theorin, Titley, Torres Marques, Vairinhos, Van Lancker, Walter, Weiler, Whitehead, Wiersma, Wynn, Zimeray, Zorba

UEN: Berlato, Bigliardo, Collins, Crowley, Fitzsimons, Hyland, Ó Neachtain, Poli Bortone, Queiró, Ribeiro e Castro

Verts/ALE: Aaltonen, Boumediene-Thiery, Buitenweg, Cohn-Bendit, Dhaene, Echerer, Evans Jillian, Ferrández Lezaun, Flautre, Frassoni, Gahrton, Hudghton, Isler Béguin, Lagendijk, Lambert, Lannoye, MacCormick, McKenna, Onesta, Ortuondo Larrea, Rod, de Roo, Rühle, Sörensen, Turmes, Voggenhuber, Wuori, Wyn

Against: 204

EDD: Abitbol, Belder, Bernié, Butel, van Dam, Esclopé, Kuntz, Mathieu, Saint-Josse

ELDR: Andreasen, Busk, Jensen, Manders, Nordmann, Plooi-j-van Gorsel, Riis-Jørgensen, Sterckx, Sørensen, Watson

GUE/NGL: Scarbonchi

NI: Berthu, Claeys, Dillen, Garaud, de Gaulle, Gollnisch, Hager, Ilgenfritz, Kronberger, Lang, de La Perriere, Martinez, Souchet, Stirbois

PPE-DE: Almeida Garrett, Andria, Arvidsson, Atkins, Avilés Perea, Balfe, Banotti, Bartolozzi, Bastos, Bayona de Perogordo, Beazley, Berend, von Boetticher, Bowis, Bradbourn, Bremmer, Brienza, Brok, Bushill-Matthews, Callanan, Camisón Asensio, Cardoso, Cederschiöld, Chichester, Coelho, Cornillet, Corrie, Costa Raffaele, Cushnahan, Daul, Deprez, De Sarnez, Descamps, De Veyrac, Dover, Doyle, Ebner, Elles, Evans Jonathan, Fatuzzo, Fernández Martín, Ferrer, Ferri, Fiori, Flemming, Foster, Fourtou, Gahler, García-Margallo y Marfil, García-Orcoyen Tormo, Gargani, Gemelli, Gil-Robles Gil-Delgado, Glase, Goepel, Gomolka, Goodwill, Graça Moura, Grönfeldt Bergman, Grosch, Grossetête, Gutiérrez-Cortines, Hannan, Harbour, Hatzidakis, Heaton-Harris, Helmer, Hermange, Hernández Mollar, Herranz García, Inglewood, Jarzembowski, Jeggle, Karas, Kastler, Keppelhoff-Wiechert, Khanbhai, Klamt, Klaß, Koch, Korhola, Kratsa-Tsagaropoulou, Lamassoure, Langen, Langenhagen, Laschet, Lechner, Lehne, Lisi, Lulling, Maat, McCartin, Mann Thomas, Marinos, Marques, Martens, Martin Hugues, Matikainen-Kallström, Mayer Hans-Peter, Mayer Xaver, Menrad, Mombaur, Montfort, Morillon, Musotto, Naranjo Escobar, Nassauer, Nicholson, Oomen-Ruijten, Oreja Arburúa, Pacheco Pereira, Pack, Parish, Pastorelli, Pérez Álvarez, Pirker, Piscarreta, Podestà, Poettering, Pomés Ruiz, Posselt, Pronk, Provan, Purvis, Quisthoudt-Rowohl, Rack, Radwan, Rovsing, Rübig, Sacrédeus, Santer, Santini, Scallon, Schaffner, Schierhuber, Schleicher, Schmitt, Schröder Jürgen, Schwaiger, Smet, Sommer, Stenmarck, Stevenson, Stockton, Sturdy, Sudre, Suominen, Tajani, Tannock, Theato, Thyssen, Trakatellis, Twinn, Van Orden, Varela Suanzes-Carpegna, van Velzen, de Veyrinas, Vidal-Quadras Roca, Villiers, Vlasto, Wenzel-Perillo, Zabell, Zacharakis, Zappalà, Zimmerling, Zissener

PSE: Ford

UEN: Angelilli, Camre, Thomas-Mauro

Abstention: 2

ELDR: Van Hecke

PSE: Ceyhun

Moraes report A5-0445/2003

Paragraph 32, 2nd part

For: 233

EDD: Andersen, Bonde, Sandbæk

ELDR: Attwooll, Calò, Costa Paolo, Davies, Duff, Dybkjær, Flesch, Formentini, Ludford, Lynne, Malmström, Monsonís Domingo, Newton Dunn, Olsson, Paulsen, Pesälä, Pohjamo, Procacci, Ries, Rutelli, Sbarbati, Thors, Väyrynen, Vallvé, Virrankoski, Wallis, Watson

Thursday 15 January 2004

GUE/NGL: Ainardi, Alyssandrakis, Bakopoulos, Bergaz Conesa, Blak, Bordes, Brie, Caudron, Cauquil, Di Lello Finuoli, Frahm, Herzog, Jové Peres, Kaufmann, Koulourianos, Krarup, Laguiller, Manisco, Markov, Marset Campos, Meijer, Modrow, Nair, Patakis, Puerta, Scarbonchi, Schmid Herman, Schröder Ilka, Seppänen, Sjöstedt, Vachetta, Wurtz

NI: Bonino, Cappato, Dell'Alba, Dupuis, Gorostiaga Atxalandabaso, Pannella, Turco

PSE: Andersson, Aparicio Sánchez, Baltas, Berenguer Fuster, Berès, van den Berg, Berger, Bösch, Bullmann, Campos, Carlotti, Casaca, Cashman, Cercas, Colom i Naval, Corbett, Corbey, Dehousse, De Keyser, Díez González, Dührkop Dührkop, Duhamel, Duin, El Khadraoui, Ettl, Evans Robert J.E., Färm, Fava, Ferreira, Ford, Fruteau, Garot, Gebhardt, Gillig, Glante, Goebbels, Görlach, Gröner, Guy-Quint, Hänsch, Haug, Hazan, Hedkvist Petersen, Hoff, Honeyball, Howitt, van Hulten, Hume, Iivari, Imbeni, Izquierdo Collado, Izquierdo Rojo, Jöns, Junker, Karamanou, Karlsson, Keßler, Kindermann, Kinnock, Koukiadis, Krehl, Kreissl-Dörfler, Kuhne, Lage, Lalumière, Lavarra, Linkohr, Lund, McAvan, McCarthy, Malliori, Mann Erika, Marinho, Martin Hans-Peter, Martínez Martínez, Mastorakis, Medina Ortega, Mendiluce Pereiro, Menéndez del Valle, Miguélez Ramos, Miller, Miranda de Lage, Moraes, Müller, Myller, Napoletano, O'Toole, Paasilinna, Paciotti, Patrie, Piecyk, Pittella, Poignant, Poos, Prets, Rapkay, Read, Rocard, Rodríguez Ramos, Roth-Behrendt, Rothe, Rothley, Roure, Ruffolo, Sacconi, Sakellariou, Sandberg-Fries, dos Santos, Savary, Scheele, Schulz, Simpson, Skinner, Soares, Sornosa Martínez, Souladakis, Stihler, Stockmann, Swibel, Swoboda, Terrón i Cusí, Theorin, Titley, Vairinhos, Van Lancker, Volcic, Walter, Watts, Weiler, Whitehead, Wiersma, Wynn, Zimeray, Zorba

Verts/ALE: Aaltonen, Ahern, Boumediene-Thiery, Breyer, Buitenweg, Celli, Dhaene, Echerer, Evans Jillian, Ferrández Lezaun, Flautre, Frassoni, Gahrton, Hudghton, Iler Béguin, Lagendijk, Lambert, Lannoye, MacCormick, McKenna, Onesta, Ortuondo Larrea, Rod, de Roo, Rühle, Sörensen, Turmes, Voggenhuber, Wuori, Wyn

Against: 223

EDD: Abitbol, Belder, Bernié, Butel, van Dam, Esclopé, Kuntz, Mathieu, Saint-Josse

ELDR: Andreasen, Busk, De Clercq, Gasòliba i Böhm, Jensen, Maaten, Manders, Mulder, Nordmann, Plooi-j-van Gorsel, Riis-Jørgensen, Sterckx, Sørensen, Van Hecke

NI: Berthu, Claeys, Dillen, Garaud, de Gaulle, Gollnisch, Hager, Ilgenfritz, Kronberger, Lang, de La Perriere, Martinez, Souchet, Stirbois

PPE-DE: Almeida Garrett, Andria, Arvidsson, Atkins, Avilés Perea, Balfe, Banotti, Bartolozzi, Bastos, Bayona de Perogordo, Beazley, Berend, von Boetticher, Bourlanges, Bowis, Bradbourn, Bremmer, Brienza, Brok, Bushill-Matthews, Callanan, Camisón Asensio, Cardoso, Cederschiöld, Chichester, Cocilovo, Coelho, Cornillet, Corrie, Costa Raffaele, Cushnahan, Daul, Deprez, De Sarnez, Descamps, De Veyrac, Dover, Doyle, Ebner, Elles, Evans Jonathan, Fatuzzo, Fernández Martín, Ferrer, Ferri, Fiori, Flemming, Florenz, Foster, Fourtou, Gahler, García-Margallo y Marfil, García-Orcoyen Tormo, Gargani, Gemelli, Gil-Robles Gil-Delgado, Glase, Goepel, Gomolka, Goodwill, Gouveia, Graça Moura, Grönfeldt Bergman, Grosch, Grossetête, Gutiérrez-Cortines, Hannan, Harbour, Hatzidakis, Heaton-Harris, Helmer, Hermange, Hernández Mollar, Herranz García, Inglewood, Jarzembowski, Jeggel, Karas, Kastler, Keppelhoff-Wiechert, Khanbhai, Klamt, Klaß, Koch, Korhola, Kratsa-Tsagaropoulou, Lamassoure, Langen, Langenhagen, Laschet, Lechner, Lehne, Lisi, Lulling, Maat, McCartin, Mann Thomas, Marini, Marinos, Marques, Martens, Martin Hugues, Matikainen-Kallström, Mayer Hans-Peter, Mayer Xaver, Menrad, Mombaur, Montfort, Morillon, Musotto, Naranjo Escobar, Nassauer, Nicholson, Oomen-Ruijten, Oreja Arburúa, Pacheco Pereira, Pack, Parish, Pastorelli, Pérez Álvarez, Perry, Pirker, Piscarreta, Podestà, Poettering, Pomés Ruiz, Posselt, Pronk, Provan, Purvis, Quisthoudt-Rowohl, Rack, Radwan, Rovsing, Rübig, Sacrédeus, Santer, Santini, Scallon, Schaffner, Schierhuber, Schleicher, Schmitt, Schröder Jürgen, Schwaiger, Smet, Sommer, Stenmarck, Stevenson, Stockton, Sturdy, Sudre, Suominen, Tajani, Tannock, Theato, Thyssen, Trakatellis, Twinn, Van Orden, Varela Suanzes-Carpegna, van Velzen, de Veyrinas, Vidal-Quadras Roca, Villiers, Vlasto, Wenzel-Perillo, Wijkman, Zabell, Zacharakis, Zappalà, Zimmerling, Zissener

UEN: Angelilli, Berlato, Bigliardo, Camre, Collins, Crowley, Fitzsimons, Hyland, Ó Neachtain, Poli Bortone, Queiró, Ribeiro e Castro, Thomas-Mauro

Thursday 15 January 2004

Moraes report A5-0445/2003**Resolution****For: 255****EDD:** Andersen, Bernié, Bonde, Butel, Esclopé, Saint-Josse, Sandbæk**ELDR:** Attwooll, Calò, Costa Paolo, Davies, Duff, Dybkjær, Formentini, Gasòliba i Böhm, Ludford, Lynne, Maaten, Malmström, Manders, Monsonís Domingo, Mulder, Newton Dunn, Olsson, Paulsen, Pesälä, Procacci, Rutelli, Sbarbati, Thors, Vallvé, Virrankoski, Wallis, Watson**GUE/NGL:** Ainardi, Bakopoulos, Bergaz Conesa, Blak, Brie, Caudron, Di Lello Finuoli, Figueiredo, Frahm, Herzog, Jové Peres, Kaufmann, Koulourianos, Krarup, Manisco, Markov, Marset Campos, Meijer, Modrow, Nair, Puerta, Scarbonchi, Schmid Herman, Schröder Ilka, Seppänen, Sjöstedt, Vachetta, Wurtz**NI:** Bonino, Cappato, Dell'Alba, Dupuis, Gorostiaga Atxalandabaso, Pannella, Turco**PPE-DE:** Cocilovo, Costa Raffaele, Cushnahan, Gouveia, Marini**PSE:** Andersson, Aparicio Sánchez, Baltas, Berenguer Fuster, Berès, van den Berg, Berger, Bösch, Bowe, Bullmann, Campos, Carlotti, Casaca, Cashman, Cercas, Ceyhun, Colom i Naval, Corbett, Corbey, Dehousse, De Keyser, Díez González, Dührkop Dührkop, Duhamel, Duin, El Khadraoui, Ettl, Evans Robert J.E., Färm, Fava, Ferreira, Ford, Fruteau, Garot, Gebhardt, Gillig, Glante, Goebbels, Görlach, Gröner, Guy-Quint, Hänsch, Haug, Hazan, Hedkvist Petersen, Hoff, Honeyball, Howitt, van Hulten, Hume, Iivari, Imbeni, Izquierdo Collado, Izquierdo Rojo, Jöns, Junker, Karamanou, Karlsson, Keßler, Kindermann, Kinnock, Koukiadis, Krehl, Kreissl-Dörfler, Kuhne, Lage, Lalumière, Lavarra, Linkohr, Lund, McAvan, McCarthy, Malliori, Mann Erika, Marinho, Martin Hans-Peter, Martínez Martínez, Mastorakis, Medina Ortega, Mendiluce Pereiro, Menéndez del Valle, Miguélez Ramos, Miller, Miranda de Lage, Moraes, Müller, Myller, Napolitano, O'Toole, Paasilinna, Paciotti, Patrie, Piecyk, Pittella, Poignant, Poos, Prets, Rapkay, Read, Rocard, Rodríguez Ramos, Roth-Behrendt, Rothe, Rothley, Roure, Ruffolo, Sacconi, Sakellariou, Sandberg-Fries, dos Santos, Savary, Scheele, Schmid Gerhard, Schulz, Simpson, Skinner, Soares, Sornosa Martínez, Souladakis, Stihler, Stockmann, Swiebel, Swoboda, Terrón i Cusí, Theorin, Titley, Torres Marques, Vairinhos, Van Lancker, Volcic, Walter, Watts, Weiler, Whitehead, Wiersma, Wynn, Zimeray, Zorba**UEN:** Berlato, Bigliardo, Collins, Crowley, Fitzsimons, Hyland, Muscardini, Nobilia, Ó Neachtain, Poli Bortone, Ribeiro e Castro**Verts/ALE:** Aaltonen, Ahern, Boumediene-Thiery, Breyer, Buitenweg, Celli, Cohn-Bendit, Dhaene, Echerer, Evans Jillian, Ferrández Lezaun, Flautre, Frassoni, Gahrton, Hudghton, Isler Béguin, Lagendijk, Lambert, Lannoye, MacCormick, McKenna, Maes, Onesta, Ortuondo Larrea, Rod, de Roo, Rühle, Sörensen, Turmes, Voggenhuber, Wuori, Wyn**Against: 192****EDD:** Abitbol, Belder, van Dam, Kuntz, Mathieu**ELDR:** Nordmann, Plooi-j-van Gorsel, Van Hecke**NI:** Berthu, Borghezio, Claeys, Dillen, Garaud, de Gaulle, Gollnisch, Hager, Ilgenfritz, Lang, de La Perriere, Martinez, Souchet, Stirbois**PPE-DE:** Almeida Garrett, Andria, Arvidsson, Atkins, Avilés Perea, Balfe, Bartolozzi, Bastos, Bayona de Perogordo, Beazley, Berend, von Boetticher, Bourlanges, Bowis, Bradbourn, Bremmer, Brienza, Brok, Bushill-Matthews, Callanan, Camisón Asensio, Cardoso, Cederschiöld, Chichester, Coelho, Cornillet, Corrie, Daul, Deprez, Descamps, De Veyrac, Dover, Doyle, Ebner, Elles, Evans Jonathan, Fatuzzo, Fernández Martín, Ferrer, Ferri, Fiori, Flemming, Florenz, Foster, Fourtou, Gahler, García-Margallo y Marfil, García-Orcoyen Tormo, Gargani, Gemelli, Gil-Robles Gil-Delgado, Glase, Goepel, Gomolka, Goodwill, Graça Moura, Grönfeldt Bergman, Grosch, Grossetête, Gutiérrez-Cortines, Hannan, Harbour, Hatzidakis, Heaton-Harris, Helmer, Hermange, Hernández Mollar, Herranz García, Inglewood, Jarzembowski, Jeggle, Karas, Kastler, Keppelhoff-Wiechert, Khanbhai, Klamt, Klaß, Koch, Korhola, Kratsa-Tsagaropoulou, Lamassoure, Langen, Langenhagen, Laschet, Lechner, Lehne, Lisi, Lulling, Maat, McCartin, Mann Thomas, Marinos, Marques, Martens, Martin Hugues, Matikainen-Kallström, Mayer Hans-Peter, Mayer Xaver, Menrad, Mombaur, Montfort, Morillon, Musotto, Naranjo Escobar, Nassauer, Nicholson, Nisticò,

Thursday 15 January 2004

Oomen-Ruijten, Oreja Arburúa, Pacheco Pereira, Pack, Parish, Pastorelli, Pérez Álvarez, Perry, Pirker, Piscarreta, Podestà, Poettering, Pomés Ruiz, Posselt, Pronk, Provan, Purvis, Quisthoudt-Rowohl, Rack, Radwan, Roving, Rübig, Sacrédeus, Santer, Sartori, Scallon, Schaffner, Schierhuber, Schleicher, Schmitt, Schröder Jürgen, Schwaiger, Smet, Sommer, Stenmarck, Stevenson, Stockton, Sturdy, Sudre, Suominen, Tajani, Tannock, Theato, Thyssen, Trakatellis, Twinn, Van Orden, Varela Suanzes-Carpegna, van Velzen, de Veyrinas, Vidal-Quadras Roca, Villiers, Vlasto, Wenzel-Perillo, Zabell, Zacharakis, Zappalà, Zimmerling, Zissener

UEN: Angelilli, Camre, Queiró, Thomas-Mauro

Abstention: 20

ELDR: Andreasen, Busk, De Clercq, Flesch, Jensen, Pohjamo, Ries, Riis-Jørgensen, Sterckx, Sørensen, Väyrynen

GUE/NGL: Alyssandrakis, Bordes, Cauquil, Laguiller, Patakis

NI: Kronberger

PPE-DE: Banotti, De Sarnez, Wijkman

Pirker report A5-0419/2003

Paragraph 4

For: 277

ELDR: Costa Paolo, De Clercq, Gasòliba i Böhm, Maaten, Manders, Mulder, Newton Dunn, Plooi-j-van Gorsel, Procacci, Ries, Riis-Jørgensen, Rutelli, Sterckx, Väyrynen, Van Hecke, Watson

NI: Hager, Ilgenfritz, Kronberger, de La Perriere

PPE-DE: Almeida Garrett, Andria, Arvidsson, Avilés Perea, Banotti, Bartolozzi, Bastos, Bayona de Perogordo, Berend, von Boetticher, Bourlanges, Bremmer, Brienza, Brok, Camisón Asensio, Cardoso, Coelho, Cornillet, Costa Raffaele, Cushnahan, Daul, Deprez, De Sarnez, Descamps, De Veyrac, Doyle, Ebner, Fatuzzo, Fernández Martín, Ferrer, Ferri, Fiori, Fourtou, Gahler, García-Margallo y Marfil, Gargani, Gemelli, Gil-Robles Gil-Delgado, Glase, Goepel, Gomolka, Gouveia, Graça Moura, Grosch, Grossetête, Gutiérrez-Cortines, Hatzidakis, Hermange, Hernández Mollar, Herranz García, Jarzembowski, Jeggel, Karas, Kastler, Keppelhoff-Wiechert, Klamt, Klauf, Koch, Kratsa-Tsagaropoulou, Lamassoure, Langen, Langenhagen, Laschet, Lechner, Lehne, Lisi, Lulling, Maat, McCartin, Mann Thomas, Marinos, Marques, Martens, Martin Hugues, Matikainen-Kallström, Mayer Hans-Peter, Mayer Xaver, Menrad, Morillon, Musotto, Naranjo Escobar, Nassauer, Oomen-Ruijten, Pacheco Pereira, Pack, Pastorelli, Pérez Álvarez, Pirker, Piscarreta, Podestà, Poettering, Posselt, Pronk, Quisthoudt-Rowohl, Rack, Radwan, Roving, Rübig, Santer, Sartori, Schaffner, Schierhuber, Schleicher, Schmitt, Schröder Jürgen, Schwaiger, Smet, Sommer, Sudre, Tajani, Theato, Thyssen, Trakatellis, Varela Suanzes-Carpegna, van Velzen, de Veyrinas, Vidal-Quadras Roca, Wenzel-Perillo, Wijkman, Zabell, Zacharakis, Zappalà, Zimmerling, Zissener

PSE: Aparicio Sánchez, Baltas, Berenguer Fuster, Berès, van den Berg, Berger, Bösch, Bullmann, Campos, Carlotti, Casaca, Cashman, Cercas, Ceyhun, Colom i Naval, Corbett, Corbey, De Keyser, Díez González, Dührkop Dührkop, Duhamel, Duin, El Khadraoui, Ettl, Evans Robert J.E., Fava, Ferreira, Ford, Fruteau, Garot, Gebhardt, Gillig, Glante, Goebbels, Görlach, Guy-Quint, Hänsch, Haug, Hoff, Honeyball, Howitt, van Hulten, Hume, Iivari, Imbeni, Izquierdo Collado, Izquierdo Rojo, Jöns, Junker, Karamanou, Kefler, Kindermann, Kinnock, Koukiadis, Krehl, Kreissl-Dörfler, Kuhne, Lage, Lalumière, Lavarra, Linkohr, Lund, McAvan, McCarthy, Malliori, Mann Erika, Marinho, Martin Hans-Peter, Martínez Martínez, Mastorakis, Medina Ortega, Mendiluce Pereiro, Menéndez del Valle, Miguélez Ramos, Miller, Miranda de Lage, Moraes, Müller, Myller, Napoletano, O'Toole, Paasilinna, Paciotti, Patrie, Piecyk, Pittella, Poignant, Poos, Prets, Rapkay, Read, Rocard, Rodríguez Ramos, Roth-Behrendt, Rothe, Rothley, Roure, Ruffolo, Sacconi, Sakellariou, dos Santos, Savary, Scheele, Schmid Gerhard, Simpson, Skinner, Soares, Sornosa Martínez, Souladakis, Stihler, Stockmann, Swiebel, Swoboda, Terrón i Cusí, Titley, Torres Marques, Vairinhos, Van Lancker, Volcic, Walter, Watts, Weiler, Whitehead, Wiersma, Wynn, Zimeray, Zorba

UEN: Angelilli, Bigliardo, Crowley, Muscardini, Queiró, Ribeiro e Castro

Thursday 15 January 2004

Against: 129

EDD: Abitbol, Andersen, Belder, Bernié, Bonde, Butel, van Dam, Esclopé, Kuntz, Mathieu, Saint-Josse, Sandbæk

ELDR: Andreasen, Attwooll, Busk, Calò, Davies, Duff, Dybkjær, Flesch, Formentini, Jensen, Ludford, Lynne, Malmström, Monsonís Domingo, Olsson, Paulsen, Pesälä, Pohjamo, Sbarbati, Sørensen, Thors, Virrankoski, Wallis

GUE/NGL: Ainardi, Alyssandrakis, Bakopoulos, Bergaz Conesa, Blak, Bordes, Brie, Caudron, Cauquil, Di Lello Finuoli, Figueiredo, Frahm, Herzog, Jové Peres, Kaufmann, Koulourianos, Krarup, Laguiller, Manisco, Markov, Marset Campos, Meijer, Modrow, Nair, Patakis, Puerta, Scarbonchi, Schmid Herman, Schröder Ilka, Seppänen, Sjöstedt, Vachetta, Wurtz

NI: Berthu, Claeys, Dillen, Garaud, de Gaulle, Gollnisch, Lang, Martinez, Souchet, Stirbois

PPE-DE: Cederschiöld, Grönfeldt Bergman, Korhola, Provan, Sacrédeus, Stenmarck, Suominen, Vlasto

PSE: Andersson, Dehousse, Färm, Hedkvist Petersen, Karlsson, Sandberg-Fries, Theorin

UEN: Camre, Fitzsimons, Ó Neachtain, Poli Bortone, Thomas-Mauro

Verts/ALE: Aaltonen, Ahern, Boumediene-Thiery, Buitenweg, Celli, Cohn-Bendit, Dhaene, Echerer, Evans Jillian, Ferrández Lezaun, Flautre, Frassoni, Gahrton, Hudghton, Isler Béguin, Lagendijk, Lambert, Lannoye, McCormick, McKenna, Maes, Onesta, Ortuondo Larrea, Rod, de Roo, Rühle, Sörensen, Turmes, Voggenhuber, Wuori, Wyn

Abstention: 47

ELDR: Nordmann, Vallvé

NI: Bonino, Borghezio, Cappato, Dell'Alba, Dupuis, Gorostiaga Atxalandabaso, Pannella, Turco

PPE-DE: Atkins, Balfe, Beazley, Bowis, Bradbourn, Bushill-Matthews, Callanan, Chichester, Corrie, Dover, Elles, Evans Jonathan, Foster, García-Orcoyen Tormo, Goodwill, Hannan, Harbour, Heaton-Harris, Inglewood, Khanbhai, Montfort, Nicholson, Parish, Perry, Pomés Ruiz, Purvis, Scallon, Stevenson, Stockton, Sturdy, Tannock, Twinn, Van Orden, Villiers

PSE: Schulz

UEN: Collins, Hyland

Pirker report A5-0419/2003

Amendment 3

For: 260

EDD: Andersen, Belder, Bonde, van Dam, Sandbæk

ELDR: Andreasen, Attwooll, Busk, Calò, Davies, De Clercq, Duff, Dybkjær, Flesch, Formentini, Gasòliba i Böhm, Jensen, Ludford, Lynne, Maaten, Malmström, Monsonís Domingo, Mulder, Newton Dunn, Olsson, Paulsen, Pesälä, Pohjamo, Procacci, Ries, Riis-Jørgensen, Rutelli, Sbarbati, Sterckx, Sørensen, Thors, Vallvé, Van Hecke, Virrankoski, Wallis, Watson

GUE/NGL: Ainardi, Alyssandrakis, Bakopoulos, Bergaz Conesa, Blak, Bordes, Brie, Caudron, Cauquil, Di Lello Finuoli, Figueiredo, Frahm, Herzog, Jové Peres, Kaufmann, Koulourianos, Krarup, Laguiller, Manisco, Markov, Marset Campos, Meijer, Modrow, Nair, Patakis, Puerta, Scarbonchi, Schmid Herman, Schröder Ilka, Seppänen, Sjöstedt, Vachetta, Wurtz

NI: Bonino, Cappato, Dell'Alba, Dupuis, Garaud, Gorostiaga Atxalandabaso, Hager, Pannella, Turco

PPE-DE: Cushnahan, Korhola, Sacrédeus, Wijkman

PSE: Andersson, Aparicio Sánchez, Baltas, Berenguer Fuster, Berès, van den Berg, Berger, Bösch, Bowe, Bullmann, Campos, Carlotti, Casaca, Cashman, Cercas, Colom i Naval, Corbett, Corbey, De Keyser, Díez

Thursday 15 January 2004

González, Dührkop Dührkop, Duhamel, Duin, El Khadraoui, Ettl, Evans Robert J.E., Färm, Fava, Ferreira, Ford, Fruteau, Garot, Gebhardt, Gillig, Glante, Goebbels, Görlach, Gröner, Guy-Quint, Hänsch, Haug, Hazan, Hedkvist Petersen, Hoff, Honeyball, Howitt, van Hulten, Hume, Iivari, Imbeni, Izquierdo Collado, Izquierdo Rojo, Jöns, Junker, Karamanou, Karlsson, Keßler, Kindermann, Kinnock, Koukiadis, Krehl, Kreissl-Dörfler, Kuhne, Lage, Lalumière, Lavarra, Linkohr, Lund, McAvan, McCarthy, Malliori, Mann Erika, Marinho, Martin Hans-Peter, Martínez Martínez, Mastorakis, Medina Ortega, Mendiluce Pereiro, Menéndez del Valle, Miguélez Ramos, Miller, Miranda de Lage, Moraes, Müller, Myller, Napoletano, O'Toole, Paasilinna, Paciotti, Patrie, Piecyk, Pittella, Poignant, Poos, Prets, Rapkay, Read, Rocard, Rodriguez Ramos, Roth-Behrendt, Rothe, Rothley, Roure, Ruffolo, Sacconi, Sakellariou, Sandberg-Fries, dos Santos, Savary, Scheele, Schmid Gerhard, Schulz, Simpson, Skinner, Soares, Sornosa Martínez, Souladakis, Stihler, Stockmann, Swibel, Swoboda, Terrón i Cusí, Theorin, Titley, Torres Marques, Vairinhos, Van Lancker, Volcic, Walter, Watts, Weiler, Whitehead, Wiersma, Wynn, Zimeray, Zorba

UEN: Collins, Crowley, Fitzsimons, Hyland, Muscardini, Ó Neachtain

Verts/ALE: Aaltonen, Ahern, Boumediene-Thiery, Breyer, Buitenweg, Celli, Dhaene, Echerer, Evans Jillian, Ferrández Lezaun, Flautre, Frassoni, Gahrton, Hudghton, Isler Béguin, Lagendijk, Lambert, Lannoye, MacCormick, McKenna, Maes, Onesta, Ortuondo Larrea, Rod, de Roo, Rühle, Sörensen, Turmes, Voggenhuber, Wuori, Wyn

Against: 202

EDD: Abitbol, Bernié, Butel, Esclopé, Kuntz, Mathieu, Saint-Josse

ELDR: Manders, Nordmann, Plooij-van Gorsel, Väyrynen

NI: Berthu, Borghezio, Claeys, Dillen, de Gaille, Gollnisch, Ilgenfritz, Kronberger, Lang, de La Perriere, Martinez, Souchet, Stirbois

PPE-DE: Almeida Garrett, Andria, Arvidsson, Atkins, Avilés Perea, Balfe, Banotti, Bartolozzi, Bastos, Bayona de Perogordo, Beazley, Berend, von Boetticher, Bourlanges, Bowis, Bradbourn, Bremmer, Brienza, Brok, Bushill-Matthews, Callanan, Camisón Asensio, Cardoso, Cederschiöld, Chichester, Cocilovo, Coelho, Cornillet, Corrie, Costa Raffaele, Daul, Deprez, De Sarnez, Descamps, De Veyrac, Dover, Doyle, Ebner, Elles, Evans Jonathan, Fatuzzo, Fernández Martín, Ferrer, Ferri, Fiori, Flemming, Foster, Fourtou, Gahler, García-Margallo y Marfil, García-Orcoyen Tormo, Gargani, Gemelli, Gil-Robles Gil-Delgado, Glase, Gomolka, Goodwill, Gouveia, Graça Moura, Grönfeldt Bergman, Grosch, Grossetête, Gutiérrez-Cortines, Hannan, Harbour, Hatzidakis, Heaton-Harris, Helmer, Hermange, Hernández Mollar, Herranz García, Inglewood, Jarzembowski, Jeggle, Karas, Kastler, Keppelhoff-Wiechert, Khanbhai, Klamt, Klauf, Koch, Kratsa-Tsagaropoulou, Lamassoure, Langen, Langenhagen, Laschet, Lechner, Lehne, Lisi, Lulling, Maat, McCartin, Mann Thomas, Marini, Marinos, Marques, Martens, Martin Hugues, Matikainen-Kallström, Mayer Hans-Peter, Mayer Xaver, Menrad, Mombaur, Montfort, Morillon, Musotto, Naranjo Escobar, Nassauer, Nicholson, Nisticò, Oomen-Ruijten, Oreja Arburúa, Pacheco Pereira, Pack, Parish, Pastorelli, Pérez Álvarez, Perry, Pirker, Piscarreta, Podestà, Poettering, Pomés Ruiz, Posselt, Pronk, Provan, Purvis, Quisthoudt-Rowohl, Rack, Radwan, Røvsing, Rübig, Santer, Santini, Sartori, Scallon, Schaffner, Schierhuber, Schleicher, Schmitt, Schröder Jürgen, Schwaiger, Smet, Sommer, Stenmarck, Stevenson, Stockton, Sturdy, Sudre, Suominen, Tajani, Tannock, Theato, Thyssen, Trakatellis, Twinn, Van Orden, Varela Suanzes-Carpegna, van Velzen, de Veyrinas, Vidal-Quadras Roca, Villiers, Vlasto, Wenzel-Perillo, Zabell, Zacharakis, Zappalà, Zimmerling, Zissener

UEN: Angelilli, Berlato, Bigliardo, Camre, Nobilia, Poli Bortone, Queiró, Ribeiro e Castro, Thomas-Mauro

Abstention: 2

PSE: Ceyhun, Dehousse

Pirker report A5-0419/2003

Amendment 4

For: 119

EDD: Andersen, Bonde, Sandbæk

ELDR: Costa Paolo, Dybkjær, Fleisch, Formentini, Jensen, Maaten, Malmström, Olsson, Pesälä, Pohjamo, Procacci, Riis-Jørgensen, Rutelli, Sbarbati, Sterckx, Vallvé, Van Hecke, Virrankoski, Watson

Thursday 15 January 2004

GUE/NGL: Ainardi, Alyssandrakis, Bakopoulos, Bergaz Conesa, Blak, Bordes, Brie, Caudron, Cauquil, Di Lello Finuoli, Figueiredo, Frahm, Herzog, Jové Peres, Kaufmann, Koulourianos, Krarup, Laguiller, Manisco, Markov, Marset Campos, Meijer, Modrow, Nair, Patakis, Puerta, Scarbonchi, Schmid Herman, Schröder Ilka, Seppänen, Sjöstedt, Vachetta, Wurtz

NI: Gorostiaga Atxalandabaso

PPE-DE: Andria, Berend, Cardoso, Cushnahan, Musotto, Suominen, Zabell

PSE: Aparicio Sánchez, Baltas, Berger, Bösch, Bowe, Cercas, Corbey, De Keyser, Duhamel, El Khadraoui, Glante, Imbeni, Kessler, Koukiadis, Lund, Marinho, Mendiluce Pereiro, Myller, Prets, Scheele

UEN: Collins, Fitzsimons, Hyland, Ó Neachtain

Verts/ALE: Aaltonen, Ahern, Boumediene-Thiery, Breyer, Buitenweg, Celli, Cohn-Bendit, Dhaene, Echerer, Evans Jillian, Ferrández Lezaun, Flautre, Frassoni, Gahrton, Hudghton, Isler Béguin, Lagendijk, Lambert, Lannoye, MacCormick, McKenna, Maes, Onesta, Ortuondo Larrea, Rod, de Roo, Rühle, Sørensen, Turmes, Voggenhuber, Wuori, Wyn

Against: 333

EDD: Abitbol, Belder, Bernié, Butel, van Dam, Esclopé, Kuntz, Saint-Josse

ELDR: Andreasen, Busk, Calò, Davies, De Clercq, Duff, Gasòliba i Böhm, Ludford, Lynne, Monsonís Domingo, Mulder, Newton Dunn, Nordmann, Paulsen, Plooij-van Gorsel, Ries, Sørensen, Väyrynen, Wallis

NI: Berthu, Bonino, Cappato, Claeys, Dell'Alba, Dillen, Dupuis, de Gaulle, Gollnisch, Ilgenfritz, Lang, de La Perriere, Martinez, Pannella, Souchet, Stirbois, Turco

PPE-DE: Almeida Garrett, Arvidsson, Atkins, Avilés Perea, Banotti, Bartolozzi, Bastos, Bayona de Perogordo, Beazley, von Boetticher, Bourlanges, Bowis, Bradbourn, Bremmer, Brienza, Brok, Bushill-Matthews, Callanan, Camisón Asensio, Cederschiöld, Chichester, Cocilovo, Coelho, Cornillet, Corrie, Costa Raffaele, Daul, Deprez, De Sarnez, Descamps, De Veyrac, Doyle, Ebner, Elles, Evans Jonathan, Fatuzzo, Fernández Martín, Ferrer, Ferri, Fiori, Flemming, Florenz, Foster, Fourtou, Gahler, García-Margallo y Marfil, García-Orcoyen Tormo, Gargani, Gemelli, Gil-Robles Gil-Delgado, Glase, Goepel, Gomolka, Goodwill, Gouveia, Graça Moura, Grönfeldt Bergman, Grosch, Grossetête, Gutiérrez-Cortines, Hannan, Harbour, Hatzidakis, Heaton-Harris, Helmer, Hermange, Hernández Mollar, Herranz García, Inglewood, Jarzembowski, Jeggle, Karas, Kastler, Keppelhoff-Wiechert, Khanbhai, Klamt, Klaß, Koch, Korhola, Kratsa-Tsagaropoulou, Lamassoure, Langen, Langenhagen, Laschet, Lechner, Lehne, Lisi, Lulling, Maat, McCartin, Mann Thomas, Marini, Marinos, Marques, Martens, Martin Hugues, Matikainen-Kallström, Mayer Hans-Peter, Mayer Xaver, Menrad, Mombaur, Montfort, Morillon, Naranjo Escobar, Nassauer, Nisticò, Oomen-Ruijten, Oreja Arburúa, Pacheco Pereira, Pack, Parish, Pastorelli, Pérez Álvarez, Perry, Pirker, Piscarreta, Podestà, Poettering, Pomés Ruiz, Posselt, Pronk, Provan, Purvis, Quisthoudt-Rowohl, Rack, Radwan, Røvsing, Rübzig, Sacrédeus, Santer, Santini, Sartori, Scallan, Schaffner, Schierhuber, Schleicher, Schmitt, Schröder Jürgen, Schwaiger, Smet, Sommer, Stenmarck, Stevenson, Stockton, Sturdy, Sudre, Tajani, Tannock, Theato, Thyssen, Trakatellis, Twinn, Van Orden, Varela Suanzes-Carpegna, van Velzen, de Veyrinas, Vidal-Quadras Roca, Villiers, Vlasto, Wenzel-Perillo, Wijkman, Zacharakis, Zappalà, Zimmerling, Zissener

PSE: Andersson, Berenguer Fuster, van den Berg, Bullmann, Campos, Carlotti, Casaca, Cashman, Ceyhun, Colom i Naval, Corbett, Dehousse, Dührkop Dührkop, Duin, Ettl, Evans Robert J.E., Färm, Fava, Ford, Fruteau, Garot, Gebhardt, Gillig, Goebbels, Görlach, Gröner, Guy-Quint, Hänsch, Haug, Hazan, Hedkvist Petersen, Hoff, Honeyball, Howitt, van Hulten, Iivari, Izquierdo Collado, Izquierdo Rojo, Jöns, Junker, Karamanou, Kindermann, Kinnock, Krehl, Kreissl-Dörfler, Kuhne, Lage, Lalumière, Lavarra, Linkohr, McAvan, McCarthy, Malliori, Mann Erika, Martin Hans-Peter, Martínez Martínez, Mastorakis, Medina Ortega, Menéndez del Valle, Miguélez Ramos, Miller, Miranda de Lage, Moraes, Müller, Napolitano, O'Toole, Paasilinna, Paciotti, Patrie, Piecyk, Pittella, Poignant, Poos, Rapkay, Read, Rocard, Rodríguez Ramos, Roth-Behrendt, Rothe, Rothley, Roure, Ruffolo, Sacconi, Sakellariou, Sandberg-Fries, dos Santos, Savary, Schmid Gerhard, Schulz, Simpson, Skinner, Soares, Sornosa Martínez, Souladakakis, Stihler, Stockmann, Swibel, Swoboda, Terrón i Cusí, Theorin, Titley, Torres Marques, Vairinhos, Van Lancker, Volcic, Walter, Watts, Weiler, Whitehead, Wiersma, Wynn, Zimeray, Zorba

UEN: Angelilli, Berlato, Bigliardo, Camre, Crowley, Muscardini, Nobilia, Poli Bortone, Queiró, Ribeiro e Castro, Thomas-Mauro

Thursday 15 January 2004

Abstention: 7**ELDR:** Attwooll**NI:** Borghezio, Garaud**PPE-DE:** Balfe, Dover, Nicholson**PSE:** Ferreira**Pirker report A5-0419/2003****Paragraph 17****For: 299****EDD:** Abitbol, Andersen, Bonde, Kuntz, Sandbæk**ELDR:** Nordmann, Väyrynen**GUE/NGL:** Figueiredo, Manisco, Patakis**NI:** Berthu, Garaud, Ilgenfritz, Kronberger, Souchet

PPE-DE: Almeida Garrett, Banotti, Bartolozzi, Bayona de Perogordo, von Boetticher, Bourlanges, Bremmer, Brienza, Brok, Camisón Asensio, Cocilovo, Coelho, Cornillet, Costa Raffaele, Cushnahan, Daul, Deprez, De Sarnez, Descamps, De Veyrac, Doyle, Ebner, Evans Jonathan, Fatuzzo, Fernández Martín, Ferrer, Ferri, Fiori, Flemming, Florenz, Fourtou, Gahler, García-Margallo y Marfil, García-Orcoyen Tormo, Gargani, Gemelli, Gil-Robles Gil-Delgado, Glase, Goepel, Gomolka, Gouveia, Grosch, Grossetête, Gutiérrez-Cortines, Harbour, Hatzidakis, Hermange, Hernández Mollar, Herranz García, Jarzembowski, Jeggle, Karas, Kastler, Keppelhoff-Wiechert, Klamt, Klauf, Koch, Korhola, Kratsa-Tsagaropoulou, Lamassoure, Langen, Langenhagen, Laschet, Lechner, Lehne, Lisi, Lulling, Maat, McCartin, Mann Thomas, Marini, Marques, Martens, Martin Hugues, Mayer Hans-Peter, Mayer Xaver, Menrad, Mombaur, Morillon, Musotto, Naranjo Escobar, Nassauer, Nisticò, Oomen-Ruijten, Oreja Arburúa, Pacheco Pereira, Pack, Pastorelli, Pérez Álvarez, Pirker, Podestà, Poettering, Pomés Ruiz, Posselt, Pronk, Quisthoudt-Rowohl, Rack, Roving, Rübig, Sacrédeus, Santer, Santini, Sartori, Schaffner, Schierhuber, Schleicher, Schmitt, Schröder Jürgen, Schwaiger, Smet, Sommer, Stenmarck, Stockton, Sudre, Suominen, Tajani, Theato, Thyssen, Trakatellis, Varela Suanzes-Carpegna, van Velzen, de Veyrinas, Vidal-Quadras Roca, Vlasto, Wenzel-Perillo, Wijkman, Zabell, Zacharakis, Zappalà, Zimmerling, Zissener

PSE: Andersson, Aparicio Sánchez, Baltas, Berenguer Fuster, van den Berg, Berger, Bösch, Bowe, Bullmann, Campos, Casaca, Cashman, Cercas, Colom i Naval, Corbett, Corbey, Dehousse, De Keyser, Dührkop Dührkop, Duin, Ettl, Evans Robert J.E., Färm, Fava, Ford, Gebhardt, Glante, Goebbels, Görlach, Gröner, Hänsch, Haug, Hedkvist Petersen, Hoff, Honeyball, Howitt, van Hulst, Iivari, Imbeni, Izquierdo Collado, Izquierdo Rojo, Jöns, Junker, Karamanou, Karlsson, Keßler, Kindermann, Kinnock, Koukiadis, Krehl, Kreissl-Dörfler, Kuhne, Lage, Linkohr, Lund, McAvan, McCarthy, Malliori, Mann Erika, Marinho, Martin Hans-Peter, Martínez Martínez, Mastorakis, Medina Ortega, Mendiluce Pereiro, Menéndez del Valle, Miguélez Ramos, Miller, Miranda de Lage, Müller, Myller, Napoletano, O'Toole, Paasilinna, Paciotti, Piecyk, Pittella, Poes, Prets, Rapkay, Read, Rodríguez Ramos, Roth-Behrendt, Rothe, Rothley, Roure, Ruffolo, Sacconi, Sakellariou, Sandberg-Fries, dos Santos, Scheele, Schmid Gerhard, Schulz, Simpson, Skinner, Soares, Sornosa Martínez, Souladakis, Stihler, Swiebel, Swoboda, Terrón i Cusí, Theorin, Titley, Torres Marques, Vairinhos, Volcic, Walter, Watts, Weiler, Whitehead, Wiersma, Wynn, Zorba

UEN: Angelilli, Collins, Crowley, Muscardini, Nobilia, Queiró, Ribeiro e Castro, Thomas-Mauro

Verts/ALE: Aaltonen, Ahern, Boumediene-Thiery, Breyer, Buitenweg, Celli, Echerer, Evans Jillian, Ferrández Lezaun, Flautre, Frassoni, Gahrton, Hudghton, Isler Béguin, Lagendijk, Lambert, Lannoye, MacCormick, McKenna, Maes, Onesta, Ortuondo Larrea, Rod, de Roo, Rühle, Sörensen, Turmes, Voggenhuber, Wuori, Wyn

Against: 136**EDD:** Belder, Bernié, Butel, van Dam, Esclopé, Saint-Josse

Thursday 15 January 2004

ELDR: Andreassen, Attwooll, Busk, Calò, Davies, De Clercq, Duff, Dybkjær, Flesch, Formentini, Gasòliba i Böhm, Jensen, Maaten, Malmström, Manders, Monsonís Domingo, Mulder, Newton Dunn, Olsson, Paulsen, Pesälä, Plooij-van Gorsel, Pohjamo, Procacci, Ries, Riis-Jørgensen, Rutelli, Sbarbati, Sterckx, Sørensen, Thors, Vallvé, Van Hecke, Virrankoski, Wallis, Watson

GUE/NGL: Ainardi, Alyssandrakis, Bakopoulos, Bergaz Conesa, Blak, Bordes, Brie, Caudron, Cauquil, Di Lello Finuoli, Frahm, Herzog, Jové Peres, Kaufmann, Koulourianos, Krarup, Laguiller, Markov, Marset Campos, Meijer, Modrow, Naïr, Puerta, Scarbonchi, Schmid Herman, Schröder Ilka, Seppänen, Sjöstedt, Vachetta, Wurtz

NI: Bonino, Cappato, Claeys, Dell'Alba, Dillen, Dupuis, de Gaulle, Gollnisch, Gorostiaga Atxalandabaso, Hager, Lang, de La Perriere, Martinez, Pannella, Stirbois, Turco

PPE-DE: Andria, Arvidsson, Atkins, Avilés Perea, Balfé, Beazley, Berend, Bowis, Bushill-Matthews, Callanan, Cederschiöld, Chichester, Corrie, Dover, Foster, Goodwill, Graça Moura, Grönfeldt Bergman, Hannan, Heaton-Harris, Helmer, Khanbhai, Marinos, Matikainen-Kallström, Montfort, Nicholson, Parish, Perry, Provan, Purvis, Radwan, Stevenson, Sturdy, Tannock, Twinn, Van Orden, Villiers

PSE: El Khadraoui, Stockmann, Van Lancker, Zimeray

UEN: Bigliardo, Camre, Fitzsimons, Hyland, Ó Neachtain, Poli Bortone

Verts/ALE: Dhaene

Abstention: 18

NI: Borghezio

PPE-DE: Bradbourn, Scallon

PSE: Berès, Carlotti, Ceyhun, Duhamel, Ferreira, Fruteau, Garot, Gillig, Guy-Quint, Hazan, Lavarra, Patrie, Poignant, Rocard, Savary

Pirker report A5-0419/2003

Amendment 5, 1st part

For: 421

EDD: Abitbol, Andersen, Belder, Bonde, van Dam, Kuntz, Mathieu, Sandbæk

ELDR: Andreassen, Attwooll, Busk, Calò, Costa Paolo, Davies, De Clercq, Duff, Dybkjær, Flesch, Formentini, Gasòliba i Böhm, Jensen, Ludford, Lynne, Maaten, Malmström, Manders, Monsonís Domingo, Mulder, Newton Dunn, Nordmann, Olsson, Paulsen, Pesälä, Plooij-van Gorsel, Pohjamo, Procacci, Ries, Riis-Jørgensen, Rutelli, Sbarbati, Sterckx, Sørensen, Thors, Väyrynen, Vallvé, Van Hecke, Virrankoski, Wallis, Watson

GUE/NGL: Ainardi, Alyssandrakis, Bakopoulos, Bergaz Conesa, Blak, Bordes, Brie, Caudron, Cauquil, Di Lello Finuoli, Figueiredo, Frahm, Herzog, Jové Peres, Kaufmann, Koulourianos, Krarup, Laguiller, Manisco, Markov, Marset Campos, Meijer, Modrow, Naïr, Puerta, Scarbonchi, Schmid Herman, Schröder Ilka, Seppänen, Sjöstedt, Vachetta, Wurtz

NI: Bonino, Cappato, Dell'Alba, Dupuis, Garaud, Gorostiaga Atxalandabaso, Hager, Ilgenfritz, Kronberger, Pannella, Turco

PPE-DE: Almeida Garrett, Andria, Arvidsson, Atkins, Avilés Perea, Banotti, Bartolozzi, Bastos, Bayona de Perogordo, Beazley, Berend, von Boetticher, Bourlanges, Bowis, Bremmer, Brienza, Brok, Bushill-Matthews, Camisón Asensio, Cardoso, Cederschiöld, Chichester, Cocilovo, Coelho, Cornillet, Costa Raffaele, Cushman, Daul, Deprez, De Sarnez, Descamps, De Veyrac, Doyle, Ebner, Fatuzzo, Fernández Martín, Ferrer, Ferri, Fiori, Flemming, Florenz, Fourtou, Gahler, García-Margallo y Marfil, García-Orcoyen Tormo, Gargani, Gemelli, Gil-Robles Gil-Delgado, Glase, Goepel, Gomolka, Gouveia, Graça Moura, Grönfeldt Bergman, Grosch, Grossetête, Gutiérrez-Cortines, Harbour, Hatzidakis, Hermange, Hernández Mollar, Herranz García, Inglewood, Jarzembowski, Jeggler, Karas, Kastler, Keppelhoff-Wiechert, Klamt, Klaß, Koch, Korhola, Kratsa-Tsagaropoulou, Lamassoure, Langen, Langenhagen, Laschet, Lechner, Lehne, Lisi, Lulling,

Thursday 15 January 2004

Maat, McCartin, Mann Thomas, Marini, Marinos, Marques, Martens, Martin Hugues, Matikainen-Kallström, Mayer Hans-Peter, Mayer Xaver, Menrad, Mombaur, Montfort, Morillon, Musotto, Naranjo Escobar, Nassauer, Nisticò, Oomen-Ruijten, Oreja Arburúa, Pacheco Pereira, Pack, Pastorelli, Pérez Álvarez, Perry, Pirker, Piscarreta, Podestà, Poettering, Pomés Ruiz, Posselt, Pronk, Quisthoudt-Rowohl, Rack, Rovsing, Rübigen, Sacrédeus, Santer, Santini, Sartori, Schaffner, Schierhuber, Schleicher, Schmitt, Schröder Jürgen, Smet, Sommer, Stenmarck, Stevenson, Sudre, Suominen, Tajani, Theato, Thyssen, Trakatellis, Varela Suanzes-Carpegna, van Velzen, de Veyrinas, Vidal-Quadras Roca, Vlasto, Wenzel-Perillo, Wijkman, Zabell, Zacharakis, Zappalà, Zimmerling, Zissener

PSE: Andersson, Aparicio Sánchez, Baltas, Berenguer Fuster, Berès, van den Berg, Berger, Bösch, Bowe, Bullmann, Campos, Carlotti, Casaca, Cashman, Cercas, Ceyhun, Colom i Naval, Corbett, Corbey, Dehousse, De Keyser, Díez González, Dührkop Dührkop, Duhamel, Duin, El Khadraoui, Ettl, Evans Robert J.E., Färm, Fava, Ferreira, Ford, Fruteau, Garot, Gebhardt, Gillig, Goebbels, Görlach, Gröner, Guy-Quint, Hänsch, Haug, Hazan, Hedkvist Petersen, Hoff, Honeyball, Howitt, van Hulst, Iivari, Imbeni, Izquierdo Collado, Izquierdo Rojo, Jöns, Junker, Karamanou, Karlsson, Keßler, Kindermann, Kinnock, Koukiadis, Krehl, Kreissl-Dörfler, Kuhne, Lage, Lalumière, Linkohr, Lund, McAvan, McCarthy, Malliori, Mann Erika, Marinho, Martin Hans-Peter, Martínez Martínez, Mastorakis, Medina Ortega, Mendiluce Pereiro, Menéndez del Valle, Miguélez Ramos, Miller, Miranda de Lage, Moraes, Müller, Myller, Napoletano, O'Toole, Paasilinna, Paciotti, Patrie, Piecyk, Pittella, Poignant, Poos, Prets, Rapkay, Read, Rocard, Rodríguez Ramos, Roth-Behrendt, Rothe, Rothley, Roure, Ruffolo, Sacconi, Sakellariou, Sandberg-Fries, dos Santos, Savary, Scheele, Schmid Gerhard, Schulz, Simpson, Skinner, Soares, Sornosa Martínez, Souladakis, Stihler, Stockmann, Swiebel, Swoboda, Terrón i Cusí, Theorin, Titley, Torres Marques, Vairinhos, Van Lancker, Volcic, Walter, Watts, Weiler, Whitehead, Wiersma, Wynn, Zimeray, Zorba

UEN: Angelilli, Berlato, Bigliardo, Collins, Crowley, Fitzsimons, Hyland, Muscardini, Nobilia, Ó Neachtain, Poli Bortone, Queiró, Ribeiro e Castro, Thomas-Mauro

Verts/ALE: Aaltonen, Ahern, Boumediene-Thiery, Breyer, Buitenweg, Celli, Cohn-Bendit, Dhaene, Echerer, Evans Jillian, Ferrández Lezaun, Flautre, Frassoni, Gahrton, Hudghton, Isler Béguin, Lagendijk, Lambert, McCormick, McKenna, Maes, Onesta, Ortuondo Larrea, Rod, de Roo, Rühle, Sörensen, Turmes, Voggenhuber, Wuori, Wyn

Against: 23

NI: Berthu, Borghezio, Claeys, Dillen, de Gaulle, Gollnisch, Lang, de La Perriere, Martinez, Souchet, Stirbois

PPE-DE: Callanan, Dover, Goodwill, Hannan, Heaton-Harris, Helmer, Nicholson, Sturdy, Tannock, Twinn, Van Orden

UEN: Camre

Abstention: 13

EDD: Bernié, Butel, Esclopé, Saint-Josse

PPE-DE: Bradbourn, Corrie, Elles, Evans Jonathan, Khanbhai, Provan, Purvis, Scallon, Stockton

Pirker report A5-0419/2003

Amendment 5, 2nd part

For: 204

EDD: Andersen, Bonde, Sandbæk

ELDR: Costa Paolo

GUE/NGL: Ainardi, Alyssandrakis, Bakopoulos, Bergaz Conesa, Blak, Bordes, Brie, Caudron, Cauquil, Di Lello Finuoli, Figueiredo, Frahm, Herzog, Jové Peres, Kaufmann, Koulourianos, Krarup, Laguiller, Manisco, Markov, Marset Campos, Meijer, Modrow, Nair, Patakis, Puerta, Scarbonchi, Schmid Herman, Schröder Ilka, Seppänen, Sjöstedt, Vachetta, Wurtz

Thursday 15 January 2004

NI: Bonino, Cappato, Dell'Alba, Dupuis, Gorostiaga Atxalandabaso, Pannella, Turco

PPE-DE: Cushnahan

PSE: Andersson, Aparicio Sánchez, Baltas, Berenguer Fuster, Berès, van den Berg, Berger, Bösch, Bowe, Bullmann, Campos, Carlotti, Casaca, Cashman, Cercas, Colom i Naval, Corbett, Corbey, De Keyser, Díez González, Dührkop Dührkop, Duhamel, Duin, El Khadraoui, Ettl, Evans Robert J.E., Färm, Fava, Ferreira, Ford, Fruteau, Garot, Gebhardt, Gillig, Glante, Goebbels, Görlach, Gröner, Guy-Quint, Hänsch, Haug, Hazan, Hedkvist Petersen, Hoff, Honeyball, Howitt, van Hulsten, Hume, Iivari, Imbeni, Izquierdo Collado, Izquierdo Rojo, Jöns, Karamanou, Karlsson, Kefler, Kindermann, Kinnock, Koukiadis, Krehl, Kreissl-Dörfler, Kuhne, Lage, Lalumière, Lavarra, Linkohr, Lund, McAvan, McCarthy, Malliori, Mann Erika, Marinho, Martin Hans-Peter, Martínez Martínez, Mastorakis, Medina Ortega, Mendiluce Pereiro, Menéndez del Valle, Miguélez Ramos, Miranda de Lage, Moraes, Müller, Myller, Napoletano, Paasilinna, Paciotti, Patrie, Piecyk, Pittella, Poignant, Poos, Prets, Rapkay, Read, Rocard, Rodríguez Ramos, Roth-Behrendt, Rothe, Roure, Ruffolo, Sacconi, Sakellariou, Sandberg-Fries, dos Santos, Savary, Scheele, Schmid Gerhard, Schulz, Simpson, Soares, Sornosa Martínez, Souladakis, Stihler, Stockmann, Swiebel, Swoboda, Terrón i Cusí, Theorin, Titley, Torres Marques, Vairinhos, Van Lancker, Volcic, Walter, Wiersma, Wynn, Zimeray, Zorba

UEN: Bigliardo

Verts/ALE: Aaltonen, Ahern, Boumediene-Thiery, Buitenweg, Celli, Cohn-Bendit, Dhaene, Echerer, Evans Jillian, Ferrández Lezaun, Flautre, Gahrton, Hudghton, Isler Béguin, Lagendijk, Lambert, Lannoye, MacCormick, McKenna, Maes, Onesta, Ortuondo Larrea, Rod, de Roo, Rühle, Sörensen, Turmes, Voggenhuber, Wuori, Wyn

Against: 248

EDD: Abitbol, Belder, Bernié, Butel, van Dam, Esclopé, Kuntz, Saint-Josse

ELDR: Andreasen, Attwooll, Busk, Calò, Davies, De Clercq, Duff, Dybkjær, Flesch, Formentini, Gasòliba i Böhm, Jensen, Ludford, Lynne, Maaten, Malmström, Monsonís Domingo, Mulder, Newton Dunn, Nordmann, Olsson, Paulsen, Pesälä, Pohjamo, Procacci, Ries, Riis-Jørgensen, Rutelli, Sbarbati, Sterckx, Sørensen, Väyrynen, Vallvé, Van Hecke, Virrankoski, Wallis, Watson

NI: Berthu, Borghezio, Claeys, Dillen, Garaud, de Gaulle, Gollnisch, Hager, Ilgenfritz, Lang, de La Perriere, Martinez, Souchet, Stirbois

PPE-DE: Almeida Garrett, Andria, Arvidsson, Atkins, Avilés Perea, Balfe, Banotti, Bartolozzi, Bastos, Bayona de Perogordo, Beazley, Berend, von Boetticher, Bourlanges, Bowis, Bradbourn, Bremmer, Brienza, Brok, Bushill-Matthews, Callanan, Camisón Asensio, Cardoso, Cederschiöld, Chichester, Cocilovo, Coelho, Cornillet, Corrie, Costa Raffaele, Daul, Deprez, De Sarnez, Descamps, De Veyrac, Dover, Doyle, Ebner, Elles, Evans Jonathan, Fatuzzo, Fernández Martín, Ferrer, Ferri, Fiori, Flemming, Florenz, Foster, Fourtou, Gahler, García-Margallo y Marfil, García-Orcoyen Tormo, Gargani, Gemelli, Gil-Robles Gil-Delgado, Glase, Goepel, Gomolka, Goodwill, Gouveia, Graça Moura, Grönfeldt Bergman, Grosch, Grossetête, Gutiérrez-Cortines, Hannan, Harbour, Hatzidakis, Heaton-Harris, Helmer, Hermange, Hernández Mollar, Herranz García, Inglewood, Jarzembowski, Jeggle, Karas, Kastler, Keppelhoff-Wiechert, Khanbhai, Klamt, Klaf, Koch, Korhola, Kratsa-Tsagaropoulou, Lamassoure, Langen, Langenhagen, Laschet, Lechner, Lehne, Lisi, Lulling, Maat, McCartin, Mann Thomas, Marini, Marinos, Marques, Martens, Martin Hugues, Matikainen-Kallström, Mayer Hans-Peter, Mayer Xaver, Menrad, Mombaur, Montfort, Morillon, Musotto, Naranjo Escobar, Nassauer, Nicholson, Nisticò, Oomen-Ruijten, Oreja Arburúa, Pacheco Pereira, Pack, Parish, Pastorelli, Pérez Álvarez, Perry, Pirker, Piscarreta, Podestà, Poettering, Pomés Ruiz, Posselt, Pronk, Purvis, Quisthoudt-Rowohl, Rack, Radwan, Røvsing, Rübig, Sacrédeus, Santer, Santini, Schaffner, Schierhuber, Schleicher, Schmitt, Schröder Jürgen, Schwaiger, Smet, Sommer, Stenmarck, Stevenson, Stockton, Sturdy, Sudre, Suominen, Tajani, Tannock, Theato, Thyssen, Trakatellis, Twinn, Van Orden, Varela Suanzes-Carpegna, van Velzen, de Veyrinas, Vidal-Quadras Roca, Villiers, Vlasto, Wenzel-Perillo, Wijkman, Zacharakis, Zappalà, Zimmerling, Zissener

PSE: Dehousse, Miller, O'Toole, Skinner, Watts, Whitehead

UEN: Angelilli, Camre, Collins, Crowley, Fitzsimons, Hyland, Muscardini, Nobilia, Ó Neachtain, Poli Bortone, Queiró, Ribeiro e Castro, Thomas-Mauro

Thursday 15 January 2004

Abstention: 2**PPE-DE:** Provan**PSE:** Ceyhun**Pirker report A5-0419/2003****Recital G****For: 459****EDD:** Andersen, Belder, Bernié, Bonde, Butel, van Dam, Esclopé, Mathieu, Saint-Josse, Sandbæk**ELDR:** Andreasen, Attwooll, Busk, Calò, Costa Paolo, Davies, De Clercq, Duff, Dybkjær, Fleisch, Formentini, Gasòliba i Böhm, Jensen, Ludford, Lynne, Maaten, Malmström, Manders, Monsonís Domingo, Mulder, Newton Dunn, Nordmann, Olsson, Paulsen, Pesälä, Plooij-van Gorsel, Pohjamo, Ries, Riis-Jørgensen, Rutelli, Sbarbati, Sterckx, Sørensen, Thors, Vallvé, Van Hecke, Virrankoski, Wallis, Watson**GUE/NGL:** Ainardi, Alyssandrakis, Bakopoulos, Bergaz Conesa, Blak, Bordes, Brie, Caudron, Cauquil, Di Lello Finuoli, Figueiredo, Frahm, Herzog, Jové Peres, Kaufmann, Koulourianos, Krarup, Laguiller, Manisco, Markov, Maset Campos, Meijer, Modrow, Naïr, Puerta, Scarbonchi, Schmid Herman, Schröder Ilka, Seppänen, Sjöstedt, Vachetta, Wurtz**NI:** Berthu, Bonino, Borghezio, Cappato, Claeys, Dell'Alba, Dillen, Dupuis, Garaud, de Gaulle, Gollnisch, Gorostiaga Atxalandabaso, Hager, Ilgenfritz, Kronberger, Lang, de La Perriere, Martinez, Pannella, Souchet, Stirbois, Turco**PPE-DE:** Almeida Garrett, Andria, Arvidsson, Atkins, Avilés Perea, Balfe, Banotti, Bartolozzi, Bastos, Bayona de Perogordo, Beazley, Berend, von Boetticher, Boulranges, Bowis, Bradbourn, Bremmer, Brienza, Brok, Bushill-Matthews, Callanan, Camisón Asensio, Cardoso, Cederschiöld, Chichester, Cocilovo, Coelho, Cornillet, Corrie, Costa Raffaele, Cushnahan, Daul, Deprez, De Sarnez, Descamps, De Veyrac, Dover, Doyle, Ebner, Elles, Evans Jonathan, Fatuzzo, Fernández Martín, Ferrer, Ferri, Fiori, Flemming, Florenz, Foster, Fourtoul, Gahler, García-Margallo y Marfil, García-Orcoyen Tormo, Gargani, Gemelli, Gil-Robles Gil-Delgado, Glase, Goepel, Gomolka, Goodwill, Gouveia, Graça Moura, Grönfeldt Bergman, Grosch, Grossetête, Gutiérrez-Cortines, Hannan, Harbour, Hatzidakis, Heaton-Harris, Helmer, Hermange, Hernández Mollar, Herranz García, Inglewood, Jarzembowski, Jeggle, Karas, Kastler, Keppelhoff-Wiechert, Khanbhai, Klamt, Klaw, Koch, Korhola, Kratsa-Tsagaropoulou, Lamassoure, Langen, Langenhagen, Laschet, Lechner, Lehne, Lisi, Lulling, Maat, McCartin, Mann Thomas, Marini, Marinos, Marques, Martens, Martin Hugues, Matikainen-Kallström, Mayer Hans-Peter, Mayer Xaver, Menrad, Mombaur, Montfort, Morillon, Musotto, Naranjo Escobar, Nassauer, Nicholson, Nisticò, Oomen-Ruijten, Oreja Arburúa, Pacheco Pereira, Pack, Parish, Pastorelli, Pérez Álvarez, Perry, Pirker, Piscarreta, Podestà, Poettering, Pomés Ruiz, Posselt, Pronk, Provan, Purvis, Quisthoudt-Rowohl, Rack, Radwan, Røvsing, Rübig, Sacrédeus, Santer, Santini, Sartori, Scallon, Schaffner, Schierhuber, Schleicher, Schmitt, Schröder Jürgen, Schwaiger, Smet, Sommer, Stenmarck, Stevenson, Sturdy, Sudre, Suominen, Tajani, Tannock, Theato, Thyssen, Trakatellis, Twinn, Van Orden, Varela Suanzes-Carpegna, van Velzen, de Veyrinas, Vidal-Quadras Roca, Villiers, Vlasto, Wenzel-Perillo, Wijkman, von Wogau, Zabell, Zacharakis, Zappalà, Zimmerling, Zissener**PSE:** Andersson, Aparicio Sánchez, Baltas, Berenguer Fuster, Berès, van den Berg, Berger, Bösch, Bowe, Bullmann, Campos, Carlotti, Casaca, Cashman, Cercas, Colom i Naval, Corbett, Corbey, Dehousse, De Keyser, Díez González, Dührkop Dührkop, Duhamel, Duin, El Khadraoui, Ettl, Evans Robert J.E., Färm, Fava, Ferreira, Ford, Fruteau, Garot, Gebhardt, Gillig, Glante, Goebbels, Görlach, Gröner, Guy-Quint, Hänsch, Haug, Hazan, Hedkvist Petersen, Honeyball, Howitt, van Hulten, Hume, Iivari, Imbeni, Izquierdo Collado, Jöns, Junker, Karamanou, Karlsson, Keßler, Kindermann, Kinnock, Koukiadis, Krehl, Kreissl-Dörfler, Kuhne, Lage, Lalumière, Lavarra, Linkohr, Lund, McAvan, McCarthy, Malliori, Mann Erika, Marinho, Martin Hans-Peter, Martínez Martínez, Mastorakis, Medina Ortega, Mendiluce Pereiro, Menéndez del Valle, Miguélez Ramos, Miller, Miranda de Lage, Moraes, Müller, Myller, Napolitano, O'Toole, Paasilinna, Paciotti, Patrie, Piecyk, Pittella, Poignant, Poos, Prets, Rapkay, Read, Rocard, Rodríguez Ramos, Roth-Behrendt, Rothe, Rothley, Roure, Ruffolo, Sacconi, Sakellariou, Sandberg-Fries, dos Santos, Savary, Scheele, Schmid Gerhard, Schulz, Simpson, Skinner, Soares, Sornosa Martínez, Souladakis, Stihler, Stockmann, Swiebel, Swoboda, Terrón i Cusí, Theorin, Titley, Torres Marques, Vairinhos, Van Lancker, Volcic, Walter, Watts, Weiler, Whitehead, Wiersma, Wynn, Zimeray, Zorba**UEN:** Angelilli, Berlato, Bigliardo, Camre, Collins, Crowley, Fitzsimons, Hyland, Muscardini, Nobilia, Ó Neachtain, Queiró, Ribeiro e Castro, Thomas-Mauro

Thursday 15 January 2004

Verts/ALE: Aaltonen, Ahern, Boumediene-Thiery, Breyer, Buitenweg, Celli, Cohn-Bendit, Dhaene, Echerer, Evans Jillian, Ferrández Lezaun, Flautre, Frassoni, Gahrton, Hudghton, Isler Béguin, Lagendijk, Lambert, Lannoye, MacCormick, McKenna, Maes, Onesta, Ortuondo Larrea, Rod, de Roo, Rühle, Sörensen, Turmes, Voggenhuber, Wuori, Wyn

Against: 2

EDD: Kuntz

UEN: Poli Bortone

Abstention: 2

EDD: Abitbol

PSE: Ceyhun

Glase report A5-0448/2003

Amendment 2

For: 123

EDD: Andersen, Bernié, Bonde, Butel, Esclopé, Mathieu, Saint-Josse, Sandbæk

ELDR: Andreasen, Attwooll, Busk, Calò, Costa Paolo, Davies, De Clercq, Duff, Dybkjær, Flesch, Formentini, Gasòliba i Böhm, Jensen, Ludford, Lynne, Maaten, Monsonís Domingo, Mulder, Newton Dunn, Olsson, Paulsen, Pesälä, Plooi-j-van Gorsel, Pohjamo, Procacci, Ries, Riis-Jørgensen, Rutelli, Sbarbati, Sterckx, Sørensen, Thors, Väyrynen, Vallvé, Van Hecke, Virrankoski, Wallis, Watson

GUE/NGL: Ainardi, Alyssandrakis, Bakopoulos, Bergaz Conesa, Blak, Bordes, Brie, Caudron, Cauquil, Di Lello Finuoli, Figueiredo, Frahm, Herzog, Jové Peres, Kaufmann, Koulourianos, Krarup, Laguiller, Manisco, Markov, Maset Campos, Meijer, Modrow, Nair, Puerta, Scarbonchi, Schmid Herman, Schröder Ilka, Seppänen, Sjöstedt, Vachetta, Wurtz

NI: Claeys, Dillen, Gollnisch, Gorostiaga Atxalandabaso, Lang, Martinez, Stirbois

PPE-DE: Fatuzzo, Florenz, McCartin

PSE: Dehousse, Glante, Mendiluce Pereiro

Verts/ALE: Aaltonen, Ahern, Boumediene-Thiery, Breyer, Buitenweg, Celli, Cohn-Bendit, Dhaene, Echerer, Evans Jillian, Ferrández Lezaun, Flautre, Frassoni, Gahrton, Hudghton, Isler Béguin, Lagendijk, Lambert, Lannoye, MacCormick, McKenna, Maes, Onesta, Ortuondo Larrea, Rod, de Roo, Rühle, Sörensen, Turmes, Voggenhuber, Wuori, Wyn

Against: 329

EDD: Abitbol, Belder, van Dam, Kuntz

ELDR: Nordmann

NI: Berthu, Garaud, Hager, Ilgenfritz, Kronberger, de La Perriere, Souchet

PPE-DE: Almeida Garrett, Andria, Arvidsson, Atkins, Avilés Perea, Balfe, Banotti, Bartolozzi, Bastos, Bayona de Perogordo, Beazley, Berend, von Boetticher, Bourlanges, Bowis, Bradbourn, Bremmer, Brienza, Brok, Bushill-Matthews, Callanan, Camisón Asensio, Cardoso, Cederschiöld, Chichester, Cocilovo, Coelho, Cornillet, Corrie, Costa Raffaele, Cushnahan, Daul, Deprez, De Sarnez, Descamps, De Veyrac, Dover, Doyle, Ebner, Elles, Evans Jonathan, Fernández Martín, Ferrer, Ferri, Fiori, Flemming, Foster, Fourtou, Gahler, García-Margallo y Marfil, García-Orcoyen Tormo, Gargani, Gemelli, Gil-Robles Gil-Delgado, Glase, Goepel, Gomolka, Goodwill, Gouveia, Graça Moura, Grönfeldt Bergman, Grosch, Grossetête, Gutiérrez-Cortines, Hannan, Harbour, Hatzidakis, Heaton-Harris, Helmer, Hermange, Hernández Mollar, Herranz García, Inglewood, Jarzembowski, Jeggler, Karas, Kastler, Keppelhoff-Wiechert, Khanbhai, Klamt, Klaß, Koch, Korhola, Kratsa-Tsagaropoulou, Lamassoure, Langen, Langenhagen, Laschet, Lechner, Lehne, Lisi, Lulling,

Thursday 15 January 2004

Maat, Mann Thomas, Marini, Marinos, Marques, Martens, Martin Hugues, Matikainen-Kallström, Mayer Hans-Peter, Mayer Xaver, Menrad, Mombaur, Montfort, Morillon, Musotto, Naranjo Escobar, Nassauer, Nicholson, Nisticò, Oomen-Ruijten, Oreja Arburúa, Pacheco Pereira, Pack, Parish, Pastorelli, Pérez Álvarez, Perry, Pirker, Piscarreta, Podestà, Poettering, Pomés Ruiz, Posselt, Provan, Purvis, Quisthoudt-Rowohl, Rack, Radwan, Rovsing, Rübig, Sacrédeus, Santer, Santini, Sartori, Scallon, Schaffner, Schierhuber, Schleicher, Schmitt, Schröder Jürgen, Schwaiger, Sommer, Stenmarck, Stevenson, Stockton, Sturdy, Sudre, Suominen, Tajani, Tannock, Theato, Thyssen, Trakatellis, Twinn, Van Orden, Varela Suanzes-Carpegna, van Velzen, de Veyrinas, Vidal-Quadras Roca, Villiers, Vlasto, Wenzel-Perillo, Wijkman, von Wogau, Zabell, Zacharakis, Zappalà, Zimmerling, Zissener

PSE: Andersson, Aparicio Sánchez, Baltas, Berenguer Fuster, Berès, van den Berg, Berger, Bösch, Bowe, Bullmann, Campos, Carlotti, Casaca, Cashman, Cercas, Ceyhun, Colom i Naval, Corbett, Corbey, De Keyser, Díez González, Dührkop Dührkop, Duhamel, Duin, El Khadraoui, Ettl, Evans Robert J.E., Färm, Fava, Ferreira, Ford, Fruteau, Garot, Gebhardt, Gillig, Goebbels, Görlach, Gröner, Guy-Quint, Hänsch, Haug, Hazan, Hedkvist Petersen, Honeyball, Howitt, van Hulden, Hume, Iivari, Imbeni, Izquierdo Collado, Jöns, Junker, Karamanou, Karlsson, Keßler, Kindermann, Kinnock, Koukiadis, Krehl, Kreissl-Dörfler, Kuhne, Lage, Lalumière, Lavarra, Linkohr, Lund, McAvan, McCarthy, Malliori, Mann Erika, Marinho, Martin Hans-Peter, Martínez Martínez, Mastorakis, Medina Ortega, Menéndez del Valle, Miguélez Ramos, Miller, Miranda de Lage, Moraes, Müller, Myller, Napoletano, O'Toole, Paasilinna, Paciotti, Patrie, Piecyk, Pittella, Poignant, Poos, Prets, Rapkay, Read, Rocard, Rodríguez Ramos, Roth-Behrendt, Rothe, Rothley, Roure, Ruffolo, Sacconi, Sakellariou, Sandberg-Fries, dos Santos, Savary, Scheele, Schmid Gerhard, Simpson, Skinner, Soares, Sornosa Martínez, Souladakis, Stihler, Stockmann, Swiebel, Swoboda, Terrón i Cusí, Theorin, Titley, Torres Marques, Vairinhos, Van Lancker, Volcic, Walter, Watts, Weiler, Wiersma, Wynn, Zimeray, Zorba

UEN: Angelilli, Berlato, Bigliardo, Camre, Collins, Crowley, Fitzsimons, Hyland, Muscardini, Nobilia, Ó Neachtain, Poli Bortone, Queiró, Ribeiro e Castro, Thomas-Mauro

Abstention: 8

ELDR: Manders

NI: Bonino, Borghezio, Cappato, Dell'Alba, Dupuis, Pannella, Turco

Glase report A5-0448/2003

Amendment 3

For: 75

EDD: Andersen, Bernié, Bonde, Butel, Esclopé, Mathieu, Saint-Josse, Sandbæk

GUE/NGL: Ainardi, Alyssandrakis, Bakopoulos, Bergaz Conesa, Blak, Bordes, Brie, Caudron, Cauquil, Di Lello Finuoli, Figueiredo, Frahm, Herzog, Jové Peres, Kaufmann, Koulourianos, Krarup, Laguiller, Manisco, Markov, Marset Campos, Meijer, Modrow, Nair, Patakis, Puerta, Scarbonchi, Schmid Herman, Schröder Ilka, Seppänen, Sjöstedt, Vachetta, Wurtz

NI: Gorostiaga Atxalandabaso

PSE: Dehousse, Mendiluce Pereiro

Verts/ALE: Aaltonen, Ahern, Boumediene-Thiery, Breyer, Buitenweg, Cohn-Bendit, Dhaene, Echerer, Evans Jillian, Ferrández Lezaun, Flautre, Frassoni, Gahrton, Hudghton, Isler Béguin, Lagendijk, Lambert, Lannoye, MacCormick, McKenna, Maes, Onesta, Ortuondo Larrea, Rod, de Roo, Rühle, Sørensen, Turmes, Voggenhuber, Wuori, Wyn

Against: 371

EDD: Abitbol, Belder, van Dam, Kuntz

ELDR: Andreasen, Attwooll, Busk, Calò, Costa Paolo, Davies, De Clercq, Duff, Dybkjær, Fleisch, Formentini, Gasòliba i Böhm, Jensen, Ludford, Lynne, Maaten, Malmström, Manders, Monsonís Domingo, Mulder, Newton Dunn, Nordmann, Olsson, Paulsen, Pesälä, Plooij-van Gorsel, Pohjamo, Procacci, Ries, Riis-Jørgensen, Rutelli, Sbarbati, Sterckx, Sørensen, Thors, Väyrynen, Vallvé, Van Hecke, Virrankoski, Wallis, Watson

Thursday 15 January 2004

NI: Berthu, Garaud, Hager, Ilgenfritz, Kronberger, de La Perriere, Souchet

PPE-DE: Andria, Arvidsson, Atkins, Avilés Perea, Balfe, Banotti, Bartolozzi, Bastos, Bayona de Perogordo, Beazley, Berend, von Boetticher, Bourlanges, Bowis, Bradbourn, Bremmer, Brienza, Brok, Bushill-Matthews, Callanan, Camisón Asensio, Cardoso, Cederschiöld, Chichester, Cocilovo, Coelho, Cornillet, Corrie, Costa Raffaele, Cushnahan, Daul, Deprez, De Sarnez, Descamps, De Veyrac, Dover, Doyle, Ebner, Elles, Evans Jonathan, Fatuzzo, Fernández Martín, Ferrer, Ferri, Fiori, Flemming, Florenz, Foster, Fourtou, Gahler, García-Margallo y Marfil, García-Orcoyen Tormo, Gargani, Gemelli, Gil-Robles Gil-Delgado, Glase, Goepel, Gomolka, Goodwill, Gouveia, Graça Moura, Grönfeldt Bergman, Grosch, Grossetête, Gutiérrez-Cortines, Hannan, Harbour, Hatzidakis, Heaton-Harris, Helmer, Hermange, Hernández Mollar, Herranz García, Inglewood, Jarzembowski, Jeggle, Karas, Kastler, Keppelhoff-Wiechert, Khanbhai, Klamt, Klauf, Koch, Korhola, Kratsa-Tsagaropoulou, Lamassoure, Langen, Langenhagen, Laschet, Lechner, Lisi, Lulling, Maat, McCartin, Mann Thomas, Marini, Marinos, Marques, Martens, Martin Hugues, Matikainen-Kallström, Mayer Hans-Peter, Mayer Xaver, Menrad, Mombaur, Montfort, Morillon, Musotto, Naranjo Escobar, Nassauer, Nisticò, Oomen-Ruijten, Oreja Arburúa, Pacheco Pereira, Pack, Parish, Pastorelli, Pérez Álvarez, Perry, Pirker, Piscarreta, Podestà, Poettering, Pomés Ruiz, Posselt, Pronk, Provan, Purvis, Quisthoudt-Rowohl, Rack, Radwan, Rovsing, Rübig, Sacrédeus, Santer, Santini, Sartori, Scallon, Schaffner, Schierhuber, Schleicher, Schmitt, Schröder Jürgen, Schwaiger, Smet, Sommer, Stenmarck, Stevenson, Stockton, Sturdy, Sudre, Suominen, Tajani, Tannock, Theato, Thyssen, Trakatellis, Twinn, Varela Suanzes-Carpegna, van Velzen, de Veyrinas, Vidal-Quadras Roca, Villiers, Vlasto, Wenzel-Perillo, Wijkman, von Wogau, Zabell, Zacharakis, Zappalà, Zimmerling, Zissener

PSE: Andersson, Aparicio Sánchez, Baltas, Berenguer Fuster, Berès, van den Berg, Berger, Bösch, Bowe, Bullmann, Campos, Carlotti, Casaca, Cashman, Cercas, Ceyhun, Colom i Naval, Corbett, Corbey, De Keyser, Díez González, Duhamel, Duin, El Khadraoui, Ettl, Evans Robert J.E., Färm, Fava, Ferreira, Ford, Fruteau, Garot, Gebhardt, Gillig, Glante, Goebbels, Görlach, Gröner, Guy-Quint, Hänsch, Haug, Hazan, Hedkvist Petersen, Hoff, Honeyball, Howitt, van Hulten, Hume, Iivari, Imbeni, Izquierdo Collado, Jöns, Junker, Karamanou, Karlsson, Keßler, Kindermann, Kinnock, Koukiadis, Krehl, Kreissl-Dörfler, Kuhne, Lage, Lalumière, Lavarra, Linkohr, Lund, McAvan, McCarthy, Malliori, Marinho, Martin Hans-Peter, Martínez Martínez, Mastorakis, Medina Ortega, Menéndez del Valle, Miguélez Ramos, Miller, Miranda de Lage, Moraes, Müller, Myller, Napoletano, O'Toole, Paasilinna, Paciotti, Patrie, Piecyk, Pittella, Poignant, Poos, Prets, Rapkay, Read, Rocard, Rodríguez Ramos, Roth-Behrendt, Rothe, Rothley, Roure, Ruffolo, Sacconi, Sakellariou, Sandberg-Fries, dos Santos, Savary, Scheele, Schmid Gerhard, Schulz, Simpson, Skinner, Soares, Souladakis, Stihler, Stockmann, Swiebel, Swoboda, Terrón i Cusí, Theorin, Titley, Torres Marques, Vairinhos, Van Lancker, Volcic, Walter, Watts, Weiler, Whitehead, Wiersma, Wynn, Zimeray, Zorba

UEN: Angelilli, Berlato, Bigliardo, Camre, Collins, Crowley, Fitzsimons, Hyland, Muscardini, Nobilia, Ó Neachtain, Poli Bortone, Queiró, Ribeiro e Castro, Thomas-Mauro

Abstention: 13

NI: Bonino, Borghezio, Cappato, Claey, Dell'Alba, Dillen, Dupuis, Gollnisch, Lang, Martinez, Pannella, Stirbois, Turco

Purvis report A5-0476/2003

Resolution

For: 344

EDD: Abitbol, Kuntz

ELDR: Andreasen, Attwooll, Busk, Calò, Costa Paolo, Davies, De Clercq, Duff, Dybkjær, Fleisch, Formentini, Gasòliba i Böhm, Jensen, Ludford, Lynne, Maaten, Malmström, Manders, Monsonís Domingo, Mulder, Newton Dunn, Nordmann, Olsson, Paulsen, Pesälä, Plooij-van Gorsel, Pohjamo, Procacci, Ries, Riis-Jørgensen, Rutelli, Sbarbati, Sterckx, Sørensen, Thors, Väyrynen, Vallvé, Van Hecke, Virrankoski, Wallis, Watson

NI: Berthu, Bonino, Cappato, Dell'Alba, Dupuis, Garaud, Hager, Ilgenfritz, Kronberger, de La Perriere, Pannella, Souchet, Turco

Thursday 15 January 2004

PPE-DE: Almeida Garrett, Andria, Arvidsson, Atkins, Balfe, Banotti, Bartolozzi, Bastos, Bayona de Perogordo, Beazley, Berend, von Boetticher, Bourlanges, Bowis, Bradbourn, Bremmer, Brienza, Brok, Bushill-Matthews, Callanan, Camisón Asensio, Cardoso, Cederschiöld, Chichester, Cocilovo, Coelho, Corrie, Costa Raffaele, Cushnahan, Daul, Deprez, De Sarnez, Descamps, De Veyrac, Dover, Doyle, Ebner, Elles, Evans Jonathan, Fatuzzo, Fernández Martín, Ferrer, Ferri, Fiori, Flemming, Florenz, Foster, Fourtou, Gahler, García-Margallo y Marfil, Gargani, Gemelli, Gil-Robles Gil-Delgado, Glase, Goepel, Gomolka, Goodwill, Gouveia, Graça Moura, Grönfeldt Bergman, Grosch, Grossetête, Gutiérrez-Cortines, Hannan, Harbour, Hatzidakis, Heaton-Harris, Helmer, Hermange, Inglewood, Jeggle, Karas, Kastler, Keppelhoff-Wiechert, Khanbhai, Klaß, Koch, Korhola, Kratsa-Tsagaropoulou, Lamassoure, Langen, Langenhagen, Laschet, Lechner, Lisi, Lulling, Maat, McCartin, Mann Thomas, Marini, Marinos, Marques, Martens, Martin Hugues, Matikainen-Kallström, Mayer Hans-Peter, Mayer Xaver, Menrad, Mombaur, Montfort, Morillon, Musotto, Naranjo Escobar, Nassauer, Nicholson, Nisticò, Oomen-Ruijten, Oreja Arburúa, Pacheco Pereira, Pack, Parish, Pastorelli, Pérez Álvarez, Perry, Píscarreta, Podestà, Poettering, Posselt, Pronk, Provan, Purvis, Quisthoudt-Rowohl, Rack, Radwan, Røvsing, Rübig, Sacrédeus, Santer, Santini, Scallon, Schaffner, Schierhuber, Schleicher, Schmitt, Schröder Jürgen, Schwaiger, Smet, Sommer, Stenmarck, Stevenson, Stockton, Sturdy, Sudre, Suominen, Tajani, Tannock, Theato, Thyssen, Trakatellis, Twinn, Van Orden, Varela Suanzes-Carpegna, van Velzen, de Veyrinas, Vidal-Quadras Roca, Villiers, Vlasto, Wenzel-Perillo, Wijkman, von Wogau, Zacharakis, Zappalà, Zimmerling, Zissener

PSE: Andersson, Aparicio Sánchez, Baltas, Berenguer Fuster, van den Berg, Berger, Bösch, Bowe, Campos, Casaca, Cashman, Cercas, Ceyhun, Colom i Naval, Corbett, Corbey, De Keyser, Díez González, Dührkop Dührkop, Duin, El Khadraoui, Ettl, Evans Robert J.E., Färm, Fava, Ford, Gebhardt, Glante, Goebbels, Gröner, Hänsch, Hedkvist Petersen, Hoff, Honeyball, Howitt, Hume, Iivari, Imbeni, Izquierdo Collado, Jöns, Junker, Karamanou, Karlsson, Keßler, Kindermann, Kinnock, Koukiadis, Krehl, Kuhne, Lage, Lavarra, Linkohr, Lund, McAvan, McCarthy, Malliori, Mann Erika, Marinho, Mastorakis, Medina Ortega, Miguélez Ramos, Miller, Miranda de Lage, Moraes, Müller, Myller, Napoletano, O'Toole, Paasilinna, Patrie, Piecyk, Pittella, Poignant, Poos, Prets, Rapkay, Read, Rodríguez Ramos, Roth-Behrendt, Rothe, Rothley, Ruffolo, Sacconi, Sakellariou, Sandberg-Fries, dos Santos, Savary, Scheele, Schmid Gerhard, Schulz, Simpson, Skinner, Soares, Sornosa Martínez, Souladakis, Stihler, Stockmann, Swiebel, Swoboda, Terrón i Cusí, Theorin, Titley, Torres Marques, Vairinhos, Van Lancker, Volcic, Walter, Watts, Weiler, Whitehead, Wiersma, Wynn, Zimeray, Zorba

UEN: Angelilli, Berlato, Camre, Crowley, Muscardini, Nobilia, Poli Bortone, Queiró, Ribeiro e Castro, Thomas-Mauro

Against: 69

EDD: Andersen, Belder, Bonde, van Dam, Sandbæk

GUE/NGL: Alyssandrakis, Bergaz Conesa, Bordes, Caudron, Cauquil, Di Lello Finuoli, Figueiredo, Krarup, Laguiller, Manisco, Meijer, Naïr, Patakis, Schmid Herman, Schröder Ilka, Seppänen, Sjöstedt, Vachetta

NI: Lang, Stirbois

PSE: Berès, Carlotti, Duhamel, Ferreira, Fruteau, Garot, Gillig, Görlach, Guy-Quint, Haug, Hazan, Lalumière, Martin Hans-Peter, Mendiluce Pereiro, Rocard, Roure

Verts/ALE: Aaltonen, Ahern, Boumediene-Thiery, Breyer, Buitenweg, Celli, Cohn-Bendit, Dhaene, Echerer, Evans Jillian, Ferrández Lezaun, Flautre, Frassoni, Isler Béguin, Lagendijk, Lambert, Lannoye, McKenna, Maes, Onesta, Ortuondo Larrea, Rod, de Roo, Rühle, Sörensen, Turmes, Wuori, Wyn

Abstention: 24

EDD: Bernié, Butel, Esclopé, Mathieu, Saint-Josse

GUE/NGL: Ainardi, Bakopoulos, Blak, Brie, Frahm, Herzog, Jové Peres, Kaufmann, Koulourianos, Marselet Campos, Modrow, Puerta, Wurtz

NI: Borghesio, Gorostiaga Atxalandabaso, Martinez

PSE: Dehousse, Paciotti

Verts/ALE: MacCormick

Thursday 15 January 2004

B5-0016/2004 — RC — Zimbabwe

For: 66

EDD: Belder

ELDR: Lynne, Maaten, Manders

GUE/NGL: Koulourianos, Meijer

NI: Berthu

PPE-DE: Andria, Arvidsson, Balfe, Bowis, Camisón Asensio, Coelho, Cushnahan, Daul, Elles, Flemming, Gahler, Goepel, Grönfeldt Bergman, Grossetête, Gutiérrez-Cortines, Jeggle, Karas, Keppelhoff-Wiechert, Klaß, Korhola, Kratsa-Tsagaropoulou, McCartin, Mann Thomas, Mayer Hans-Peter, Menrad, Nassauer, Nicholson, Pomés Ruiz, Posselt, Purvis, Rübige, Schierhuber, Schröder Jürgen, Stenmarck, Sudre, Vlasto, Zimmerling

PSE: Baltas, Bullmann, Dehousse, Ettl, Ford, Gebhardt, Gillig, Junker, Kindermann, Lage, Martin Hans-Peter, Martínez Martínez, Mastorakis, Medina Ortega, Scheele, Souladakis, Swoboda

UEN: Collins, Ribeiro e Castro

Verts/ALE: Isler Béguin, Maes, Onesta

Against: 4

EDD: Sandbæk

Verts/ALE: Echerer, Ferrández Lezaun, Lagendijk

Abstention: 2

GUE/NGL: Caudron

NI: Gorostiaga Atxalandabaso

B5-0014/2004 — RC — Burundi

For: 72

EDD: Sandbæk

ELDR: Lynne, Maaten, Manders

GUE/NGL: Caudron, Koulourianos, Meijer

NI: Berthu, Gorostiaga Atxalandabaso

PPE-DE: Andria, Arvidsson, Balfe, Bowis, Camisón Asensio, Coelho, Cushnahan, Daul, Elles, Flemming, Gahler, Goepel, Grönfeldt Bergman, Grossetête, Gutiérrez-Cortines, Jeggle, Karas, Keppelhoff-Wiechert, Klaß, Korhola, Kratsa-Tsagaropoulou, McCartin, Mann Thomas, Mayer Hans-Peter, Menrad, Nassauer, Nicholson, Pomés Ruiz, Posselt, Purvis, Rübige, Schierhuber, Schröder Jürgen, Sommer, Stenmarck, Sudre, Vlasto, Zimmerling

PSE: Baltas, Bullmann, Dehousse, Ettl, Ford, Gebhardt, Gillig, Junker, Kindermann, Lage, Martin Hans-Peter, Martínez Martínez, Mastorakis, Medina Ortega, Scheele, Souladakis, Swoboda

UEN: Collins, Ribeiro e Castro

Verts/ALE: Echerer, Ferrández Lezaun, Isler Béguin, Lagendijk, Maes, Onesta

Abstention: 1

EDD: Belder

Thursday 15 January 2004

B5-0015/2004 — RC — Haiti**For: 73****EDD:** Belder, Sandbæk**ELDR:** Lynne, Maaten, Manders**GUE/NGL:** Caudron, Koulourianos, Meijer**NI:** Berthu, Gorostiaga Atxalandabaso**PPE-DE:** Andria, Arvidsson, Balfe, Bowis, Camisón Asensio, Coelho, Cushnahan, Daul, Elles, Flemming, Gahler, Goepel, Grönfeldt Bergman, Grossetête, Gutiérrez-Cortines, Jeggle, Karas, Keppelhoff-Wiechert, Klaß, Korhola, Kratsa-Tsagaropoulou, McCartin, Mann Thomas, Mayer Hans-Peter, Menrad, Nassauer, Nicholson, Pomés Ruiz, Posselt, Purvis, Rübig, Schierhuber, Schröder Jürgen, Sommer, Stenmarck, Sudre, Vlasto, Zimmerling**PSE:** Baltas, Bullmann, Dehousse, Ettl, Ford, Gebhardt, Gillig, Junker, Kindermann, Lage, Martin Hans-Peter, Martínez Martínez, Mastorakis, Medina Ortega, Scheele, Souladakis, Swoboda**UEN:** Collins, Ribeiro e Castro**Verts/ALE:** Echerer, Ferrández Lezaun, Isler Béguin, Lagendijk, Maes, Onesta

Thursday 15 January 2004

TEXTS ADOPTED

P5_TA(2004)0024

Dock dues in the French overseas departments *

Proposal for a Council decision on the system of dock dues in the French overseas departments and extending Decision 89/688/EEC (COM(2003) 792 — C5-0656/2003 — 2003/0308(CNS))

(Consultation procedure)

The proposal was approved.

P5_TA(2004)0025

VAT on certain highly labour-intensive services *

European Parliament legislative resolution on the proposal for a Council directive amending Directive 77/388/EEC to extend the facility allowing Member States to apply reduced rates of VAT to certain labour-intensive services (COM(2003) 825 — C5-0653/2003 — 2003/0317(CNS))

(Consultation procedure)

The European Parliament,

- having regard to the Commission proposal to the Council (COM(2003) 825) ⁽¹⁾,
 - having regard to Article 93 of the EC Treaty, pursuant to which the Council consulted Parliament (C5-0653/2003),
 - having regard to its position of 4 December 2003 on the proposal for a Council directive amending Directive 77/388/EEC as regards reduced rates of value added tax ⁽²⁾,
 - having regard to Rules 67 and 158(1) of its Rules of Procedure,
 - having regard to the report of the Committee on Economic and Monetary Affairs (A5-0001/2004),
1. Approves the Commission proposal;
 2. Calls on the Council to notify Parliament if it intends to depart from the text approved by Parliament;
 3. Asks the Council to consult Parliament again if it intends to amend the Commission proposal substantially;
 4. Instructs its President to forward its position to the Council and Commission.

⁽¹⁾ Not yet published in OJ.

⁽²⁾ P5_TA(2003)0547.

Thursday 15 January 2004

P5_TA(2004)0026

Mutual assistance in direct and indirect taxation *I**

European Parliament legislative resolution on the proposal for a European Parliament and Council directive amending Directive 77/799/EEC concerning mutual assistance by the competent authorities of the Member States in the field of direct and indirect taxation (COM(2003) 446 — C5-0370/2003 — 2003/0170(COD))

(Codecision procedure: first reading)

The European Parliament,

- having regard to the Commission proposal to the European Parliament and the Council (COM(2003) 446) ⁽¹⁾,
 - having regard to Articles 251(2) and 95 of the EC Treaty, pursuant to which the Commission submitted the proposal to Parliament (C5-0370/2003),
 - having regard to Rule 67 of its Rules of Procedure,
 - having regard to the report of the Committee on Economic and Monetary Affairs and the opinion of the Committee on Legal Affairs and the Internal Market (A5-0466/2003),
1. Approves the Commission proposal;
 2. Calls on the Commission to refer the matter to Parliament again if it intends to amend its proposal substantially or replace it with another text;
 3. Instructs its President to forward its position to the Council and Commission.

⁽¹⁾ Not yet published in OJ.

P5_TA(2004)0027

Job creation by the service sector

European Parliament resolution on the development of the services sector for job creation (2003/2132(INI))

The European Parliament,

- having regard to the Presidency Conclusions of the Lisbon European Council of 23 and 24 March 2000,
- having regard to the Presidency Conclusions of the Santa Maria da Feira European Council of 19 and 20 June 2000,
- having regard to the Presidency Conclusions of the Nice European Council of 7 and 10 December 2000,
- having regard to the Presidency Conclusions of the Stockholm European Council of 23 and 24 March 2001,

Thursday 15 January 2004

- having regard to the Presidency Conclusions of the Brussels European Council of 20 and 21 March 2003,
 - having regard to the Presidency Conclusions of the Thessaloniki European Council of 19 and 20 June 2003,
 - having regard to the Commission Communication entitled 'An Internal Market Strategy for Services' (COM(2000) 888),
 - having regard to the Commission Communication entitled 'Consumer policy strategy 2002—2006' (COM(2002) 208) ⁽¹⁾,
 - having regard to the Commission Communication entitled 'the State of the Internal Market for Services' (COM(2002) 441),
 - having regard to the Commission Communication entitled "The future of the European Employment Strategy (EES), 'A strategy for full employment and better jobs for all'" (COM(2003) 6),
 - having regard to the Commission report entitled 'the implementation of the European Charter for Small Enterprises' (COM(2003) 21),
 - having regard to the Commission Green Paper — Entrepreneurship in Europe (COM(2003) 27),
 - having regard to the Commission Green Paper on services of general interest (COM(2003) 270),
 - having regard to the Commission report 'XXXIInd Report on Competition Policy 2002' (SEC(2003) 467),
 - having regard to the Commission Communication entitled 'Innovation in a knowledge-driven economy' (COM(2000) 567),
 - having regard to the guidelines for Member States' employment policies for the years 2000 ⁽²⁾, 2001 ⁽³⁾, 2002 ⁽⁴⁾ and 2003 ⁽⁵⁾,
 - having regard to the Member States' National Action Plans for 2000, 2001 and 2002,
 - having regard to the opinion of the Economic and Social Committee on the 'Proposal for guidelines for Member States' employment policies 2000' (COM(1999) 441),
 - having regard to Rule 163 of its Rules of Procedure,
 - having regard to the report of the Committee on Employment and Social Affairs and the opinions of the Committee on Legal Affairs and the Internal Market and the Committee on Women's Rights and Equal Opportunities (A5-0479/2003),
- A. whereas the Nice and Stockholm European Councils emphasised the fact that the field of services of general economic interest ought not to remain undeveloped, but should respond to rapid changes in the economic, knowledge and technological environment,
- B. stressing the fact that the Brussels European Council (March 2003) recognised the importance of innovation in developing new products, services and ways of doing business,

⁽¹⁾ OJ C 137, 8.6.2002, p. 2.

⁽²⁾ OJ L 72, 21.3.2000, p. 15.

⁽³⁾ OJ L 22, 24.1.2001, p. 18.

⁽⁴⁾ OJ L 60, 1.3.2002, p. 60.

⁽⁵⁾ OJ L 197, 5.8.2003, p. 13.

Thursday 15 January 2004

- C. whereas the Thessaloniki European Council called for greater competitiveness and dynamism through investment in human and physical capital and through improving the economy-wide application of technology and exploitation of research,
- D. pointing out that in the guidelines for Member States' employment policies for the year 2000, it was clearly stressed that the Member States ought to develop framework conditions to fully exploit the employment potential of the services sector and industry-related services,
- E. noting that according to the Green Paper on entrepreneurship in Europe, the support and promotion of entrepreneurship plays a key role in the development and provision of services, particularly in the education, health and social insurance sectors,
- F. pointing out that the Commission report on competition policy for 2002 stresses that the liberal professions sector (the majority of which are connected with the provision of services) is characterised by a certain level of regulation, either imposed by national governments or self-regulation by the professional bodies,
- G. considering that job creation in the services sector presupposes the adjustment of the internal market to the fundamental principles of supply and demand for services, harmonisation with competition policy and further strengthening the internal market, and also requires new models of consumption to be taken into account, with an ever-increasing role for services,
- H. noting that the Green Paper on services of general interest states that those services which are linked to the welfare state and social protection are a matter for national, regional and local responsibilities, although the role of the Community in promoting cooperation and coordination in these areas is recognised,
- I. noting that the Commission made a commitment, in connection with the application of the European Charter for Small Enterprises, to work in close cooperation with the Member States to help them improve the business environment for small businesses through a multiannual programme for enterprise and entrepreneurship, and that this fact has a direct impact on the services sector,
- J. whereas the services sector is currently twice the size of the manufacturing sector in terms of GDP — three times, if social and public services are included — approaching 70 % of GNP, with 65 % of the total of active workers,
- K. emphasising the fact that in the EU today there is considerable untapped potential for job creation in eco-efficient, social and public services, the social economy and third sector service development,
- L. emphasising the fact that the EU needs to find more intelligent solutions to labour organisation and productivity in the service sector, with the goal, on the one hand, of improving the relationship between technology and the organisation of labour, and, on the other hand, of improving skills, qualifications, wage structures and the utilisation of human resources so that new technologies become accessible for all employees,
- M. noting that, in the new Member States, the service sector is exceptionally weak, with average employment figures which still fall short of the lowest in the EU Member States, given the fact that adapting

Thursday 15 January 2004

this sector to the demands of globalisation requires exceptional care because of the special structural problems in these countries,

- N. noting the differentiation in development rates in the services sectors, with remarkable growth shown by those based on the new technologies, communications and information, as well as by services such as tourism, restaurants, health and beauty services etc., where a high degree of specialisation among workers can be found,
- O. noting the wide pay differentials between and within these sectors,
- P. stressing the fact that there is a geographical variation with regard to the development and provision of services, with the regions lagging markedly behind, a fact which is causing problems for the EU's regional and social convergence,
- Q. whereas the Commission recognises that a decade after the scheduled completion of the single internal market, there are still numerous and diverse barriers (chiefly of a legal nature) hindering the free movement of workers and the provision of services across borders throughout the Member States,
- R. taking into account the ever-increasing importance of professional mobility and fixed-term employment in the services sector and the fact that this sector represents a reservoir of a large work force for other sectors of the economy, to cover their temporary needs,
- S. considering that the availability of high-quality services for all manufacturing sectors should be stepped up, in view of the fact that currently these produce added value for the secondary (processing) sector as well as the primary sector (agriculture) and represent the most important factor for improving the quality of life,
- T. stressing the fact that in consumer sector services we generally see small, labour-intensive enterprises with, traditionally, a greater representation of women in the labour force,
- U. whereas 80 % of female employment is concentrated in the service sector, which is marked by horizontal segregation, inter alia, 90.4 % of domestic service workers, 71.8 % of health sector workers and 65.4 % of education workers, are female workers; the areas of technologically-based occupations are also marked by gender segregation,
- V. noting that the public services in general and especially those which provide care (for children, the elderly, individuals with special needs), which are currently under pressure from curbs on public expenditure, need to be restrengthened and renewed by means of new activities and types of service, also in the third sector, particularly within the context of the social economy,
- W. pointing out that the growth of the service sector in the past decades has not compensated for the job losses in the industrial sector, as the service sector too has experienced a process of rationalisation; points out that the maintenance of a low-wage service sector implies low quality, low skills and low productivity, which undermine the capacity of the economy to generate innovation, sustainable wealth and social cohesion,

Thursday 15 January 2004

1. Calls on the Commission to publish a White Paper on the completion of an effective European services sector as rapidly as possible, in order to put forward in a more specific manner policies, presented individually for each service sector, designed to produce the appropriate conditions for job creation in all areas of the services sector (private business services, services of general interest, public services, social economy), especially for sectors of activity which meet the challenges of the future; considers that the Commission should take into account the challenge which the services sector will face in the new Member States within the context of promoting sustainable development and social welfare;
2. Calls on the Commission, together with the Member States, within the framework of the existing coordination method for employment, to promote in addition an open method of coordination for national policies on employment in the services sector, with the specific objective of exchanging information and best practice to determine the most advisable methods to ensure that the labour reserves and the economic potential at the disposal of the services sector can be put to full use throughout the enlarged Union, including the regions lagging behind;
3. Notes that the principle of mutual recognition and freedom of establishment will be absolutely indispensable to a dynamic European service market and calls upon the Member States to accept this principle in their own economic reform programmes;
4. Calls on the governments of the Member States, in cooperation with the social partners, to develop an effective and clear political framework for services and to ensure that suitable policies are implemented (legislation, information services, conditions for entering the labour market, etc.);
5. Calls on the Competitiveness Council to give the creation of an internal market for services a much higher priority, and to ensure that proposals such as the sales promotion regulation and the unfair commercial practices directive are given a high priority;
6. Recalls that within the framework of the European Employment Strategy, the National and Local Action Plans should be co-ordinated in order to exploit the high potential for job creation at local level, where innovative work practices and professions can be promoted, improving the quality of jobs, bearing in mind that local labour markets are more accessible to marginal groups of the labour force, inter alia, women;
7. Stresses that in order to develop the service sector, public authorities at both national and local level should assess the gender impact of their public policies by creating national and local partnerships with economic and social actors, including women's organisations;
8. Calls on the Commission to propose, and on the Member States to implement, as rapidly as possible, a directive on services as part of the internal market with the aim of tackling the serious barriers placed in the way of the movement of workers and the provision of services in the EU, which constitute a major impediment to the growth of small and medium-sized enterprises and deprive them of the ability to increase employment in the services sector;
9. Calls on the Commission to formulate policies and programmes to encourage the Member States to adopt and implement policies in the sector of education, qualifications, specialisation and professional guidance, training, identifying and addressing skills shortages, taking into account the links between the services sectors, particularly the social economy sector and the other sectors of the economy, in order to prepare a suitable specialised work force in the services sector, which is continually developing in an environment of rapid technological, social and economic change;

Thursday 15 January 2004

10. Notes that a highly competitive communications sector is one of the very foundation stones of a pan-European service sector; calls upon Member States to implement the European Union electronic communications regulations without delay; registers its considerable concern that so many Member States have already fallen behind the transposition deadline for this crucial legislative package;

11. Considers that initiatives ought to be taken, especially with regard to the adjustment of funding from the structural funds, to facilitate research into the generation of new service products, the promotion of human resources training programmes in services, the reduction of the costs of disseminating and receiving information for the new services that are created, and the acceleration of the rate at which innovation is disseminated in the services sector, with the aim of increasing the proportion of new products on the market;

12. Calls for the Structural Funds and particularly the European Social Fund to be used to support the development of the services sector and believes also that following the Lisbon and Feira Summits the European Investment Bank, which has given a commitment to focus on projects that support innovation in the European Union and has approved the following operational principles, human capital formation, research and development, information and communications technology networks and diffusion of innovation, should support the services sector and its employment creation potential;

13. Accepts the fact that employment in the services sector is very often complex (e.g. tourism is primarily developing in a sector which operates with staff of two types: permanent and seasonal, but also with restricted opportunities for investment in human resources), calls on the Member States to take positive measures with the aim of upgrading these professions in the services sector in order to offer quality jobs with reasonable pay and working conditions;

14. Calls on the Member States to limit the bureaucratic and time-consuming nature of the procedures for starting and operating both domestic enterprises and those from other Member States (procedures for issuing licences, registration, taxation etc.), as the result of this is to discourage the growth of SMEs and the creation of new enterprises providing services;

15. Believes that policy on self-employment and the development of an entrepreneurial culture should be linked with the generation of new service products, since development in the services sector requires the ability to take the initiative and a risk-taking approach;

16. Thinks that the policy of extending supply and demand in the services sector in the single internal market ought to be linked to the guaranteeing of a high level of consumer protection, mainly through initiatives contributing to consumer security at the European level and by directing attention to the creation of systems to resolve disputes in an efficient, rapid and relatively low-cost way;

17. Stresses that quality jobs should be created, especially in new and competitive service sectors, in order to increase the share of the active female population and to reduce discrimination in the labour market, particularly concerning the gender pay gap and access to employment and promotion;

18. Stressing the major lack of innovation in the services sector, calls on the Commission to draw up programmes to encourage the Member States to adopt active policies for applying research, development and innovation to the services sector, given the fact that research and development are as a rule the industrial sector's 'prerogative';

Thursday 15 January 2004

19. Calls on the Member States to promote innovation in services sector areas where as a rule the state is the primary instigator of organisation and development, such as the fields of public education, health, transport etc.;
20. Calls for undeclared ('black') work to be converted to regular work within the service sector in order to improve the general business climate and taxpaying morality, and to create competition under equal conditions; considers that the EU must step up its cooperation in combating black work;
21. Draws the attention of the Member States to the fact that demographic developments in a majority of Member States are such that the work in the area of care for the elderly should be accorded higher status, not least among young people;
22. Calls on the Member States and the Commission to improve the quality and availability of the statistical data needed for comparative evaluation in jointly agreed-on sectors of vital importance for policy in the realm of services; the adoption of common indicators at the European level will facilitate accurate monitoring and the drafting of policies for employment, productivity as well as greater promotion of the services sector;
23. Taking into account the contribution of new forms of employment to the services sector (part-time and temporary employment, teleworking, home-working, etc.), calls on the Member States to enhance the quality of these new forms of working, namely part-time work, by ensuring that all workers are guaranteed the same, high level of protection and job security and by improving the working conditions for women;
24. Calling attention to the situation of women in the services sector, which is often characterised by precarious employment, a low-pay structure, lack of education and training opportunities etc., and to their participation both in traditional activities (education, medical and elderly care, health, tourism, the restaurant sector) as well as in the new and constantly developing sectors (beauty, entertainment), calls on the Member States to implement equality policies to protect and promote the rights of women workers (retirement, social insurance, training, professional development, equal pay, work-life balance, etc.), in particular calls on the Member States to develop child and elderly care services, in order to actively support the reconciliation of family and professional life;
25. Considers that businesses need to take steps, as a matter of urgency, to ensure that women are better represented in decision-making and managing both public and private undertakings; also considers that it is important to improve conditions for self-employed workers to encourage more women to choose this path;
26. Calls on the Member States to encourage the expansion and improvement in the quality of support and household-related services and to take measures to encourage an equal sharing of the domestic work between women and men, which will also contribute to raising the female employment rate; takes the view that, to that end, the Member States should recognise domestic work performed by third parties as a proper occupation; in particular calls on the Member States to increase the supply of services providing care for children and the elderly, in order to make it possible to reconcile family and professional life in practice, and underlines public responsibility in terms of controlling and guaranteeing the quality and affordability of such services;
27. Stresses the urgent importance for the Member States of increasing opportunities for disabled people and legal immigrants to have access to the labour market in the service sector and especially for possibilities for entrepreneurship and the spirit of new enterprise; considers that such improvements are necessary in the light of future needs in the care sector, for example, in order to increase the participation and integration of these groups in the labour market and in the social community;

Thursday 15 January 2004

28. Calls on the Member States to consider the valuable contribution which a developed and dynamic cooperative service and business sector may make to service production;
29. Calls on the Commission to take steps to exchange and disseminate examples of good practice to the Member States on development models and options for enterprises in the services sector, and in collective sectoral agreements, in relation to the social rights of workers in services;
30. Considers that the service sector can make an important contribution to the goal of promoting active ageing and calls on the Member States to take this into account in implementing this aspect of the Employment Guidelines for 2003;
31. Calls on the Commission to carry out a systematic inventory, for those services which fall within the category of network services of general interest, of the effects which their liberalisation has had to date with regard to employment growth and the extent to which the needs of society as a whole are being met, so that the strategy for the future of services of general interest can be formulated consistently;
32. Taking into account the role and contribution of services to the local economy and regional convergence, and in view of the role of the social economy in terms of inclusion and job creation, calls on the Member States to promote policies to support specific service sectors, taking account of the advantages (location, environment, infrastructure, culture) and the needs of local regions;
33. Instructs its President to forward this resolution to the Council and Commission and the parliaments of the Member States.
-

P5_TA(2004)0028

Immigration, integration and employment

European Parliament resolution on the Communication from the Commission on immigration, integration and employment (COM(2003) 336 — 2003/2147(INI))

The European Parliament,

- having regard to the Commission Communication (COM(2003) 336),
- having regard to the conclusions of the European Council meetings at Tampere (15—16 October 1999) and Lisbon (23—24 March 2000),
- having regard to the Charter of Fundamental Rights of the European Union⁽¹⁾, the provisions of which apply to all persons in the European Union irrespective of nationality, and particularly Articles 4, 5, 14, 15, 20, 21 and 23,
- having regard to Council Directive 2000/43/EC of 29 June 2000 on implementing the principle of equal treatment between persons irrespective of racial or ethnic origin⁽²⁾ and Council Directive

⁽¹⁾ OJ C 364, 18.12.2000, p.1.

⁽²⁾ OJ L 180, 19.7.2000, p. 22.

Thursday 15 January 2004

2000/78/EC of 27 November 2000 on establishing a general framework for equal treatment in employment and occupation ⁽¹⁾, based on Article 13 of the EC Treaty,

- having regard to the Commission Communication on integrating migration issues in the EU's relations with third countries (COM(2002) 703),
 - having regard to the Greek Presidency conference on 'Managing migration for the benefit of Europe' (Athens, May 2003),
 - having regard to the own-initiative opinion of the European Economic and Social Committee on 'Immigration, integration and the role of civil society organisations' ⁽²⁾ and the subsequent conference on the same subject (Brussels, September 2002),
 - having regard to Rules 47(2) and 163 of its Rules of Procedure,
 - having regard to the report of the Committee on Employment and Social Affairs and the opinions of the Committee on Citizens' Freedoms and Rights, Justice and Home Affairs, the Committee on Women's Rights and Equal Opportunities and the Committee on Petitions (A5-0445/2003),
- A. whereas the main strands of immigration policy identified by the Tampere European Council (partnership with countries of origin, a common European asylum system, fair treatment of third country nationals and management of migration flows) remain valid today; whereas there is an urgent need for them to be developed on the basis of the legislative framework provided for in Articles 61 to 69 of the Treaty, in connection with which the Commission has already presented proposals, taking account of Parliament's opinion,
- B. whereas the overwhelming majority of third-country nationals immigrating to EU Member States are fleeing circumstances of extreme poverty in their countries of origin,
- C. whereas competence for determining the quantity and type of workers accepted from third countries lies with the Member States, to enable them to manage migration to the EU in a way which reflects their capacities and needs; whereas national legal frameworks and policies in relation to increased migration to the EU vary from state to state; whereas all Member States face the common challenge of improving their management of migration flows, improving integration policies towards, and in partnership with, new and established migrants, seeking to form partnerships with third countries of origin and improving dialogue with these countries in the comprehensive, joined-up approach set out at the Tampere European Council, while at all moments being aware that immigrants must not be seen as disposable workers who can be used and then discarded,
- D. whereas the Tampere European Council explicitly requested 'a more vigorous integration policy' which 'should aim at granting legally resident third country nationals rights and obligations comparable to those of EU citizens',
- E. whereas it should be the task of the EU, in the interest of the managed migration of workers into the Member States, to develop common conditions and rules for the entry and residence of migrant workers; whereas in this connection a coherent plan for the issue of visas should be created; whereas improved management of migration flows and the sharing of best practice in integration policies should take place in the context of significant independent research showing the positive overall economic benefits, as well as costs, to Member States of immigration; whereas the improved and full

⁽¹⁾ OJ L 303, 2.12.2000, p. 16.

⁽²⁾ OJ C 125, 27.5.2002, p. 112.

Thursday 15 January 2004

integration of new and established migrants, particularly in the EU labour market, realises the economic potential of migrants, promotes social cohesion and respect for diversity, and contributes to the Lisbon goals, namely to create a competitive and dynamic knowledge-based economy capable of sustainable economic growth with more and better jobs and greater social cohesion,

- F. whereas a distinction must be made between those aspects of immigration policy related to the initial reception of new arrivals with a view to facilitating their integration and those related to second and third generation immigrants still facing social, economic or political exclusion,
- G. whereas the (imminent) enlargement of the EU will change the dynamics of migration in Europe — probably to the overall benefit of European labour markets, which should lead to greater freedom of movement between existing and new Member States; whereas countries outside the EU are becoming new EU border or neighbouring countries; whereas the enlargement countries (applicants), many of which were neighbouring countries before enlargement, will also have to focus their attention to a greater extent on migration; whereas integration measures also benefit intra-EU migrants, including from the new Member States,
- H. whereas, in most cases, illegal residence is the result of people who entered legally into the territory of the EU losing their authorisation,
- I. whereas clamping down on illegal employment and on those who take advantage of such employment is an integral part of the fight against illegal immigration; whereas facilitated legal access of immigrants to the labour market may reduce both supply of and demand for illegal work,
- J. whereas women are a not insignificant and substantial majority of immigrants, including those of second and third generation, asylum seekers and illegal immigrants,
- K. whereas women are the victims of discrimination on the basis of both gender and origin, and whereas such discrimination also affects second and third generation immigrants, whatever their degree of integration,
- L. whereas European migration and integration policy must be consistent with wider EU social, economic, foreign and development policy objectives and in line with core European values such as equality of opportunity, human rights, dignity, tolerance, respect for diversity, action to combat discrimination and participation in civic, cultural and political life,

1. Notes this Commission initiative in line with the Tampere European Council's emphasis on developing a more effective migration and integration policy regarding third country nationals in the EU; this is the first time that even-handed consideration has been given to three vital and inter-related issues: managing migration to the EU in a context of ageing working age populations; improving the integration of migrants in the EU; and the need for co-operation with countries of origin; believes that the fight against illegal immigration and trafficking in people must not give rise to a repressive policy aimed at immigrants in irregular circumstances, but should, rather, target the traffickers and employers who exploit those circumstances;

Thursday 15 January 2004

2. Notes that these issues go to the heart of the Lisbon agenda and its vision of mutually-supportive employment, social and economic policies: on the one hand, migration and maximising employment are increasingly important for EU labour markets and economic growth; on the other, the integration of new migrants, established third country nationals and EU citizens of ethnic minority origin is becoming a key factor for social cohesion; in this sense, labour market issues are crucial but cannot be seen in isolation: integration also depends on a range of other factors including the social context, education and language skills, civic participation, the involvement of civil society and the social partners, effective implementation of EU funding programmes to tackle labour market disadvantage such as the European Social Fund, EQUAL, the European Integration Fund, the European Refugee Fund, as well as the legal framework (e.g. proper implementation of the Article 13 anti-discrimination Directives); successful integration of migrants is one element of achieving social inclusion, for the benefit of the individuals concerned as well as local communities and wider society;

3. Emphasises that different groups of migrants require different policies for integration; stresses that integration concerns not only newly-arrived migrants but also long-term resident third country nationals and second and third generation migrants, and that this must be taken into account in policy-making;

4. Emphasises the fact that among the many factors that promote the integration of migrants the question of language skills for men and women, regardless of the employment issue, is a central one, since such skills facilitate the structuring of thoughts, the ability to be autonomous, a better understanding of society and the way in which it is organised and the development and improvement of the interpersonal abilities that foster social cohesion;

5. Highlights the crucial importance of a gender perspective in immigration and integration matters also in relation to employment; lack of focus on the specific gender problems arising in connection with immigration and integration can have devastating effects for the women involved as well as for society in general, especially the societies in which these women reside;

The EU's demographic/workforce challenge: managed migration as part of the answer

6. Points to significant international research showing migration trends to be the largest component of population change in much of the developed world; notes that the EU-25 working age population is set to shrink from 303m to 297m by 2020 — and then to 280m by 2030, almost doubling the old age dependency ratio — and that the fall in total employment could have negative effects on economic growth, since economic growth is the result of growth in employment and productivity;

7. Underlines the importance of looking upon immigrants, especially women, as a resource and a generally valuable acquisition for the labour market, to have a pluralistic workforce and a good use of the broad human resources available;

8. Agrees that migratory flows are an inescapable reality that can and must be harnessed to the mutual benefit of host countries and countries of origin; also agrees that managed migration, including temporary migration mechanisms, must be part of the response to EU demographic and economic trends, and their impact on social security systems, but that it cannot be the only solution — for example, significantly higher birth rates are also a major factor; emphasises that migration policies must be developed in parallel

Thursday 15 January 2004

with complementary integration measures; underlines that migration cannot be viewed purely in terms of economic potential and that comprehensive policies must therefore also cover social, cultural, religious and political dimensions;

9. Emphasises that good managed migration policies can include the following:

- realising that skilled workers taking up jobs within the EU does not necessarily lead to 'brain-drain' in the countries of origin, since many workers return to these countries using their new experiences for the benefit of their home economies and communities;
- learning from existing experiences with the Green Card in the USA when formulating policies to make it easier for third country nationals to work temporarily in a Member State, with or without having a job contract in advance; however, best practice on recruitment and admission policies should be shared in the EU; this calls for a thorough forward-looking analysis of the labour market broken down by regions and sectors for each country and in a European context; careful consultation is therefore needed with the social partners and with the institutions responsible for the regional and local labour market;

10. Insists that managed migration cannot mean:

- side-stepping the reforms of EU labour markets and education/training systems needed to increase employability (including of migrants) and overall adaptability to economic change;
- 'cherry-picking' certain skilled workers/entrepreneurs from developing countries to the extent of risking damage to the economies of the countries of origin;
- abusing migrant workers under unacceptable conditions; illegal employment is a concern here, where action should be taken to penalise those who profit from such exploitation, not those who are its victims; furthermore, displacement effects are greatest amongst low-skilled workers, leading to social tension while also hampering efforts, including in the European Employment Strategy (EES), to boost quality of work across the labour market; or
- forgetting the commitment made in Lisbon 2002 and confirmed in Barcelona 2002 to create more and better jobs, specifically the commitment to bring to a successful conclusion efforts to ensure that the rights of all workers, including migrant workers, to work in conditions which respect their health, safety and dignity become a reality;

11. Takes the view that legal immigrants working in the hidden economy should be treated in the same way as Member State nationals vis-à-vis the handling of complaints about illegal working;

12. Emphasises the extraordinarily vulnerable situation of illegal immigrant women working illegally, secretly and in intolerable conditions which prevent them from reporting incidents of violence or discrimination, sexual or otherwise, of which they are victims, since they totally depend on their employer, the people who smuggle them in, or others;

13. Takes the view that the Member States should take urgent steps to shed light on illegal employment, especially in the domestic help sector, in which, according to its resolution of 30 November 2000 on regulating domestic help in the informal sector⁽¹⁾, a very large number of female migrant workers are employed; considers that a new solution must be found which permits families employing such workers to draw up a legal employment contract entitling them to social security cover;

14. Stresses that women and minors are the main victims of human trafficking and/or sexual exploitation and they therefore need appropriate protection and assistance; stresses the need to address the issue, to promote measures to prevent trafficking, to eliminate sexual exploitation and to ensure the integration

⁽¹⁾ OJ C 228, 13.8.2001, p. 193.

Thursday 15 January 2004

of victims; insists that the Member States should take measures and adopt appropriate legislation so as not to penalise these victims;

15. Believes that the Member States' managed migration policies must cover the whole range of migration pathways from seasonal/temporary to permanent; as the Commission points out, temporary migration can become permanent and often the greatest overall economic, social and cultural contribution comes from permanent, adaptable and well-integrated migrants;

16. Points out however that, in the current situation, migrants who have once been admitted are often steered exclusively towards becoming permanent residents: partial adjustments to labour and social law, for example, may be desirable in order to make the voluntary option of temporary residence and return to the country of origin more attractive, which may in turn stimulate development there ('brain circulation' instead of 'brain drain');

Integration and employment

17. Stresses that integration is a matter for society as a whole, and that efforts are needed both from migrants and from indigenous populations in order to achieve genuine social cohesion; particularly emphasises the crucial role of local and regional authorities whose responsibilities for inter alia planning, housing, education and the labour market impact directly on integration and can promote social cohesion, social inclusion and sustainable communities; stresses the importance of supporting such work through the EU Structural Funds and initiatives such as EQUAL and Urban, while also facilitating participation by local and regional authorities in the European debate;

18. Emphasises that better knowledge of other cultures is an essential ability in a Europe that is becoming increasingly diverse and that all members of society need to learn to act in heterogeneous and changing environments; calls on the Member States to promote better knowledge of other cultures as a standard in education and in public life (politics, the labour market, public service);

19. Notes that admission policies can have a significant impact on the successful integration of migrants; calls in particular in this regard for a consistent definition of 'family' throughout the Tampere initiatives; regrets the contents of Council Directive 2003/86/EC on the right to family reunification⁽¹⁾, which run counter to the fundamental right to family life, and believes that a directive must be adopted based on the approach defined by the European Parliament; calls on the Member States to ratify the International Convention on the Protection of the Rights of All Migrant Workers and Members of Their Families, adopted by Resolution No 45/158 of the UN General Assembly on 18 December 1990;

20. Believes that a European approach to migration, integration and employment must recognise how complex the picture is, for example:

- marked variations across Member States in the conditions and quality of migrants' jobs but generally poorer than average working conditions (including health and safety conditions) for new and established migrants; lower levels of job security; and pay gaps between migrant and other workers even greater than the EU's gender pay gap, with (for example) migrant workers in London who were nationals of developing countries receiving on average 29 % lower pay, in 2001, than host country nationals;

⁽¹⁾ OJ L 251, 3.10.2003, p. 12.

Thursday 15 January 2004

- over-representation of migrants in low paid jobs;
- ethnic origin is one of many factors shaping labour market experiences — for example, certain ethnic minority communities in some Member States have a particularly high level of self-employment and entrepreneurship, much of which represents SMEs, which give a large impetus to the labour markets by providing employment; and
- integration policies and best practice will vary widely for different categories of migrants: for example, new migrants given refugee status will have markedly different needs to established migrants;

21. Underlines that many immigrant women have only derived rights through their husbands in their countries of origin; it is therefore crucial to ensure the individualisation of rights and benefits and an individual legal status for immigrant women and to provide immigrant women with detailed information, training and empowerment strategies on their rights and opportunities in order to promote the possibility of integration in society and in working life;

22. Is concerned that present EU employment rates for immigrants demonstrate that their potential economic and social contribution is not always realised; considers that employment is key to migrants' overall integration; supports proposals to improve successful and stable employment including the spreading of best practice by Member States in education and skills, with particular emphasis on language training for new migrants, building on every individual's personal skills and competences and their experience and qualifications obtained within and outside the EU, providing for a much needed better matching of the skills of individuals and the requirements of the labour markets;

23. Strongly urges measures to remove barriers such as discrimination in the workplace, including the use of successful diversity management in the workplace, as practised by some major enterprises and public institutions, to ensure fair recruitment, retention and promotion in the workplace, based on merit and irrespective of racial or ethnic origin or gender; calls for particular attention to be paid to the employment of immigrant women, and for the compilation of statistics broken down by gender;

24. Believes that an active policy of integration of legally resident third country nationals should include the following:

- establishing clear rules governing the legal status of residents and guaranteeing their right to good administration;
- allowing proper integration on the labour market;
- the duty of the resident to follow courses in the national language or languages provided by the host country and the right of access to education; recognition of academic qualifications;
- guaranteeing access to social and health services,
- efforts to create decent living conditions in cities and in the various districts thereof;
- ensuring that immigrants can participate in social, cultural and political life;

25. Considers that, in the above-mentioned areas, programmes should be established for initial reception of persons arriving in an EU Member State and that provisions related to the above-mentioned areas in the field of integration policy for second and third generation immigrants should be reviewed in order to align them with the objectives set out in this resolution;

Thursday 15 January 2004

26. Calls on the Member States to undertake the regularisation of immigrant workers who, while not in possession of a residence permit, pay taxes and social security contributions in the host country;
27. Considers the adoption of the directive on long-term residents to be essential with a view to guaranteeing the integration of third country nationals;
28. As unemployment is often higher among women immigrants than among male immigrants, notes that special focus needs to be put on how to better integrate them, make childcare facilities available, as well as special cultural and educational meeting points etc.; if gender is taken into consideration, work on better integrating immigrants will become more focused and thus more effective;
29. Stresses the importance of available and free counselling for immigrant women, i.e. counselling and aid centres especially for women, dealing with general and reproductive health, women's rights, employment, etc., and underlines that counselling needs to be gender and culture sensitive (e.g. run by women with knowledge of countries of emigration in terms of culture, family patterns etc.);
30. Stresses also, in particular, the importance of unconditional and even priority access for immigrant women to education and vocational training, essential prerequisites for real integration into society and working life;
31. Considers that various action programmes have been developed in the Member States, and notably at regional and local level, to address the increasing pluralism of present-day societies, and that the experience acquired by the various authorities in this context should be combined in a common set of achievements in order to facilitate the exchange of best practice, the comparison of results, and the availability of information to the Member States, EU institutions, regional and local authorities and other players involved;
32. Supports the proposals, in line with the open method of coordination, to promote the exchange of information, ideas and experiences regarding the integration and employment of both new and existing immigrants; notes that the European Parliament should have a strong role in this, and that all relevant actors must be involved, including migrants' organisations; at the same time, urges a more ambitious scope for actions e.g. more detailed coverage of migration-related issues in the EES, awareness-raising about migrants' rights and responsibilities, action by the EU Social Partners to improve the appropriate representation and involvement of migrant workers in the private and public sector, in trade unions and work councils and measures to improve the ethnic diversity of staff in the EU institutions and other public administrations;
33. Welcomes the inclusion in the Communication of the concept of civic citizenship, enabling third country nationals legally resident in the EU to enjoy a status conferring on them economic, social and political rights and duties, including the right to vote in local and European elections, but stresses that this means more than implementing legal initiatives; emphasises the importance of civic citizenship for a sense of belonging to a community and thus integration; calls on the Commission to continue to emphasise a need for Member States to ensure that their citizenship requirements are non-discriminatory, particularly taking into account the grounds set out in Article 13 of the Treaty;
34. Stresses that while employment is key to overall integration, other measures are required for those who do not participate in the labour market including children, people caring in the family, and those with health problems; highlights that there are many other ways of fostering participation in society and integration including the promotion of voluntary activities;

Thursday 15 January 2004

The need for a comprehensive, joined-up approach

35. Believes EU cooperation in managing migration, especially in relation to the labour market, is necessary but requires political commitment and leadership; sees the current political climate over asylum and illegal immigration as a possible obstacle to creating cooperation on managed migration and integration policies, but believes EU coordination and the sharing of best practice is highly desirable in achieving the goals of Tampere and Lisbon, while recognising the authority of individual Member States in the area of asylum as well as immigration policy;

36. Urges the Council and the Member States to put the positive case for managed migration, in particular by progressing all the elements of the balanced agenda set out at the Tampere European Council, including those side-lined (e.g. links with developing countries and integration policy) by the more recent emphasis on illegal immigration and asylum-seeking; stresses that the directives agreed so far as part of the Tampere agenda fall far short of the promises made at Tampere and notes that this has important implications for integration; calls on the Member States to explore the view of organisations such as the International Organisation for Migration which argue that policies on managed migration, including for employment, are the necessary counter-part to asylum systems reform and action against illegal immigration — without more legitimate economic migration opportunities, the abuse of, and the pressure on, asylum policy and on all illegal forms of migration will not decrease;

37. Considers that action against illegal immigration and trafficking in human beings must not result in a repressive policy directed against illegal immigrants but rather against traffickers and those who benefit from the situation;

38. Stresses the need to look into the causes and consequences of illegal as well as legal immigration and refuge, especially for women immigrants and asylum seekers, who might be emigrating because of gender discrimination or persecution;

39. Urges the Member States periodically to draw up studies and inform the Commission of the illegal and hidden labour market, its impact on national economic activity and the presence of immigrants on the labour market, given that a real prospect of finding a job unquestionably serves as an incentive for illegal immigration;

40. Insists on the need for studies, gender-specific statistics and thematic research on the feminisation of immigration, the role of women in integration and socio-economic discrimination against immigrant women, for example, in order to be able to work on drawing up European and national public policies which take account of the specific implications of gender in migration;

41. Bearing in mind that Member States are responsible for determining the number of third country nationals on their territories, supports the idea of establishing global estimates that also take into account people whose residence has been authorised on grounds other than that of economic activity, such as refugees, people enjoying subsidiary protection and those entering for family reunification purposes, including minors of working age, who must be ensured access to the labour market;

42. Welcomes the appeal lodged by its President at the European Court of Justice against Directive 2003/86/EC aimed at securing the repeal of the provision allowing Member States to subject immigrant children aged over twelve to a test before deciding if they may rejoin their parents;

Thursday 15 January 2004

Co-operation and dialogue with third countries

43. Calls on the Council and Member States to improve dialogue with third countries to ensure, inter alia, that the root causes of economic immigration are addressed, and that policies will support development objectives;

44. Also calls on the governments of the Member States to define and cooperate on systems of regulation, qualitative and quantitative, for legal entry to Europe to offer to those countries of origin and transit which experience the main flows of illegal immigration, in order to establish partnerships with a view to drawing up agreements on readmission, management of migratory flows, and the combating of illegal immigration;

45. Calls on the Member States also to conclude agreements with countries of origin so as to guarantee the transfer of immigrants' social security entitlements;

46. Calls for the necessary political and economic instruments at the disposal of the EU to be used effectively to reduce the underlying causes of migration flows and to support cooperation with third countries that have a key role to play in the management of migration;

47. Recalls the Commission Communication on integrating migration issues in the EU's relations with third countries, and in particular the following:

- a balanced overall approach which addresses the root causes of migration movements;
- a partnership on migration stemming from a definition of common interests with third countries; and
- specific and concrete initiatives to assist third countries in increasing their capacity in the area of migration management; in this regard, highlights the importance of budget item 19 02 03 (B7-667) for 2004 which provides for a multi-annual programme 2004—2008 to manage all aspects of migration flows;

48. Considers that labour migration policy should be based on efforts to achieve fair national and international labour relations; considers that consultation with countries of origin and local trade unions is therefore necessary; proposes that all this should be regulated by international legislation; the International Labour Organisation must obviously be accorded an important role in this area;

49. Calls on the governments of Member States to promote a responsible balanced debate, based on accurate, independently researched information on the levels of migration, the positive economic and social contribution of migrants as well as costs and on the way that migration can be one of many solutions to the demographic trends of the EU's declining working age population, a debate involving political leaders, the media, social partners and civil society;

50. Stresses the huge importance of gender mainstreaming in all policy areas of the EU and calls for a much higher recognition of the specific and often devastating problems which women face when immigrating and integrating into a foreign country;

*
* *

51. Instructs its President to forward this resolution to the Council and the Commission.

Thursday 15 January 2004

P5_TA(2004)0029

Illegal immigration, smuggling and trafficking of human beings

European Parliament resolution on the communication from the Commission to the European Parliament and the Council in view of the European Council of Thessaloniki on the development of a common policy on illegal immigration, smuggling and trafficking of human beings, external borders and the return of illegal residents (COM(2003) 323 — 2003/2156(INI))

The European Parliament,

- having regard to the Commission communication (COM(2003) 323),
 - having regard to the plan for the management of the external borders of the Member States of the European Union, adopted by the Justice and Home Affairs Council on 13 June 2002,
 - having regard to the conclusions of the Seville European Council of 21 and 22 June 2002 on the gradual introduction of coordinated, integrated management of external borders,
 - having regard to the conclusions of the Thessaloniki European Council of 19 and 20 June 2003 on the development of a common policy on illegal immigration, external borders, the return of illegal migrants and cooperation with third countries,
 - having regard to the conclusions of the Brussels European Council of 16 and 17 October 2003,
 - having regard to the proposal for a European Parliament and Council regulation establishing a programme for financial and technical assistance to third countries in the area of migration and asylum (COM(2003) 355) and to Parliament's position of 4 December 2003 thereon⁽¹⁾,
 - having regard to the proposal for a Council regulation amending Regulation (EC) No 1683/95 laying down a uniform format for visas and the proposal for a Council regulation amending Regulation (EC) No 1030/2002 laying down a uniform format for residence permits for third-country nationals (COM(2003) 558),
 - having regard to Rules 47(2) and 163 of its Rules of Procedure,
 - having regard to the report of the Committee on Citizens' Freedoms and Rights, Justice and Home Affairs (A5-0419/2003),
- A. whereas combating terrorism, organised crime, trafficking in human beings and drug trafficking makes internal security a key area of EU policy,
- B. whereas the outcome of proceedings in the European Convention clearly emphasises the Union's role in guaranteeing security internally and externally, in particular through the gradual introduction of the integrated management of external borders; whereas its role is clearly strengthened in this context,
- C. whereas the effective combating of trafficking in human beings, e.g. bringing to book the profiteers who earn huge sums of money from such trade, is a first step in the fight against illegal immigration into the EU,

⁽¹⁾ P5_TA(2003)0543.

Thursday 15 January 2004

- D. whereas illegal immigration and illegal employment pose a social problem not only for individual Member States, but for the EU as a whole, so that progress in the sphere of asylum and immigration policy must therefore be made at EU level to avoid the human tragedies which are a daily occurrence in the European Union,
- E. whereas people who leave their country to migrate to the European Union are people who, in their own eyes, have good, often vital reasons for doing so; whereas each of us, in the same economic, social, psychological and emotional conditions, would do likewise;
- F. whereas a legal immigration policy, particularly in agriculture, forestry, the restaurant business and the building industry, accompanied by systematic combating of illegal employment in those sectors, may reduce the 'pull factor' in those sectors of the economy based on illegal immigration,
- G. whereas it is of the utmost importance that the victims of trafficking in human beings are not regarded as criminals but as victims of crime,
- H. whereas, in the continued development of the area of freedom, security and justice, coherent EU measures in the sphere of illegal immigration and border protection are necessary,
- I. whereas more stringent checks at the EU's external borders may curb the activities of smugglers of human beings and thus help to prevent trafficking,
- J. whereas a Community return policy, preventive measures taken in cooperation with third states and an integrated plan for measures to combat traffickers can only be effective if accompanied by an active policy of legal immigration and a common coherent asylum policy,
- K. whereas targeted stabilisation programmes in countries of origin and of transit can help to improve the economic, political or social circumstances which potential migrants perceive as push factors,
- L. whereas the more widespread provision in countries of origin and of transit of information regarding the consequences of illegal immigration into the EU and the scope for legal immigration can offer a counterargument to the promises made by traffickers and thus help to prevent illegal immigration,
1. Endorses the conclusions reached at the Tampere, Brussels and Thessaloniki European Councils, and the legislative package presented by the Commission;

Securing the EU's external borders

2. Takes the view that the vital need for uniform security standards at all the external borders of the enlarged EU calls for both responsibility sharing in connection with the task of securing sections of those borders which are particularly at risk and improvements in the effectiveness of measures by means of joint action or coordination;
3. Reiterates its position set out in its resolution of 15 January 2003⁽¹⁾ on integrated management of the external borders in regard to the implementation of a joint basic and further training plan for the common management of borders, inter alia through further training programmes under ARGO and the establishment of a European Staff College;

⁽¹⁾ P5_TA(2003)0013.

Thursday 15 January 2004

4. Reiterates its support for the development of a European Corps of Border Guards, made up of special units, which would be financed by the Community and, if necessary and at the request of the Member States, would be temporarily detached to help the national authorities monitor at-risk sections of the EU's external borders, without, however, usurping Member States' competences;
5. Notes the Commission proposal to set up under its aegis a Community operational structure to improve cooperation in connection with the protection of external borders; opposes the establishment of a separate agency to carry out border checks;
6. Notes that the establishment of a European Corps of Border Guards would necessitate a new legal basis;
7. Looks to the new Member States to use the EU funding made available to them under the Schengen facility in such a way that the Schengen standards can be met at the EU's new external borders as quickly as possible;
8. Emphasises the need for a revision of the Schengen Manual and calls on the Commission to put forward proposals to that effect as quickly as possible;
9. Firmly believes that the borders must remain open to people who are fleeing repression and applying for asylum in the Member States of the Union; insists that asylum policies should fully respect the Geneva Convention relating to the status of refugees;

Operational cooperation and exchange of information

10. Welcomes the Commission's communication to the Council and Parliament concerning an action plan for the collection and analysis of Community statistics in the field of migration (COM (2003) 179); calls for the speedy and full implementation of the action plan for statistics so that the Union is in a better position to collect, exchange and process information on illegal immigration and, in particular, the trafficking of women and children, taking account of Parliament's opinion on the communication;
11. Calls for cooperation among the Member States and between the Member States and the Commission to be improved through the use of a standardised system for the provision and analysis of data concerning illegal and legal immigration;
12. Regards it as essential, further, that cooperation and arrangements for the exchange of information with countries of origin and of transit should be consolidated and developed;
13. Supports the Commission's initiatives on asylum and immigration policy and calls on the Council to adopt these proposals and to take account of its resolutions and positions thereon;

Asylum, immigration and return policy

14. Affirms that the Member States have an exclusive right to lay down provisions governing the nature and scale of legal immigration; believes, however, that a common social integration policy is essential in an area of common policy in the social, economic and legal fields;
15. Stresses the need to maintain an overall, coherent approach to a common European policy on asylum and migration, which must include:
 - legal means for third-country nationals to enter the Union, taking into account reception capacity and enhanced cooperation with the countries of origin;
 - an EU integration policy that strikes a balance between rights and corresponding obligations of legally resident third-country nationals and the host societies, ensuring equality of treatment and non-discrimination;

Thursday 15 January 2004

— highlighting best practice in respect of immigration and integration policies as practised by the Member States;

16. Stresses that the Member States must take the necessary measures quickly to put in place a legal and effective immigration policy;

17. Endorses the Council decision that the Member States should announce legal immigration quotas which could be used to establish at EU level a joint position in negotiations on readmission agreements;

18. Believes that the overriding priority must be a voluntary return policy, while stressing that any policy development should fully respect the principle of non-refoulement and the right to seek asylum;

19. Regards it as essential that existing readmission agreements with countries of origin and of transit should be continued and that current negotiations on new agreements should be concluded swiftly;

20. Takes the view that bilateral readmission agreements between Member States and countries of origin and of transit should be replaced, where possible, by Community agreements;

21. Takes the view that the ILO network should play a role, in view of its unique knowledge and connections, in successfully returning illegal immigrants to their countries of origin and reintegrating them;

22. Takes the view that readmission agreements concluded between the EU and third states impose requirements on both sides which must be met by both sides;

23. Takes the view that the return of illegal immigrants must take place in a manner consistent with fundamental rights and the highest possible security standards, as laid down in relevant international agreements;

24. Calls on the Member States to ensure that people who have entered their territory legally do not fall outside the law as a result of poor practice on the part of their own national administrations;

25. Reiterates that, in accordance with Article 19 of the Charter of Fundamental Rights of the European Union and the European Convention on Human Rights, collective expulsions are prohibited and that no one may be removed, expelled or extradited to a State where there is a serious risk that he or she would be subjected to the death penalty, torture or other inhuman or degrading treatment or punishment;

Introduction of unforgeable documents

26. Takes note of the Commission proposals on the introduction of biometric identifiers and biometric data in the visas and residence permits of third-country nationals and as a second step in the passports for EU citizens, though this must be done while taking the utmost account of data protection requirements;

27. Calls on the Commission, in this connection, to make available as quickly as possible information on the long-term objectives, the legal and technical conditions and the financial implications of the development of the visa information system (VIS);

28. Calls on the Council, in this connection, to ensure that there is control over personal data and to improve the development and adjustment of arrangements facilitating such control over the ever-increasing amount of data which is processed;

Thursday 15 January 2004

Information campaigns by countries of origin and of transit

29. Regards it as essential that the ideas concerning illegal immigration prevailing in countries of origin and of transit should be combated by means of intensified information campaigns, particularly in audio-visual media, designed to raise awareness of the consequences of illegal immigration or the refusal of a residence permit or an asylum application;

30. Calls for support for all measures designed to raise awareness in countries of origin and of transit of the implications of illegal immigration and the activities of traffickers, in particular measures which can reach a wide audience through television broadcasts;

31. Takes the view, in that connection, that information campaigns on the scope and prospects for legal immigration as a genuine alternative to illegal immigration should also be stepped up;

32. Welcomes, in this connection, the abovementioned Commission proposal to establish a programme for financial and technical assistance to third countries in the area of migration and asylum, particularly in regard to the setting-up of information campaigns on the consequences of illegal immigration and of clandestine employment in the European Union, the establishment in the third countries concerned of an effective and preventive policy in the fight against illegal migration, including in particular the fight against trafficking in human beings and smuggling of migrants, and the dissemination of information on the possibilities of working legally in the European Union and on the procedures to be followed to this end; hopes that the Regulation can be adopted at first reading;

Financial aspects

33. Endorses the Commission's proposal to make available, over the period 2004—2006, further appropriations to cover the development of the VIS, the implementation of an integrated return programme and the establishment, under the aegis of the Commission, of an instrument of Community solidarity to protect external borders; agrees, in principle, to make the sum concerned available annually but expects to be informed in detail and involved on an annual basis, principally through the submission to Parliament of a corresponding transparent summary, as a condition of its agreement;

34. Welcomes the fact that the increasing significance of the political objective of creating an area of freedom, security and justice will also be reflected in the European Union's budget; stresses that this step was overdue; considers it absolutely essential to make further efforts in the coming years, particularly in regard to the adoption of a new financial perspective in 2007;

*
* *
*

35. Instructs its President to forward this resolution to the Council and Commission and the parliaments of the Member States.

P5_TA(2004)0030

Implementation of Directive 96/71/EC

European Parliament resolution on the implementation of Directive 96/71/EC in the Member States (COM(2003) 458 — 2003/2168(INI))

The European Parliament,

— having regard to the Commission communication (COM(2003) 458),

Thursday 15 January 2004

- having regard to Rule 163 of its Rules of Procedure,
- having regard to the report of the Committee on Employment and Social Affairs (A5-0448/2003),
- A. whereas the free movement of services in the single market has made a new form of worker mobility possible, quite distinct from the mobility of migrant workers, as it is restricted to work carried out temporarily in a Member State other than the State whose legislation governs the employment relationship,
- B. whereas there are three groups of scenarios to which the Directive applies: the posting of workers under a contract concluded between the undertaking making the posting and the party for whom the services are intended, the posting of workers to a workplace or an undertaking owned by the group and the posting of workers by a temporary employment agency which hires them out to a user undertaking operating in a Member State other than that of the agency,
- C. whereas the free movement of services will be facilitated if the Member States agree on a common nucleus of mandatory minimum protection rules for the posting of workers, which appears, on the basis of experience hitherto, to be in dire need of improvement,
- D. whereas employees in the branches concerned are often exposed to particularly dangerous working conditions,
- E. whereas Directive 96/71/EC of the European Parliament and of the Council of 16 December 1996 concerning the posting of workers in the framework of the provision of services⁽¹⁾ contains a Community catalogue of such minimum protection rules, the purpose of which is to increase legal certainty and make it possible to identify the working conditions applicable to employees carrying out work temporarily in a Member State other than the State whose legislation governs the employment relationship,
- F. whereas there exist interfaces between the Directive and national implementation,
- G. whereas negotiations on the adoption of Directive 96/71/EC lasted over five years (from the first Commission proposal on 28 June 1991 to the final adoption of the Directive on 16 December 1996),
- H. whereas the deadline for implementing the Directive in the Member States only expired on 16 December 1999,
- I. whereas Directive 96/71/EC does not apply to social security,
- J. whereas, in the light of Commission Decision 2002/260/EC of 27 March 2002 concerning the creation of a Group of Directors-General for Industrial Relations⁽²⁾, a working group of experts has already been set up to discuss problems related to the implementation and application of the Directive in the Member States,
- K. whereas the first meeting of this group of experts, with representatives from the fifteen current Member States, ten future Member States and three candidate countries took place at the end of October 2003,
- L. whereas, as has been shown from experience hitherto, the implementation, as intended by the Directive, of core labour standards in the free movement of services and the prevention of social dumping, in particular in the construction and building-services sectors, often fails to be achieved in practice;

⁽¹⁾ OJ L 18, 21.1.1997, p. 1.

⁽²⁾ OJ L 91, 6.4.2002, p. 30.

Thursday 15 January 2004

1. Considers that the Directive continues to be necessary in order to provide legal certainty for posted workers and the companies involved;
2. Considers that not only adequate judicial transposition of the Directive, but also its application on the shop-floor and the monitoring of its implementation are of fundamental importance for assessing the effectiveness of the legislation, and that the significance of this will increase in the light of Union enlargement; asks the Commission to arrange for fundamental additional research to be conducted, and for that to be done in cooperation with the social partners in the sectors most affected;
3. Considers that a number of problems affecting implementation of the Directive can also be overcome by means of better information and administrative and operational cooperation between bodies concerned (authorities, inspectorates, social partners, etc.) in the Member States; asks the Commission to submit practical proposals for strengthening such cooperation, not least with a view to combating moonlighting and other abuses;
4. Calls on the Commission to collect better and more concrete data on the effects of national implementation;
5. Calls on the Commission to consider problems resulting from the different options which are allowed by the Directive, for example:
 - a) unfair competition
 - b) different social protection
 - c) clear definition of workers' status;
6. Calls on the Commission to examine constructive legislative solutions which could lead to the prevention and elimination of unfair competition and social dumping as a consequence of the abuse of posting of workers; in addition, that a European legislative framework or other forms of provision governing liability in the case of subcontracting should be examined;
7. Urges the Council to assure that the framework decision concerning the application of the principle of mutual recognition to financial penalties will facilitate the cross-border enforcement of financial penalties via a simple and effective system;
8. Calls on the Commission to support the work of the group of experts, and for parties to wage agreements, the European Parliament, governments and parliaments of Member States and the social partners, both at European and national level and across occupational and sectoral divisions, to be involved in the activities; calls for the European Parliament (or the committee responsible) to be kept regularly informed about the progress of work;
9. Calls for a fundamental assessment — in the light of both national and European case law — of the Directive's implementation, in relation in particular to the practical interpretation of certain concepts and definitions from the Directive (such as minimum wage inclusive of overtime, minimum number of paid holidays and of work and rest periods, and workers subject to posting), as well as the Directive's implementation through collective labour agreements, and the effect thereof on relations of competition between undertakings and employees from different Member States; calls, in that connection, for consideration also to be given to the impact of solutions being urged in Member States for certain problems in relation to subcontractors and the system of ultimate liability for the payment of taxes and other contributions;
10. Calls on the Commission to conduct more in-depth research in close cooperation with the social partners, and to submit proposals to simplify and improve the existing directive with a view to obtaining better implementation and application of the Directive in practice, as well as better achieving the goals of the Directive (i.e. the dual goals of fair competition and respect for the rights of workers within EU-15 and EU-25);

Thursday 15 January 2004

11. Calls on the Commission to examine the extent to which, in line with the recommendations of the group of experts, its departments could facilitate the work of the competent authorities in the Member States by means of improved provision of information, above all in the form of websites and the creation of relevant links;
12. Calls on the Commission to consider the consequences regarding enlargement in the 15 Member States and in the acceding countries;
13. Calls on the Commission to consider the judgments of the European Court of Justice, and to incorporate the judgments handed down by national courts in the analysis;
14. Calls on the Commission to submit a second report to the Council and Parliament on the implementation of the Directive as soon as specific results obtained by the group of experts, the social partners and the Commission have been made available, and measures on improving administrative cooperation have been implemented, not later than by the end of 2004;
15. Calls on the Member States to ratify the Migrant Workers Convention (C143: 'Convention concerning Migrations in Abusive Conditions and the Promotion of Equality of Opportunity and Treatment of Migrant Workers') by the International Labour Organisation, in order to safeguard the basic human rights of all migrant workers;
16. Instructs its President to forward this resolution to the Council and Commission, the Economic and Social Committee and the Parliaments of the Member States.

P5_TA(2004)0031

Hedge funds and derivatives

European Parliament resolution on the future of hedge funds and derivatives (2003/2082 (INI))

The European Parliament,

- having regard to the implementation of the Financial Services Action Plan, in particular Directive 2003/71/EC of the European Parliament and of the Council of 4 November 2003 ⁽¹⁾ on the prospectus to be published when securities are offered to the public or admitted to trading, Directive 2003/6/EC of the European Parliament and of the Council of 28 January 2003 on insider dealing and market abuse ⁽²⁾ and the European Parliament's position of 25 September 2003 on the proposal for a European Parliament and Council directive on investment services and regulated markets ⁽³⁾,
- having regard to European Parliament and Council Directives 2001/107/EC ⁽⁴⁾ and 2001/108/EC ⁽⁵⁾ of 21 January 2002 on undertakings for collective investment in transferable securities (UCITS) and especially Article 2 of Directive 2001/108/EC and Article 19(1) of Council Directive 85/611/EEC of 20 December 1985 as amended by Directive 2001/108/EC,

⁽¹⁾ OJ L 345, 31.12.2003, p. 64.

⁽²⁾ OJ L 96, 12.4.2003, p. 16.

⁽³⁾ P5_TA(2003)0410.

⁽⁴⁾ OJ L 41, 13.2.2002, p. 20.

⁽⁵⁾ OJ L 41, 13.2.2002, p. 35.

Thursday 15 January 2004

- having regard to European Parliament and Council Directive 2001/65/EC of 27 September 2001 on the valuation rules for annual and consolidated accounts of certain types of companies as well as of banks and other financial institutions⁽¹⁾,
- having regard to European Parliament and Council Directive 2003/51/EC of 18 June 2003 on the annual and consolidated accounts of certain types of companies, banks and other financial institutions and insurance undertakings⁽²⁾,
- having regard to the capital adequacy rules and current review thereof,
- having regard to the IOSCO⁽³⁾ report on regulatory and investor protection issues arising from the participation of retail investors in (funds of) hedge funds,
- having regard to consideration of derivatives by the European Central Bank's task force on credit-risk transfer, the Basel Committee on the Global Financial System and the Joint Forum⁽⁴⁾ working group on cross-sectoral supervisory co-ordination,
- having regard to current developments in national legislation in Europe, the US and Asia covering hedge funds and derivatives,
- having regard to its resolution of 22 September 1995 on financial derivatives: their present role on capital markets, their advantages and risks⁽⁵⁾,
- having regard to Rule 163 of its Rules of Procedure,
- having regard to the report of the Committee on Economic and Monetary Affairs (A5-0476/2003),

Concerning hedge funds

- A. whereas the term 'hedge funds' covers a wide range of financial products, which might more appropriately be called 'sophisticated alternative investment vehicles' (SAIVs),
- B. whereas SAIVs provide genuine alternative means of investment that employ sophisticated techniques often in pursuit of absolute returns in all market conditions but operate with variable, sometimes very high, leverage, and can also risk substantial losses,
- C. whereas regulatory and fiscal conditions in the EU have discouraged such undertakings in EU jurisdictions, which are therefore mostly domiciled offshore;
- D. whereas a SAIVs regime could provide an appropriate regulatory home for other alternative investment funds, which do not necessarily pursue absolute returns, in areas such as property, currencies or commodities, and which are beginning to enter the European market but are currently unable to take advantage of a single EU-wide regime,

⁽¹⁾ OJ L 283, 27.10.2001, p. 28.

⁽²⁾ OJ L 178, 17.7.2003, p. 16

⁽³⁾ International Organisation for Governmental Securities Commissions.

⁽⁴⁾ A group of technical experts working under the umbrella of the Basel Committee on Banking Supervision, the International Organisation of Securities Commissions and the International Association of Insurance Supervisors.

⁽⁵⁾ OJ C269, 16.10.1995, p.217.

Thursday 15 January 2004

- E. whereas the alternative funds sector has seen significant expansion since the LTCM crisis in 1998, with rapid growth in capital injected and assets handled, an increase in the number of smaller funds, including in Europe, and frequent concentration of funds in tax and regulatory havens,
- F. whereas discriminatory taxes and regulations in some Member States have discouraged potential investment in foreign domiciled hedge funds, including those in other Member States,
- G. whereas there is increasing interest in the investing public and from institutional investors to gain access to such investment options while being reassured as to their probity and good management,
- H. whereas the innovative investment products and expanding investor choice offered by SAIVs are to be welcomed and encouraged,
- I. whereas many of the requisite investment skills are available in the EU and are often deployed in managing offshore SAIVs, and whereas the development of such skills should be encouraged,
- J. whereas some Member States are considering special regulatory regimes to encourage such undertakings to set up under their jurisdiction and consistency between such national regimes leading potentially to a common EU passport is desirable,
- K. whereas some hedge funds may be directly accessible anyway to retail investors without any specific protection, via European market listings or third country jurisdictions or indirectly via funds of funds or structured notes,
- L. whereas success in attracting SAIVs onshore depends on establishing a lighter regulatory regime than for conventional UCITS, and whereas any such regime should concentrate on provision of sufficient and intelligible information to the investor rather than on over-prescriptive rules and regulations,
- M. whereas there is a need to inform less sophisticated investors about the various styles and risks of this type of investment and, in particular, to make them fully aware that this type of investment should be clearly differentiated from conventional UCITS,
- N. whereas funds of funds provide diversified entry to the sector, but in due course direct investment into the underlying funds should be permissible also,
- O. whereas there is risk of systemic damage to the global financial system if these forms of investment proliferate without quantification or control,
- P. whereas recommendations were already formulated in 2001 by the Financial Stability Forum concerning the need for transparency in connection with, and regulation of, hedge funds and the need for financial regulation in offshore centres, and whereas implementation of these recommendations in the Member States has been uneven, but, overall, inadequate,
- Q. whereas with the near completion of the Financial Services Action Plan it is appropriate for the Commission to turn its attention to what would be a suitable legislative accommodation for hedge funds and other sophisticated alternative investment vehicles which currently have no European regulatory home,

Thursday 15 January 2004

Concerning derivatives

- R. whereas derivatives are increasingly used in investment products available to the general public and are therefore becoming a relevant consideration in all the directives cited above,
- S. whereas, over the last 20 years, derivatives have played a vital role in financial innovation, facilitating the creation of a range of new products (including many low risk products) and widening investor choice,
- T. whereas derivatives can be a means of limiting risk as well as of speculative risk-taking and can provide a macroeconomic benefit by dispersing risk to those best able to accept it,
- U. whereas commodity derivatives can play a vital role in hedging risk and ensuring efficient utilisation of resources in markets such as energy and agriculture, and whereas their importance can be expected to increase with further liberalisation of energy and agriculture markets,
- V. whereas it is imperative that such risk be properly monitored and controlled both as regards the risk to individuals and systemic risk to the financial system,
- W. whereas it is important to ensure that the regulation of derivatives is proportionate to the risks they pose for individual investors and for overall financial stability, and whereas it is vital that a wide ranging and effective cost-benefit analysis is carried out before any new laws or rules are added to existing regulation of these financial products,
- X. whereas the proliferation of credit derivatives raises issues in terms of tracking global levels of risk exposure,
- Y. whereas those OTC ('over-the-counter') derivatives which are unregulated could build up into a dangerous overhang in financial markets,
- Z. whereas the validity of derivatives depends on the certainty of full settlement at maturity and therefore on the credit standing and ability of ultimate counterparties to meet obligations,
- AA. whereas sophisticated types of derivatives may be illiquid and therefore holders may have difficulties closing or valuing positions, especially in difficult market conditions,
- AB. whereas derivatives are becoming a common mechanism in the financial management of corporations, investment companies and smaller banks and it is necessary for those users to have appropriate competence in controlling risk exposure,
- AC. whereas knowledge and competence even among regulatory authorities is often inadequate in this fast moving and ever changing area,
- AD. whereas financial derivatives can be marketed to retail investors in various forms, such as listed products and spread betting, provided they are under the scope of national financial regulators,

Thursday 15 January 2004

Concerning hedge funds

1. Reminds the Commission that pursuant to Article 2 of Directive 2001/108/EC it is requested to prepare a comprehensive report on this area of investment practice by 13 February 2005 and suggests that this should be brought forward much sooner, given the potential for systemic risk as well as the increased interest in the general investor community;

2. Calls on the Commission to introduce — given the fact that many hedge funds operate offshore and are not subject to Community regulation — Community legislation in order to make the lending by EU financial institutions to offshore hedge funds more transparent;

3. Feels it is opportune to facilitate access to SAIVs for the moderately affluent investor and, in due course, the retail investor, when the different regulatory authorities at European level recommend it is appropriate, and that regulated funds of hedge funds could play a vital role in this gradual process;

4. Considers it timely to develop a light handed and appropriate EU-wide regulatory regime for SAIVs which will help to attract them to locate in the EU and provide the benefits of a common European passport by means of mutual recognition;

5. Points out that a regulatory regime for SAIVs must be sufficiently light-handed so as not to negate their role as an alternative investment medium of choice or impede the freedom of investment managers (inter alia) to:

- employ innovative and even exotic techniques and instruments,
- take strong positions, including by the use of shorting, leverage and derivatives,
- be remunerated relative to their performance,

provided that their investment and operating methods are disclosed in appropriate terms to those who invest with them directly or indirectly;

6. Considers that the regulator must verify and be satisfied that the promoters, directors and managers of a SAIV are fit and proper persons to be entrusted with responsibility for the savings and investment funds of third parties and are adequately expert and well-informed in the investment techniques and instruments employed in that undertaking, that the risks inherent in any SAIV are clearly advertised and communicated to investors, that the advertised style of investment and level of risk are not exceeded and that risk is properly monitored and controlled;

7. Stresses that the SAIVs regime should concentrate most particularly on the distribution and sales methods employed, so as to avoid investment in them by persons for whom they are inappropriate;

8. Considers that investment funds should be able to elect to be regulated under the UCITS or the SAIVs regime and be bound by that regime's requirements;

9. Urges the investment industry and national regulators to sponsor campaigns to educate potential investors about SAIVs, their characteristics and their risks;

10. Considers it most desirable that distributors should be specifically authorised to distribute SAIVs and that such authorisation should depend on their probity and level of knowledge regarding SAIV products and be renewable on a regular schedule;

Thursday 15 January 2004

11. Considers it essential to provide individuals investing in SAIVs with a clear and simple risk description and warning to be acknowledged by them as representing their understanding of the risks involved;
12. Encourages the industry to develop a self-regulatory code of conduct that encompasses aspects not expressly covered in the light-handed formal regime and in particular regarding appropriate sales and distribution methods;
13. Accepts that a minimum limit might be imposed on investments into such funds while public understanding is poor but that this should be progressively reduced and ultimately eliminated as awareness improves;
14. Suggests that it should be permitted for SAIVs which have long term investment horizons to restrict the periodicity of windows for sales, redemptions, dealings and net asset valuations;
15. Considers that SAIVs should be required to run rigorous daily risk controls so as to ensure that they stay within their advertised risk parameters;
16. Urges the industry, in consultation with the regulatory authorities, to develop easily understood and consistent risk measurements or indices, which should be published regularly to indicate to investors that advertised risk limits are being observed;
17. Urges that a Community regulatory regime for SAIVs come within the Lamfalussy Process and that the detailed requirements be decided and regularly reviewed at level 2 but subject to Parliamentary scrutiny and call back;
18. Calls on the Commission to consider whether a regime for SAIVs should be enacted as a distinct part of a revised UCITS directive or in a separate directive and considers that any such regime should cover hedge funds and other alternative investment funds;
19. Considers that the world's supervisory authorities should develop an effective means, possibly including a centralised credit register at the Bank for International Settlements as proposed by the Financial Stability Forum of April 2000, to monitor and control the extent of credit, management and operational risk which this sector could bring to the world's financial system and urges the Commission to instigate such a mechanism, which should also include the more effective enforcement of existing provisions;
20. Calls on the Commission in conjunction with national regulators to investigate the practice (predominantly by American arbitrage hedge funds) to use time zone differences and the influence of Wall Street on other markets to profit by market timing Asian and European mutual funds, to determine whether this significantly harms long-term investors in those funds and whether any steps need to be taken to rectify the situation;
21. Expects the Commission to take action against Member States which, by differential taxation, additional regulatory requirements or other means, discriminate against SAIVs domiciled in other Member States;
22. Urges the Commission to consult with the legislative and regulatory authorities in the USA, Japan, Switzerland and other relevant jurisdictions with the aim of developing as consistent an approach as possible internationally in this area of investment and to report on the implementation in the different Member

Thursday 15 January 2004

States and in third countries of the recommendations of the Financial Stability Forum in particular as regards hedge funds and the regulation of offshore centres, and to indicate what steps it intends to take with a view to the introduction of essential regulations at the international level;

Concerning derivatives

23. Stresses that derivatives are a completely different area, and therefore need to be subject to different regulations than hedge funds;

24. Calls on the Commission to present the reports asked for in the abovementioned European Parliament resolution of 22 September 1995 on financial derivatives;

25. Calls on the Commission to pay particular attention to derivatives when drafting new or amended directives concerned with financial services and also at the implementing stage under the Lamfalussy Process; stresses that such financial instruments, whilst useful, are also sometimes high risk, and can increase volatility and threaten financial stability;

26. Calls on the Commission in the interests of coherence in securities law to draw together the various relevant items of EU legislation in order to facilitate comprehensive legislative treatment (*inter alia*) of derivatives;

27. Calls on the Commission to instigate, along with national and relevant international institutions, a means of measuring and monitoring global exposure in derivatives and, in particular, the accumulated credit risk (including settlement risk) of credit derivatives; stresses that only those with appropriate capital cover may deal in derivatives, in order that, in periods of crisis, losses do not have to be borne by taxpayers;

28. Recognises that significant regulation and regulatory structures already exist to cover derivatives. Notes the importance of ensuring that reporting requirements have adequate product coverage and of ensuring all relevant regulators have the resources and expertise to assess this data effectively;

29. Notes the legal uncertainty which makes the use of derivatives in some Member States very difficult and urges policy-makers to come up with a solution to this problem;

30. Asks the Commission to consider whether further steps need to be taken in the context of Basel II to provide adequate reserves in the banking system and in individual banks to meet any likely demands on liquidity by exposure to derivatives;

31. Asks the Commission to further consider whether, in the context of Basel II, the off-loading of credit risks by banks to non-banks should allow a reduction in capital requirements and, if so, how the exposure in non-banks (including in particular in offshore hedge funds) might be assessed, monitored and controlled;

32. Urges accountancy and investment management associations to require a high level of understanding of derivatives, their mechanisms and risks, as part of their qualification criteria;

Thursday 15 January 2004

33. Asks the International Accounting Standards Board to work with relevant market practitioners to develop as soon as possible appropriate standards regarding the definition, quantification and accounting of derivatives and derivative positions in company accounts, and underlines the importance of finding a prudentially sound compromise which is as much as possible compatible with market practice;
34. Urges that derivatives exposure (including timing gaps), which give a fair and consistent indication of a company's true condition, should be a required disclosure in the accounts of European companies;
35. Considers that derivative valuations should take into account, by way of contingency reserve, the additional risks which could pertain in difficult market conditions and relative to the credit standing of counterparties;
36. Requires the Commission and the Member States, via the Lamfalussy Process, to co-ordinate their approach to derivatives that are offered on European markets whilst respecting the need to maintain flexibility for different derivative products and markets;
37. Calls on the Commission to ensure that European derivatives exchanges have fair and equal access to foreign market places and considers that recent protectionist moves by American competitors are unacceptable;

*
* *

38. Instructs its President to forward this resolution to the Council, the Commission, the Accession State governments, the regulatory authorities in all Member and Accession States, the European Economic Area, the governments of Switzerland, Japan and the USA and the International Accounting Standards Board.

P5_TA(2004)0032

EU aid to Iran following the earthquake

European Parliament resolution on EU aid to Iran following the earthquake

The European Parliament,

- having regard to its resolution of 13 December 2001 ⁽¹⁾ on EU relations with the Islamic Republic of Iran,
- having regard to its previous resolutions on Iran,
- having regard to the earthquake that devastated the region of Kerman,
- having regard to the statement of the Secretary-General of the United Nations of 26 December 2003,
- having regard to the message from the EU High Representative for the CFSP of 27 December 2003,

⁽¹⁾ OJ C 177 E, 25.7.2002, p. 296.

Thursday 15 January 2004

- having regard to the Humanitarian Aid Office (ECHO) Aid Strategy 2004,
 - having regard to the ECHO global index for humanitarian needs assessment (GINA) 2004,
 - having regard to Iran's recent signature of the Additional Protocol to the 1986 Non-Proliferation Treaty (NPT), which constitutes an important step towards Iran's full compliance with its international obligations under the Non-Proliferation Treaty regime,
 - having regard to the decision of the Iranian Guardian Council to disqualify more than 2 000 candidates, including more than 80 sitting parliamentarians,
 - having regard to the declaration by EU High Representative Javier Solana that the electoral process in Iran is very important for the EU and that the EU wishes it to be clear and transparent,
 - having regard to the sit-in protest for a second consecutive day by reformist Members of Parliament at the legislature,
 - having regard to the intention of a large number of governors and government members to resign,
 - having regard to Rule 37(4) of its Rules of Procedure,
- A. whereas on the morning of 26 December 2003 a major earthquake measuring 6.6 on the Richter Scale struck southern Iran's Kerman Province, killing some 30 000 people, injuring approximately 30 000 and making 45 000 to 75 000 homeless,
- B. whereas approximately 1 850 children have been registered as unaccompanied and homeless, a number that is expected to increase, and another 5 000 have lost one parent,
- C. whereas in the city of Bam more than 85 per cent of the buildings were completely destroyed, including all schools in and around the town, and whereas in the surrounding villages more than 18 000 houses across 250 villages were completely destroyed and will have to be rebuilt,
- D. whereas in Bam the local administration and the communication infrastructure were destroyed, while at the same time the electricity and water supplies and most health services were completely disrupted,
- E. whereas the Government of the Islamic Republic of Iran has shown its commitment to the relief operations and has received offers for assistance, e.g. from the European Union, the United States and Israel, but has not accepted every offer,
- F. whereas the Commission allocated EUR 2.3 million on 27 December 2003 through ECHO to address the most urgent humanitarian needs and is examining further requests for aid, which will be delivered on the basis of the needs identified,
- G. whereas the UN Office for the Coordination of Humanitarian Affairs (OCHA) has recorded that the financial and in-kind contributions as of 6 January 2004 amount to USD 80.3 million, while initial estimates indicate that the long-term recovery could cost anywhere between USD 700 million and 1 000 million,

Thursday 15 January 2004

- H. whereas the United States Treasury Department, under the instructions of the United States President, has eased restrictions to assist humanitarian relief activities for earthquake victims in Iran, and whereas on 7 January 2004 the total sum of United States Government assistance was USD 4 797 600,
- I. whereas the UN and the national authorities launched a Flash Appeal on 8 January 2004 for USD 31.3 million to address the urgent needs over the next three months, aiming to smooth the transition from emergency relief to recovery initiatives,
- J. whereas the International Federation of Red Cross and Red Crescent Societies (IFRC) announced on 8 January 2004 that it was appealing for EUR 33 119 207 in order to avert another humanitarian crisis in Bam,
- K. whereas the EU has been very active in promoting the signature by Iran of the Additional Protocol to the NPT,
- L. restating its continued support for the process of reforms in Iran and reaffirming its willingness to strengthen political and economic relations between the EU and Iran,
- M. insisting on the necessity of a comprehensive human rights dialogue between the EU and Iran, but regretting that this dialogue did not go beyond a mainly academic exchange of views,
- N. concerned about the deterioration of the human rights situation in Iran, where many people are now in jail for having made use of their right to freedom of expression,
- O. whereas the decision by the Iranian Guardian Council to exclude a quarter of the candidates from the upcoming elections calls into question the whole electoral process,
1. Welcomes the Commission's decision to allocate EUR 2.3 million to address the most urgent humanitarian needs;
2. Welcomes the support given by the international community to the relief efforts for the victims of the earthquake and the decision of the United States Treasury Department, under the instructions of the United States President, to ease restrictions to assist humanitarian relief activities for earthquake victims in Iran;
3. Calls on the Commission, the Member States and the rest of the international community to provide more aid to help the relief operations in and around Bam and contribute to the transition from emergency relief to recovery initiatives;
4. Calls on the Iranian Government to consider methods to improve the earthquake security of buildings in Iran, and calls on the Commission to offer its support if requested;
5. Calls on the President of the Commission and the Irish Presidency to visit Bam as soon as possible in order to express their solidarity with the victims of the earthquake;
6. Welcomes also the intervention of the Italian Presidency, which immediately sent a number of C-130 air force transport planes with civil defence experts and medical teams as well as the action of other Member States, which rapidly provided assistance to the disaster region;

Thursday 15 January 2004

7. Welcomes the signature by Iran of the Additional Protocol to the Non-Proliferation Treaty and considers that this should help in establishing the international community's confidence in Iran's assurance about the peaceful nature of its nuclear programme and its commitment to non-proliferation;
8. Considers it now essential that rapid ratification and implementation pending the entry into force of the Additional Protocol provide full transparency concerning the Iranian nuclear programme; considers that the ratification of the Additional Protocol will provide the IAEA with new means to verify independently the declarations made by Iran about its nuclear material and activities, such as unrestricted access to all the reported nuclear facilities and to all the necessary information;
9. Is confident that Iran's assurance about the peaceful nature of its nuclear programme will pave the way to the country's improved access to modern technology and supplies in a range of areas and to cooperation with Iran in promoting security and stability in the region, including the establishment of a zone free of weapons of mass destruction in the Middle East, in accordance with the objectives of the United Nations;
10. Calls on the Council and the Commission to carry out an evaluation of the first three sessions of the EU/Iran human rights dialogue on the basis of the benchmarks defined in the EU guidelines on human rights dialogue of 13 December 2001 in order to assess the progress of Iran in the field of human rights, and calls for its involvement in the human rights dialogue to be stepped up;
11. Calls on the Council to envisage the possibility of submitting a draft resolution on the human rights situation in Iran to the 60th session of the UN Commission on Human Rights, which will take place in Geneva from 15 March to 24 April 2004;
12. Expresses its deep preoccupation about the decision of the Iranian Guardian Council, which endangers the recent moves towards a more democratic society, and calls for an immediate revision of this decision in order to enable the Iranian population to make a truly democratic choice;
13. Underlines that the solidarity shown by the international community is also an expression of support for those in Iran who are committed to keeping the country on the path towards further democratisation; warns that the decision to ban many reformist candidates from standing for parliament, if it were not reversed in due time before the elections, would not leave EU-Iran relations unaffected;
14. Instructs its President to forward this resolution to the Council, the Commission, the government and parliament of the Islamic Republic of Iran and the Secretary-General of the United Nations.

P5_TA(2004)0033

Zimbabwe

European Parliament resolution on Zimbabwe

The European Parliament,

- having regard to its previous resolutions on the situation in Zimbabwe,
- having regard to Rule 50(5) of the Rules of Procedure,

Thursday 15 January 2004

- A. whereas the Zimbabwe African National Union Patriotic Front (ZANU-PF) regime is now an appalling example of relentless oppression of an impoverished and starving people, the systematic subversion of judicial, press and individual freedom, and the destruction of a once successful economy,
- B. whereas the leader of the opposition — the Movement for Democratic Change (MDC) — Morgan Tsvangirai, has been put on trial on spurious charges of treason, designed to damage the MDC,
- C. whereas Zimbabwe's dire economic situation has worsened, with GDP falling by some 40 % over the past four years, annual inflation now reaching 620 % and scheduled to pass 1 000 % during 2004, unemployment at 70 %, and some 6.5 million people in need of food aid, including large numbers in need in the previously relatively well-off urban areas,
- D. whereas the spread of HIV/AIDS continues to cause great human suffering and exacerbate economic difficulties, with a prevalence rate of 33 % in Zimbabwe's adult population, and whereas the World Health Organisation recently estimated that 4 000 Zimbabweans are dying per week from this disease,
- E. whereas repression through the Public Order and Security Act and the Access to Information and Protection of Privacy Act reached alarming levels during the course of 2003, and access to justice and observance of human rights deteriorated at an accelerated rate,
- F. whereas the consequences of Zimbabwe's worsening humanitarian disaster have been intensified by a shortfall, due in part to donors' concern over allegations of politicisation of food aid delivered via Government channels, in the World Food Programme's appeal, necessitating a halving of the available cereal ration for 2.6 million people,
- G. whereas many people, mainly children, are reported to have died of malnutrition and other hunger-related causes in the Bulawayo area alone between August and December 2003,
- H. whereas ZANU-PF's disastrous 'land reform' programme has had devastating consequences for the people of Zimbabwe, dismantling the commercial agriculture sector without replacing it with any other way of producing food efficiently and effectively,
- I. whereas Zimbabwe's commercial beef herd has been reduced by 90 % since the onset of the 'land reform' programme to fewer than 120 000 from 1.4 million three years ago, with the whole gene pool so well adapted to local conditions threatened with extinction,
- J. whereas the Daily News, Zimbabwe's only independent daily newspaper, continues to be closed in spite of court decisions in December 2003 that overturned its forced shut-down and ordered the police to stop interfering with the newspaper's operations; and the editor, news editor and chief reporter of the weekly Zimbabwe Independent were arrested on 10 January 2004 under the Access to Information and Protection of Privacy Act,
- K. whereas the Zimbabwean Government is planning to introduce new measures to police all broadcast and internet-based information circulation,

Thursday 15 January 2004

- L. whereas Zimbabwe is losing skilled and professional people to other countries because of the economic crisis and whereas this brain drain will have a serious negative impact on the development of the country,
- M. whereas on 7 December 2003, the Commonwealth Heads of Government meeting in Abuja agreed to renew the suspension of Zimbabwe and to establish a committee to make recommendations on the way forward on the matter,
- N. whereas on 11 December 2003, Zimbabwe terminated its membership of the Commonwealth,
- O. whereas the continuing policy of 'quiet diplomacy' by southern African leaders has failed to produce any concrete results,
- P. whereas African nations have allowed their relations with the countries of the EU to be held hostage by the ZANU-PF regime, and whereas it is therefore in the interests of the African Union and the Southern African Development Community (SADC) to take urgent action, along with the rest of the international community, to bring about rapid change for the better in Zimbabwe,
- Q. whereas the EU Common Position of 18 February 2002, renewed on 18 February 2003, introduced targeted measures against the ZANU-PF regime and requires further renewal on 20 February 2004,
- R. whereas the European Parliament has consistently called for the widening and rigorous enforcement of targeted sanctions and the introduction of additional measures, to make international action against the ZANU-PF regime more effective,
- S. whereas the cricket teams of the UK and the Netherlands did not play matches in Zimbabwe during the 2003 World Cup,
- T. whereas the 7th Session of the EU-ACP Joint Parliamentary Assembly (JPA) will take place in Addis Ababa on 16—19 February 2004,
- U. whereas an EU—African Union Foreign Ministerial Troika meeting is scheduled to take place on 1 April 2004,
1. Calls on the Council to adopt a more active and urgent approach to the Zimbabwe disaster, to include renewal of targeted sanctions, their expansion to include the rescinding of rights of residence in the EU of those subject to a ban and the prevention of their family members accessing employment and educational institutions in the EU, the curtailment of high-profile economic links with Zimbabwe that give prestige to the regime, and the identification and imposition of measures against those providing financial backing for the anti-democratic activities of the ZANU-PF regime;
 2. Insists that the charges against Morgan Tsvangirai are spurious and unsubstantiated, and that the systematic violence and intimidation against opponents of the ZANU-PF regime must cease;
 3. Calls for the vigorous enforcement of all EU sanctions against the ZANU-PF regime and for a more robust commitment by the EU, ACP partners and the wider international community to the enforcement of the sanctions, including the call by MDC President Morgan Tsvangirai for the stringent application of the visa ban;

Thursday 15 January 2004

4. Congratulates the Commonwealth for its principled stance in maintaining Zimbabwe's suspension; calls for those African countries which have stood their ground against tyranny and chaos in Zimbabwe to be acknowledged and supported;
5. Regrets the failure of the EU Council, in whatever form, to make any effective impact on the policies of Zimbabwe's neighbours, whether in its dealings with SADC or with individual countries;
6. Strongly criticises the failure of some southern African governments to exert any pressure on the ZANU-PF regime, which has been so abusive of its people and effectively disrupted relations between Africa and the wider international community; calls upon South Africa, in particular, to act effectively so as to bring about change in Zimbabwe;
7. Insists that African countries and the African Union demonstrate their genuine commitment to the principles of NEPAD — namely good governance, democracy, respect for human rights and the rule of law;
8. Urges Zimbabwe's neighbours to seize the opportunity afforded by the forthcoming EU-ACP and EU—African Union meetings to revitalise their relationship with the EU by condemning the human rights abuses of the ZANU-PF regime and other regimes guilty of violating citizens' basic rights so that issues of wider concern in Africa, such as good governance, economic development, HIV/AIDS, law and order and fair trade, can be addressed;
9. Urges senior government figures and public servants of goodwill in Zimbabwe to insist that Mugabe and his closest associates step down from office in order to spare their countrymen further suffering and expedite Zimbabwe's rehabilitation into the international community;
10. Calls for the urgent opening of formal talks between the Government of Zimbabwe and opposition representatives with a view to establishing a respectable interim coalition of national unity prior to a representative government being freely and fairly chosen in properly managed and internationally monitored elections;
11. Welcomes interventions from church leaders such as Archbishop Desmond Tutu's statement following the Commonwealth Heads of Government meeting in Nigeria, but calls upon eminent personalities in southern Africa, who in their struggle for freedom fought against everything that Mugabe now stands for, to use their influence to bring about change for the better in Zimbabwe;
12. Calls upon all representatives of EU Member States to refuse to meet members of the ZANU-PF regime and others banned from travelling to the EU, regardless of location;
13. Calls upon the sporting federations of EU Member States which are due to play matches in Zimbabwe this year to refuse to play sport in that country at this time;
14. Calls upon the international donor community, as a matter of great urgency, to provide adequate funding to meet the requirements of the UN World Food Programme, working through international agencies, to alleviate the humanitarian suffering in Zimbabwe caused by Mugabe's actions;

Thursday 15 January 2004

15. Calls upon those EU Member States in the UN Security Council to galvanise the international community into coordinated and effective action to resolve the appalling situation in Zimbabwe;

16. Instructs its President to forward this resolution to the Commission, the Council, the governments of the Member States, the EU-ACP Council, the Government and Parliament of Zimbabwe, the Government and Parliament of South Africa, the UN Secretary-General, the Presidents of the Commission and Council of the African Union, the Secretary-General of SADC, the Secretary-General of the Commonwealth, former South African President Nelson Mandela, Archbishop Desmond Tutu and appropriate presidents of sporting federations.

P5_TA(2004)0034

Burundi

European Parliament resolution on the situation in Burundi

The European Parliament,

- having regard to Rule 50(5) of its Rules of Procedure,
 - having regard to its previous resolutions on Burundi, in particular its resolution of 23 October 2003 on human rights violations and failure to show respect for the rule of law in Burundi⁽¹⁾,
 - having regard to the declaration issued by the EU Presidency on 19 November 2003,
- A. shocked by the brutal murder of Monsignor Michael Courtney, the Apostolic Nuncio in Burundi, in a road ambush in Bururi province on 29 December 2003,
- B. whereas, although no one has yet claimed responsibility for this murder, suspicions point to the National Liberation Forces (FLN), the only rebel movement which has not laid down its arms,
- C. whereas this movement has issued death threats against the Archbishop of Bujumbura, who was accusing them of the murder of the Apostolic Nuncio,
- D. whereas this movement denies responsibility for the murder, has lifted its ultimatum calling on the Archbishop of Bujumbura to leave the country, and, for the first time, has stated its willingness to meet the President of the Republic with a view to opening negotiations,
- E. whereas Monsignor Courtney had been helping the peace process in Burundi in a quiet and effective manner, after many years of dedicated service to the Holy See in many difficult and challenging postings, and had been instrumental in persuading some rebel groups to give up their armed struggle,
- F. whereas the peace process had recently been gathering momentum, with the signing on 16 November 2003 of the peace agreement between the Transitional Government of Burundi and the Forces for the Defence of Democracy (FDD) movement led by Pierre Nkurunziza, which follows the Pretoria Protocol signed on 8 October 2003 by the CNDD-FDD movement, and the subsequent agreements of 2 November 2003 signed by the FDD,

⁽¹⁾ P5_TA(2003)0466.

Thursday 15 January 2004

- G. regretting, however, that fighting still persists in several provinces, especially in rural Bujumbura, and deploring, in particular, the killing of five people on 5 January 2004 in the eastern Bujumbura district of Gihosha,
- H. whereas attention must be drawn to the remarks made by the UN Secretary-General to the effect that Burundians must experience an improvement in their living conditions or the budding peace process may be jeopardised,
- I. seriously concerned at the worsening of the human rights situation, which has prompted Oxfam to suspend its operations in the country, despite the desperate needs to be met,
1. Strongly condemns the brutal murder of Monsignor Courtney, who, as a diplomat, was entitled to special protection by the authorities, and calls for a full and independent investigation in order to identify and bring to justice those responsible; extends its condolences to his family and friends and to the Holy See;
 2. Recognises and appreciates the quiet and effective ways in which Monsignor Courtney had been helping the peace process and alleviating the suffering of the people in Burundi;
 3. Calls on all parties to move swiftly to implement the recent peace agreements and to observe a complete ceasefire during the negotiations;
 4. Calls on Mr Agathon Rwasa's FNL movement to seize the opportunity presented by the forthcoming talks with President Ndayizeye to abandon the military option and join the peace process, and asks the Burundian authorities to do their utmost to foster negotiations with that movement;
 5. Calls on the African Union and its Member States to exert every possible pressure on the FLN with a view to bringing it to the negotiating table with the genuine aim of seeking a peaceful political settlement;
 6. Calls on the UN Security Council to consider the rapid constitution and deployment of a UN peace-keeping operation, to support the peace process at this critical moment and to strengthen and complement the African Union peace-keeping mission already deployed; also calls on the Council and the Commission to increase their contribution to Burundi's peace and reconstruction process;
 7. Condemns the ongoing hostilities and human rights abuses, in particular as they affect women and children, and reaffirms that there cannot be any impunity for war crimes, in particular those committed against civilians;
 8. Calls, to this end, on the Government of Burundi to implement the judicial reforms provided for in the Arusha Agreements, to end impunity and to proceed with the ratification of the Statute of the International Criminal Court;
 9. Calls on all States participating at the donor conference for Burundi to make sure that there are sufficient funds for human rights promotion and protection;
 10. Believes that initiatives by the international community which are focused on obtaining a political settlement will be sustainable only if fundamental human rights issues are addressed at every stage of the peace and democratisation process;
 11. Calls on all parties to allow the civilian population unhindered access to humanitarian aid and to encourage and facilitate the work of NGOs, especially in the health sector;

Thursday 15 January 2004

12. Instructs its President to forward this resolution to the Council, the Commission, the African Union Commission and Executive Council and the governments of Burundi, Tanzania, South Africa and the Holy See.

P5_TA(2004)0035

Haiti

European Parliament resolution on Haiti

The European Parliament,

- having regard to the report of the UN Secretary-General's special envoy on the human rights situation in Haiti,
- having regard to the 2003 EU Presidency's declarations on Haiti,
- having regard to the renewal in January 2003 of the partial suspension of EU cooperation with Haiti,
- having regard to Rule 50(5) of its Rules of Procedure,
- A. whereas Haiti is now celebrating the 200th anniversary of its hard-won independence, symbolising victory over oppression and slavery,
- B. whereas violent clashes have marred the 200th anniversary of Haiti's independence and several people have been killed in various anti-government protests since September 2003,
- C. whereas Haiti is the poorest country in the Americas, and 80 % of its population live below the poverty line, with the lowest life expectancy, literacy and health indicators of its region, and whereas the political, social, and economic crises of Haiti have worsened since 2000,
- D. whereas, according to the UN and the FAO, half of the Haitian population suffers from malnutrition and many also from difficult access to clean water, and whereas exports of traditional products have diminished while drug trafficking and corruption are flourishing,
- E. whereas harvests are regularly destroyed by floods which are aggravated by deforestation,
- F. whereas the UNDP's emergency humanitarian appeal only succeeded in securing half of the aid hoped for,
- G. whereas the recently formed Haitian National Police has been unable to enforce the rule of law and has been severely criticised by human rights groups for its abuse of protesters demonstrating against President Aristide's rule and for failing to protect them from machete- and gun-wielding government supporters,
- H. whereas the opposition parties, judging the parliamentary elections of May 2000 to have been of doubtful validity, chose to boycott the presidential elections of October 2000, and have called for general strikes in protest against President Aristide's regime and are calling for the President to step

Thursday 15 January 2004

down as a condition for participation in legislative elections; whereas President Aristide has vowed to serve out his term, which ends in 2006,

- I. whereas the legislative elections pledged by President Aristide and scheduled for 2004 are currently blocked by a political disagreement on appointments to the Electoral Council,
 - J. whereas the opposition does not want elections until there are guarantees against the violence provoked by armed bands in the service of the government, since there can be no democratic elections unless the police forces ensure protection to all rather than be at the sole service of the government in power,
 - K. whereas all the political parties have been incapable of settling the dispute over the electoral process; whereas this failure is continuing to paralyse the country, rendering it incapable of tackling the multiple problems facing the Haitian people,
 - L. whereas Haiti will only achieve the political stability needed for its economic and social development and the present crisis will only be resolved, if democratic principles and human rights are recognised as vital factors,
 - M. whereas CARICOM is attempting to mediate in the political dispute between the Haitian government and opposition, despite the latter's reservations, and the UN Secretary-General, Kofi Annan, has also pledged to play a role in resolving the crisis,
 - N. seriously concerned at the human rights situation, which has worsened since 2000, while threats against and intimidation of opposition politicians and media have increased,
 - O. whereas the EU has suspended cooperation with Haiti, after consultations in accordance with Article 96 of the Cotonou Agreement, but, at the same time, has increased humanitarian aid,
1. Condemns all the violence and the political assassinations from which Haiti has been suffering for years, and calls on all parties to respect human rights;
 2. Calls on the Haitian government, the opposition and civil society to engage in a constructive dialogue, possibly in the framework of a 'National Conference', to pave the way for legislative elections;
 3. Calls on the Council and the Commission to use all political and diplomatic means to encourage the Haitian authorities, opposition parties and civil society to facilitate this dialogue;
 4. Recommends the appointment of mediators by the UN in the interests of a sustainable political agreement, and urges the Haitian government and opposition to proceed to the constitution of the provisional Electoral Council;
 5. Deplores the failure of the police and judiciary to confront the ruling-party activists responsible for political violence;
 6. Calls for an independent and transparent inquiry into all the allegations of breaches of human rights by the police, the security forces, political activists and the militias;

Thursday 15 January 2004

7. Calls on the Haitian government to dissolve the militias and armed bands which are sowing terror, to put an end to corruption and to act against drug trafficking;
8. Calls on all the specialist international agencies to step up their fight against drugs trafficking via Haiti;
9. Calls on the police and government authorities to publicly undertake to respect the right to peaceful assembly and association and to put an end to the killings, torture, intimidation and other grave human rights violations;
10. Calls for the restoration of the UN mission working with the Haitian police force, the disbandment of the so-called 'special brigades' (as requested by the UN Special Envoy), and the disarming of the militias;
11. Calls on the Commission to step up its humanitarian and health aid to Haiti and to provide specific assistance to the victims of violence;
12. Calls for the establishment of cooperation, in particular in the education and health sectors, as soon as the conditions of the Cotonou Agreement have been fulfilled;
13. Instructs its President to forward this resolution to the Council, the Commission, the ACP Council, the Co-Presidents of the ACP-EU Joint Parliamentary Assembly, the UN Secretary-General, the Organisation of American States, CARICOM and the Haitian authorities.

P5_TA(2004)0036

Copyright

European Parliament resolution on a Community framework for collective management societies in the field of copyright and neighbouring rights (2002/2274(INI))

The European Parliament,

- having regard to the Treaty establishing the European Community, in particular Articles 95 and 151,
- having regard to Articles 17, 22 and 41 of the Charter of Fundamental Rights of the European Union,
- having regard to Article III-181 of the draft Treaty establishing a Constitution for Europe,
- having regard to its resolution of 15 May 2003 on the protection of audio-visual performers ⁽¹⁾,
- having regard to the various international agreements in force in this field, namely the Rome Convention of 26 October 1961 for the Protection of performers, producers of phonograms and broadcasting organisations, the Berne Convention of 24 July 1971 for the protection of literary and artistic works, the Geneva Convention of 29 October 1971 for the Protection of producers of phonograms against unauthorised duplication of their phonograms, the WIPO Copyright Treaty of 20 December 1996, the WIPO Performances and phonograms Treaty of 20 December 1996, and the WTO Agreement on Trade-Related Aspects of Intellectual Property Rights (TRIPS) of 15 April 1994,

⁽¹⁾ P5_TA(2003)0221.

Thursday 15 January 2004

- having regard to the body of EC law (*acquis communautaire*) in this area, namely Directive 91/250/EEC ⁽¹⁾ on the legal protection of computer programs; Directive 92/100/EEC ⁽²⁾ on rental right and lending right and certain rights related to copyright in the field of intellectual property; Directive 93/83/EEC ⁽³⁾ on the coordination of certain rules concerning copyright and rights related to copyright applicable to satellite broadcasting and cable retransmission; Directive 93/98/EEC ⁽⁴⁾ on harmonising the term of protection of copyright and certain related rights; Directive 96/9/EC ⁽⁵⁾ on the legal protection of databases; Directive 2001/29/EC ⁽⁶⁾ on the harmonisation of certain aspects of copyright and related rights in the information society; Directive 2001/84/EC ⁽⁷⁾ on the resale right for the benefit of the author of an original work of art,
- having regard to Rule 163 of its Rules of Procedure,
- having regard to the report of the Committee on Legal Affairs and the Internal Market and the opinion of the Committee on Culture, Youth, Education, the Media and Sport (A5-0478/2003),

1. Notes that the exercise and management of copyright and neighbouring rights have been discussed at EU level since 1995;

2. Underlines that collective management has been recognised and sanctioned as a valid form of rights management by the EC legislator since 1992; notes that Directive 92/100/EEC expressly gives authors and performers the possibility to entrust the administration of their unwaivable right to receive equitable remuneration for rental to collecting societies representing them; points out that Directive 93/83/EEC provides for mandatory collective management for cable retransmission rights and that Directive 2001/84/EC expressly refers to the possibility for Member States to provide for compulsory or optional collective management of the right for authors of an original work of art to receive royalties; considers that these directives constitute part of the *acquis communautaire*;

3. Notes that the management of copyright and neighbouring rights is, together with the recognised rights themselves and the provisions on their enforcement, the third and indispensable element in the sphere of copyright and neighbouring rights;

4. Draws attention to the fact that some 5—7 % of EU gross domestic product is earned by goods and services protected by copyright and neighbouring rights;

5. Notes that Directive 2001/29/EC is a significant step towards the establishment of an internal market for copyright, in which the adjustments made necessary by digitalisation may also lead to adjustment in the area of management, without prejudice to the substance of the rights in question and focusing, in particular, on the protection of neighbouring rights through digital rights management systems;

6. Notes that, in the area of copyright and neighbouring rights, the proper and fair participation of all concerned throughout the chain of exploitation and the rapid, fair and professional acquisition of rights are crucial for financial, as well as cultural, success;

7. Supports the call for any use to be properly rewarded in accordance with the law applicable and the three-step test, more particularly, those deriving from cases for which the law makes provision, thereby creating an entitlement to remuneration (compulsory licence, private copy, library royalties);

⁽¹⁾ OJ L 122, 17.5.1991, p. 42.

⁽²⁾ OJ L 346, 27.11.1992, p. 61.

⁽³⁾ OJ L 248, 6.10.1993, p. 15.

⁽⁴⁾ OJ L 290, 24.11.1993, p. 9.

⁽⁵⁾ OJ L 77, 27.3.1996, p. 20.

⁽⁶⁾ OJ L 6, 10.1.2002, p. 70.

⁽⁷⁾ OJ L 272, 13.10.2001, p. 32.

Thursday 15 January 2004

8. Notes that, in the area of collective exercise of rights, necessitated, inter alia by the enlargement of the European Union, appropriate means are needed and action might need to be taken;

9. Recalls that the technical assistance programmes PHARE and TACIS settled by the EU in the intellectual property area helped and enabled the development of collective management societies in the countries of Central and Eastern Europe and the CIS, and especially, as part of the pre-accession strategy, in the new countries;

10. Points out that in the new Member States, collective management societies are still lacking for some sectors, right-holders and repertoires, that existing societies remain tentative and are encountering difficulties in collecting the remuneration due from their members and that, therefore, the specific assistance support programmes for the collecting societies of these countries, as employed under PHARE and TACIS as part of the pre-accession strategy, should be retained with a view to increasing the circulation of works, enhancing the European heritage and increasing legal certainty; requests that the Commission draw up a proposal accordingly;

Internal market

11. Points out that the exercise and management of rights is based on the principle of territoriality and international treaties; notes, moreover, that the adjustments which have taken place so far as a result of digitalisation (above all global distribution mechanisms) in the area of rights management are not yet sufficient;

12. Believes that a Community approach in the area of the exercise and management of copyright and neighbouring rights, in particular of effective collective rights management in the internal market, must be pursued while respecting and complying with the principles of copyright and competition law and in accordance with the principles of subsidiarity and proportionality;

13. Asks the Commission to ensure that while collecting societies, to the extent that they are service providers, are encompassed in the forthcoming proposal on the internal market for services, due account should be taken of their functions as trustees and their particular responsibility for cultural and social aspects and society as such;

Competition

14. Notes that the de jure and de facto monopolies which the collecting societies generally enjoy do not in, principle, pose a problem for competition, provided that they do not impose unreasonable restrictions on their members or on access to rights by prospective clients; recognises that that collecting societies carry out tasks in the public interest and in the interest of right-holders and users and, therefore, require a degree of regulation; emphasises the importance of competition law in examining possible abuses of monopoly by collecting societies in individual cases so as to be able successfully to ensure rights management also in the future;

15. Notes, on the other hand, that the increasing vertical concentration of the media is the real challenge in the area of access to and dissemination of works and services protected by copyright or neighbouring rights, as also the exercise and exploitation of such works and services; calls, therefore, on the

Thursday 15 January 2004

Commission to monitor the vertical concentration of the media and its effect on the exercise of rights and, where appropriate, to take the necessary measures;

16. Considers that a straightforward, rapid and reliable clarification of rights is in the interest of right-holders, users and consumers of works and performances and that a Community approach should take full account of the specific features of the ownership and exercise of copyright and neighbouring rights in order to avoid both economic and cultural misallocations;

17. Calls, accordingly, for the restriction of competition law to cases of abuse, subject to introduction and supervision of the necessary transparency, so as to safeguard rights management effectively both now and in the future;

The information society

18. Notes that the present discussions surrounding collective claims to remuneration and digital rights management (DRM) systems have implications for the exercise and management of rights; notes further that DRM systems may develop into a useful tool for improved rights management;

19. Recognises that introducing DRM systems may result in an income which is more individually attributable but, for the time being, will not automatically replace collective remuneration for private copying; notes, further, that a large part of the collecting societies' sphere of activity cannot be replaced by DRM systems;

20. Points out, with regard to DRM systems, that they can only be used successfully if the principles of authorship and related rights and inter-operability are the basis for their application, in which, particularly, the equal opportunities of right-holders are upheld, there is a uniform coding standard established and strict compliance with the relevant data protection provisions is ensured;

21. Considers that, as regards the claims to remuneration which must be collected and where a system of authorisations or licences cannot be applied, there is a need for an examination of the market under Directive 2001/29/EC to be performed, in particular, to avoid confusion and unnecessary administrative costs for consumers and to create a fair balance between sectors;

Collective management societies

22. Points out that the protection and collective management of intellectual property rights are important factors in stimulating cultural creativity and influencing the growth of cultural and linguistic diversity;

23. Stresses the importance of finding a balance between the rights and interests of the artists and right-holders, on the one hand, and the need to ensure the optimal dissemination of their work for the benefit of their potential audience, on the other; recognises that, in this regard, collective management societies present a greater advantage in facilitating users' access to the content and circulation of works, for the benefit of the entire chain;

24. Points to the fact that copyright comprises two main sets of rights: economic rights which are the rights of reproduction, communication to the public (including broadcasting), distribution etc., and moral rights which include the author's and performer's right to object to any distortion, mutilation or other modification of their work;

25. Recognises the important role of collective management societies which constitute an indispensable link between creators and users of copyrighted works, on account of the fact that they ensure that artists

Thursday 15 January 2004

and right-holders receive payment for the use of their works, since technological developments have led to new forms of protected works, especially in the multimedia sector, and have increased the possibilities for international exploitation of intellectual property rights; points out, in addition, that individual artists and right-holders find it impossible to face the new difficulties alone;

26. Calls on the Commission, when examining the issue of collective management societies, to take due account of the cultural dimension of the collective management of rights, since the rights of artists and right-holders are protected by national legislation, by the Berne Convention, the TRIPS and the WIPO treaties and by several EU Directives; whereas collective management societies are governed at national level in conformity with the existing national, European and international regulations, and the rules regulating collective management societies vary from one EU Member State to another because of historical, legal, economic and, above all, cultural diversity;

27. Points out that the practice of certain collective management societies (chiefly in the field of music) to use distribution rules to promote non-commercial but culturally important works contributes to the development of culture and cultural diversity; recognises in addition, the cultural and social activity of collective management societies, which thus also become vehicles of public authority;

28. Signals that future European Directives from the Commission on the regulation of television, radio, communication, transmission and telecommunications in the digital area must recognise and include provisions of ownership and protection based on the principles of the author's rights; considers that the EU would thus enhance European art and culture, strengthen the confidence of artists, including writers, musicians and film makers who would be able to create new work with the assurance that it will be properly protected from piracy and ensure moral rights and financial incentives;

29. Points out that the lack of procedural facilities for collective management societies and the absence of rapid dispute settlement mechanisms result in an ineffective protection of creators and increased management costs; stresses that in view of the nature and role the management societies, they must be managed and controlled by the right-holders;

30. Stresses that collective management societies are the most significant option for the efficient protection of the copyright of the artist and must operate according to the principles of transparency, democracy and the participation of creators; stresses that the institution of reasonable levies as compensation for free reproduction for personal use constitutes the only means of ensuring equitable remuneration for creators and users' easy access to intellectual property works and cannot be replaced by DRM systems;

31. Greets initiatives such as ISAN (International Standard Audiovisual Number), recognised by the UN organisation ISO (International Organisation for Standardisation), which is able to use software to identify the time and place an audiovisual work is used, and is generally in favour of promoting international cooperation in this sector;

32. Points out that one important criterion, but not the only one, for the representation of right-holders in the management and control bodies of collective management societies must be the financial value of the rights which each right-holder contributes to the collective management society; considers that the freedom of creators to decide for themselves which rights they wish to confer on collective management societies, and which rights they wish to manage individually, must also be safeguarded by legislation;

33. Proposes that the potential offered by new technologies and distribution networks with regard to the exercise of copyright and neighbouring rights be used in a creative way;

34. Considers it imperative that, where they perform public functions from a position of monopoly, collective management societies in the field of copyright and neighbouring rights are appropriately regulated, in order to ensure the transparency required under competition law;

Thursday 15 January 2004

35. Notes that the various laws and provisions, and the statutes and practices, of collecting societies differ too widely, owing to the fact that every country has its own traditions and specific historical, legal, cultural and economic characteristics;
36. Underlines the freedom of the right-holders to opt for individual or collective management in accordance with the applicable legislative and contractual provisions; points out, in this connection, that considerations as to appropriateness may also have a bearing;
37. Notes that, in relation to their organisation, collective management societies have adopted very different approaches as between one category of right-holder and another, one sector and another, and one country and another; notes that the main and crucial issue for the exercise of rights in the internal market is that these societies fulfil their function of trustees;
38. Calls for the creation of common tools and of comparable parameters and the coordination of collective management societies' areas of activity, to improve cooperation between societies and take the development of the information society into account;
39. Notes that internal democratic structures of collective management societies are fundamental for legitimising their activity and for them to operate effectively; calls, therefore, for the establishment of minimum standards for organisational structures, transparency, accounting and legal remedies;
40. Calls for all those entitled to exercise rights to be able to send representatives of their choice with voting rights to members' meetings, and believes that such right-holders should be taken into consideration when members of management bodies are being appointed;
41. Calls for the participation, on the basis of equal entitlement, of all the various member groups and — in view of the vertical concentration of the media — for particular attention to be paid when appointing members to management bodies; this must, however, be fully compatible with the establishment of internal operating and management standards in management societies which apply other reasonable criteria (number of works or interpretations, amount of revenue, etc.) for participation in such bodies, the final result being a principle of identical treatment in identical circumstances;
42. Calls for an end to conflicts of interest (when right-holders and users are the same person) in the operation of collecting societies;
43. Recognises that reciprocal agreements between collective management societies have been explicitly recognised as admissible by case-law, provided that they are not contrary to provisions laid down in competition law; also recognises that while the establishment of an efficient national one-stop shop is wholly desirable, where unequal rights exist between the constituent right-holders, the equitable operation of a one-stop shop facility is put in jeopardy; considers that, in such circumstances, the separate right-holding groups should be able to negotiate the licensing and administer the collection and distribution of the revenue accruing from the exploitation of their rights separately;
44. Calls for an end to the preferential treatment given to national repertoires over non-qualified recordings, without prejudice to the international treaties applicable, and in particular the aforementioned Rome Convention and the Berne Convention;
45. Calls for the so-called 'B agreements' to be discontinued;
46. Starts from the premise that cultural and social activities, and tasks in the public interest, are justified in so far as they are democratically legitimised in the society and/or laid down by law and provided that they benefit all member groups equitably; considers, in this connection, that all member groups must be equally represented;

Thursday 15 January 2004

47. Notes, with regard to the control mechanisms of collective management societies that, firstly, there are major structural differences and, secondly, that the efficiency of such controls differs greatly between Member States;
48. Calls for efficient, independent, regular, transparent and expert control mechanisms in all Member States, which take into account all the legal, social, financial and cultural aspects;
49. Calls for comparable and compatible arbitration mechanisms throughout the EU, access to which is affordable to small users and small authors, for disputes between right-holders and collective management societies, between one collecting society and another, and between collective management societies and users;
50. Also calls for efforts to seek an appropriate procedure for the cross-border settlement of conflicting decisions in Member States;
51. Wishes to see a graduated requirement for collective management societies to provide information, both internally and externally; calls, therefore, for the publication on the internet, as well as in other forms, of tariffs, distribution keys, annual accounts and information on reciprocal agreements;
52. Considers it necessary to establish, in the event of a Community approach, a framework for minimum standards for the calculation of tariffs, thereby contributing to introducing the transparency required in accordance with competition law;
53. Calls for the listing of appropriate management costs, comprehensible to those entitled to benefit;
54. Calls for uniform coding standards for works, to simplify the exercise of rights and improve the efficiency of controls, and for inter-operability in the market, including that between collective management societies; notes that collective management societies are participating in international fora in order to promote the development of common, inter-operable and secure standards;
55. Supports the desire for EU promotion to implement uniform coding standards;
56. Calls for the efficient exchange of information between collective management societies, and, as regards data confidentiality standards, for clear provision to be made for collective management societies to enjoy access to each other's economic data and, furthermore, to seek audits with a view to ensuring that reciprocal representation agreements are properly applied and enhancing transparency in their management;
57. Supports the call for the central pooling of the necessary information about the substantive competence of collecting societies, namely, the right-holders represented by them and the rights granted by the latter with regard to management negotiations, and their competence *ratione materiae*, i.e. the works and other related protected goods; takes the view that this will constitute a further contribution to transparency, legal certainty and practical access to management;
58. Calls for a legally-binding requirement on the licence-holder to provide relevant information on use;
59. Calls for the Member States and the Commission to adopt more stringent rules on compliance and supervision of national law on copyright and neighbouring rights, above all in those individual cases in which the corresponding remuneration for the use of the protected works and services is not paid;

Thursday 15 January 2004

60. Calls on the Commission to monitor implementation of the acquis on authorship law and check that its application complies with Community law;
 61. Urges the Commission to examine, three years following the adoption of this resolution, whether the desired harmonisation, democratisation and transparency in relation to the management of copyright and neighbouring rights by collective management societies has been achieved and, if not, to take additional measures;
 62. Calls for a binding definition of the subject matter protected, taking into account new audiovisual media and products, provided that they constitute an original, creative effort;
 63. Calls, following the example of the MEDIA + programme, for a regulated term for reversion of rights (three years), in particular in the field of television, in order to strengthen independent producers and improve the movement of European works;
 64. Instructs its President to forward this resolution to the Council, the Commission and the Member States.
-