

ACTS ADOPTED BY BODIES CREATED BY INTERNATIONAL AGREEMENTS

Only the original UN/ECE texts have legal effect under international public law. The status and date of entry into force of this Regulation should be checked in the latest version of the UN/ECE status document TRANS/WP.29/343, available at:
<http://www.unece.org/trans/main/wp29/wp29wgs/wp29gen/wp29fdocstts.html>

Regulation No 29 of the Economic Commission for Europe of the United Nations (UN/ECE) — Uniform provisions concerning the approval of vehicles with regard to the protection of the occupants of the cab of a commercial vehicle

Incorporating all valid text up to:

03 series of amendments — Date of entry into force: 30 January 2011.

CONTENTS

REGULATION

1. Scope
2. Definitions
3. Application for approval
4. Approval
5. Requirements
6. Modifications and extension of the approval of the vehicle type
7. Conformity of production
8. Penalties for non-conformity of production
9. Production definitely discontinued
10. Transitional Provisions
11. Names and addresses of technical services responsible for conducting approval tests, and of administrative departments

ANNEXES

Annex 1 — ECE Type-approval documentation

- Part 1 — Model Information document
- Part 2 — Communication

Annex 2 — Arrangements of approval marks

Annex 3 — Test procedure

- Appendix 1: Instructions for securing vehicles to the test bed
- Appendix 2: Manikin to be used to verify the survival space

Annex 4 — Procedure for determining the 'H' point and the actual torso angle for seating positions in motor vehicles

- Appendix 1: Description of the three-dimensional H point machine
- Appendix 2: Three-dimensional reference system

Annex 5 — Reference data concerning seating positions

1. SCOPE

This Regulation applies to vehicles with separate driver's cab of category N⁽¹⁾ with regard to the protection of the occupants of the cab.

2. DEFINITIONS

For the purposes of this Regulation:

2.1. 'approval of a vehicle' means the approval of a vehicle type pursuant to the requirements of this Regulation, with regard to the protection of the occupants of the cab of a vehicle in the event of head-on impact or of overturning.

2.2. 'vehicle type' means a category of motor vehicle which does not differ in such essential respects as:

2.2.1. the dimensions, shapes and materials of the components of the vehicle cab; or

2.2.2. the manner of attachment of the cab to the chassis frame.

2.3. 'transverse plane' means a vertical plane perpendicular to the longitudinal plane of the vehicle.

2.4. 'longitudinal plane' means a plane parallel to the median longitudinal plane of the vehicle.

2.5. 'Cab-over engine vehicle' means a vehicle where more than half of the engine length is rearward of the foremost point of the windshield base and the steering wheel hub is in the forward quarter of the vehicle length.

2.6. 'R point' means the seating reference point as defined in Annex 4, paragraph 2.4.

2.7. 'H-point' means the point defined in Annex 4, paragraph 2.3.

2.8. 'Test A' means a frontal impact test intended to evaluate the resistance of a cab in frontal impact accident.

2.9. 'Test B' means an impact test to the A-pillars of the cab intended to evaluate the resistance of a cab in a 90° rollover accident with subsequent impact.

2.10. 'Test C' means a cab roof strength test intended to evaluate the resistance of a cab in a 180° rollover accident.

2.11. 'A-pillar' means the foremost and outermost roof support.

2.12. 'Windscreen' means the frontal glazing of the vehicle situated between the A-pillars.

3. APPLICATION FOR APPROVAL

3.1. The application for approval of a vehicle type with regard to the protection of the occupants of the cab of a vehicle shall be submitted by the vehicle manufacturer or by his duly accredited representative.

3.2. It shall be accompanied by drawings of the vehicle, showing the position of the cab on the vehicle and the manner of its attachment, and by sufficiently detailed drawings relating to the structure of the cab, all the said drawings being submitted in triplicate. A model for the information document relating to the construction features is given in Annex 1, Part 1.

⁽¹⁾ As defined in Annex 7 to the Consolidated Resolution on the Construction of Vehicles (R.E.3), (document TRANS/WP.29/78/Rev.1/Amend.2 as last amended by Amend.4).

4. APPROVAL

- 4.1. If the vehicle type submitted for approval pursuant to this Regulation meets the requirements of paragraph 5 hereof, approval of that vehicle type shall be granted.
- 4.2. An approval number shall be assigned to each type approved. Its first two digits (at present 03 corresponding to the 03 series of amendments) shall indicate the series of amendments incorporating the most recent major technical amendments made to the Regulation at the time of issue of the approval. The same Contracting Party may not assign the same number to another vehicle type within the meaning of paragraph 2.2 above.
- 4.3. Notice of approval or of extension or of refusal or of withdrawal of approval or production definitely discontinued of a vehicle type pursuant to this Regulation shall be communicated by the Parties to the Agreement which apply this Regulation by means of a form conforming to the model in Annex 1 to this Regulation.
- 4.4. There shall be affixed, conspicuously and in a readily accessible place specified on the approval form, to every vehicle conforming to a vehicle type approved under this Regulation, an international approval mark consisting of:
 - 4.4.1. a circle surrounding the letter 'E' followed by the distinguishing number of the country which has granted the approval⁽¹⁾; and
 - 4.4.2. the number of this Regulation, followed by the letter 'R', a dash and the approval number, to the right of the circle prescribed in paragraph 4.4.1.
- 4.5. If the vehicle conforms to a vehicle type approved, under one or more other Regulations annexed to the Agreement, in the country which has granted approval under this Regulation, the symbol prescribed in paragraph 4.4.1 need not be repeated; in such a case the additional numbers and symbols of all the Regulations under which approval has been granted in the country which has granted approval under this Regulation shall be placed in vertical columns to the right of the symbol prescribed in paragraph 4.4.1.
- 4.6. The approval mark shall be clearly legible and be indelible.
- 4.7. The approval mark shall be placed close to or on the vehicle data plate.
- 4.8. Annex 2 to this Regulation gives examples of arrangements of approval marks.

5. REQUIREMENTS

5.1. General requirements

- 5.1.1. The cab of the vehicle shall be so designed and so attached to the vehicle as to eliminate to the greatest possible extent the risk of injury to the occupants in the event of an accident.

⁽¹⁾ 1 for Germany, 2 for France, 3 for Italy, 4 for the Netherlands, 5 for Sweden, 6 for Belgium, 7 for Hungary, 8 for the Czech Republic, 9 for Spain, 10 for Serbia, 11 for the United Kingdom, 12 for Austria, 13 for Luxembourg, 14 for Switzerland, 15 (vacant), 16 for Norway, 17 for Finland, 18 for Denmark, 19 for Romania, 20 for Poland, 21 for Portugal, 22 for the Russian Federation, 23 for Greece, 24 for Ireland, 25 for Croatia, 26 for Slovenia, 27 for Slovakia, 28 for Belarus, 29 for Estonia, 30 (vacant), 31 for Bosnia and Herzegovina, 32 for Latvia, 33 (vacant), 34 for Bulgaria, 35 (vacant), 36 for Lithuania, 37 for Turkey, 38 (vacant), 39 for Azerbaijan, 40 for The former Yugoslav Republic of Macedonia, 41 (vacant), 42 for the European Union (Approvals are granted by its Member States using their respective UNECE symbol), 43 for Japan, 44 (vacant), 45 for Australia, 46 for Ukraine, 47 for South Africa, 48 for New Zealand, 49 for Cyprus, 50 for Malta, 51 for the Republic of Korea, 52 for Malaysia, 53 for Thailand, 54 and 55 (vacant), 56 for Montenegro, 57 (vacant) and 58 for Tunisia. Subsequent numbers shall be assigned to other countries in the chronological order in which they ratify or accede to the Agreement Concerning the Adoption of Uniform Technical Prescriptions for Wheeled Vehicles, Equipment and Parts which can be Fitted and/or be Used on Wheeled Vehicles and the Conditions for Reciprocal Recognition of Approvals Granted on the Basis of these Prescriptions, and the numbers thus assigned shall be communicated by the Secretary-General of the United Nations to the Contracting Parties to the Agreement.

- 5.1.2. Vehicles of categories N₁ and vehicles of categories N₂ with a gross vehicle mass not exceeding 7,5 t shall be subjected to the tests A and C, as described in Annex 3, paragraphs 5 and 7.

However a vehicle type which has been approved according to Regulation No 33 or to Regulation No 94 may be considered to have satisfied the requirements on frontal impact (Test A).

- 5.1.3. Vehicles of categories N₃ and vehicles of categories N₂ with a gross vehicle mass exceeding 7,5 t shall be subjected to the tests A, B, and C, as described in Annex 3, paragraphs 5, 6 and 7.

- 5.1.4. Test A (frontal impact) shall only be conducted on Cab-over-Engine vehicles.

- 5.1.5. One, two or three cabs, at the manufacturer's choice, may be used for the purpose of demonstrating compliance with paragraphs 5.1.2 or 5.1.3 above. However both phases in Test C, if applicable, shall be conducted on the same cab.

- 5.1.6. None of the tests A, B, C, need be carried out if the manufacturer can show by computer simulation or calculations of the strength of the component parts of the cab or by other means to the satisfaction of the Technical Service that the cab will not undergo deformation dangerous to the occupants (penetration into the survival space) if subjected to the conditions of the tests.

- 5.2. Survival space required after the test or tests

- 5.2.1. After undergoing each of the tests referred to in paragraphs 5.1.2 or 5.1.3, the cab of the vehicle shall exhibit a survival space allowing accommodation of the manikin defined in Annex 3, Appendix 2, on the seat, when the latter is in its median position, without contact between the test manikin and non-resilient parts with a Shore-Hardness of 50 or more. No account shall be taken of non-resilient parts which can be moved away without any tools from the test manikin by using a force of less than 100 N. To facilitate installation, the manikin may be inserted in dismantled form and assembled in the cab. For this purpose, the seat shall be adjusted to its most rearward position and the manikin completely assembled and so placed that its H point coincides with the R point. The seat shall then be moved forward to its median position for the assessment of the survival space. As an alternative to the test manikin defined in Annex 3, Appendix 2, a fiftieth percentile Hybrid II or III male dummy, with or without measuring instrumentation, the description of which is given in Regulation No 94, may be used.

- 5.2.2. The space so defined shall be verified for every seat provided by the manufacturer.

- 5.3. Other conditions

- 5.3.1. During the tests the components by which the cab is secured to the chassis frame may be distorted or broken, provided that the cab remains attached to the chassis frame.

- 5.3.2. None of the doors shall open during the tests, but the doors shall not be required to open after testing.

6. MODIFICATION AND EXTENSION OF THE APPROVAL OF THE VEHICLE TYPE

- 6.1. Every modification of the vehicle type shall be notified to the administrative department which approved the vehicle type. The department may then either:

- 6.1.1. consider that the modifications made are unlikely to have an appreciable adverse effect, and that in any case the vehicle still complies with the requirements; or

- 6.1.2. require a further test report from the Technical Service responsible for conducting the tests.

- 6.2. Confirmation or refusal of approval, specifying the alterations, shall be communicated by the procedure specified in paragraph 4.3 above to the Contracting Parties to the Agreement which apply this Regulation.

- 6.3. The competent authority issuing an extension of approval shall assign a series number for such an extension and inform thereof the other Parties to the 1958 Agreement applying this Regulation by means of a communication form conforming to the model in Annex 1 to this Regulation.

7. CONFORMITY OF PRODUCTION

The conformity of production procedures shall comply with those set out in the Agreement, Appendix 2 (E/ECE/324-E/ECE/TRANS/505/Rev.2), with the following requirements:

- 7.1. A vehicle approved pursuant to this Regulation shall be so manufactured as to conform to the type approved by meeting the requirements of paragraph 5 above.
- 7.2. The Competent Authority which has granted approval may at any time verify the conformity of control methods applicable to each production unit. The normal frequency of such inspections shall be once every 2 years.

8. PENALTIES FOR NON-CONFORMITY OF PRODUCTION

- 8.1. The approval granted in respect of a vehicle type, pursuant to this Regulation, may be withdrawn if the requirement laid down in paragraph 7.1 above is not complied with.
- 8.2. If a Party to the Agreement which applies this Regulation withdraws an approval it has previously granted, it shall forthwith so notify the other Contracting Parties applying this Regulation by means of a communication form conforming to the model in Annex 1 to this Regulation.

9. PRODUCTION DEFINITELY DISCONTINUED

If the holder of the approval completely ceases to manufacture a type of vehicle approved in accordance with this Regulation, he shall so inform the authority which granted the approval. Upon receiving the relevant communication, that authority shall inform thereof the other Parties to the 1958 Agreement which apply this Regulation by means of a communication form conforming to the model in Annex 1 to this Regulation.

10. TRANSITIONAL PROVISIONS

- 10.1. As from the official date of entry into force of the 02 series of amendments, no Contracting Party applying this Regulation shall refuse to grant ECE approval under this Regulation as amended by the 02 series of amendments.
- 10.2. As from 1 October 2002 Contracting Party applying this Regulation shall grant ECE approvals only if the requirements of this Regulation, as amended by the 02 series of amendments are satisfied.
- 10.3. As from 1 October 2006 Contracting Party applying this Regulation may refuse to recognise approvals which were not granted in accordance with the 02 series of amendments to this Regulation.
- 10.4. As from the official date of entry into force of the 03 series of amendments, no Contracting Party applying this Regulation shall refuse to grant ECE approval under this Regulation as amended by the 03 series of amendments.
- 10.5. As from 72 months after the date of entry into force of the 03 series of amendments Contracting Parties applying this Regulation shall grant ECE approval under this Regulation to the new types of cabs only if the requirements of this Regulation, as amended by the 03 series of amendments, are satisfied.
- 10.6. Contracting Parties applying this Regulation shall not refuse to grant extensions of approval to the preceding series of amendments to this Regulation.
- 10.7. Contracting Parties applying this Regulation shall continue to grant approvals to those types of vehicles which comply with the requirements of this Regulation as amended by the preceding series of amendments during the 72 months' period which follows the date of entry into force of the 03 series of amendments.
- 10.8. No Contracting Party applying this Regulation shall refuse national or regional type approval of a vehicle type approved to the 03 series of amendments to this Regulation.

10.9. Even after the entry into force of the 03 series of amendments to this Regulation, approvals of the vehicles to the preceding series of amendments to this Regulation shall remain valid and Contracting Parties applying this Regulation shall continue to accept them.

11. NAMES AND ADDRESSES OF TECHNICAL SERVICES RESPONSIBLE FOR CONDUCTING APPROVAL TESTS, AND OF ADMINISTRATIVE DEPARTMENTS

The Parties to the Agreement which apply this Regulation shall communicate to the Secretariat of the United Nations the names and addresses of the technical services conducting approval tests, and of the administrative departments which grant approval and to which forms certifying approval or extension, or refusal or withdrawal of approval, issued in other countries, are to be sent.

ANNEX 1

ECE TYPE-APPROVAL DOCUMENTATION

Part 1

MODEL INFORMATION DOCUMENT

Pursuant to Regulation No 29 relating to type-approval of the cab

The following information, if applicable, must be supplied in triplicate and include a list of contents. Any drawings must be supplied in appropriate scale and in sufficient detail on size A4 or on a folder of A4 format. Photographs, if any, must show sufficient detail.

1. General
- 1.1. Make (trade name of manufacturer):
- 1.2. Type:
- 1.3. Means of identification of type, if marked on the vehicle:
- 1.3.3. Location of that marking:
- 1.4. Category of vehicle ⁽¹⁾:
- 1.5. Name and address of manufacturer:
- 1.6. Address(es) of assembly plant(s):
2. General Construction Characteristics of the Vehicle
- 2.1. Photographs and/or drawings of a representative vehicle:
- 2.2. Dimensional drawing of the whole vehicle:
- 2.3. Number of axles and wheels:
- 2.6. Position and arrangement of the engine:
- 2.7. Driving cab (cab-over-engine or bonnet) ⁽²⁾:
- 2.8. Hand of drive:
3. Masses and Dimensions (in kg and mm) (refer to drawing where applicable)
- 3.1. Technically permissible maximum laden mass stated by the manufacturer:
- 3.2. Technical permissible maximum mass for the front axle or axles of the vehicle:
4. Cab:
- 4.1. Type of cab: (normal/sleeper/top-sleeper) ⁽³⁾:
- 4.2. Materials used and methods of construction:
- 4.3. Door configuration and number of doors:

⁽¹⁾ As defined in Annex 7 to the Consolidated Resolution of Construction of Vehicles (R.E.3). TRANS/WP.29/78/Rev.1/Amend. 2 as last amended by Amend. 4).

⁽²⁾ Cab-over-engine means a configuration in which more than half of the engine length is rearward of the foremost point of the windshield base and the steering wheel hub in the forward quarter of the vehicle length.

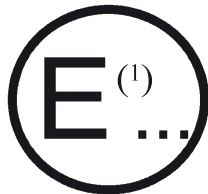
⁽³⁾ Delete where not applicable (there are cases where nothing needs to be deleted when more than one entry is applicable).

- 4.4. Drawings of door latches and retention components and their position in the doors:
- 4.5. Number of seats:
- 4.6. R-points:
- 4.7. Detailed description of the cab of the vehicle type including its dimensions, configuration and constituent materials and its attachment to any chassis frame:
- 4.8. Drawings of the cab and those parts of its interior arrangement which have an influence on the residual space:
- 5. Steering
- 5.1. Schematic diagram(s) of the steering control(s):
- 5.2. Range and method of adjustment (if any), of the steering control:

Part 2

COMMUNICATION

(maximum format: A4 (210 × 297 mm))



issued by: Name of administration

.....
.....
.....

- concerning ⁽²⁾: Approval granted
- Approval extended
- Approval refused
- Approval withdrawn
- Production definitely discontinued

of a vehicle type with regard to protection of the occupants of the cab of a vehicle pursuant to Regulation No 29.

Approval No Extension No

- 1. Trade name or mark of the vehicle:
- 2. Vehicle type:
- 3. Manufacturer's name and address:
- 4. If applicable, name and address of manufacturer's representative:
- 5. Brief description of the cab's design and method of attachment:
- 6. Vehicle submitted for approval on:
- 7. Technical service responsible for conducting approval tests:
- 8. Date of report issued by that service:
- 9. Number of report issued by that service:
- 10. Approval granted/refused/extended/withdrawn ⁽²⁾
- 11. Position of approval mark on the vehicle:
- 12. Place:
- 13. Date:
- 14. Signature:

The list of documents deposited with the Administrative Service which has granted approval is annexed to this communication and may be obtained on request.



⁽¹⁾ Distinguishing number of the country which has granted/extended/refused/withdrawn approval (see approval provision in the Regulation).

⁽²⁾ Strike out what does not apply.

ANNEX 2

ARRANGEMENTS OF APPROVAL MARKS

MODEL A

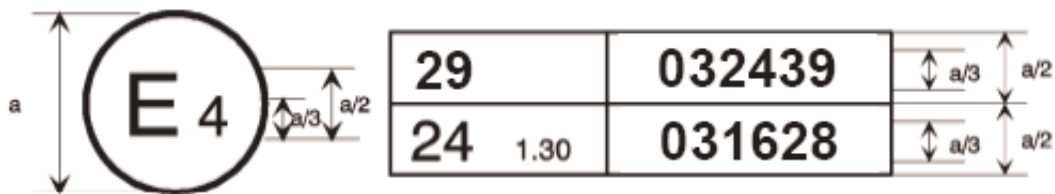
(See paragraph 4.4 of this Regulation)



a = 8 mm min

The above approval mark affixed to a vehicle shows the vehicle type concerned has with regard to the protection of the occupants of the cab of a commercial vehicle, been approved in the Netherlands (E 4), under the number 032439. The first two digits of the approval number indicate the Regulation No 29 already included the 03 series of amendments when the approval was given.

MODEL B



a = 8 mm min

The above approval mark affixed to a vehicle shows that the vehicle type concerned has been approved in the Netherlands (E 4) pursuant to Regulations No 29 and 24 ⁽¹⁾. (In the case of the latter Regulation the corrected absorption coefficient is 1,30 m⁻¹.) The approval numbers indicate that on the dates on which these approvals were granted Regulations No 29 and 24 included the 03 series of amendments.

⁽¹⁾ The second number is given merely as an example.

ANNEX 3

TEST PROCEDURE

1. **Doors**

Before the tests the doors of the cab shall be closed but not locked.

2. **Engine**

For Test A the engine, or a model equivalent thereto in mass, dimensions and mounting, shall be fitted to the vehicle.

3. **Cab**

The cab shall be equipped with the steering mechanism, steering wheel, instrument-panel and the driver and passenger seats. The steering wheel and the seating position shall be adjusted to their positions for normal use as prescribed by the manufacturer.

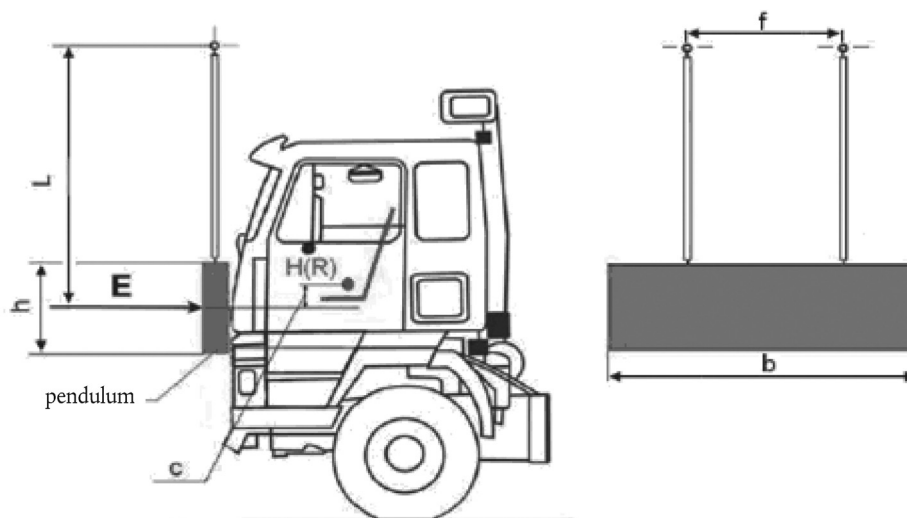
4. **Anchorage of the cab**

For Test A, the cab shall be mounted on a vehicle. For Tests B and C, the cab shall, at the manufacturer's choice, be mounted either on a vehicle or on a separate frame. The vehicle or frame shall be secured in the manner prescribed in Appendix 1 to this Annex.

5. **Front impact test (Test A)**

Figure 1

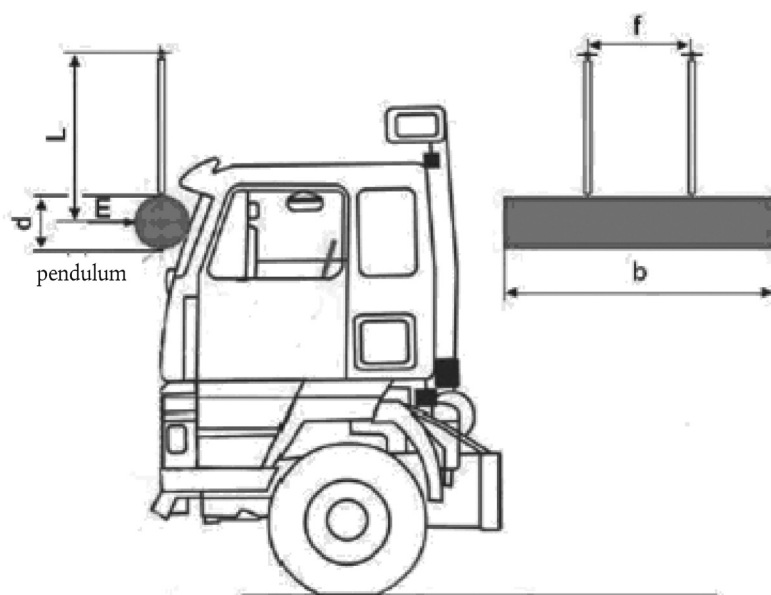
Front impact test (Test A)



- 5.1. The impactor shall be made of steel and its mass shall be evenly-distributed; its mass shall not be less than 1 500 kg. Its striking surface, rectangular and flat, shall be 2 500 mm wide and 800 mm high (see b and h on figure 1). Its edges shall be rounded to a radius of curvature of 10 mm \pm 5 mm.
- 5.2. The impactor assembly shall be of rigid construction. The impactor shall be freely suspended by two beams rigidly attached to it and spaced not less than 1 000 mm apart (see f on figure 1). The beams shall be not less than 3 500 mm long from the axis of suspension to the geometric centre of the impactor (L on figure 1).
- 5.3. The impactor shall be so positioned that in the vertical position:
 - 5.3.1. its striking face is in contact with the foremost part of the vehicle;
 - 5.3.2. its centre of gravity is $c = 50 + 5 \sqrt{h} - 0$ mm below the R point of the driver's seat; and
 - 5.3.3. its centre of gravity is in the median longitudinal plane of the vehicle.

- 5.4. The impactor shall strike the cab at the front in the direction towards the rear of the cab. The direction of impact shall be horizontal and shall be parallel to the median longitudinal plane of the vehicle.
- 5.5. The impact energy shall be:
- 5.5.1. 29,4 kJ in the case of vehicles of category N₁ and of vehicles of category N₂ with a gross vehicle mass not exceeding 7,5 t.
- 5.5.2. 55 kJ in the case of vehicles of category N₃ and of vehicles of category N₂ with a gross vehicle mass exceeding 7,5 t.
6. **Front pillar impact test (Test B)**

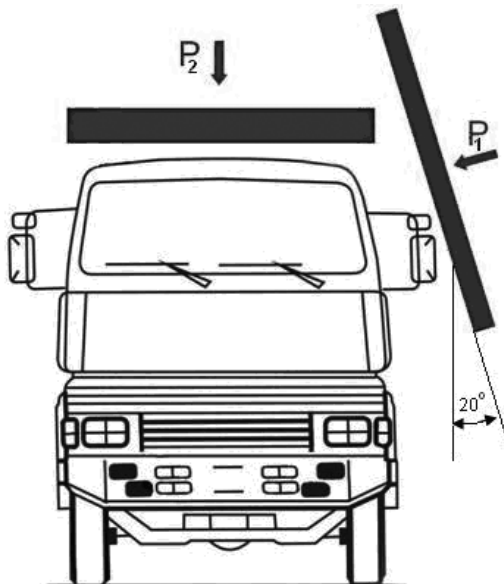
Figure 2

Front pillar impact test (Test B)

- 6.1. The impactor shall be rigid and its mass shall be evenly-distributed; its mass shall not be less than 1 000 kg. The impactor shall be cylindrical with a diameter d of the cylinder of 600 ± 50 mm and a length b of not less than 2 500 mm. Its edges shall be rounded to a radius of curvature of not less than 1,5 mm.
- 6.2. The impactor assembly shall be of rigid construction. The impactor shall be freely suspended by two beams rigidly attached to it and spaced not less than $f = 1\,000$ mm apart. The beams shall not be less than $L = 3\,500$ mm long from the axis of suspension to the geometric centre of the bob impactor.
- 6.3. The impactor shall be so positioned that when its suspension is in the vertical position:
- 6.3.1. its striking face is in contact with the foremost part of the cab;
- 6.3.2. its median longitudinal line is horizontal and perpendicular to the median longitudinal vertical plane of the cab;
- 6.3.3. its centre of gravity is midway between the lower and the upper windscreen frame, as measured along the windscreen and along the median longitudinal vertical plane of the cab;
- 6.3.4. its centre of gravity is in the median longitudinal plane of the cab;
- 6.3.5. its length is equally distributed over the width of the vehicle, overlapping the full width of both A-pillars.

- 6.4. The impactor shall strike the cab at the front in the direction towards the rear of the cab. The direction of impact shall be horizontal and shall be parallel to the median longitudinal plane of the vehicle.
- 6.5. The impact energy shall be 29,4 kJ
7. **Roof strength test (Test C)**

Figure 3

Roof strength test (Test C)

- 7.1. For vehicles of category N₂ with a gross vehicle mass exceeding 7,5 t and of category N₃, both tests as described in paragraphs 7.3 and 7.4 below, in that order, shall be conducted on the same cab.
- 7.2. For vehicles of category N₂ with a gross vehicle mass not exceeding 7,5 t and of category N₁, only the test as described in paragraph 7.4 below shall be conducted.
- 7.3. Dynamic pre-loading of vehicles of category N₂ with a gross vehicle mass exceeding 7,5 t and of category N₃ (see P₁ on figure 3).
- 7.3.1. The impactor shall be rigid and its mass shall be evenly distributed; its mass shall not be less than 1 500 kg.
- 7.3.2. The striking surface of the impactor shall be rectangular and flat. Its dimensions shall be sufficiently large such that, when positioned in accordance with paragraph 7.3.3 below, no contact will occur between the cab and the edges of the impactor.
- 7.3.3. The impactor and/or the cab shall be so positioned that, at the time of impact:
- 7.3.3.1. the striking face of the impactor is at an angle of 20° to the median longitudinal plane of the cab. Either the impactor or the cab may be tilted;
- 7.3.3.2. the striking face of the impactor covers the whole length of the top side of the cab;
- 7.3.3.3. the median longitudinal line of the impactor is horizontal and parallel to the median longitudinal plane of the cab.
- 7.3.4. The impactor shall strike the upper side of the cab such that at the time of the impact the prescriptions of paragraph 7.3.3 above are satisfied. The direction of impact shall be perpendicular to the surface of the impactor and perpendicular to the median longitudinal line of the cab. Either the impactor or the cab may be moving, as long as the positioning requirements are satisfied.

- 7.3.5. The impact energy shall be minimum 17,6 kJ.
- 7.4. Roof strength test (see P₂ on figure 3)
- 7.4.1. The loading device shall be made of steel and its mass shall be evenly distributed.
- 7.4.2. The loading face of the device shall be rectangular and flat. Its dimensions shall be sufficiently large such that, when positioned in accordance with paragraph 7.4.4 below, no contact will occur between the cab and the edges of the device.
- 7.4.3. A linear bearing system may be included between the device and its supporting structure to allow for lateral motion of the cab roof away from the side that was impacted in the pre-load phase of paragraph 6.3, if applicable.
- 7.4.4. The loading device shall be so positioned that, during the test:
- 7.4.4.1. it is parallel to the x-y plane of the chassis;
- 7.4.4.2. it moves parallel to the vertical axis of the chassis;
- 7.4.4.3. its loading face covers the whole area of the cab roof.
- 7.4.5. A static load shall be applied by the loading device to the roof of the cab, corresponding to the maximum mass authorised for the front axle or axles of the vehicle, subject to a maximum of 98 kN.
-

Appendix 1

INSTRUCTIONS FOR SECURING VEHICLES TO THE TEST BED**1. Frontal impact**

Test A shall be applied to a cab mounted on the vehicle in the following way (see figure 1 below).

1.1. Anchoring chains or ropes

Each anchoring chain or rope shall be of steel and shall be capable of withstanding a tractive load of at least 10 tons.

1.2. Blocking of the chassis frame

The longitudinal members of the chassis frame shall be supported on wooden blocks across their full width and over a length of not less than 150 mm. The front edges of the blocks must not be situated forward of the rearmost point of the cab, nor rearward of the mid-point of the wheel base. At the manufacturer's request the chassis frame shall be set in the attitude it takes up when loaded.

1.3. Longitudinal attachment

Rearward movement of the chassis frame shall be limited by chains or ropes A attached to the front of the chassis frame symmetrically in relation to its longitudinal axis, the points of attachment being not less than 600 mm apart. The chains or ropes shall when tensioned form a downward angle of not more than 25° with the horizontal and their projection on a horizontal plane shall form an angle of not more than 10° with the longitudinal axis of the vehicle. The chains or ropes may cross one another.

1.4. Lateral attachment

Lateral movement shall be limited by chains or ropes B attached to the chassis frame symmetrically in relation to its longitudinal axis. The points of attachment to the chassis shall be not more than 5 m and not less than 3 m from the front of the vehicle. The chains or ropes shall when tensioned form a downward angle of not more than 20° with the horizontal and their projection on a horizontal plane shall form an angle of not less than 25° and not more than 45° with the longitudinal axis of the vehicle.

1.5. Tensioning of chains or ropes and rear attachment

The chain or rope C shall, to begin with, be placed under a load of approximately 1 kN. All slack in the four chains or ropes A and B shall then be taken up and chain or rope C shall be subjected to a tensile stress of not less than 10 kN. The angle of chain or rope C with the horizontal shall not exceed 15°. A vertical blocking force of not less than 500 N shall be applied at point D between the chassis frame and the ground.

1.6. Equivalent mounting

At the request of the manufacturer the test may be carried out with the cab mounted on a special frame, on condition that this method of mounting is shown to be equivalent to mounting on the vehicle.

2. Front pillars impact**2.1. Cab mounted on the vehicle (see fig. 1)**

Measures shall be taken to ensure that the vehicle does not shift appreciably during the test. For this purpose the hand-brake shall be applied, a gear engaged and the front wheels wedged with chocks.

2.2. Cab mounted on a frame

Measures shall be taken to ensure that the cab does not shift appreciably during the test.

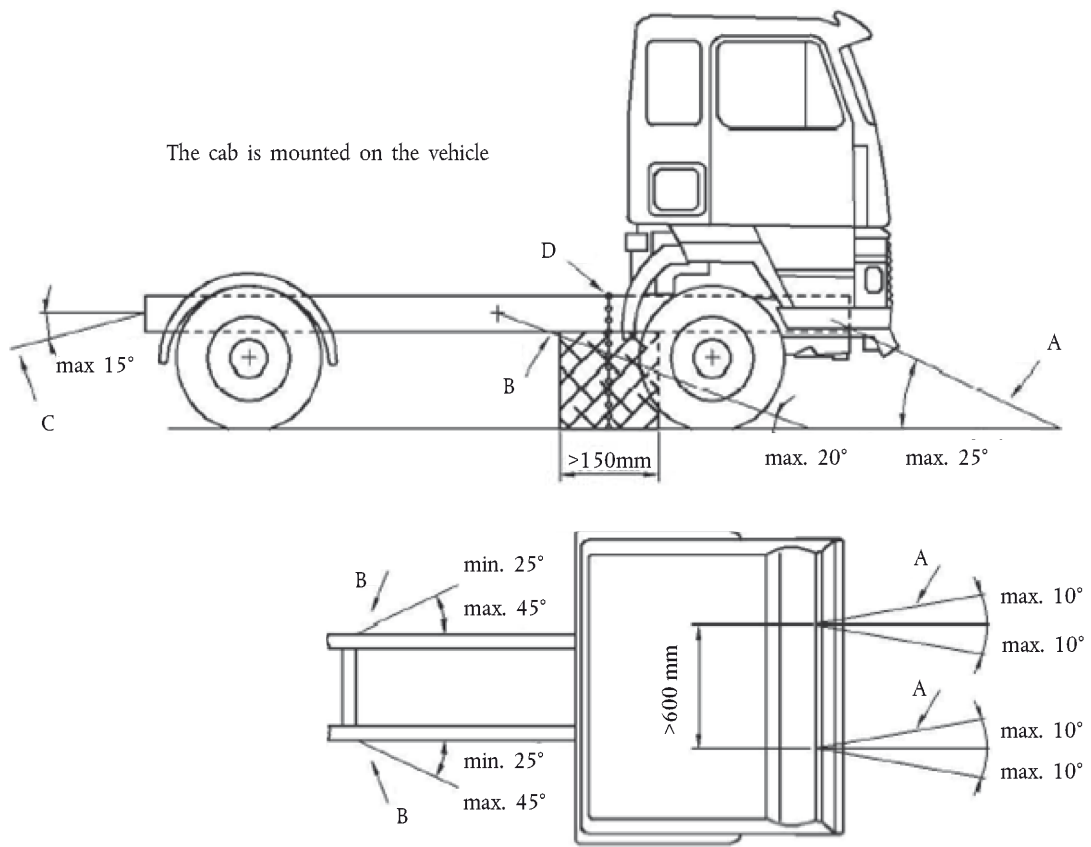
3. Roof strength**3.1. Cab mounted on the vehicle**

Measures shall be taken to ensure that the vehicle does not shift appreciably during the test. For this purpose the hand-brake shall be applied, a gear engaged and the front wheels wedged with chocks. Deformation of the various components of the suspension (springs, tyres, etc.) shall be eliminated by means of rigid members.

3.2. Cab mounted on a frame

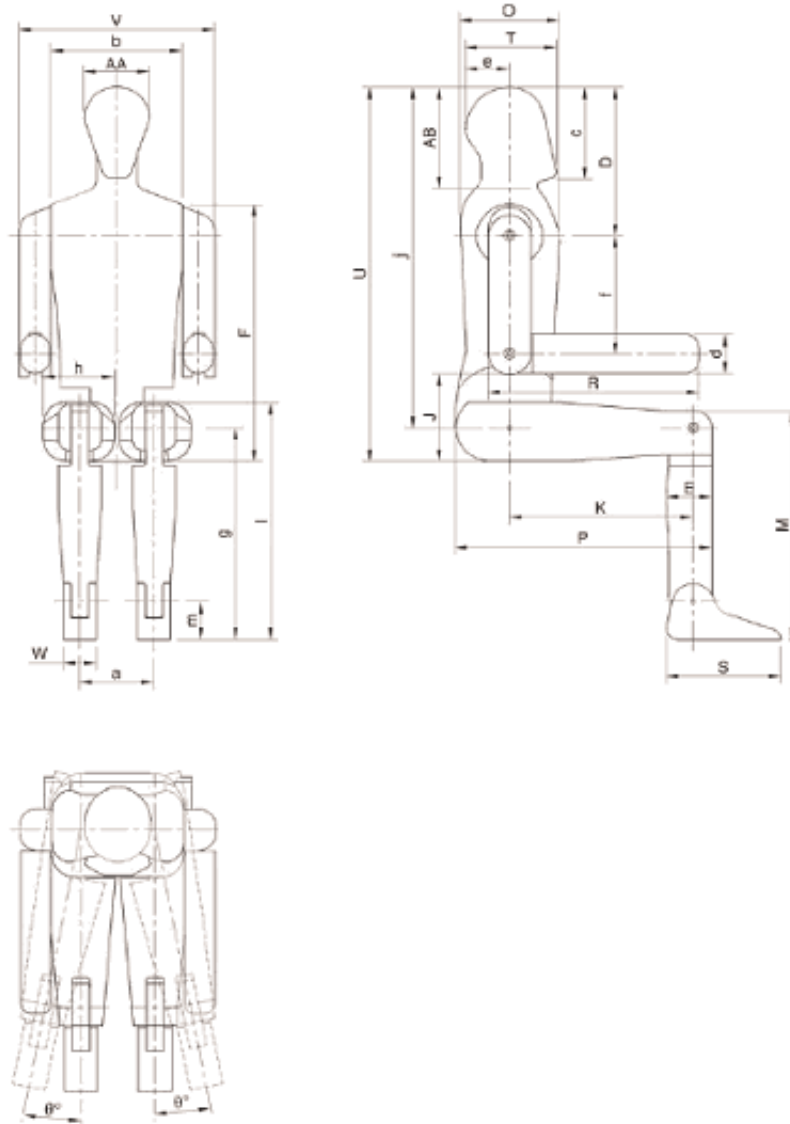
Measures shall be taken to ensure that the frame does not shift appreciably during the test.

Figure 1
Front impact test



Appendix 2

MANIKIN TO BE USED TO VERIFY THE SURVIVAL SPACE



Dimensions		
Name	Description	Dimension (in mm)
AA	Breadth of head	153
AB	Combined height of head and neck	244
D	Distance from top of head to shoulder pivot	359
E	Calf depth	106
F	Height from seat to top of shoulder	620
J	Height of elbow rest	210
M	Knee height	546
O	Chest depth	230
P	Distance from seat back to knee	595
R	Distance from elbow to fingertip	490
S	Length of foot	266
T	Length of head	211
U	Height from seat to top of head	900
V	Shoulder breadth	453
W	Breadth of foot	77
a	Distance between hip point centres	172
b	Chest breadth	305
c	Height of head and chin	221
d	Forearm thickness	94
e	Distance between vertical centreline of torso and rear of head	102
f	Distance between shoulder pivot and elbow pivot	283
g	Knee pivot height from ground	505
h	Thigh breadth	165
i	Lap height (Sitting)	565
j	Distance from top of head to 'H' point	819
k	Distance between hip pivot and knee pivot	426
m	Ankle pivot height from ground	89
ø	Lateral rotation of the legs	20

ANNEX 4

PROCEDURE FOR DETERMINING THE 'H' POINT AND THE ACTUAL TORSO ANGLE FOR SEATING POSITIONS IN MOTOR VEHICLES**1. Purpose**

The procedure described in this Annex is used to establish the 'H' point location and the actual torso angle for one or several seating positions in a motor vehicle and to verify the relationship of measured data to design specifications given by the vehicle manufacturer ⁽¹⁾.

2. Definitions

For the purposes of this Annex:

- 2.1. 'Reference data' means one or several of the following characteristics of a seating position:
 - 2.1.1. the 'H' point and the 'R' point and their relationship;
 - 2.1.2. the actual torso angle and the design torso angle and their relationship.
- 2.2. 'Three-dimensional "H" point machine' (3-D H machine) means the device used for the determination of 'H' points and actual torso angles. This device is described in Appendix 1 to this Annex.
- 2.3. 'H point' means the pivot centre of the torso and thigh of the 3-D H machine installed in the vehicle seat in accordance with paragraph 4 below. The 'H' point is located in the centre of the centreline of the device which is between the 'H' point sight buttons on either side of the 3-D H machine. The 'H' point corresponds theoretically to the 'R' point (for tolerances see paragraph 3.2.2 below). Once determined in accordance with the procedure described in paragraph 4, the 'H' point is considered fixed in relation to the seat-cushion structure and to move with it when the seat is adjusted.
- 2.4. 'R point' or 'seating reference point' means a design point defined by the vehicle manufacturer for each seating position and established with respect to the three-dimensional reference system.
- 2.5. 'Torso-line' means the centreline of the probe of the 3-D H machine with the probe in the fully rearward position.
- 2.6. 'Actual torso angle' means the angle measured between a vertical line through the 'H' point and the torso line using the back angle quadrant on the 3-D H machine. The actual torso angle corresponds theoretically to the design torso angle (for tolerances see paragraph 3.2.2 below).
- 2.7. 'Design torso angle' means the angle measured between a vertical line through the 'R' point and the torso line in a position which corresponds to the design position of the seat-back established by the vehicle manufacturer.
- 2.8. 'Centre plane of occupant' (C/LO) means the median plane of the 3-D H machine positioned in each designated seating position; it is represented by the coordinate of the 'H' point on the 'Y' axis. For individual seats, the centre plane of the seat coincides with the centre plane of the occupant. For other seats, the centre plane of the occupant is specified by the manufacturer.
- 2.9. 'Three dimensional reference system' means a system as described in Appendix 2 to this Annex.
- 2.10. 'Fiducial marks' are physical points (holes, surfaces, marks or indentations) on the vehicle body as defined by the manufacturer.
- 2.11. 'Vehicle measuring attitude' means the position of the vehicle as defined by the coordinates of fiducial marks in the three-dimensional reference system.

3. Requirements**3.1. Data presentation**

For each seating position where reference data are required in order to demonstrate compliance with the provisions of the present Regulation, all or an appropriate selection of the following data shall be presented in the form indicated in Appendix 3 to this Annex:

- 3.1.1. the coordinates of the 'R' point relative to the three-dimensional reference system;
- 3.1.2. the design torso angle;

⁽¹⁾ In any seating position other than front seats where the 'H' point cannot be determined using the 'three-dimensional "H" point machine' or procedures, the 'R' point indicated by the manufacturer may be taken as a reference at the discretion of the competent authority.

- 3.1.3. all indications necessary to adjust the seat (if it is adjustable) to the measuring position set out in paragraph 4.3 below.
- 3.2. Relationship between measured data and design specifications
- 3.2.1. The coordinates of the 'H' point and the value of the actual torso angle obtained by the procedure set out in paragraph 4 below shall be compared, respectively, with the coordinates of the 'R' point and the value of the design torso angle indicated by the vehicle manufacturer.
- 3.2.2. The relative positions of the 'R' point and the 'H' point and the relationship between the design torso angle and the actual torso angle shall be considered satisfactory for the seating position in question if the 'H' point, as defined by its coordinates, lies within a square of 50 mm side length with horizontal and vertical sides whose diagonals intersect at the 'R' point, and if the actual torso angle is within 5 degree of the design torso angle.
- 3.2.3. If these conditions are met, the 'R' point and the design torso angle, shall be used to demonstrate compliance with the provisions of this Regulation.
- 3.2.4. If the 'H' point or the actual torso angle does not satisfy the requirements of paragraph 3.2.2 above, the 'H' point and the actual torso angle shall be determined twice more (three times in all). If the results of two of these three operations satisfy the requirements, the conditions of paragraph 3.2.3 above shall apply.
- 3.2.5. If the results of at least two of the three operations described in paragraph 3.2.4 above do not satisfy the requirements of paragraph 3.2.2 above, or if the verification cannot take place because the vehicle manufacturer has failed to supply information regarding the position of the 'R' point or regarding the design torso angle, the centroid of the three measured points or the average of the three measured angles shall be used and be regarded as applicable in all cases where the 'R' point or the design torso angle is referred to in this Regulation.

4. Procedure for 'H' Point and actual Torso Angle Determination

- 4.1. The vehicle shall be preconditioned at the manufacturer's discretion, at a temperature of 20 ± 10 °C to ensure that the seat material reaches room temperature. If the seat to be checked has never been sat upon, a 70 to 80 kg person or device shall sit on the seat twice for one minute to flex the cushion and back. At the manufacturer's request, all seat assemblies shall remain unloaded for a minimum period of 30 minutes prior to installation of the 3-D H machine.
- 4.2. The vehicle shall be at the measuring attitude defined in paragraph 2.11 above.
- 4.3. The seat, if it is adjustable, shall be adjusted first to the rearmost normal driving or riding position, as indicated by the vehicle manufacturer, taking into consideration only the longitudinal adjustment of the seat, excluding seat travel used for purposes other than normal driving or riding positions. Where other modes of seat adjustment exist (vertical, angular, seat-back, etc.) these will be then adjusted to the position specified by the vehicle manufacturer. For suspension seats, the vertical position shall be rigidly fixed corresponding to a normal driving position as specified by the manufacturer.
- 4.4. The area of the seating position contacted by the 3-D H machine shall be covered by a muslin cotton, of sufficient size and appropriate texture, described as a plain cotton fabric having 18.9 threads per cm² and weighing 0,228 kg m² or knitted or non-woven fabric having equivalent characteristics.
- If the test is run on a seat outside the vehicle, the floor on which the seat is placed shall have the same essential characteristics ⁽¹⁾ as the floor of the vehicle in which the seat is intended to be used.
- 4.5. Place the seat and back assembly of the 3-D H machine so that the centre plane of the occupant (C/LO) coincides with the centre plane of the 3-D H machine. At the manufacturer's request, the 3-D H machine may be moved inboard with respect to the C/LO if the 3-D H machine is located so far outboard that the seat edge will not permit levelling of the 3-D H machine.
- 4.6. Attach the foot and lower leg assemblies to the seat pan assembly, either individually or by using the T-bar and lower leg assembly. A line through the 'H' point sight buttons shall be parallel to the ground and perpendicular to the longitudinal centre plane of the seat.

- 4.7. Adjust the feet and leg positions of the 3-D H machine as follows:

- 4.7.1. Designated seating position: driver and outside front passenger.

⁽¹⁾ Tilt angle, height difference with a seat mounting, surface texture, etc.

- 4.7.1.1. Both feet and leg assemblies shall be moved forward in such a way that the feet take up natural positions on the floor, between the operating pedals if necessary. Where possible the left foot shall be located approximately the same distance to the left of the centre plane of the 3-D H machine as the right foot is to the right. The spirit level verifying the transverse orientation of the 3-D H machine is brought to the horizontal by readjustment of the seat pan if necessary, or by adjusting the leg and foot assemblies towards the rear. The line passing through the 'H' point sight buttons shall be maintained perpendicular to the longitudinal centre plane of the seat.
- 4.7.1.2. If the left leg cannot be kept parallel to the right leg and the left foot cannot be supported by the structure, move the left foot until it is supported. The alignment of the sight buttons shall be maintained.
- 4.7.2. Designated seating position: outboard rear

For rear seats or auxiliary seats, the legs are located as specified by the manufacturer. If the feet then rest on parts of the floor which are at different levels, the foot which first comes into contact with the front seat shall serve as a reference and the other foot shall be so arranged that the spirit level giving the transverse orientation of the seat of the device indicates the horizontal.

- 4.7.3. Other designated seating positions:

The general procedure indicated in paragraph 4.7.1 above shall be followed except that the feet shall be placed as specified by the vehicle manufacturer.

- 4.8. Apply lower leg and thigh weights and level the 3-D H machine.
- 4.9. Tilt the back pan forward against the forward stop and draw the 3-D H machine away from the seat-back using the T-bar. Reposition the 3-D H machine on the seat by one of the following methods:
- 4.9.1. If the 3-D H machine tends to slide rearward, use the following procedure. Allow the 3-D H machine to slide rearward until a forward horizontal restraining load on the T-bar is no longer required i.e. until the seat pan contacts the seat-back. If necessary, reposition the lower leg.
- 4.9.2. If the 3-D H machine does not tend to slide rearward, use the following procedure. Slide the 3-D H machine rearwards by applying a horizontal rearward load to the T-bar until the seat pan contacts the seat-back (see figure 2 of Appendix 1 to this Annex).
- 4.10. Apply a 100 ± 10 N load to the back and seat pan assembly of the 3-D H machine at the intersection of the hip angle quadrant and the T-bar housing. The direction of load application shall be maintained along a line passing by the above intersection to a point just above the thigh bar housing (see figure 2 of Appendix 1 to this Annex). Then carefully return the back pan to the seat-back. Care must be exercised throughout the remainder of the procedure to prevent the 3-D H machine from sliding forward.
- 4.11. Install the right and left buttock weights and then, alternately, the eight torso weights. Maintain the 3-D H machine level.
- 4.12. Tilt the back pan forward to release the tension on the seat-back. Rock the 3-D H machine from side to side through 10 degrees arc (5 degrees to each side of the vertical centre plane) for three complete cycles to release any accumulated friction between the 3-D H machine and the seat.

During the rocking action, the T-bar of the 3-D H machine may tend to diverge from the specified horizontal and vertical alignment. The T-bar must therefore be restrained by applying an appropriate lateral load during the rocking motions. Care shall be exercised in holding the T-bar and rocking the 3-D H machine to ensure that no inadvertent exterior loads are applied in a vertical or fore and aft direction.

The feet of the 3-D H machine are not to be restrained or held during this step. If the feet change position, they should be allowed to remain in that attitude for the moment.

Carefully return the back pan to the seat-back and check the two spirit levels for zero position. If any movement of the feet has occurred during the rocking operation of the 3-D H machine, they must be repositioned as follows:

Alternately, lift each foot off the floor the minimum necessary amount until no additional foot movement is obtained. During this lifting, the feet are to be free to rotate; and no forward or lateral loads are to be applied. When each foot is placed back in the down position, the heel is to be in contact with the structure designed for this.

Check the lateral spirit level for zero position; if necessary, apply a lateral load to the top of the back pan sufficient to level the 3-D H machine's seat pan on the seat.

- 4.13. Holding the T-bar to prevent the 3-D H machine from sliding forward on the seat cushion, proceed as follows:
- (a) return the back pan to the seat-back;
 - (b) alternately apply and release a horizontal rearward load, not to exceed 25 N, to the back angle bar at a height approximately at the centre of the torso weights until the hip angle quadrant indicates that a stable position has been reached after load release. Care shall be exercised to ensure that no exterior downward or lateral loads are applied to the 3-D H machine. If another level adjustment of the 3-D H machine is necessary, rotate the back pan forward, re-level, and repeat the procedure from paragraph 4.12.
- 4.14. Take all measurements:
- 4.14.1. The coordinates of the 'H' point are measured with respect to the three-dimensional reference system.
 - 4.14.2. The actual torso angle is read at the back angle quadrant of the 3-D H machine with the probe in its fully rearward position.
 - 4.15. If a re-run of the installation of the 3-D H machine is desired, the seat assembly should remain unloaded for a minimum period of 30 minutes prior to the re-run. The 3-D H machine should not be left loaded on the seat assembly longer than the time required to perform the test.
 - 4.16. If the seats in the same row can be regarded as similar (bench seat, identical seats, etc.) only one 'H' point and one 'actual torso angle' shall be determined for each row of seats, the 3-D H machine described in Appendix 1 to this Annex being seated in a place regarded as representative for the row. This place shall be:
 - 4.16.1. in the case of the front row, the driver's seat;
 - 4.16.2. in the case of the rear row or rows, an outer seat.
-

Appendix 1

DESCRIPTION OF THE THREE-DIMENSIONAL 'H' POINT MACHINE ⁽¹⁾

(3-D H machine)

1. Back and seat pans

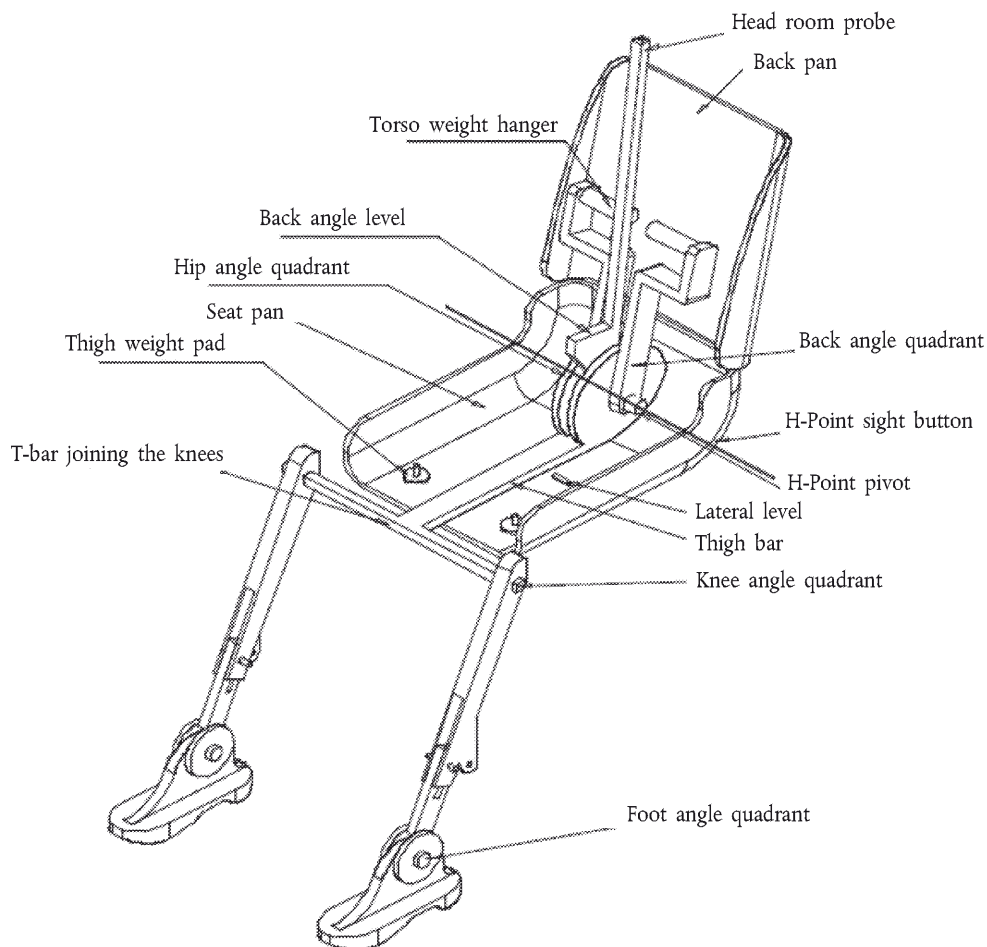
The back and seat pans are constructed of reinforced plastic and metal; they simulate the human torso and thigh and are mechanically hinged at the 'H' point. A quadrant is fastened to the probe hinged at the 'H' point to measure the actual torso angle. An adjustable thigh bar, attached to the seat pan, establishes the thigh centreline and serves as a baseline for the hip angle quadrant.

2. Body and leg elements

Lower leg segments are connected to the seat pan assembly at the T-bar joining the knees, which is a lateral extension of the adjustable thigh bar. Quadrants are incorporated in the lower leg segments to measure knee angles. Shoe and foot assemblies are calibrated to measure the foot angle. Two spirit levels orient the device in space. Body element weights are placed at the corresponding centres of gravity to provide seat penetration equivalent to a 76 kg male. All joints of the 3-D H machine should be checked for free movement without encountering noticeable friction.

Figure 1

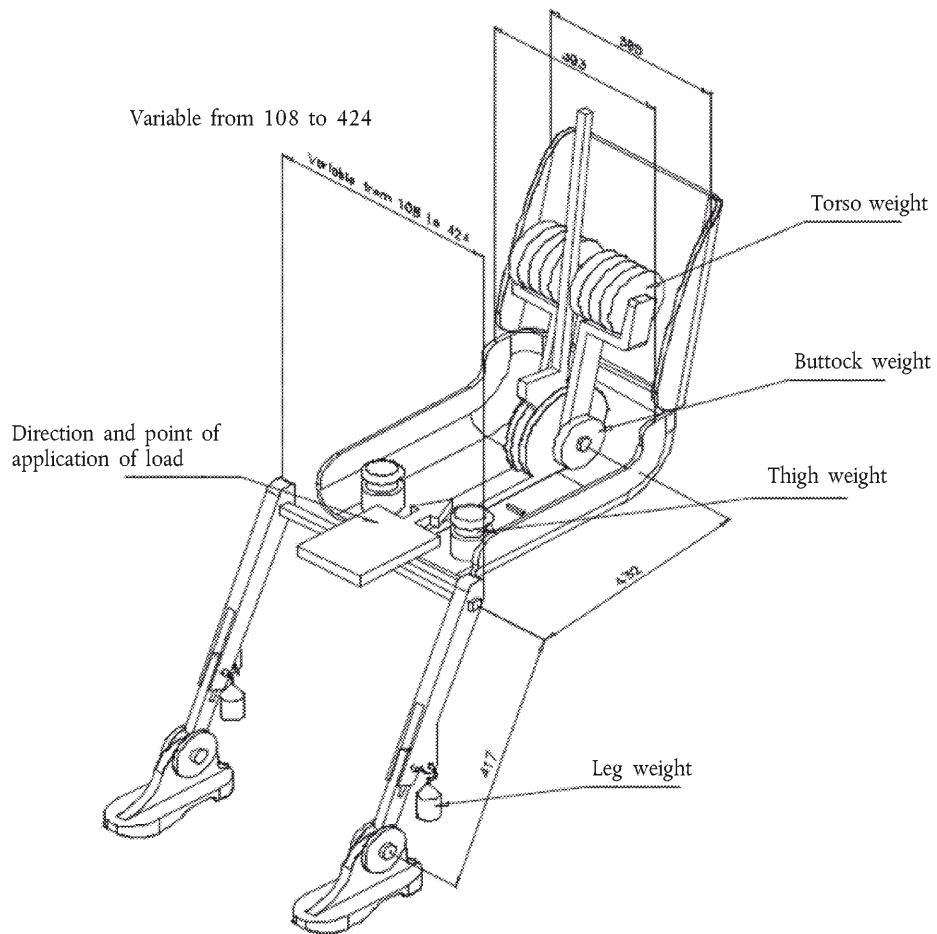
3-D H machine elements designation



⁽¹⁾ For details of the construction of the 3-D H machine refer to Society of Automotive Engineers (SAE), 400 Commonwealth Drive, Warrendale, Pennsylvania 15096, United States of America. The machine corresponds to that described in ISO Standard 6549: 1980.

Figure 2

Dimensions of the 3-D H machine elements and load distribution

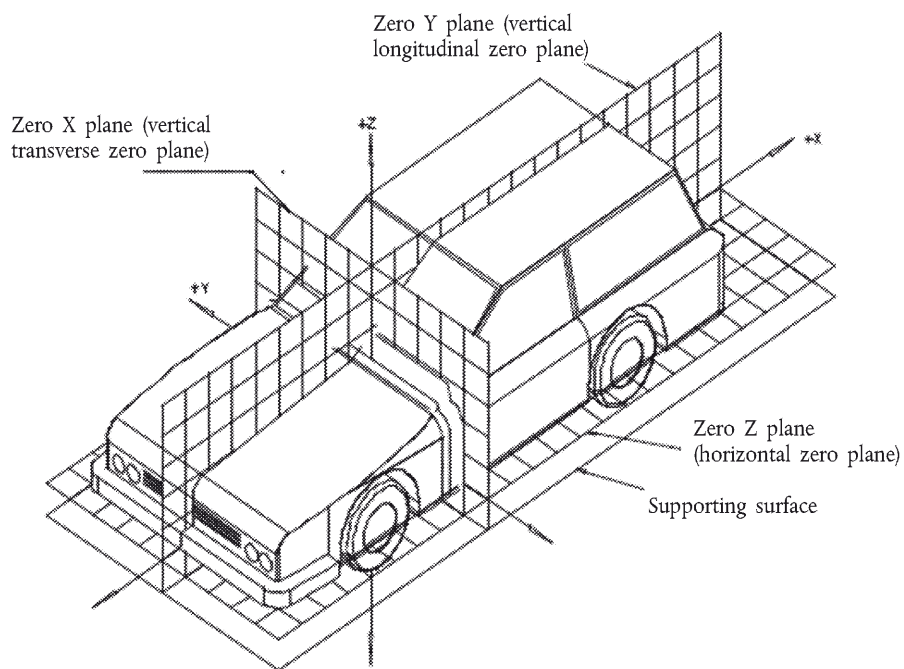


(dimensions in millimetres)

Appendix 2

THREE-DIMENSIONAL REFERENCE SYSTEM

1. The three-dimensional reference system is defined by three orthogonal planes established by the vehicle manufacturer (see figure) ⁽¹⁾.
2. The vehicle measuring attitude is established by positioning the vehicle on the supporting surface such that the coordinates of the fiducial marks correspond to the values indicated by the manufacturer.
3. The coordinates of the 'R' point and the 'H' point are established in relation to the fiducial marks defined by the vehicle manufacturer.



⁽¹⁾ The reference system corresponds to ISO standard 4130, 1978.

ANNEX 5

REFERENCE DATA CONCERNING SEATING POSITIONS

1. **Coding of reference data**

Reference data are listed consecutively for each seating position. Seating positions are identified by a two-digit code. The first digit is an Arabic numeral and designates the row of seats, counting from the front to the rear of the vehicle. The second digit is a capital letter which designates the location of the seating position in a row, as viewed in the direction of forward motion of the vehicle; the following letters shall be used:

L = left

C = centre

R = right

2. **Description of vehicle measuring attitude**

2.1. Coordinates of fiducial marks

X

Y

Z

3. **List of reference data**

3.1. Seating position:

3.1.1. Coordinates of 'R' point

X

Y

Z

3.1.2. Design torso angle:

3.1.3. Specification for seat adjustment ⁽¹⁾

horizontal:

vertical:

angular:

torso angle:

Note: List reference data for further seating positions under 3.2, 3.3, etc.

⁽¹⁾ Strike out what does not apply.